



US00D842105S

(12) **United States Design Patent**  
**Willemstyn**

(10) **Patent No.:** **US D842,105 S**  
(45) **Date of Patent:** **\*\* Mar. 5, 2019**

- (54) **CONNECTOR CAP FOR TUBES**
- (71) Applicant: **PAW BioScience Products, LLC**,  
Eatontown, NJ (US)
- (72) Inventor: **Benjamin R. Willemstyn**, Little Silver,  
NJ (US)
- (73) Assignee: **PAW BioScience Products, LLC**,  
Eatontown, NJ (US)
- (\*\*) Term: **15 Years**
- (21) Appl. No.: **29/637,601**
- (22) Filed: **Feb. 20, 2018**
- (51) **LOC (11) Cl.** ..... **09-07**
- (52) **U.S. Cl.**  
USPC ..... **D9/436**
- (58) **Field of Classification Search**  
USPC ..... D9/414, 416, 425, 434, 435, 436, 438,  
D9/439, 440, 442, 443, 446-450,  
D9/452-457, 499, 503-505, 682, 685,  
D9/686; D7/387, 391, 392, 392.1, 393,  
D7/394, 396.1-396.4, 401.1, 503-505,  
D7/509-511, 538, 900; D3/201, 202,  
D3/203.2, 318; D28/91, 91.1; D23/259,  
D23/260; D24/112, 127  
CPC .. A61J 1/00; A61J 1/1412; B65D 1/00; B65D  
1/02; B65D 1/10; B65D 1/46; B65D  
2585/56; B65D 2585/545; B65D 41/00;  
B65D 41/38; B65D 41/56; B65D 41/62;  
B65D 47/00; B65D 47/06; B65D 47/08;  
B65D 2543/00046; B65D 2543/00092;  
B65D 2543/00296; B65D 5/46; B65D  
2251/00  
See application file for complete search history.

(56) **References Cited**  
U.S. PATENT DOCUMENTS

- D29,141 S \* 8/1898 Dewey ..... D24/112
- 3,855,997 A \* 12/1974 Sauer ..... A61B 10/0045  
215/309

- D271,804 S \* 12/1983 Momoda ..... D24/117
- 4,443,220 A \* 4/1984 Hauer ..... A61M 1/0001  
604/319
- D306,266 S \* 2/1990 Hargrove ..... D24/224
- 4,934,545 A \* 6/1990 Pezzoli ..... A61J 1/1406  
215/250
- D336,043 S \* 6/1993 Provencio ..... D7/300.2
- D374,481 S \* 10/1996 McCallister ..... D24/118

(Continued)

*Primary Examiner* — Michael A. Pratt  
*Assistant Examiner* — Wendy L Arminio  
(74) *Attorney, Agent, or Firm* — Drinker Biddle & Reath  
LLP

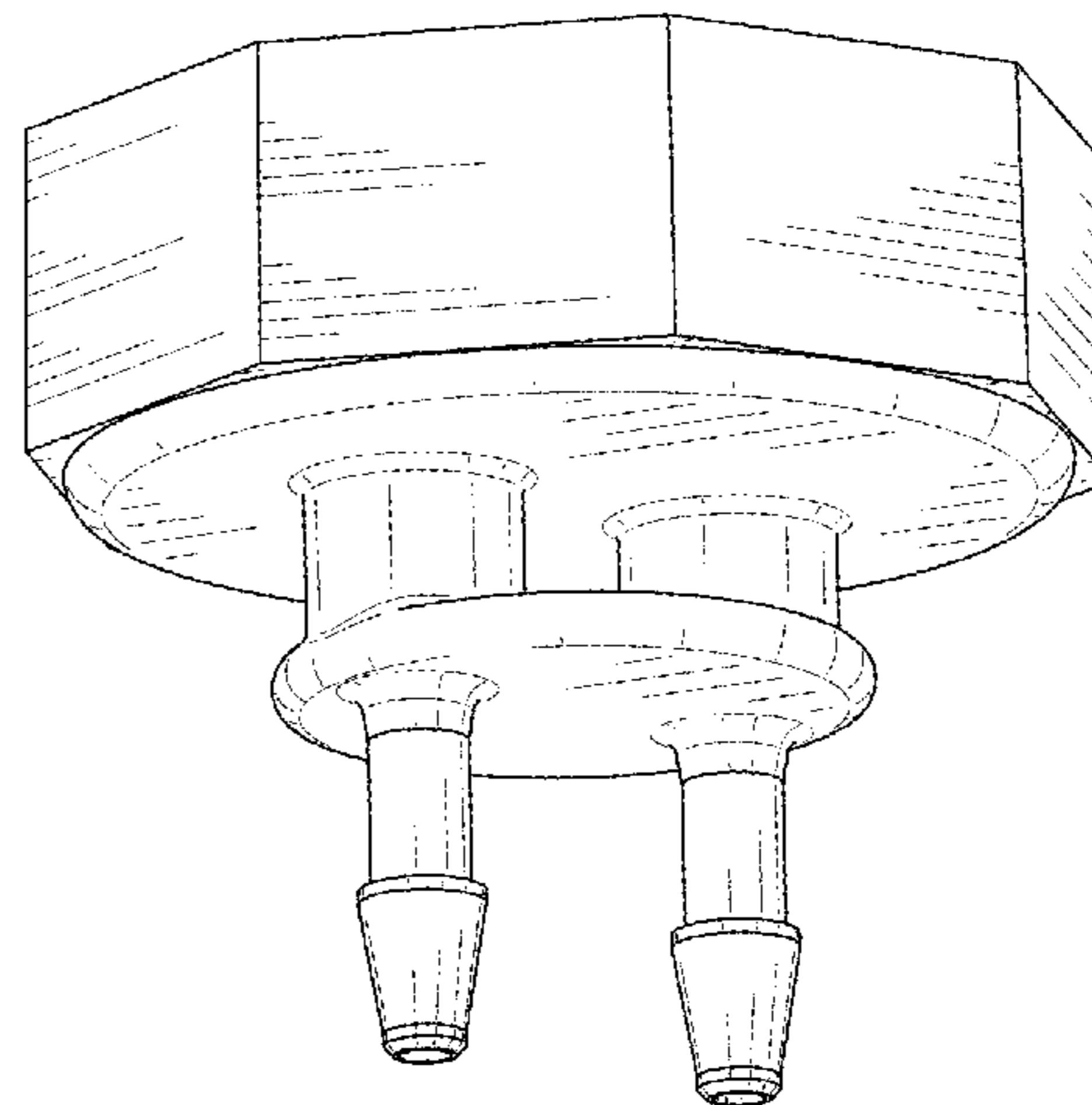
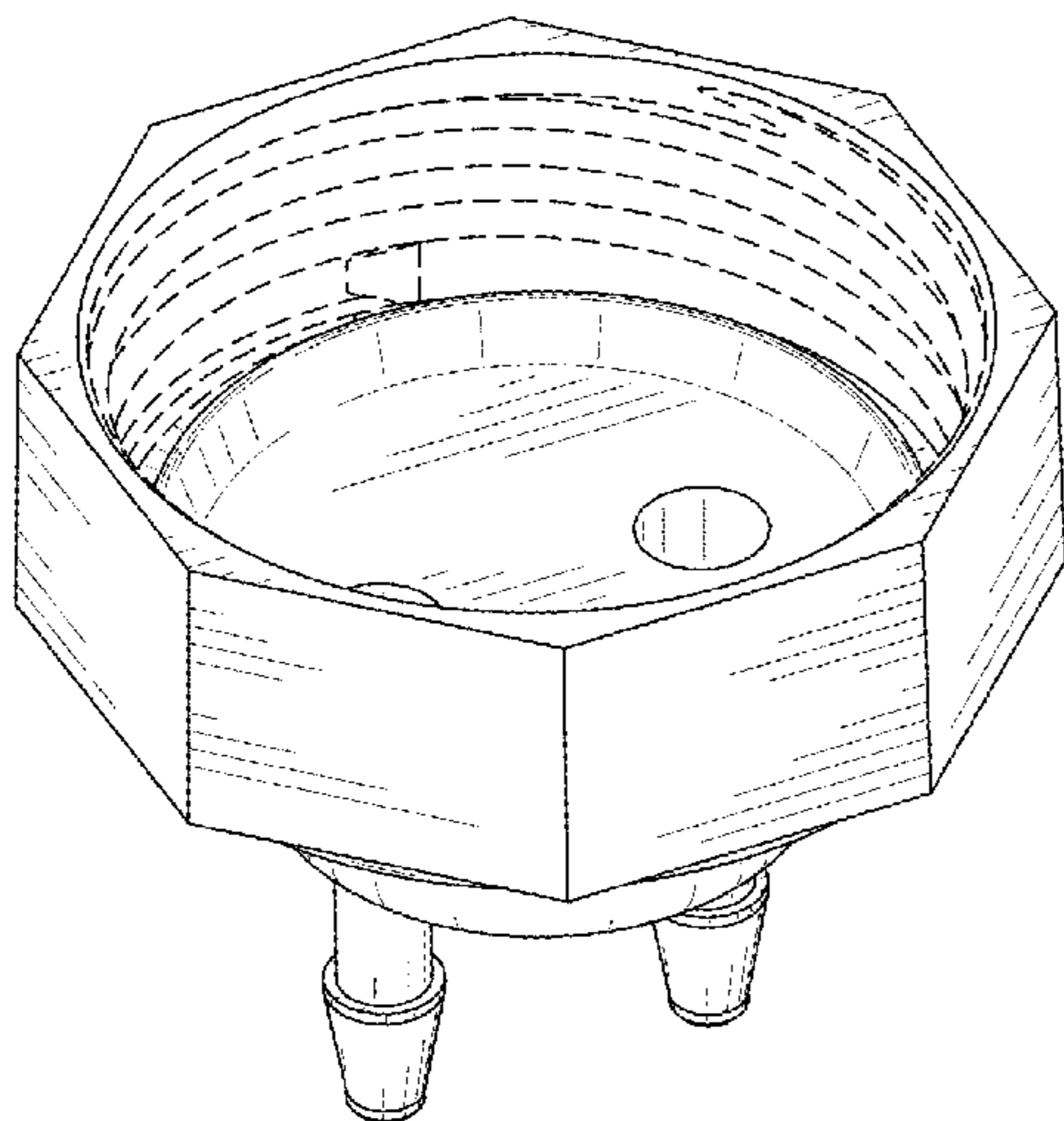
(57) **CLAIM**

The ornamental design for a connector cap for tubes, as shown and described.

**DESCRIPTION**

FIG. 1 is a top perspective view of a connector cap for tubes according to the present invention.  
FIG. 2 is a top view of the connector cap for tubes of FIG. 1.  
FIG. 3 is a bottom view of the connector cap for tubes of FIG. 1.  
FIG. 4 is a front side view of the connector cap for tubes of FIG. 1.  
FIG. 5 is a back side view of the connector cap for tubes of FIG. 1.  
FIG. 6 is a left side view of the connector cap for tubes of FIG. 1.  
FIG. 7 is a right side view of the connector cap for tubes of FIG. 1; and,  
FIG. 8 is a bottom perspective view of the connector cap for tubes of FIG. 1.  
The portions of the drawings shown in dashed lines are for environment only and do not form a part of the claimed design.

**1 Claim, 5 Drawing Sheets**



(56)

References Cited

U.S. PATENT DOCUMENTS

5,624,418 A \* 4/1997 Shepard ..... A61M 1/0056  
210/232  
5,730,322 A \* 3/1998 Iba ..... B65D 47/265  
222/212  
D399,097 S \* 10/1998 Yang ..... D7/598  
D423,354 S \* 4/2000 Lin ..... D32/31  
D433,275 S \* 11/2000 Betras ..... D7/392.1  
D435,194 S \* 12/2000 Betras ..... D7/510  
D480,632 S \* 10/2003 Williams ..... D9/723  
D503,778 S \* 4/2005 Wicks ..... D23/259  
6,893,428 B2 5/2005 Willemstyn  
D590,255 S \* 4/2009 Maxwell ..... D9/447  
7,950,700 B2 5/2011 Willemstyn et al.  
D649,240 S \* 11/2011 Lewis ..... D24/129  
D669,365 S \* 10/2012 Hanai ..... D9/684  
8,465,439 B2 \* 6/2013 Parks ..... A61B 10/0096  
600/562  
D705,059 S \* 5/2014 Hutchison ..... D9/447  
D706,135 S 6/2014 Hutchison et al.  
D706,631 S \* 6/2014 Wilson ..... D9/436  
D750,962 S \* 3/2016 Liu ..... D6/542  
D771,832 S \* 11/2016 Yeager ..... D24/224  
D820,996 S \* 6/2018 Knaus ..... C12M 23/08  
D24/224  
2011/0204621 A1 \* 8/2011 Whitaker ..... A61M 39/10  
285/305

\* cited by examiner

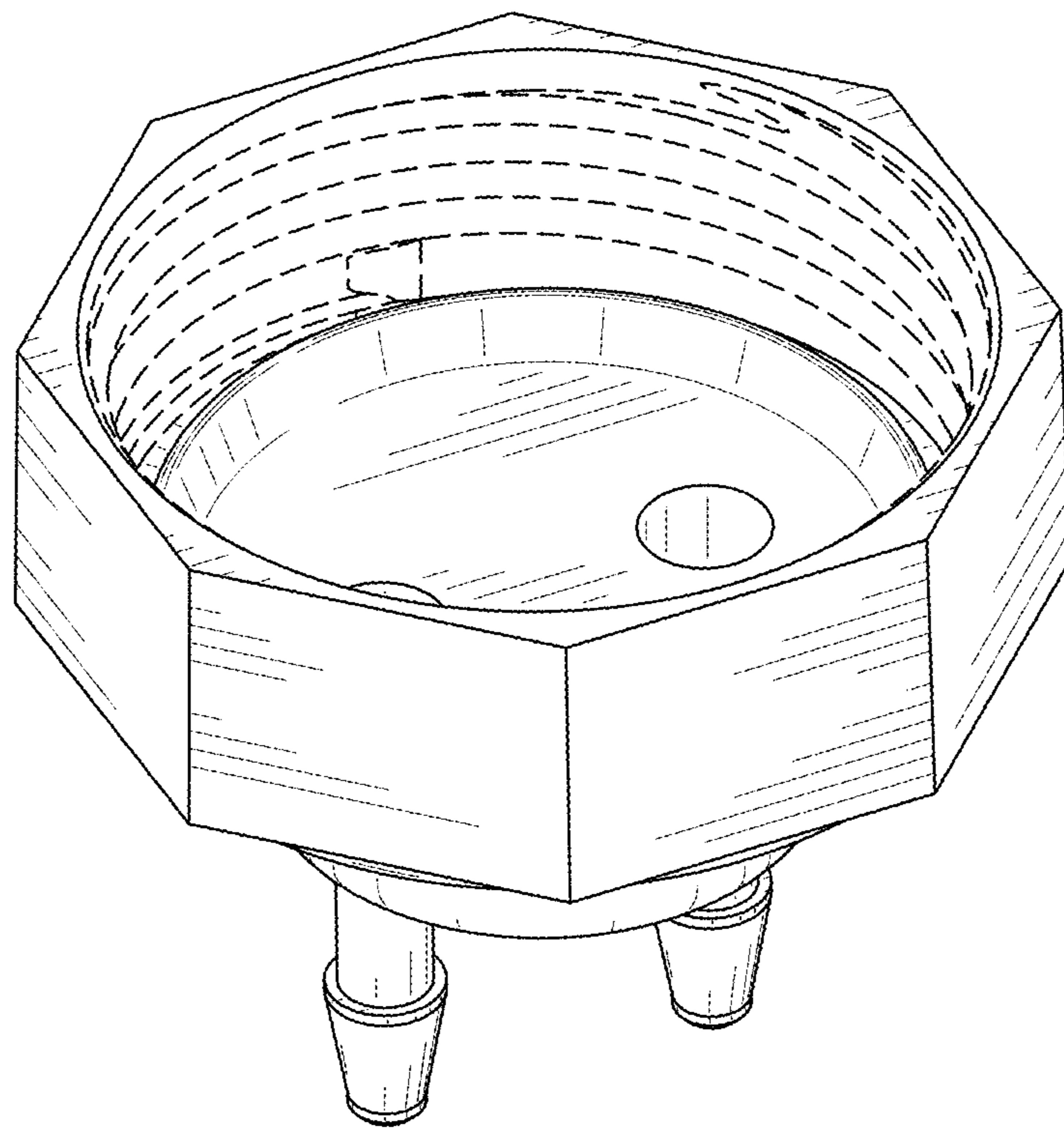


FIG. 1

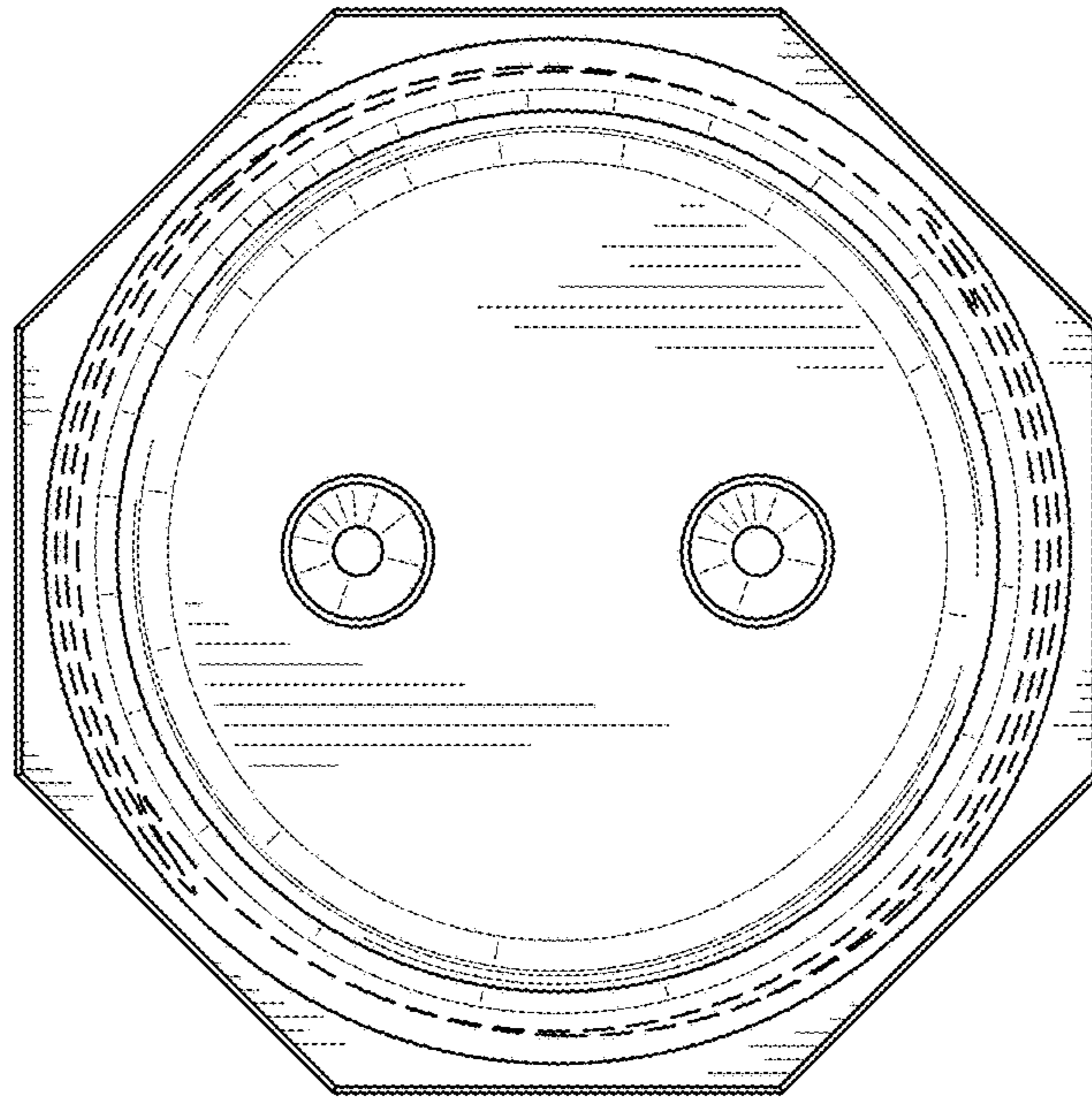


FIG. 2

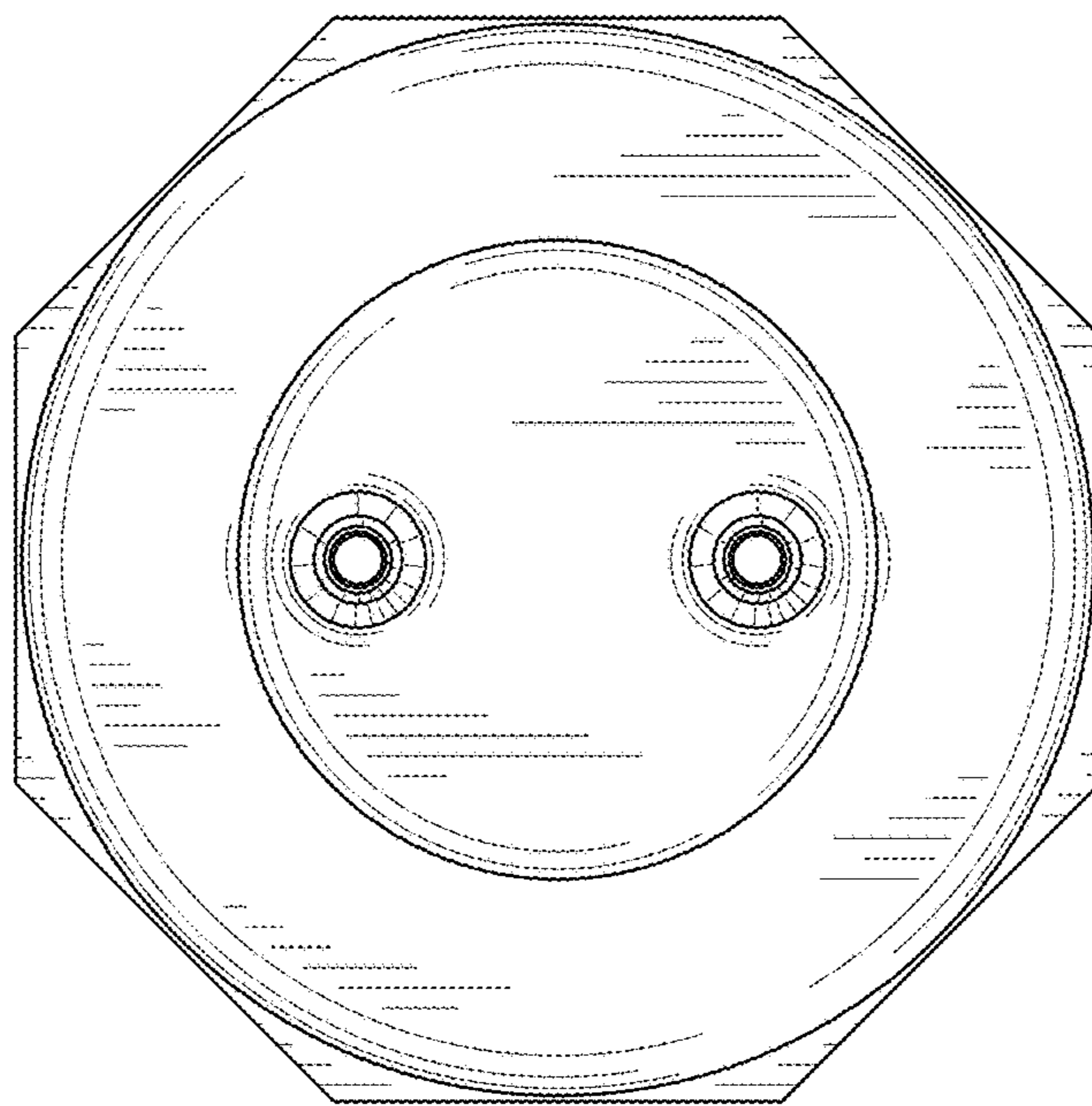


FIG. 3



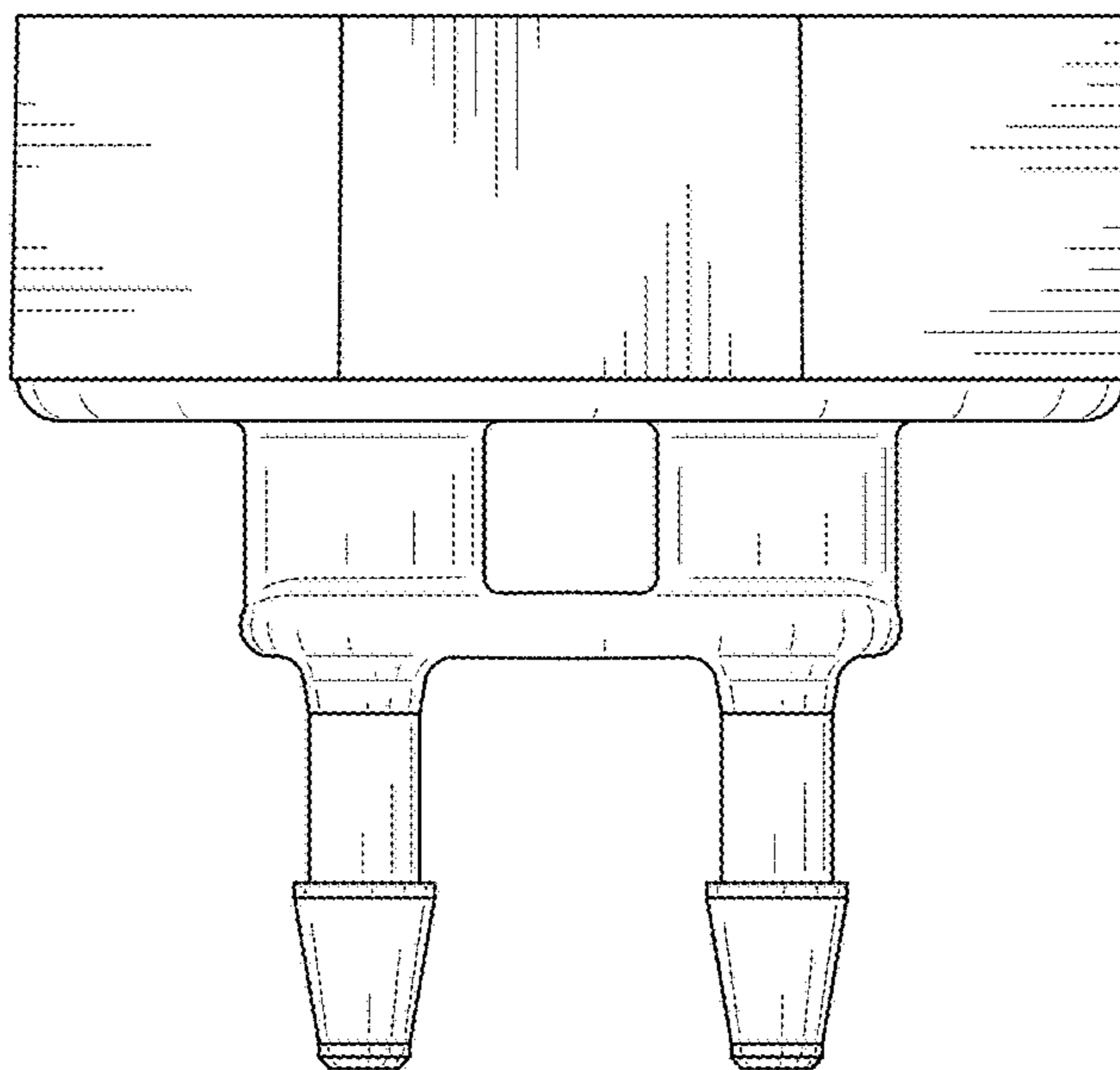


FIG. 4

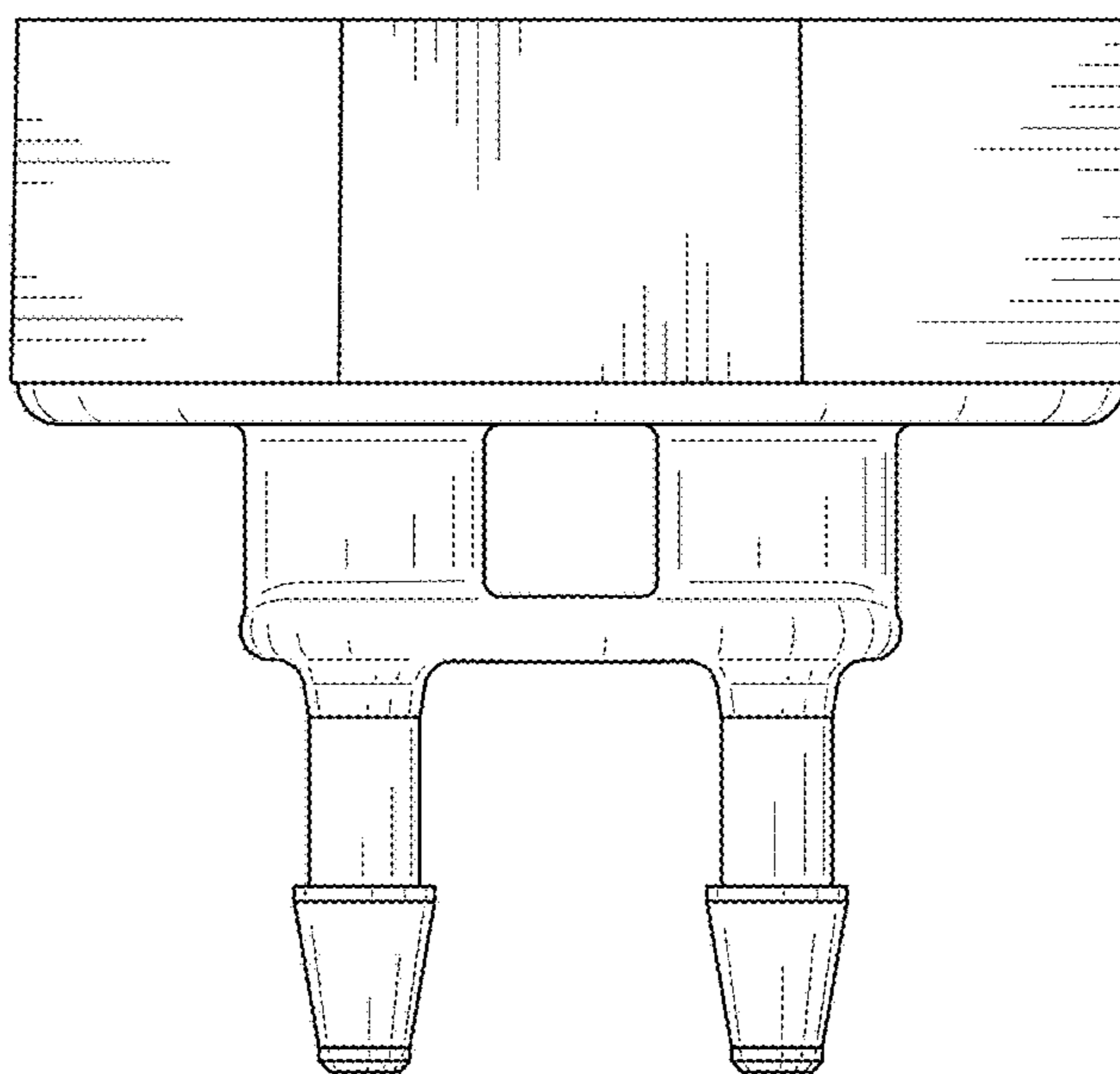


FIG. 5

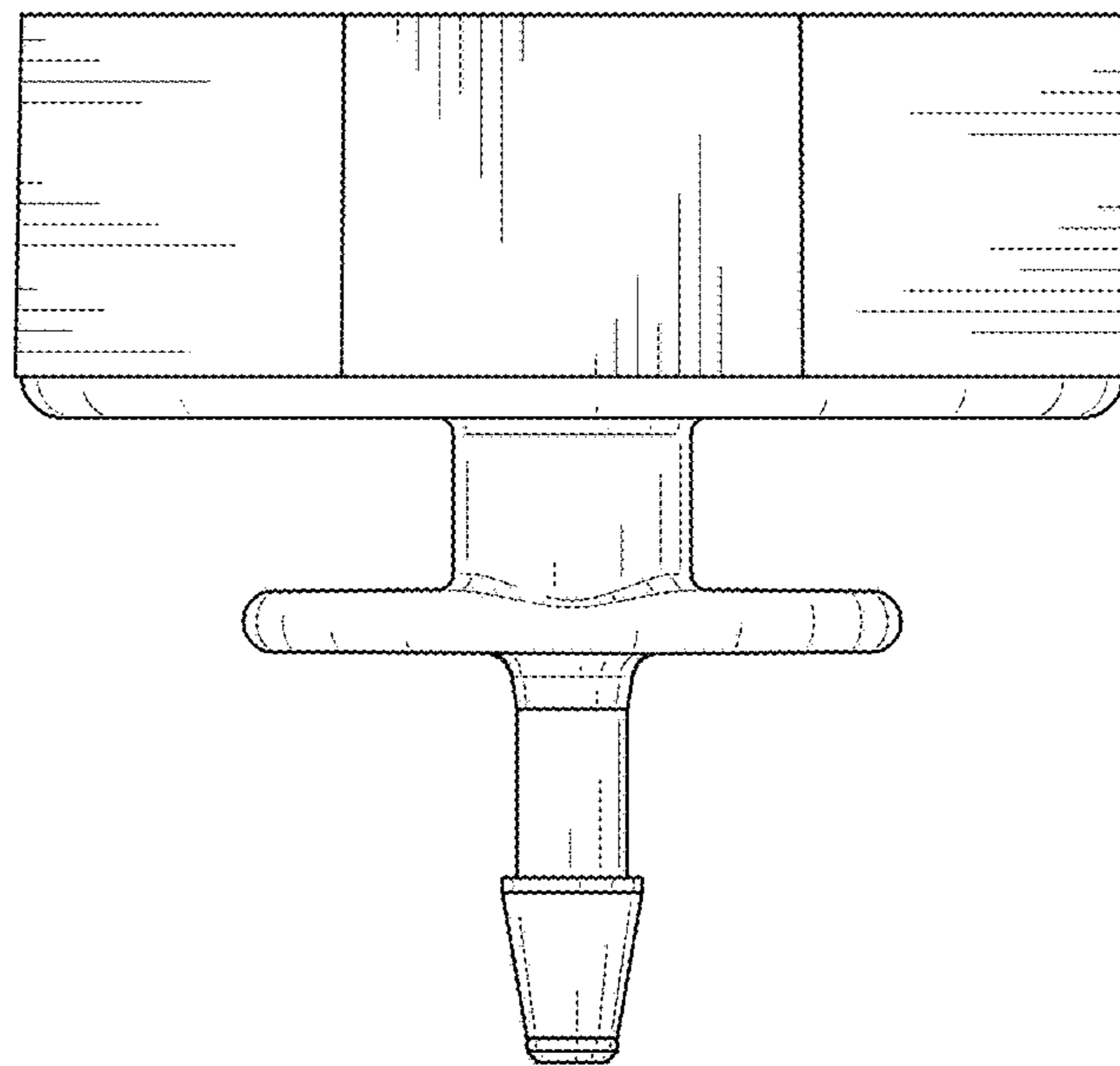


FIG. 6

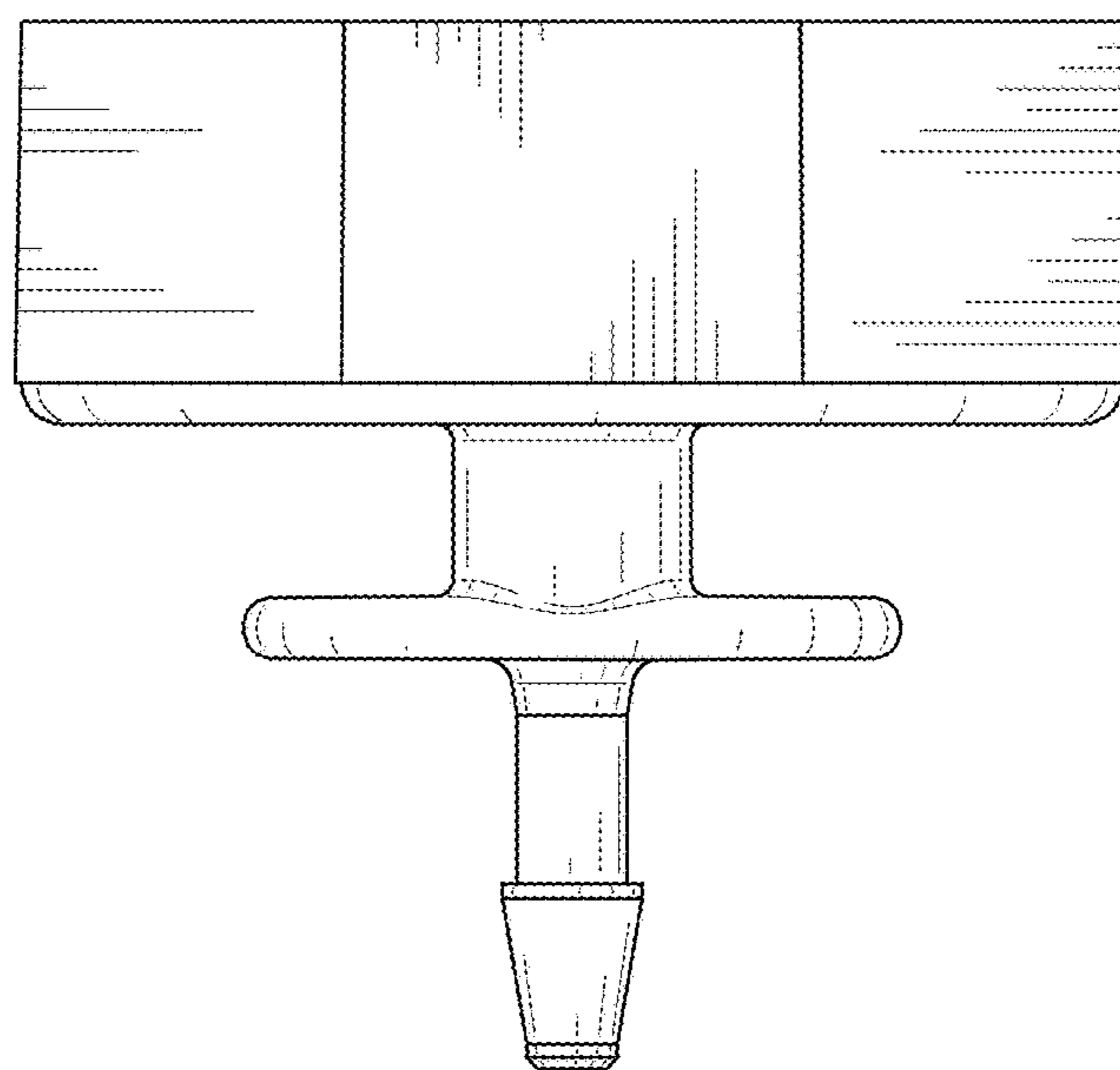


FIG. 7

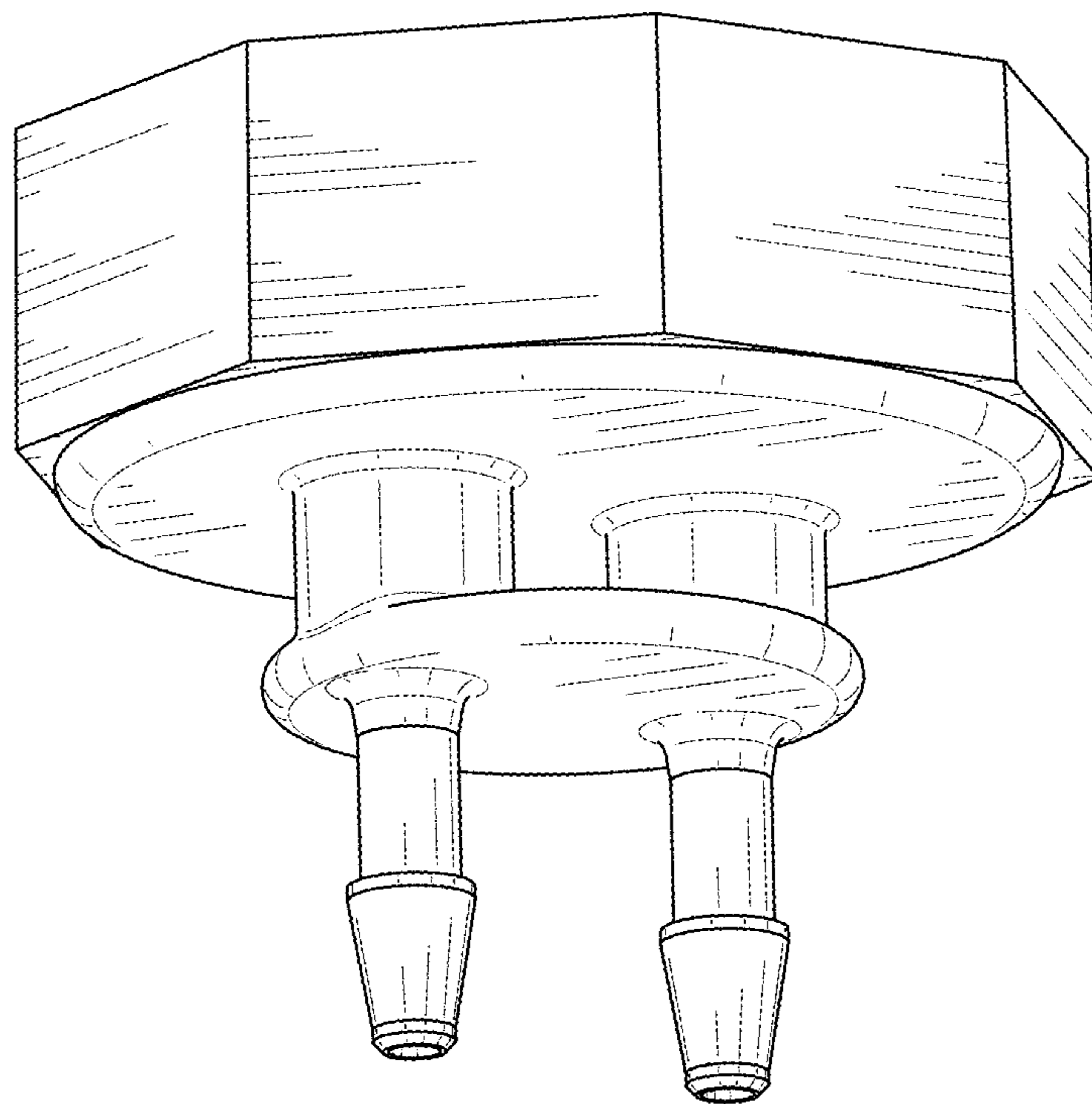


FIG. 8