

US00D842104S

(12) **United States Design Patent** (10) **Patent No.:** **US D842,104 S**
Ke (45) **Date of Patent:** **** Mar. 5, 2019**

(54) **LID** D479,800 S * 9/2003 McRae D9/443
D568,740 S * 5/2008 Williams D9/436
(71) Applicant: **Seikilife (Shanghai) Housewares Co.,** D644,204 S * 8/2011 Poandl D14/215
Ltd., Shanghai (CN) D651,847 S * 1/2012 Gilbert D7/392.1
D658,935 S * 5/2012 Luppino D7/392
(72) Inventor: **David Ke, Shanghai (CN)** 8,284,972 B2 * 10/2012 Lin H04R 1/2807
181/199
(73) Assignee: **Seikilife (Shanghai) Housewares Co.,** D690,987 S * 10/2013 Gallen D7/392.1
Ltd., Shanghai (CN) D728,525 S * 5/2015 Zhang D14/216
9,148,714 B2 * 9/2015 Zhao H04R 1/021
9,307,307 B2 * 4/2016 Florczak H04M 1/04
(**) Term: **15 Years** (Continued)

(21) Appl. No.: **29/616,409**

OTHER PUBLICATIONS

(22) Filed: **Sep. 6, 2017**

FCC ID. WB8804 Bluetooth Water Bottle External Photos Appendix—
Photographs of EUT Constructional Details Seikilife (Shanghai)
Housewares Co., LTD. Dec. 7, 2017 [earliest online date], [site
visited Aug. 29, 2018]. Available from Internet:https://fccid.io/
2AOAW-WB8804/External-Photos/External-Photos-3667110 (Year:
2017).*

(30) **Foreign Application Priority Data**

Aug. 21, 2017 (CN) 2017 3 0386806

(51) **LOC (11) Cl.** **09-07**

(52) **U.S. Cl.**
USPC **D9/436; D14/216**

(58) **Field of Classification Search**
USPC D7/316, 392, 392.1, 396.2, 397, 510,
D7/533; D9/434-436, 440, 443, 445,
D9/447, 452-454, 499; D14/204, 209.1,
D14/213, 215, 216; D8/300, 301, 305,
D8/310, 312

CPC B65D 41/00; B65D 41/38; B65D 41/56;
B65D 41/62; B65D 47/00; B65D 47/06;
B65D 47/08; B65D 2543/00046; B65D
2543/00092; B65D 2543/00296; B65D
51/28; B65D 21/0237; B65D 81/3205;
H04R 1/02; H04R 1/021

See application file for complete search history.

(56) **References Cited**

U.S. PATENT DOCUMENTS

837,408 A * 12/1906 Johnstone B65D 39/00
215/355
D411,409 S * 6/1999 Wallays D7/391

(Continued)

Primary Examiner — George D. Kirschbaum
Assistant Examiner — Darcey E Heflin
(74) *Attorney, Agent, or Firm* — Wang Law Firm, Inc.

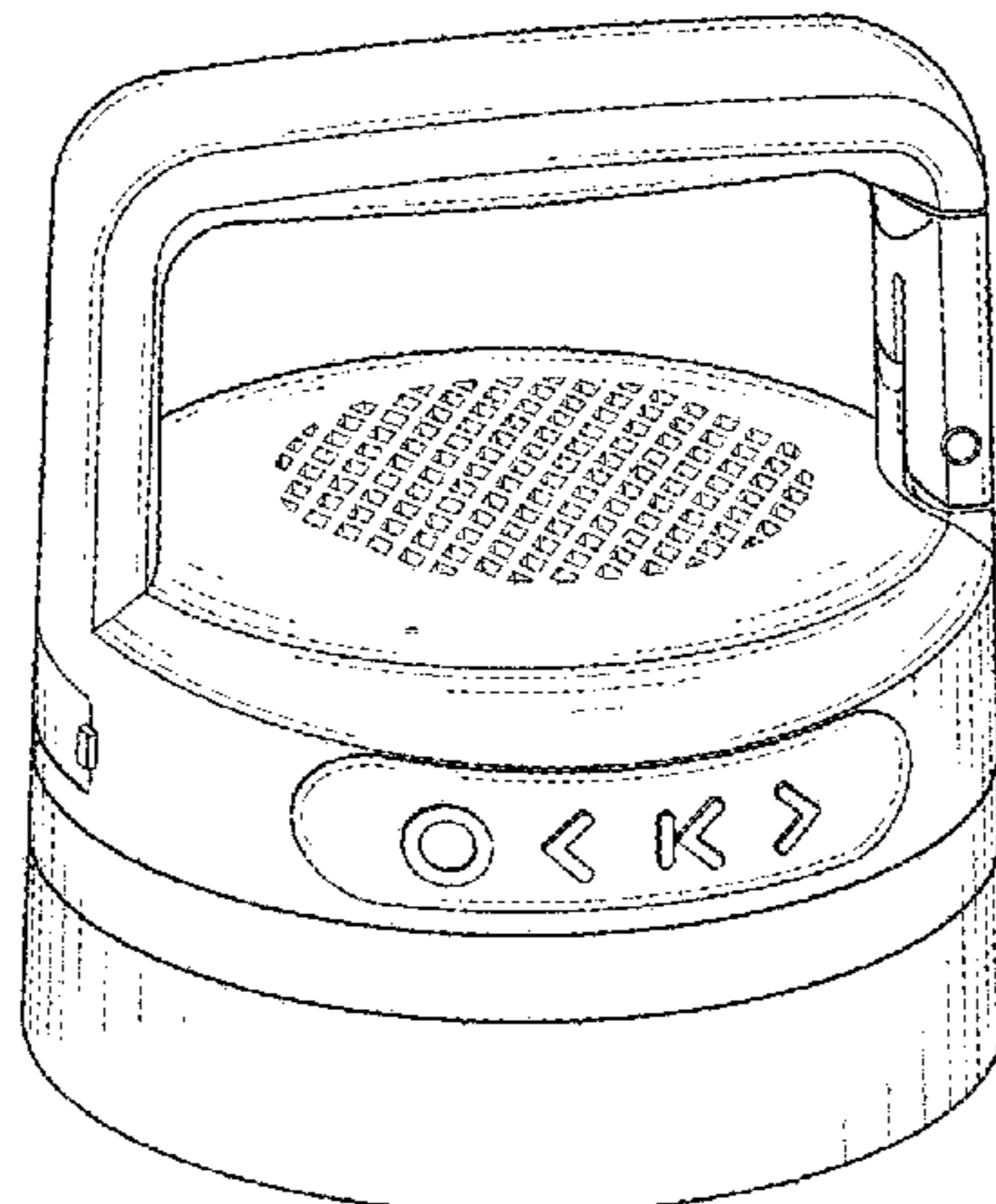
(57) **CLAIM**

The ornamental design for a lid, as shown and described.

DESCRIPTION

FIG. 1 is a perspective view showing my new design;
FIG. 2 is a front view thereof;
FIG. 3 is a rear view thereof;
FIG. 4 is a left view thereof;
FIG. 5 is a right view thereof;
FIG. 6 is a top view thereof; and,
FIG. 7 is a bottom view thereof.
The broken lines depict portions of the lid that form no part
of the claimed design.

1 Claim, 7 Drawing Sheets



(56)

References Cited

U.S. PATENT DOCUMENTS

D755,154 S	*	5/2016	Paterson	D14/204
D761,103 S	*	7/2016	Lebon	D9/447
D763,818 S	*	8/2016	Yang	D14/204
D763,819 S	*	8/2016	Silvera	D14/204
D770,415 S	*	11/2016	Pellisari	D14/216
D781,145 S	*	3/2017	Seiders	D7/392.1
D795,008 S	*	8/2017	Eyal	D7/392.1
D802,994 S	*	11/2017	Seiders	D7/392.1
D806,468 S	*	1/2018	Goodwin	D7/392.1
D816,493 S	*	5/2018	Seiders	D9/443

OTHER PUBLICATIONS

Amazon. TAL Bluetooth Wireless Speaker 28 oz Water Bottle. Aug. 12, 2017 [earliest online date], [site visited Aug. 29, 2018]. Available from Internet, <URL:<https://www.amazon.com/Bluetooth-Micro-USB-Microphone-Answering-Compatible/dp/B074S2P37B>>. (Year: 2017).*

* cited by examiner

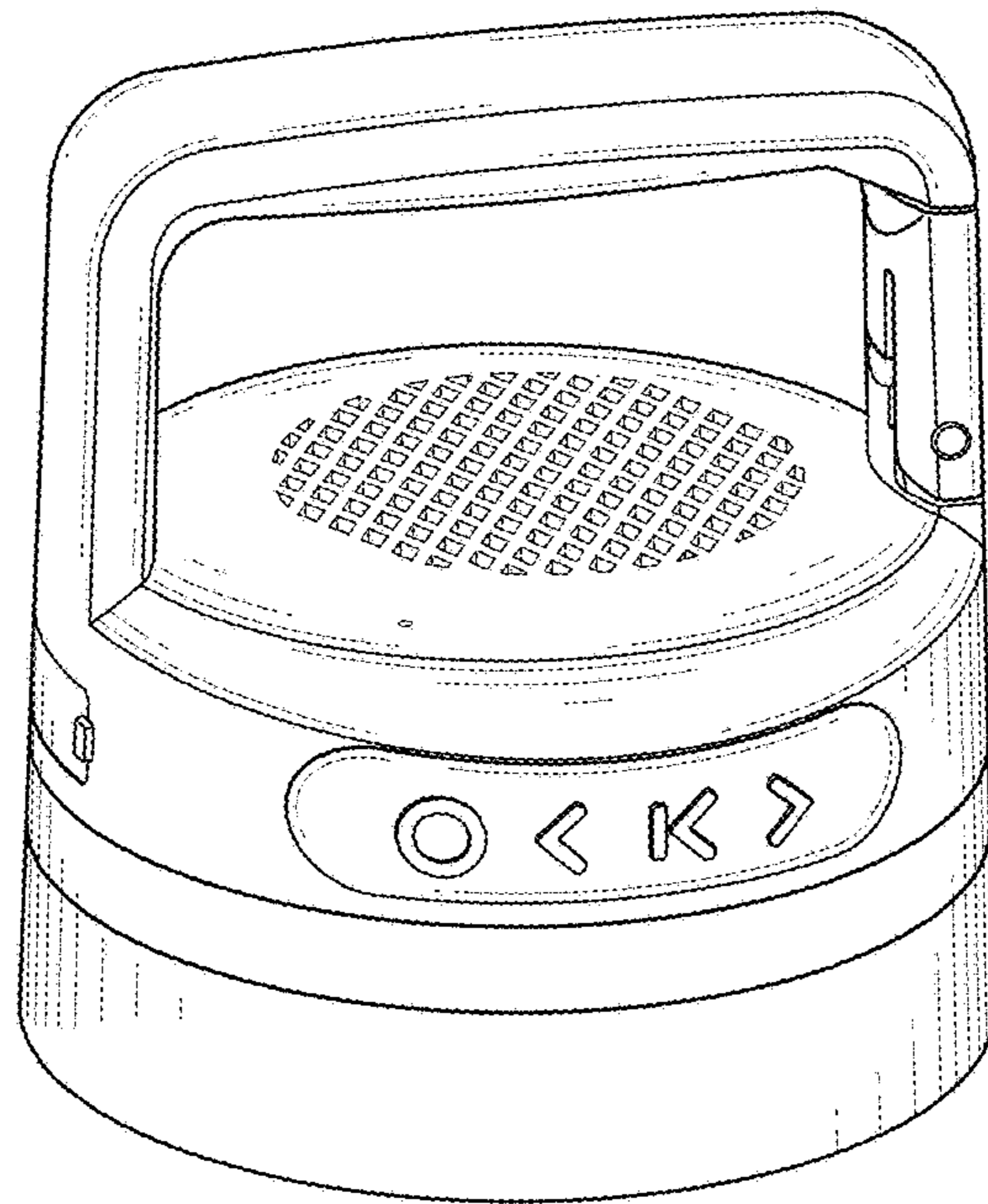


FIG. 1

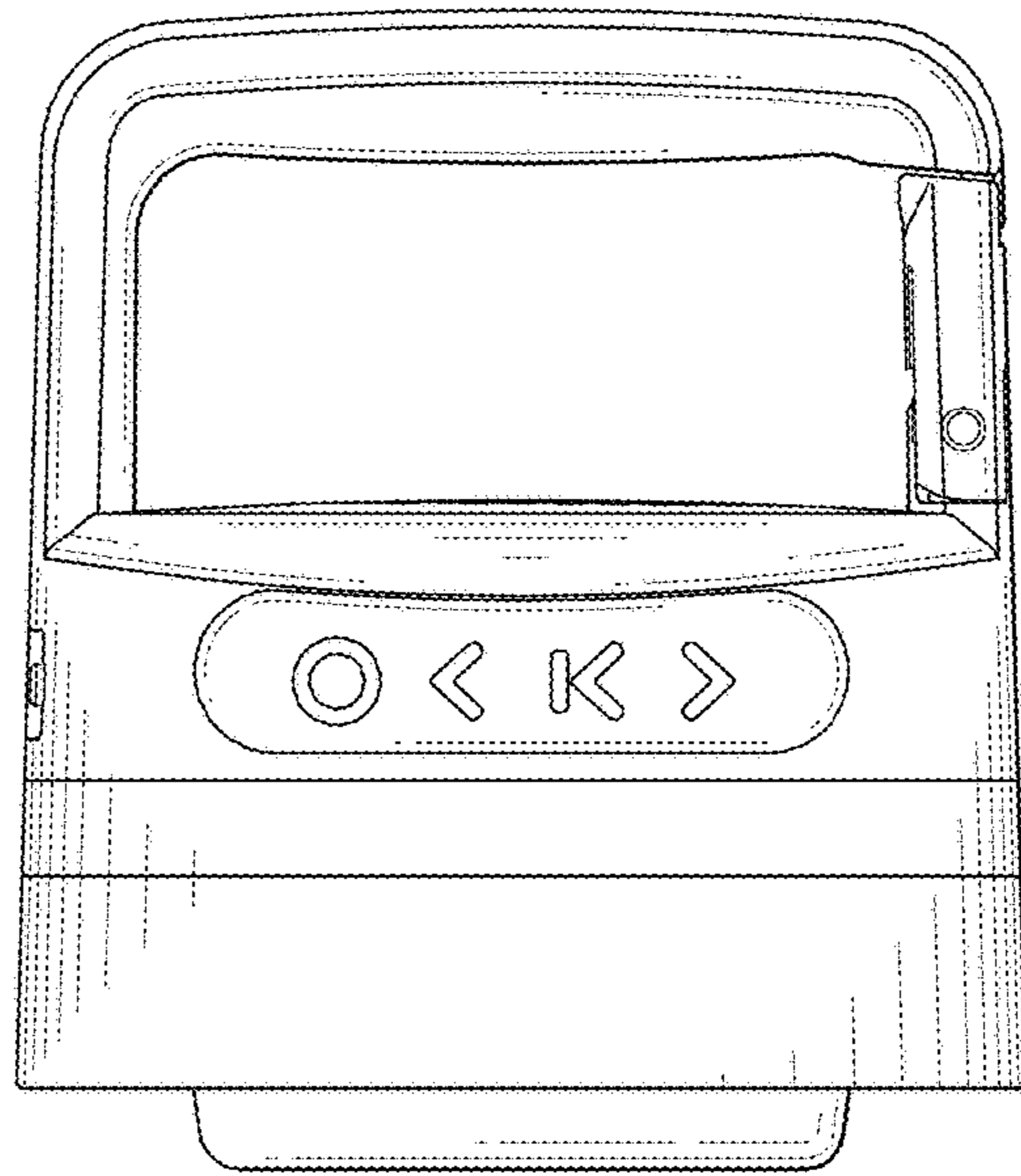


FIG. 2

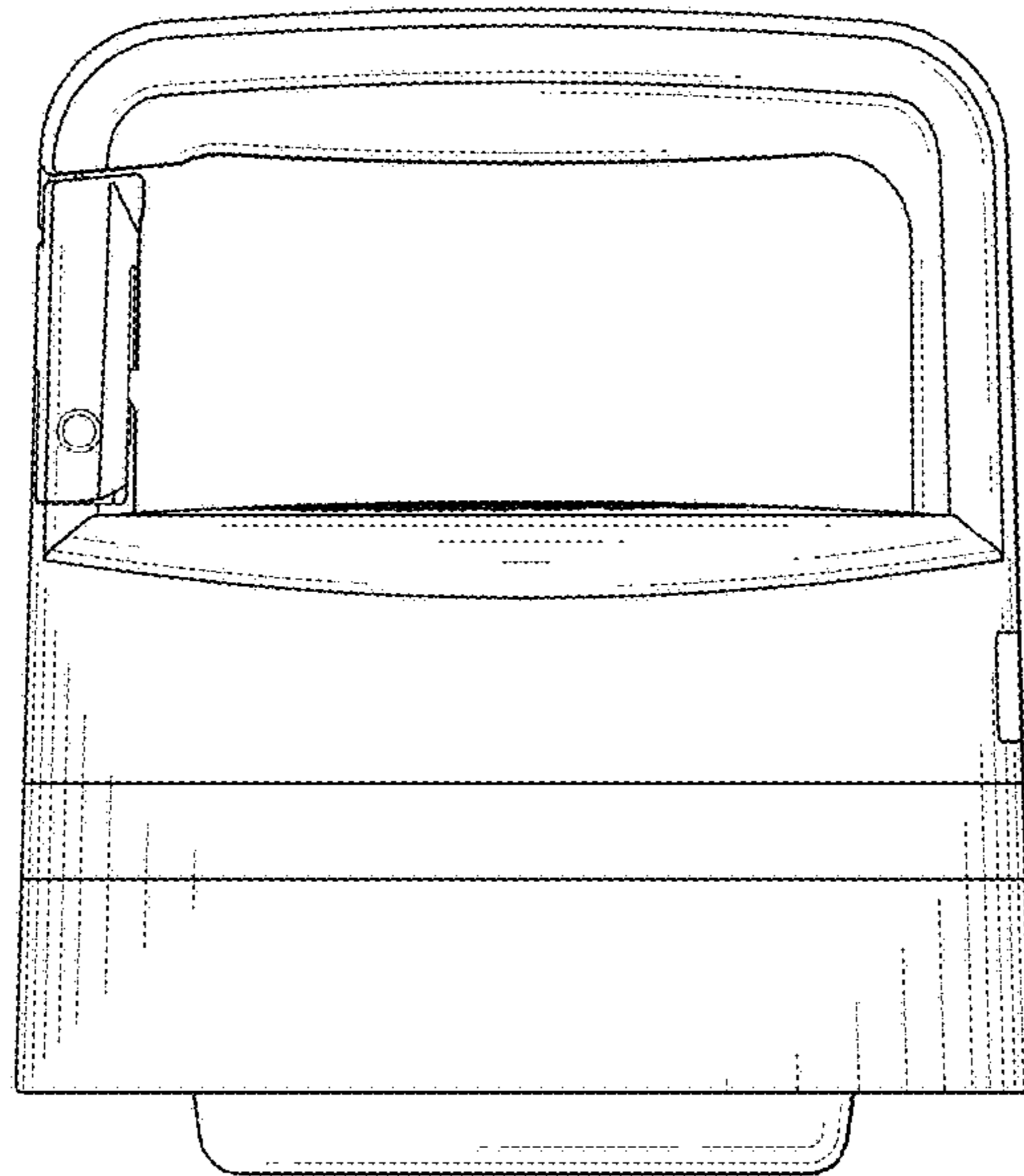


FIG. 3

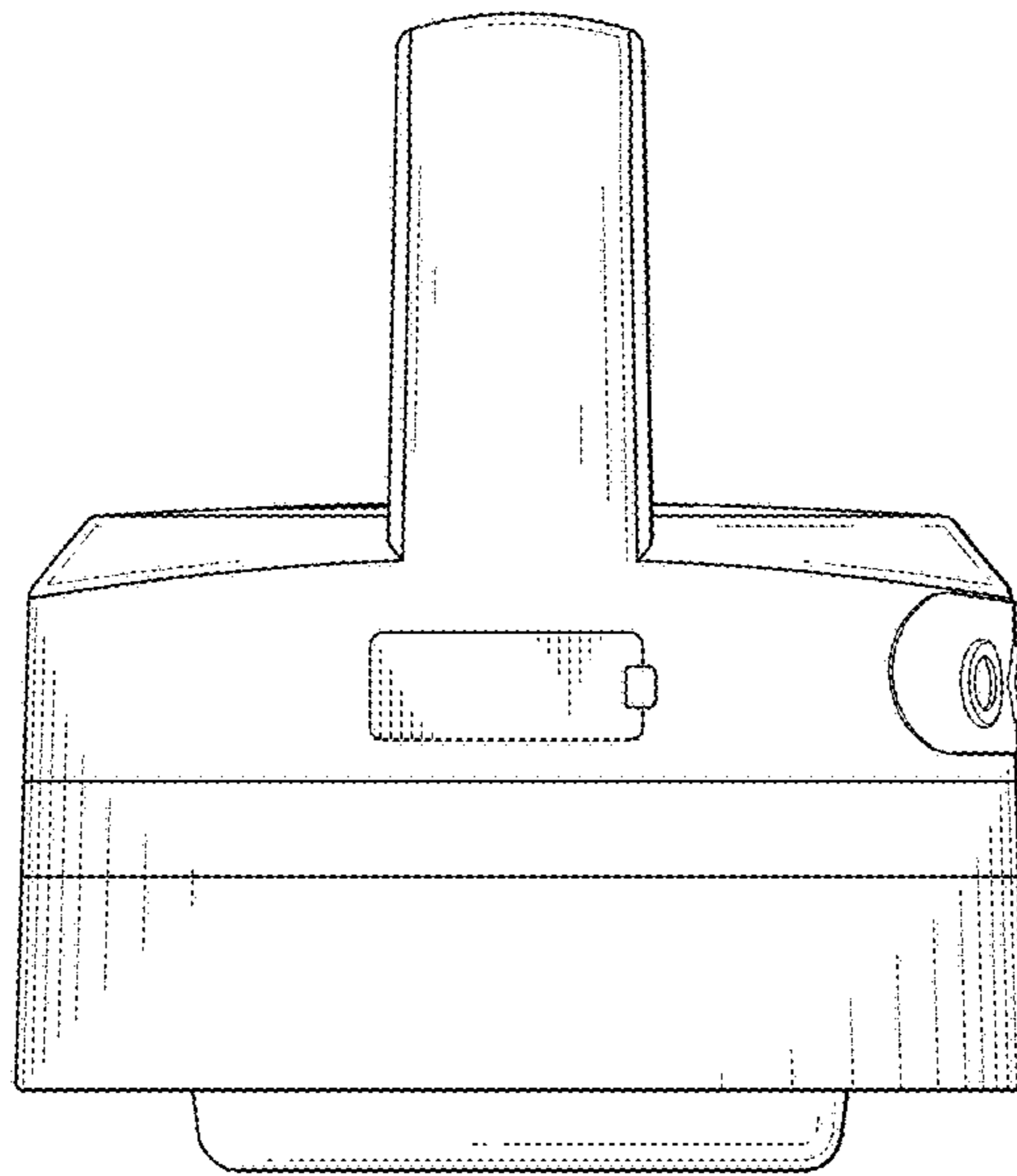


FIG. 4

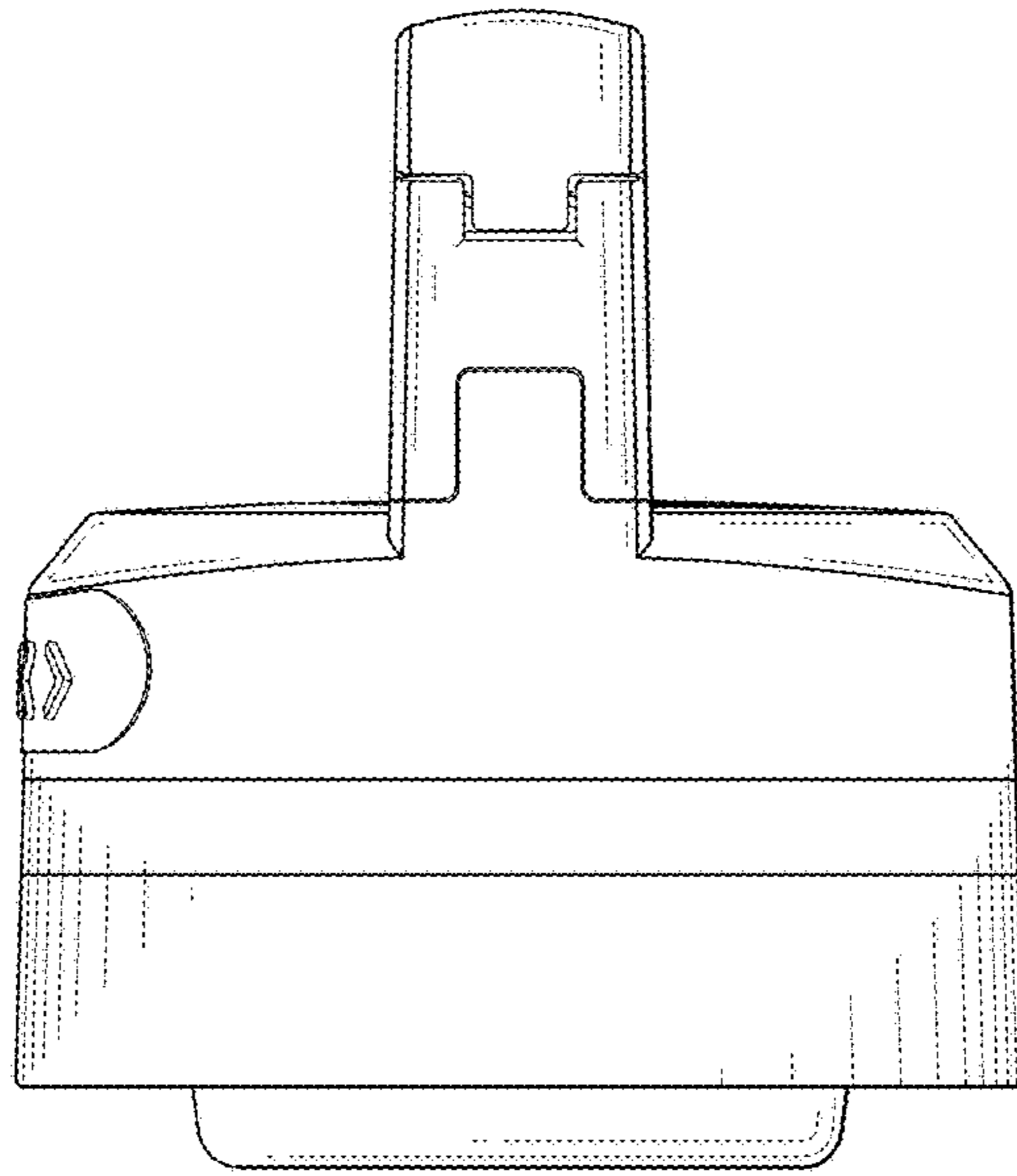


FIG. 5

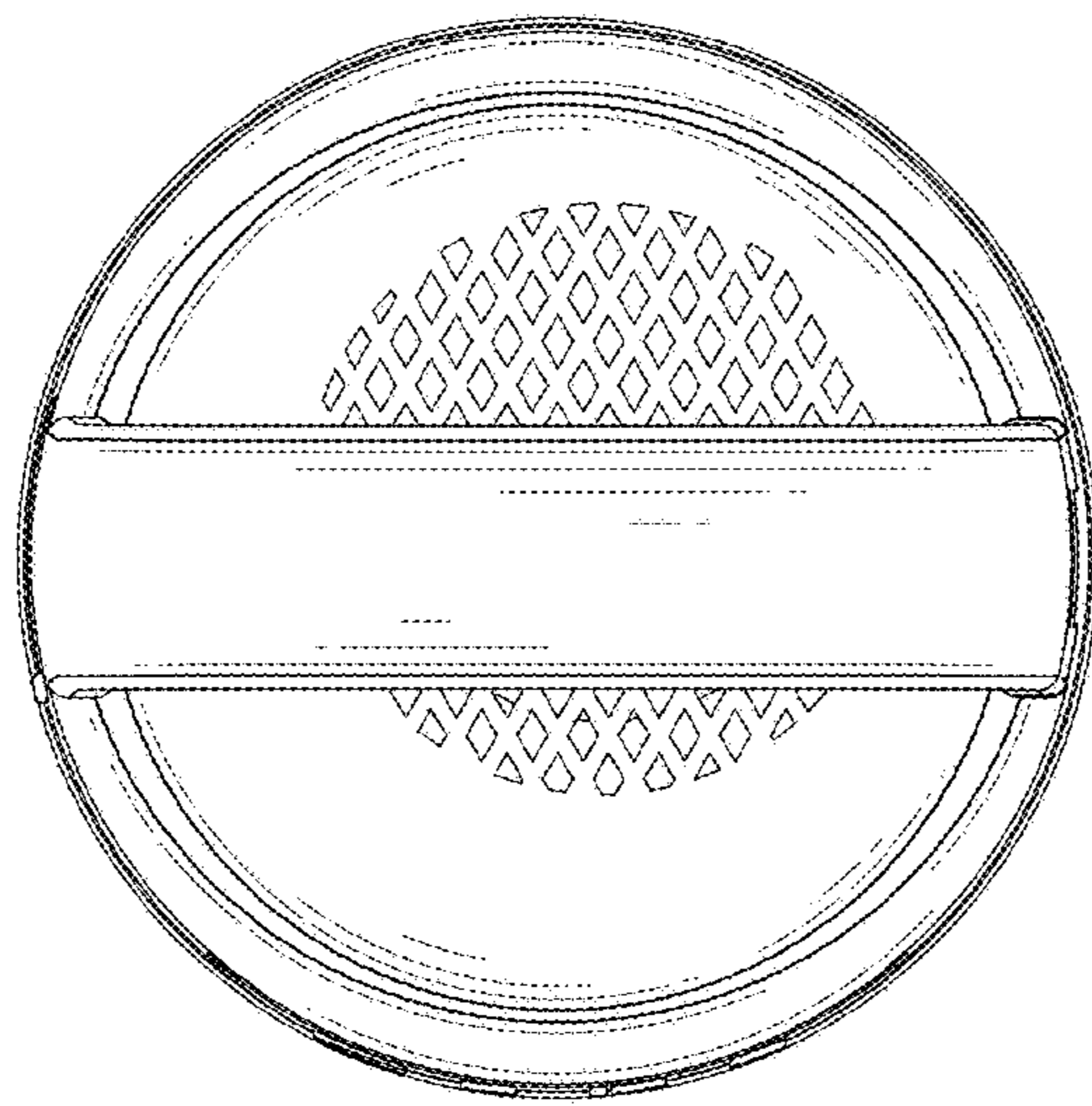


FIG. 6

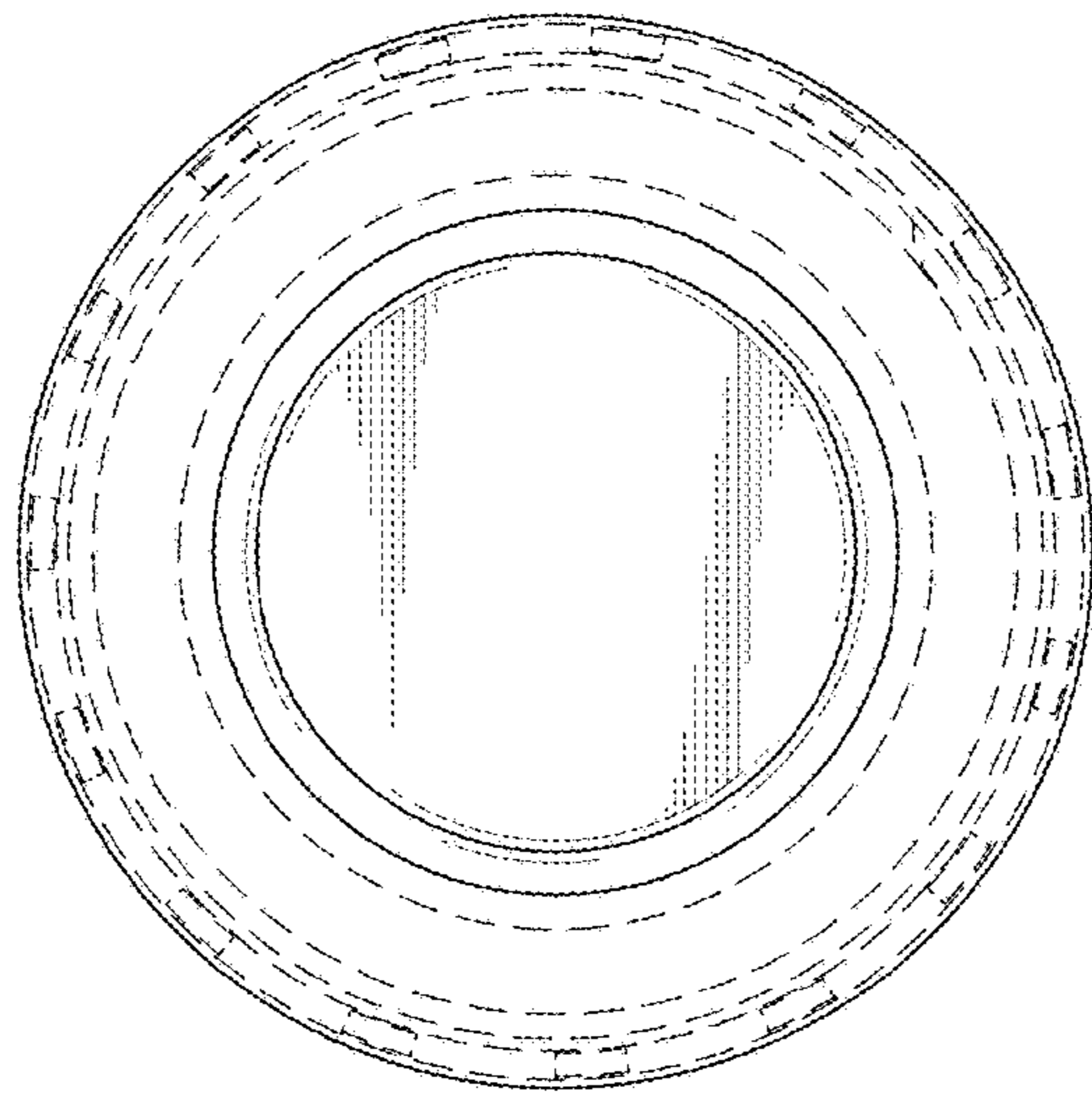


FIG. 7