



US00D842100S

(12) **United States Design Patent**
Sotka

(10) **Patent No.:** **US D842,100 S**
(45) **Date of Patent:** **** Mar. 5, 2019**

(54) **BLANK FOR CARDBOARD BOX HAVING A CHILDPROOF LOCK SYSTEM**

(71) Applicant: **A & R CARTON OY**, Kauttua (FI)

(72) Inventor: **Susanna Sotka**, Kauttua (FI)

(73) Assignee: **A & R CARTON OY**, Kauttua (FI)

(**) Term: **15 Years**

(21) Appl. No.: **29/600,645**

(22) Filed: **Apr. 13, 2017**

(30) **Foreign Application Priority Data**

Jan. 9, 2015 (EM) 002610774

(51) **LOC (11) Cl.** **09-03**

(52) **U.S. Cl.**
USPC **D9/433**

(58) **Field of Classification Search**
USPC D9/433, 414, 432, 516, 524; 229/112
CPC B65D 5/4291; B65D 5/38; B65D 1/225;
B65D 5/002; B65D 5/22; B65D 5/241;
B65D 5/248; B65D 5/029
See application file for complete search history.

(56) **References Cited**

U.S. PATENT DOCUMENTS

6,029,885 A * 2/2000 Mueller B65D 5/22
229/125.19
6,047,829 A * 4/2000 Johnstone B65D 5/38
206/1.5
6,588,651 B2 * 7/2003 Quaintance B65D 5/029
229/109
7,654,440 B2 * 2/2010 Quaintance B65D 5/029
229/109
D633,806 S 3/2011 Lecoule
D646,579 S 10/2011 Rahe

8,573,471 B2 * 11/2013 Wong B65D 5/241
229/117.08
D703,529 S 4/2014 Voelker
8,690,048 B2 4/2014 Philips
D718,106 S 11/2014 Lauzet
D725,465 S 3/2015 Voelker
D728,364 S 5/2015 Baker
D738,722 S * 9/2015 Bennefeld D9/432
D740,656 S 10/2015 Stewart
D741,709 S 10/2015 Sohler
9,351,907 B2 * 5/2016 Luoma A61J 1/035
D766,718 S 9/2016 Beckers
D770,276 S * 11/2016 Bjorsing D9/433
9,844,489 B2 * 12/2017 Grosskopf B65D 77/0413
D820,082 S * 6/2018 Meneaud D9/433
D820,675 S * 6/2018 Burke D9/432
D826,042 S * 8/2018 Jacobsson D9/433
D826,043 S * 8/2018 Dacey D9/433
D829,095 S * 9/2018 McKenna D9/432
D829,097 S * 9/2018 Perella D9/433
2003/0160092 A1 8/2003 Philips

(Continued)

Primary Examiner — Cynthia R Underwood

(74) *Attorney, Agent, or Firm* — Nixon & Vanderhye P.C.

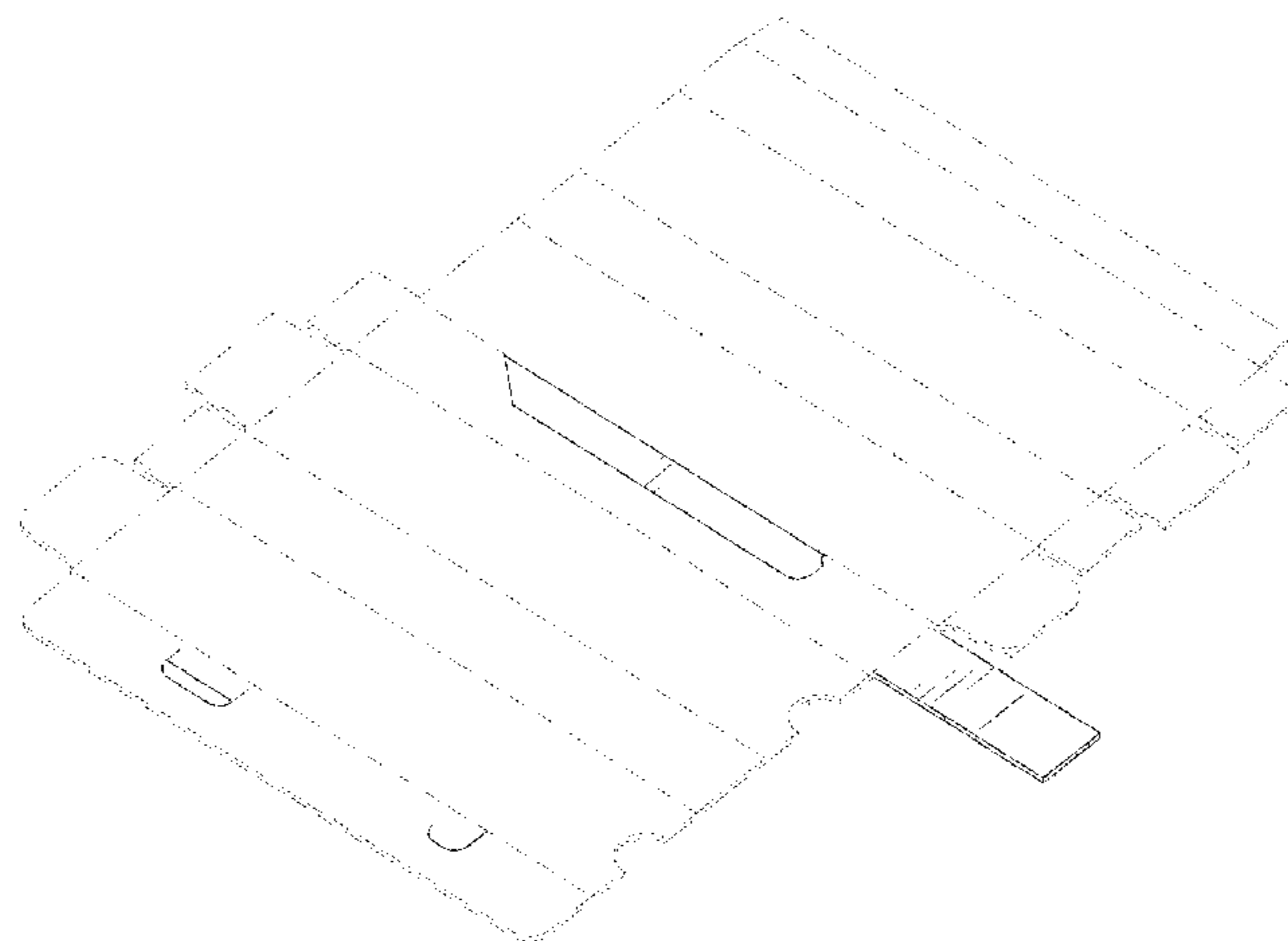
(57) **CLAIM**

The ornamental designs for “blank for cardboard box having a childproof lock system,” as shown and described.

DESCRIPTION

FIG. 1 is a top perspective view thereof;
FIG. 2 is a front edge view thereof;
FIG. 3 is a rear edge view thereof;
FIG. 4 is a top plan view thereof;
FIG. 5 is a bottom plan view thereof;
FIG. 6 is a left side edge elevation view; and,
FIG. 7 is a right side edge elevation view thereof.
The broken lines in FIGS. 1-7 represent structures in the environment of the claimed design which do not form any part of the claimed design.

1 Claim, 5 Drawing Sheets



(56)

References Cited

U.S. PATENT DOCUMENTS

2008/0290146 A1* 11/2008 Daley B31B 3/00
229/109
2012/0312813 A1 12/2012 Voelker
2013/0037604 A1* 2/2013 Goldman B65D 5/248
229/198.2

* cited by examiner

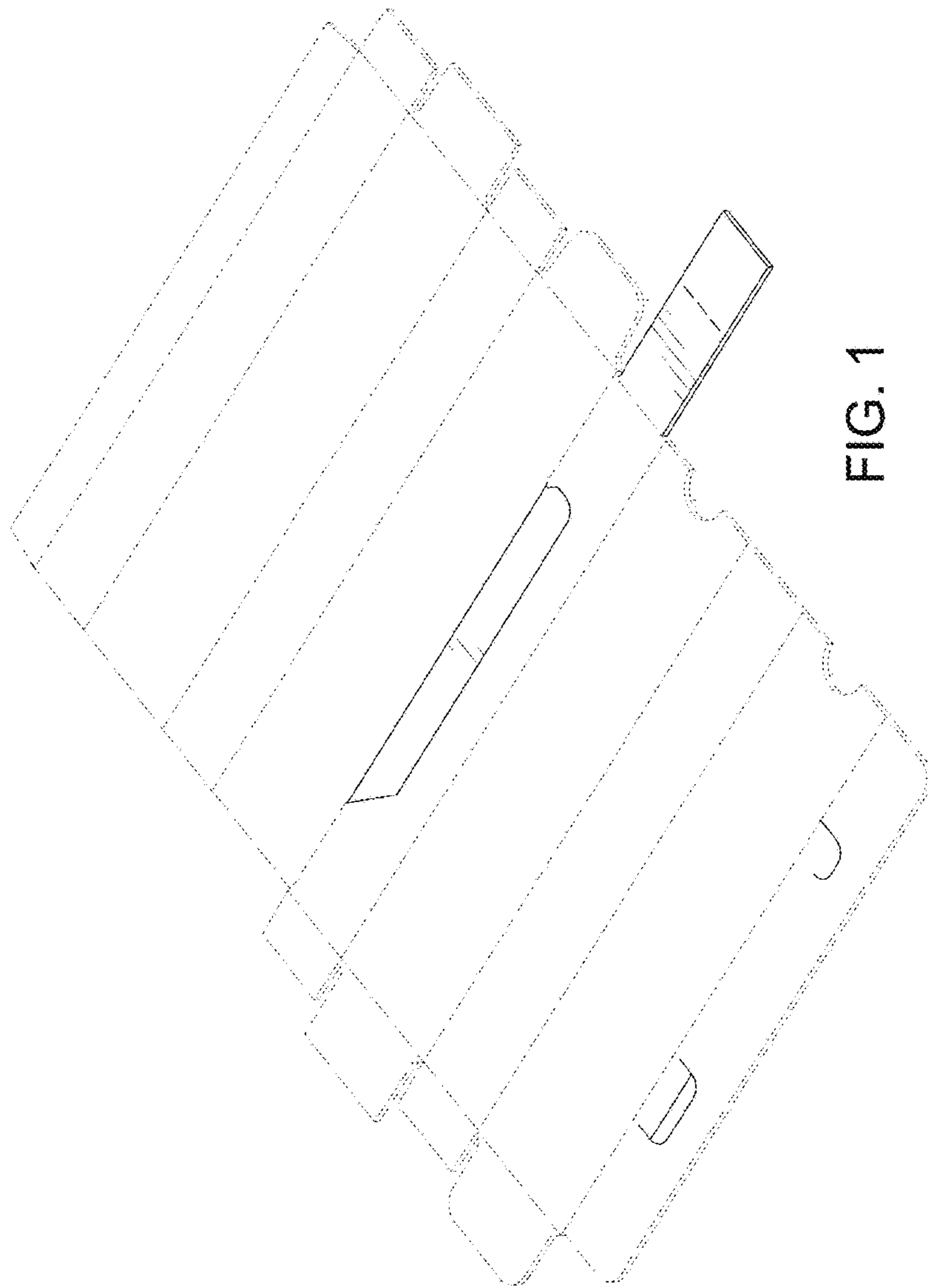


FIG. 1

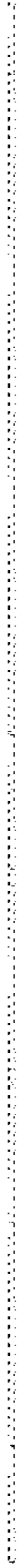


FIG. 2

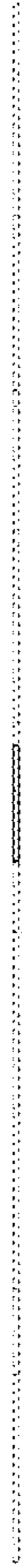


FIG. 3

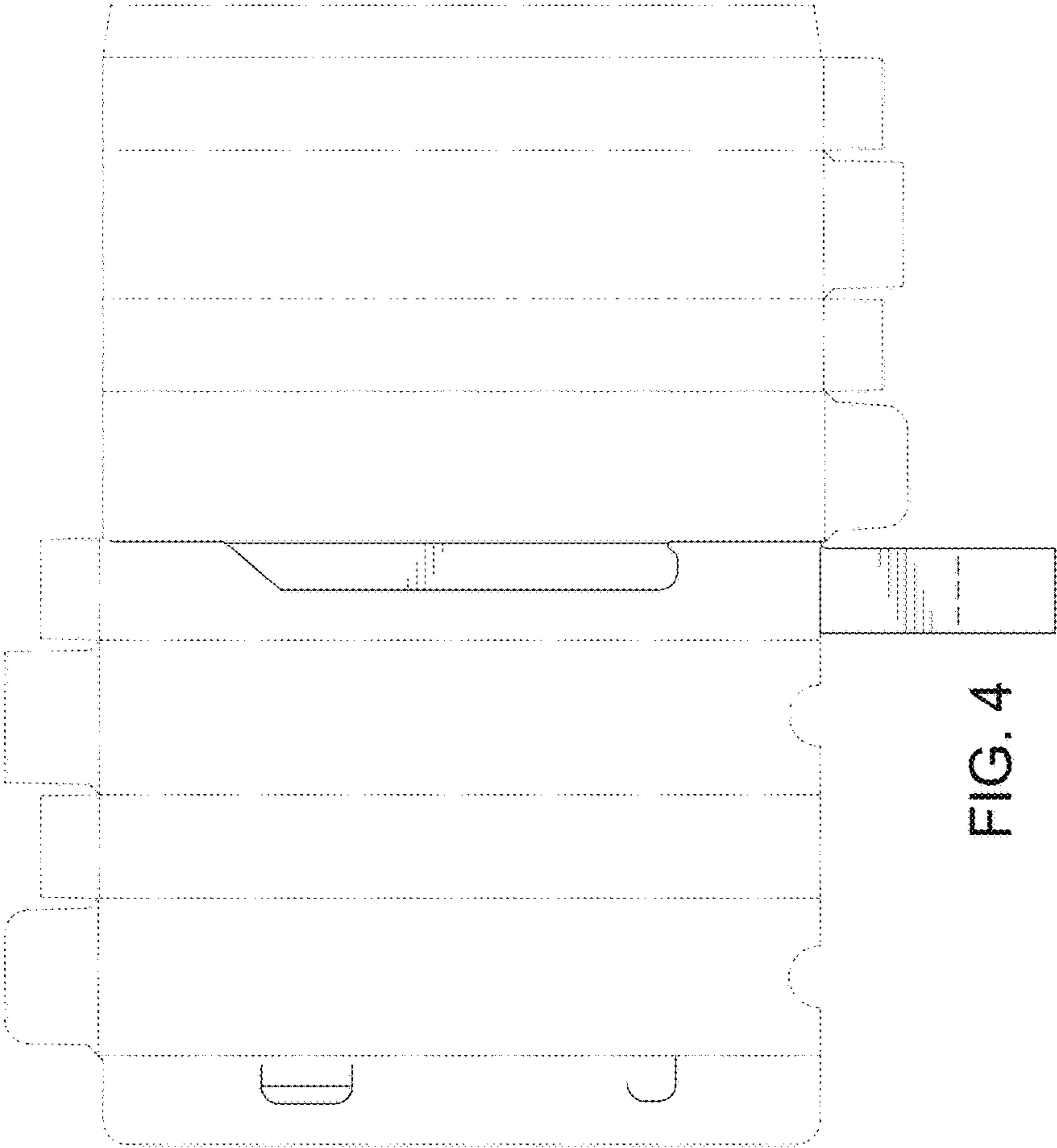


FIG. 4

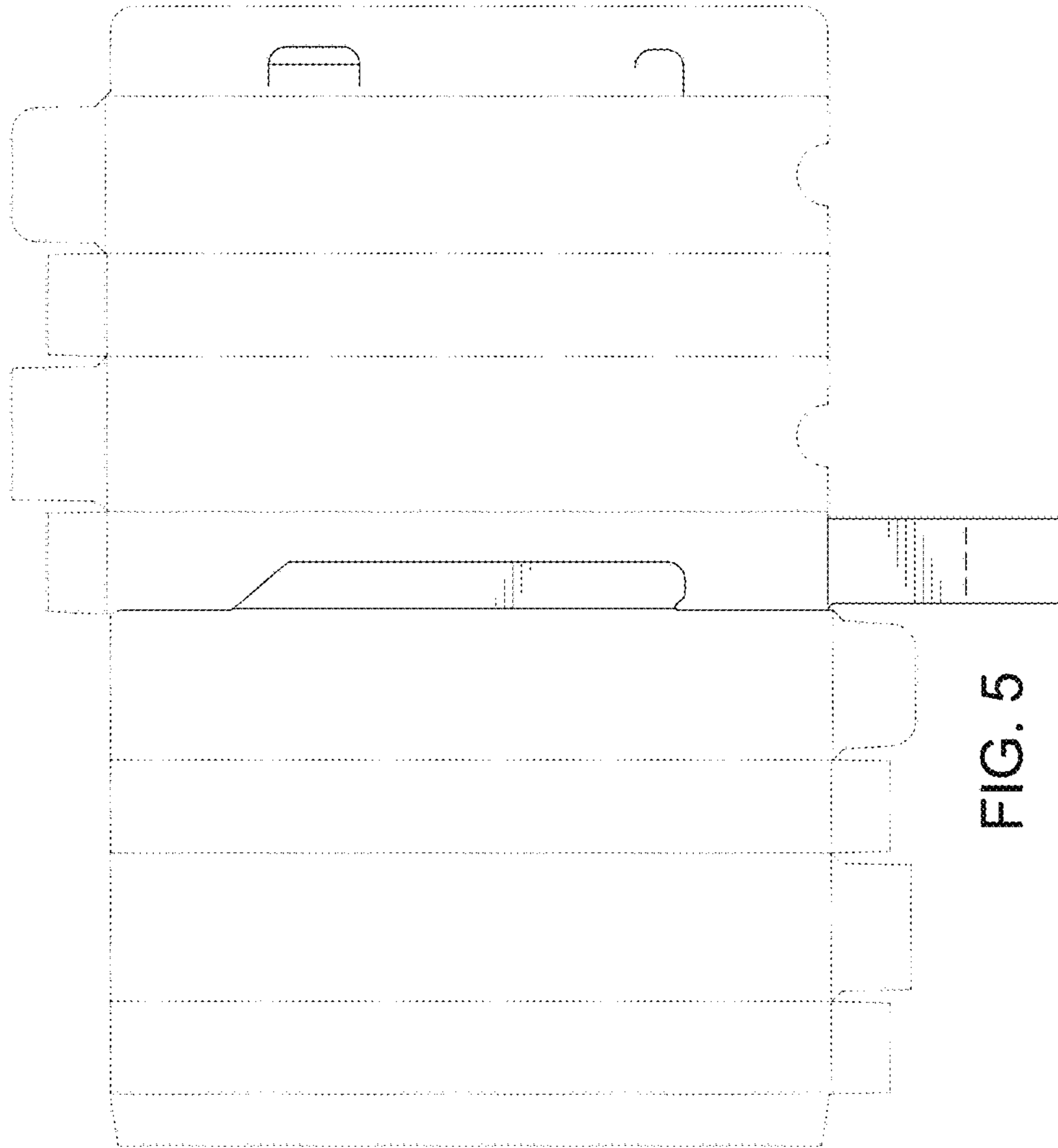


FIG. 5

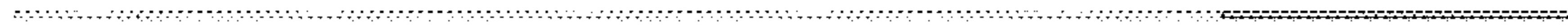


FIG. 6

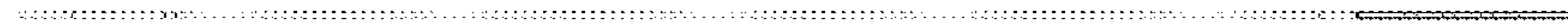


FIG. 7