



US00D842095S

(12) **United States Design Patent**
Hajek

(10) **Patent No.:** **US D842,095 S**
(45) **Date of Patent:** **** Mar. 5, 2019**

- (54) **CARTON**
- (71) Applicant: **Graphic Packaging International, Inc.**, Atlanta, GA (US)
- (72) Inventor: **Ronald E. Hajek**, Joliet, IL (US)
- (73) Assignee: **Graphic Packaging International, LLC**, Atlanta, GA (US)
- (**) Term: **15 Years**
- (21) Appl. No.: **29/621,601**
- (22) Filed: **Oct. 10, 2017**
- (51) **LOC (11) Cl.** **09-03**
- (52) **U.S. Cl.**
USPC **D9/431; D9/433; D9/423**
- (58) **Field of Classification Search**
USPC D9/414-423, 430-432, 433, 434, 456,
D9/457, 711, 713, 721-722
CPC ... B65D 5/00; B65D 5/02; B65D 5/18; B65D
5/20
See application file for complete search history.

- 2,194,220 A 3/1940 Elder
- 2,312,595 A 3/1943 Smith
- 2,337,654 A 12/1943 Goodyear
- 2,345,000 A 3/1944 Newsom
- 2,363,861 A 11/1944 Goodyear
- (Continued)

FOREIGN PATENT DOCUMENTS

- CA 2 586 472 5/2006
- DE 75 23 198 11/1975
- (Continued)

OTHER PUBLICATIONS

Hot Dog betaboard Box used for serving hot dog burgers and chips. [online] Published May 29, 2016. Retrieved Aug. 27, 2018 from URL: <http://www.packagingbiodegradable.com.au/home/1033-hot-dog-clam-ec-brown-400-pcs.html>.*

Primary Examiner — Vy N Koenig
(74) *Attorney, Agent, or Firm* — Womble Bond Dickinson (US) LLP

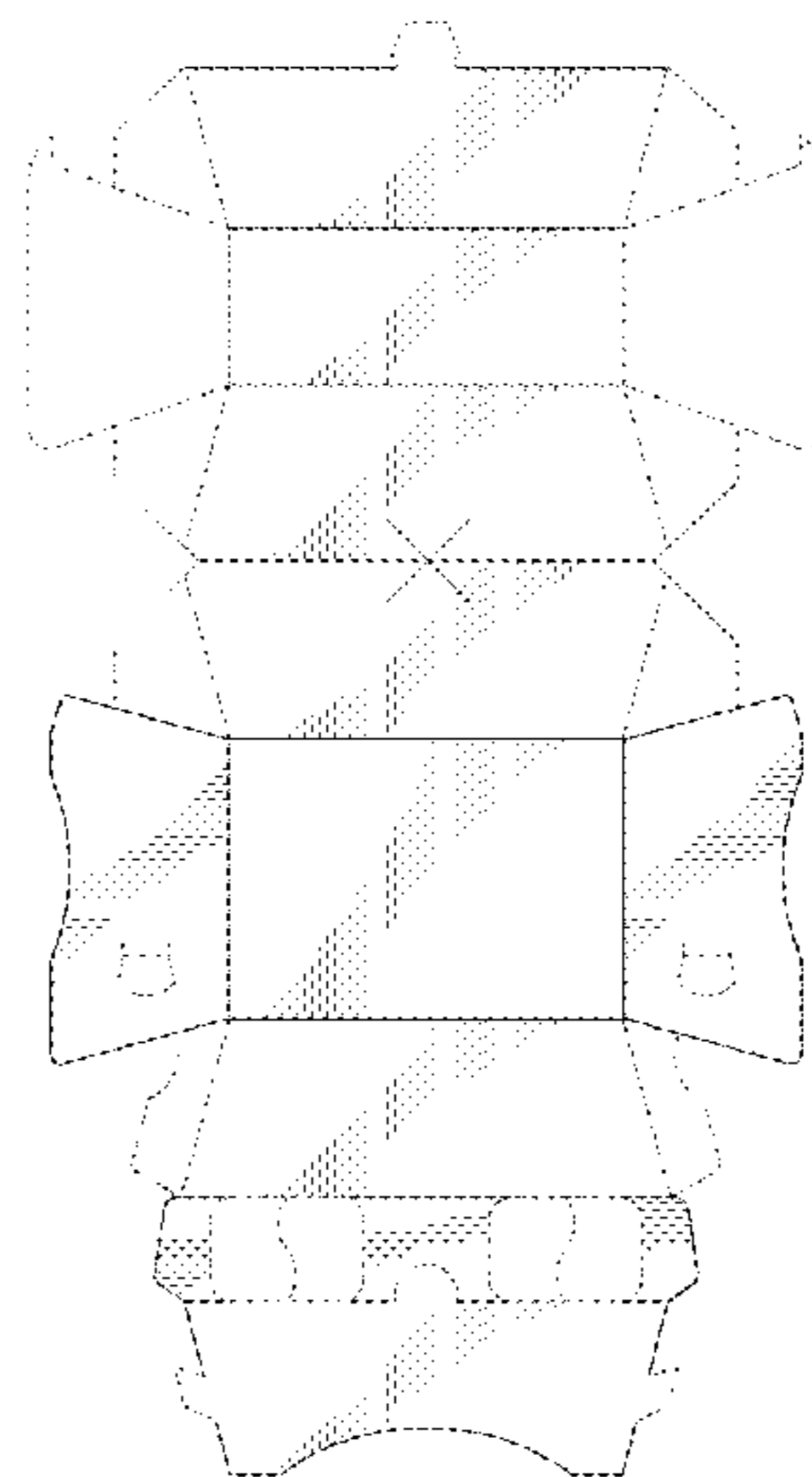
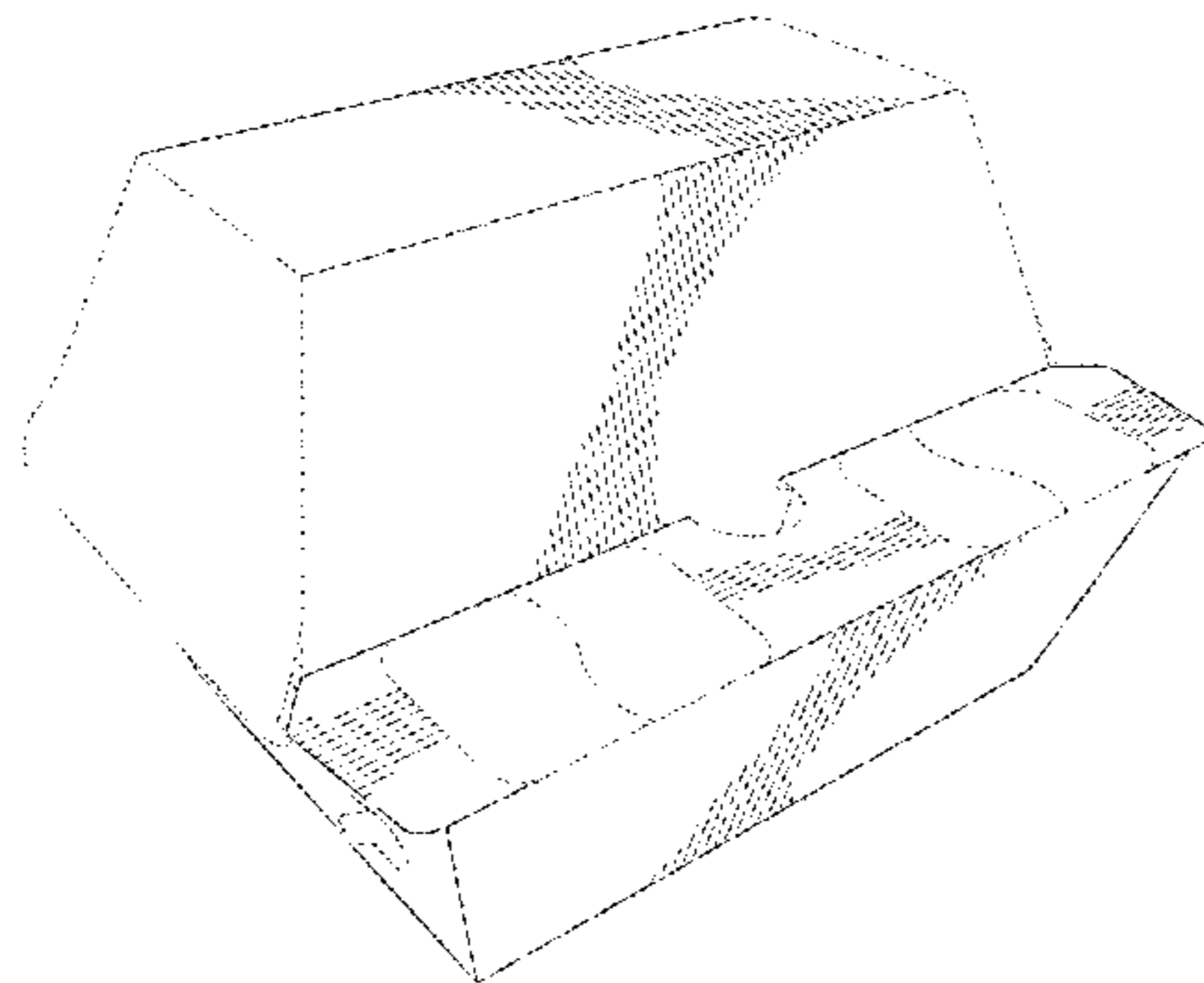
(57) **CLAIM**
The ornamental design for a carton, as shown and described.

DESCRIPTION

FIG. 1 is a perspective view of a carton showing my new design.
FIG. 2 is a top plan view of the carton of FIG. 1.
FIG. 3 is a bottom plan view of the carton of FIG. 1.
FIG. 4 is a rear elevation view of the carton of FIG. 1.
FIG. 5 is a front elevation view of the carton of FIG. 1.
FIG. 6 is a left elevation view of the carton of FIG. 1, the right elevation view is a mirror image; and,
FIG. 7 is a plan view of the carton of FIG. 1 shown in an unfolded configuration.
The evenly-spaced broken lines depict environmental subject matter and do not form part of the claimed design.

1 Claim, 7 Drawing Sheets

- (56) **References Cited**
- U.S. PATENT DOCUMENTS**
- 662,969 A 12/1900 Roth
- 978,569 A 12/1910 Elkin
- 1,048,577 A 12/1912 Pardoe
- 1,516,090 A 11/1924 Gary et al.
- 1,651,848 A 12/1927 Stevens
- 1,667,376 A 4/1928 Fehrenkamp
- 1,814,561 A 7/1931 Krumm
- 1,824,862 A 9/1931 Young
- 2,054,596 A 9/1936 Ford
- 2,091,126 A 8/1937 Speer
- 2,100,888 A 11/1937 Vine
- 2,107,946 A 2/1938 Inman
- 2,132,966 A 11/1938 O'Brien
- 2,180,808 A 11/1939 Jacobstein et al.



(56)

References Cited

U.S. PATENT DOCUMENTS

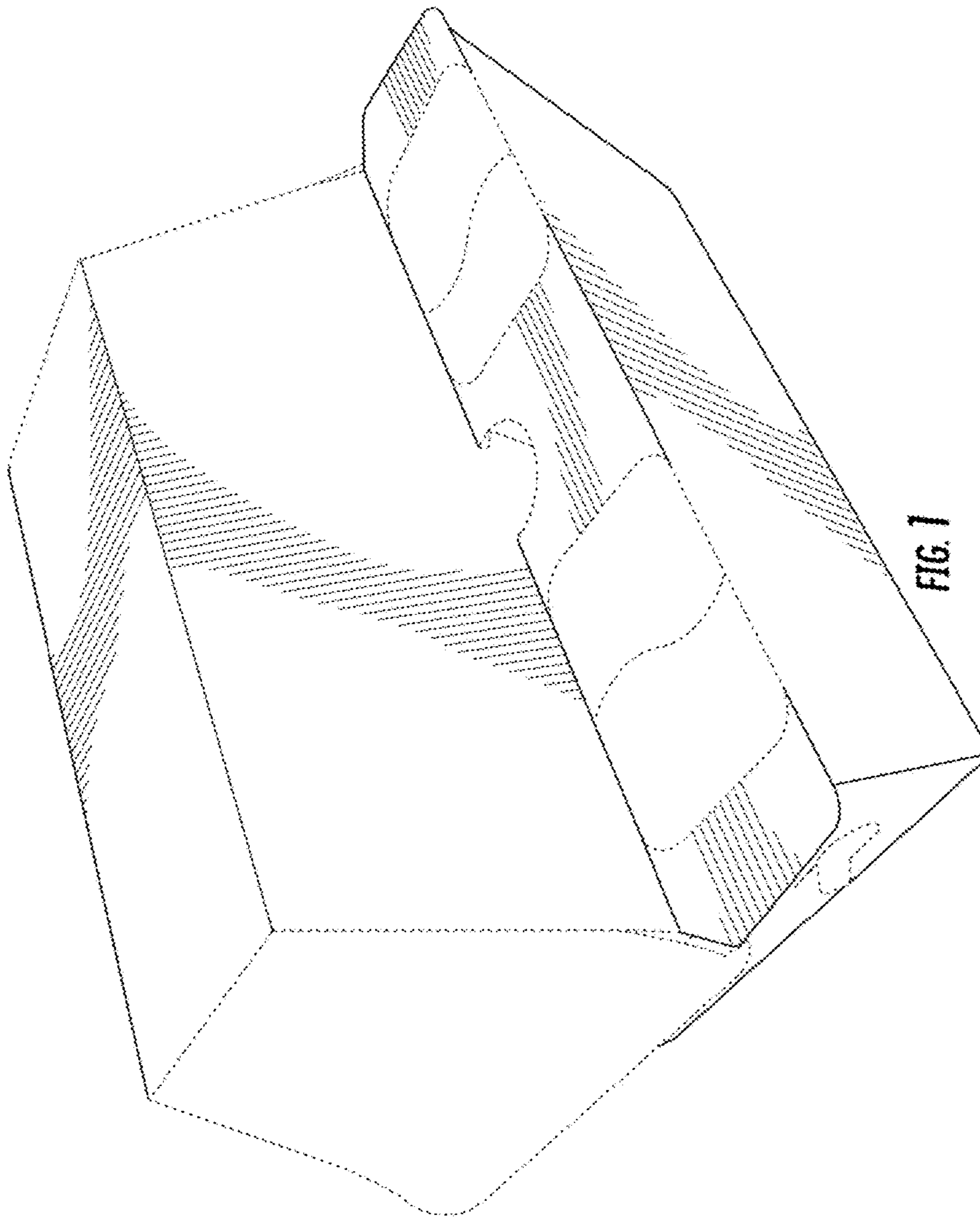
8,056,799 B2 11/2011 Burke et al.
 8,309,896 B2 11/2012 Fitzwater
 8,523,049 B2 9/2013 Fitzwater
 D695,608 S * 12/2013 Pusta D9/431
 D752,429 S * 3/2016 Mayer D9/420
 9,278,774 B2 * 3/2016 Fairchild, Jr. B65D 5/6608
 D753,994 S * 4/2016 Pantelleria D9/416
 9,346,234 B2 5/2016 Hajek et al.
 D762,468 S * 8/2016 Pantelleria D9/423
 D769,114 S * 10/2016 Montemayor D9/431
 9,499,296 B2 11/2016 Mills et al.
 9,540,135 B2 * 1/2017 Robertson B65D 5/6685
 2003/0047595 A1 3/2003 Bill-Moore
 2003/0080120 A1 5/2003 Whitmore et al.
 2003/0106926 A1 6/2003 Beatificato et al.
 2003/0206997 A1 11/2003 Winkelman et al.
 2004/0074953 A1 4/2004 Yocum
 2004/0089656 A1 5/2004 Watkins
 2004/0101605 A1 5/2004 Sigel
 2004/0159698 A1 8/2004 Tallevi et al.
 2005/0284865 A1 12/2005 Fogle et al.
 2006/0049190 A1 3/2006 Middleton
 2006/0096978 A1 5/2006 Lafferty et al.
 2006/0113300 A1 6/2006 Wnek et al.
 2006/0278521 A1 12/2006 Stowell
 2007/0131742 A1 6/2007 Fitzwater
 2007/0131743 A1 6/2007 Fitzwater
 2007/0131744 A1 6/2007 Fitzwater
 2007/0131745 A1 6/2007 Fitzwater
 2007/0138247 A1 6/2007 Fitzwater
 2007/0251942 A1 11/2007 Cole et al.
 2007/0251943 A1 11/2007 Wnek et al.
 2007/0267467 A1 11/2007 Burke et al.
 2007/0267468 A1 11/2007 Burke et al.
 2007/0275130 A1 11/2007 Cole et al.
 2008/0000897 A1 1/2008 Robbins et al.
 2008/0047958 A1 2/2008 Cole et al.
 2008/0078759 A1 4/2008 Wnek et al.
 2008/0081095 A1 4/2008 Cole et al.
 2008/0179385 A1 7/2008 Nikolai et al.
 2008/0290149 A1 11/2008 Sweet
 2008/0308614 A1 12/2008 Fitzwater
 2009/0039077 A1 2/2009 Fitzwater
 2009/0090708 A1 4/2009 Requena et al.

2009/0200364 A1 8/2009 Oliveira
 2010/0051675 A1 3/2010 Sweet
 2010/0055260 A1 3/2010 Sweet
 2010/0243510 A1 9/2010 Cross
 2014/0353307 A1 12/2014 Pinkstone

FOREIGN PATENT DOCUMENTS

DE 296 13 331 10/1996
 DE 203 00 817 4/2003
 EP 0 270 838 6/1988
 EP 1 452 458 9/2004
 EP 1 481 922 12/2004
 FR 2 516 481 5/1983
 FR 2 665 882 2/1992
 FR 2 687 384 8/1993
 FR 2 867 346 9/2005
 GB 2 365 000 2/2002
 JP 4-253670 9/1992
 JP 08-207174 8/1996
 JP 10-101056 4/1998
 JP 03095906 6/2003
 JP 2004-059022 2/2004
 JP 2004 224402 8/2004
 JP 0 3106317 10/2004
 JP 2005-170517 6/2005
 JP 2007-168832 7/2007
 JP 2012-245989 12/2012
 KR 20-0253232 11/2001
 KR 10-2005-0090313 9/2005
 WO WO 91/05448 4/1991
 WO WO 94/05563 3/1994
 WO WO 02/40374 5/2002
 WO WO 03/066435 8/2003
 WO WO 2005/077783 8/2005
 WO WO 2005/085091 9/2005
 WO WO 2006/052326 5/2006
 WO WO 2006/076501 7/2006
 WO WO 2007/067705 6/2007
 WO WO 2007/127235 11/2007
 WO WO 2007/133659 11/2007
 WO WO 2007/136839 11/2007
 WO WO 2008/137525 11/2008
 WO WO 2008/137528 11/2008
 WO WO 2009/023286 2/2009

* cited by examiner



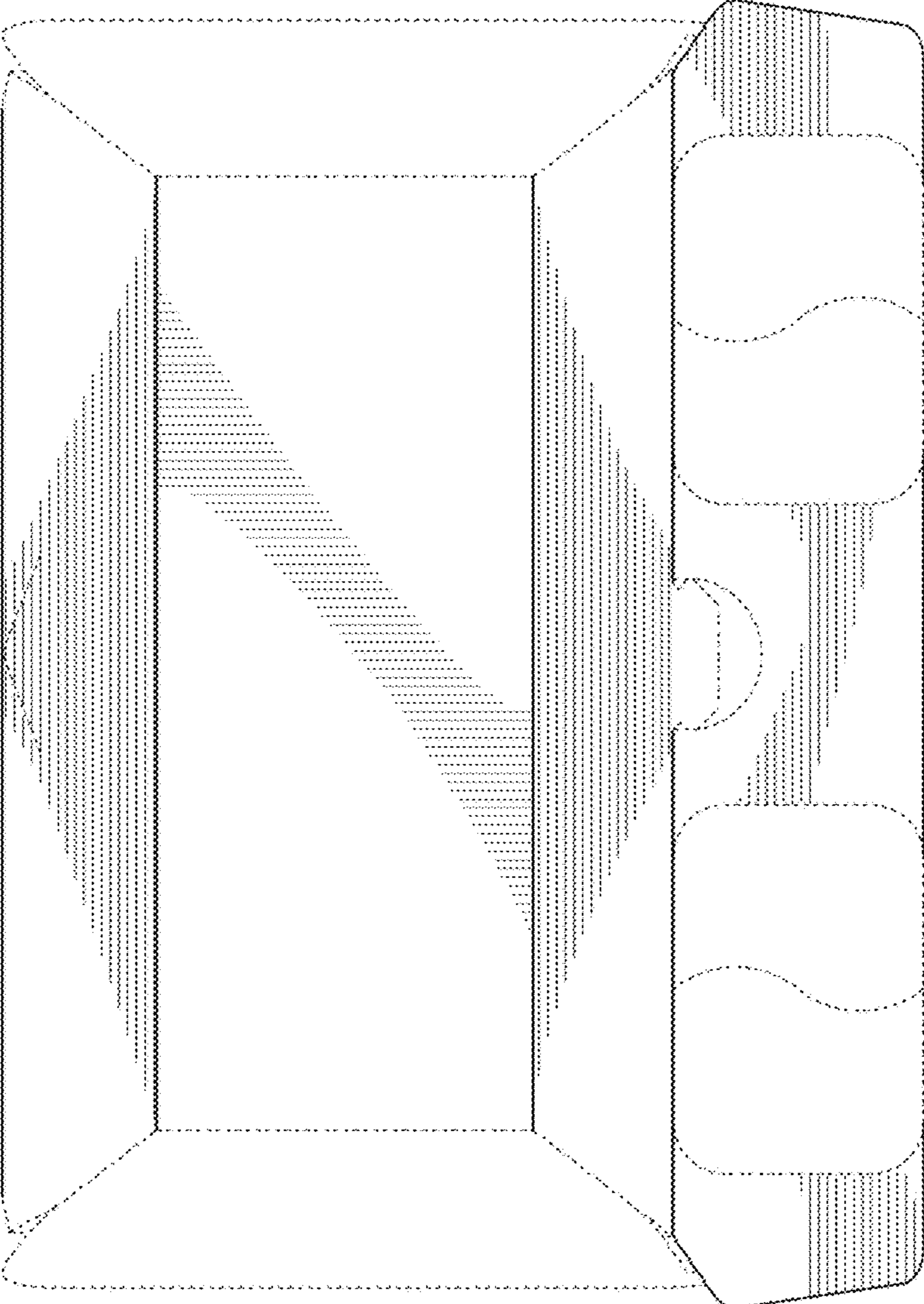


FIG. 2

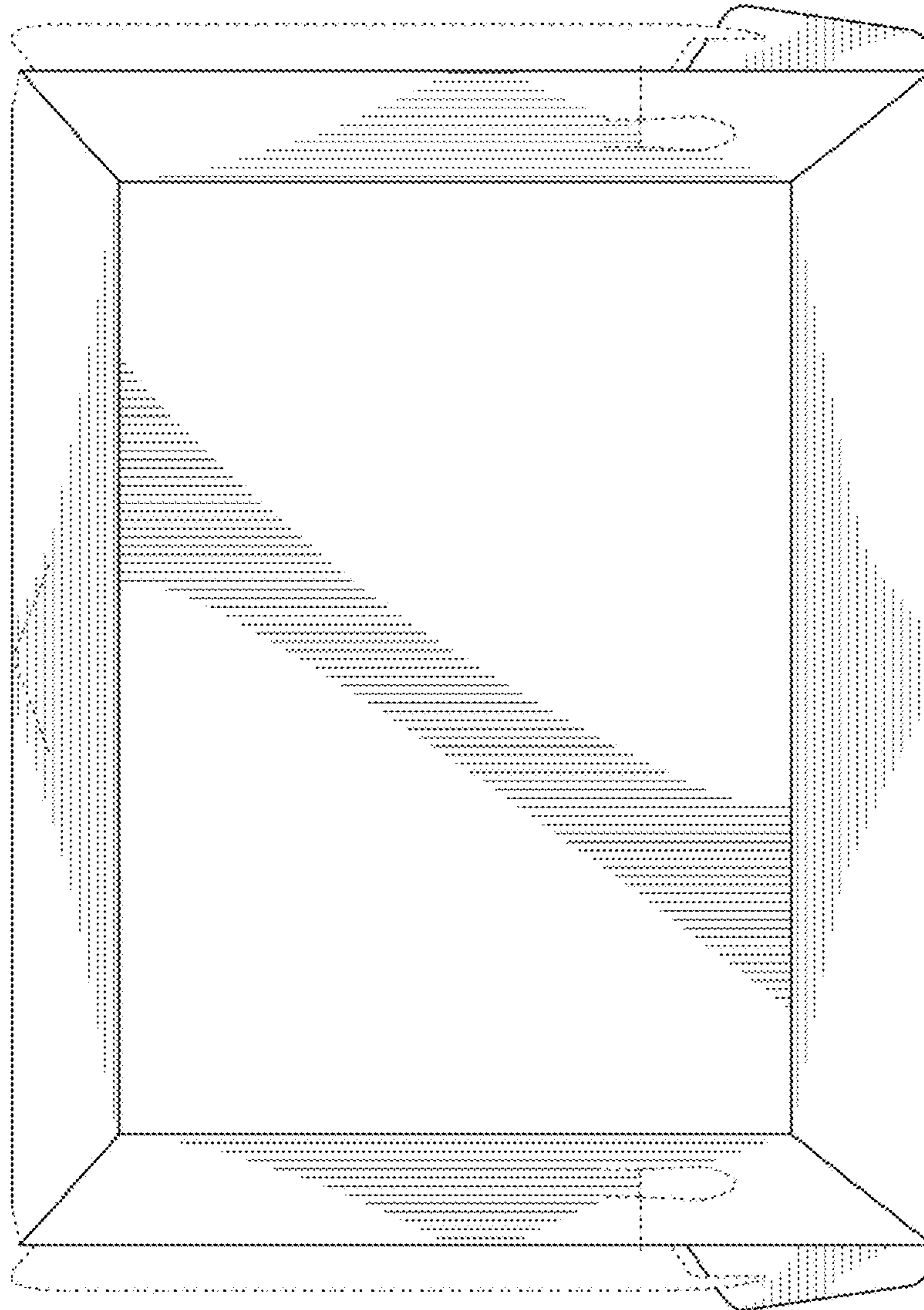


FIG. 3

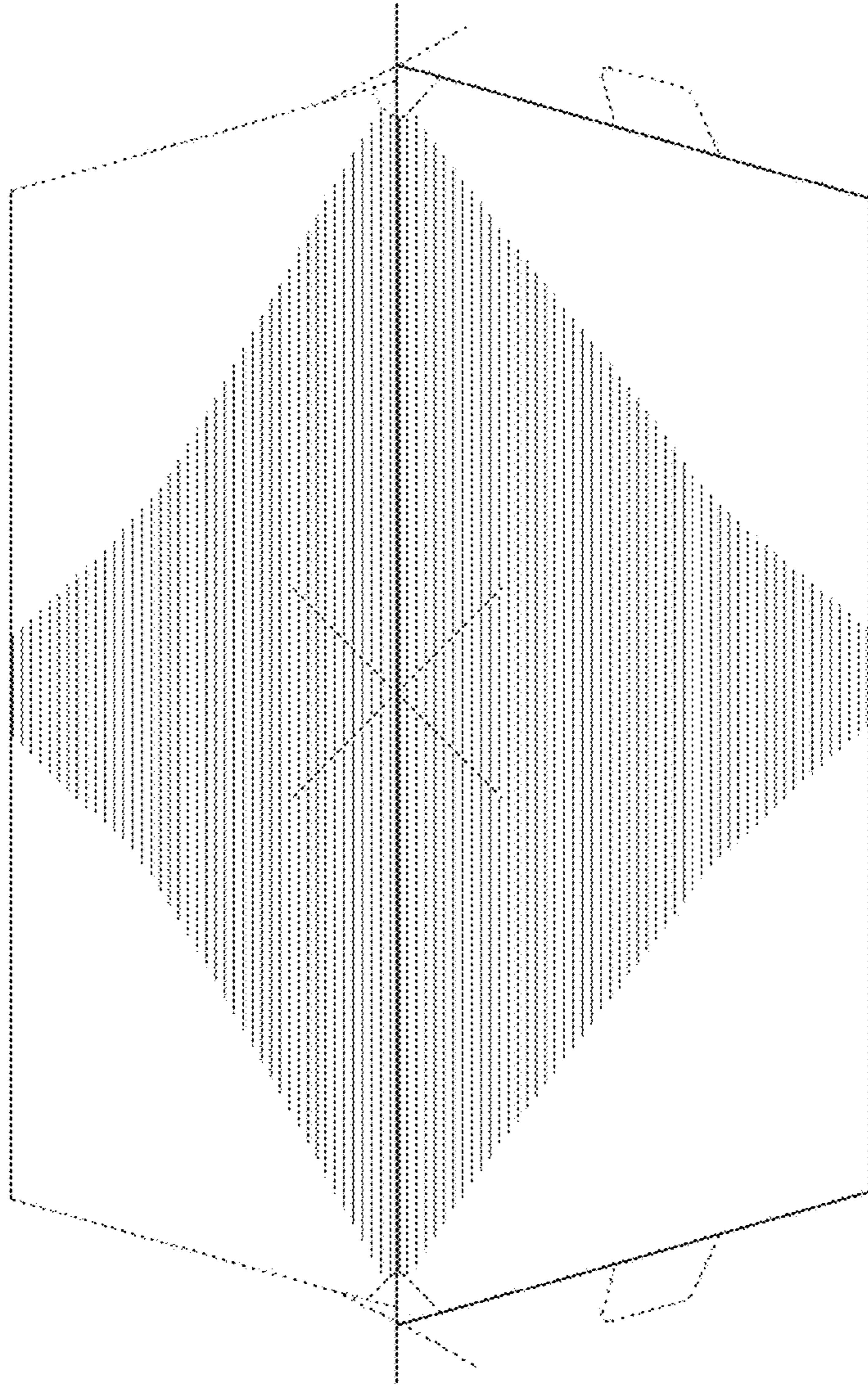


FIG. 4

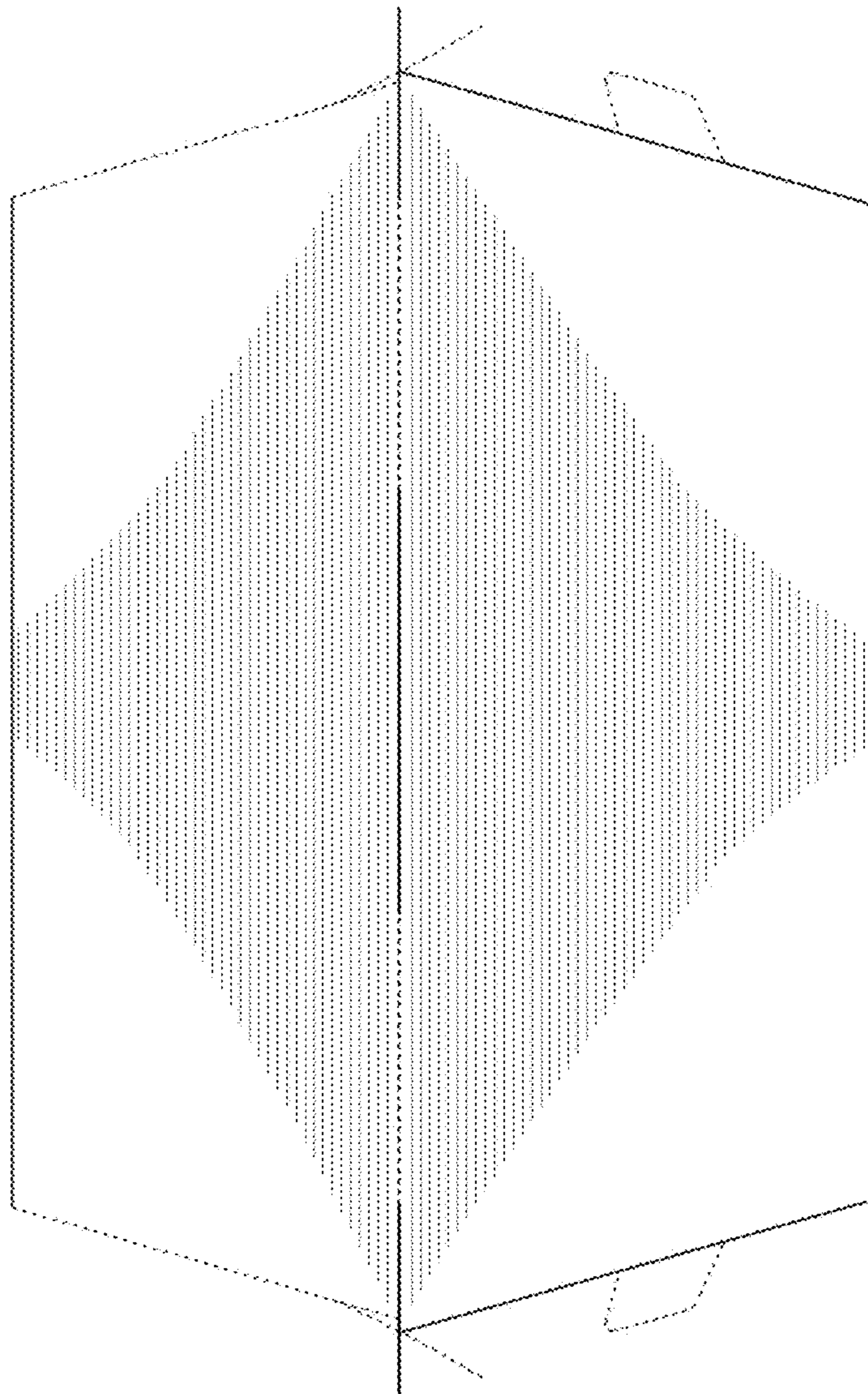


FIG. 5

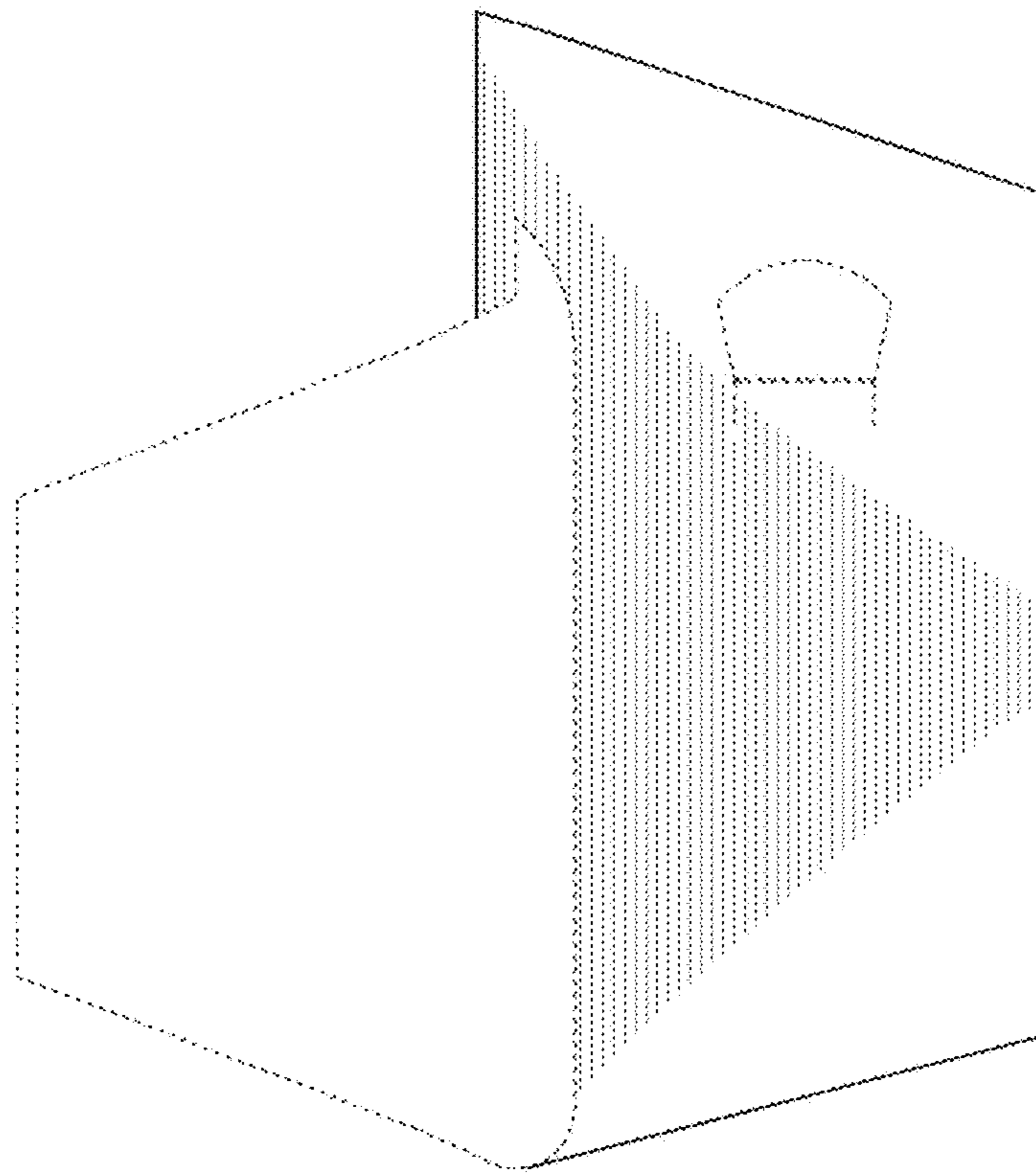


FIG. 6

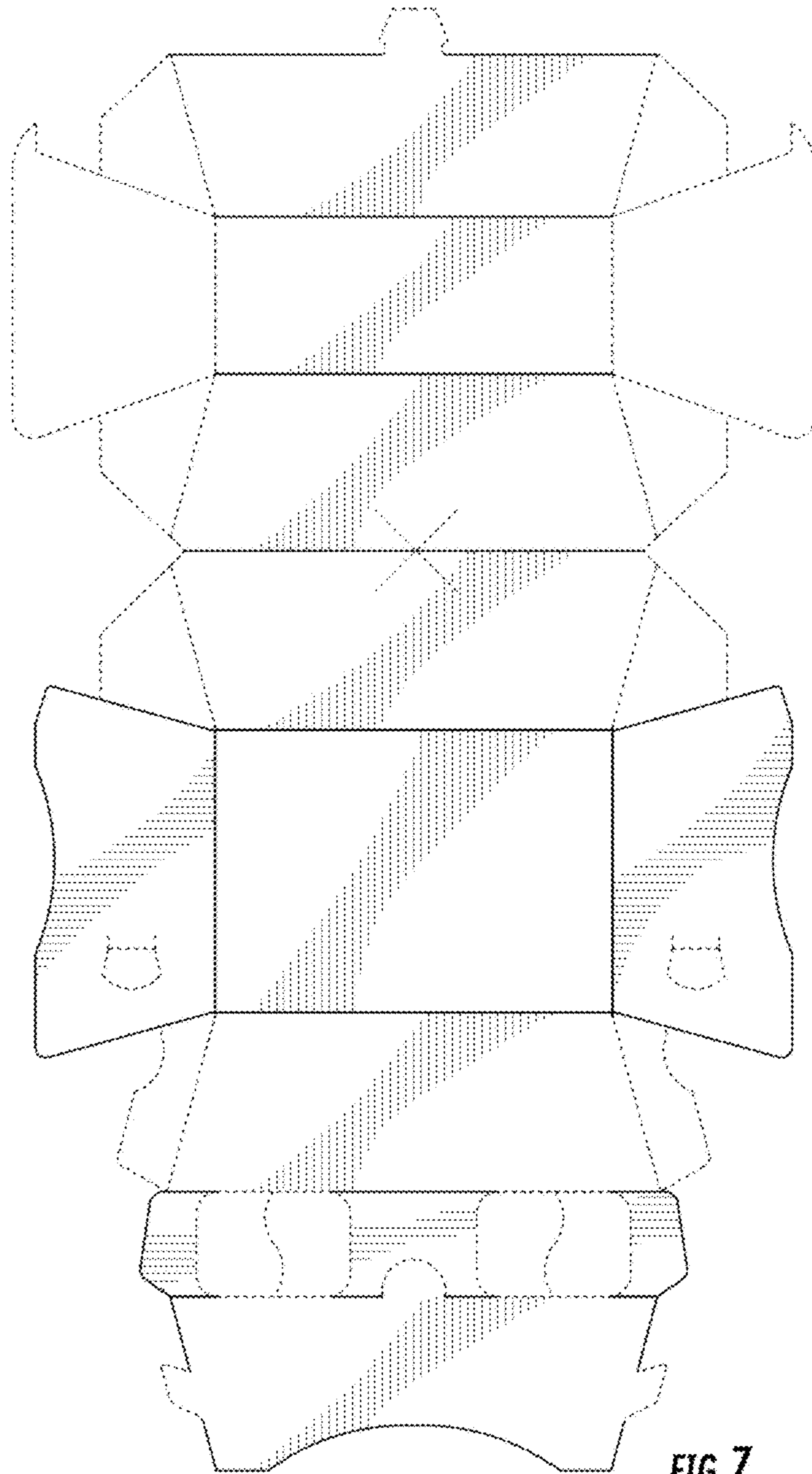


FIG. 7