



US00D842093S

(12) **United States Design Patent**
Rapparini

(10) **Patent No.:** **US D842,093 S**
(45) **Date of Patent:** **** Mar. 5, 2019**

- (54) **CAPSULE**
- (71) Applicant: **Gino Rapparini**, Bologna (IT)
- (72) Inventor: **Gino Rapparini**, Bologna (IT)
- (**) Term: **15 Years**
- (21) Appl. No.: **29/618,176**
- (22) Filed: **Sep. 19, 2017**

- D438,794 S 3/2001 Miles et al.
- D445,677 S 7/2001 Lindsay et al.
- D452,433 S 12/2001 Lazaris
- D461,369 S * 8/2002 Sims D7/509
- 6,431,389 B1 8/2002 Jerstroem et al.
- 6,648,163 B2 11/2003 Porter et al.
- D486,694 S * 2/2004 McMullin D7/529
- D502,362 S 3/2005 Lazaris et al.
- D587,995 S 3/2009 Studee
- D605,502 S 12/2009 Honda et al.
- D606,363 S 12/2009 Aardenburg
- D606,404 S 12/2009 Diss

(Continued)

Related U.S. Application Data

- (62) Division of application No. 29/572,395, filed on Jul. 27, 2016, now Pat. No. Des. 801,807.
- (51) **LOC (11) Cl.** **09-03**
- (52) **U.S. Cl.**
USPC **D9/429**
- (58) **Field of Classification Search**
USPC D9/420, 424-426, 428, 429;
206/501-509; 220/781, 791, 793,
220/811-813, 835, 839
CPC B65D 43/16; B65D 43/03; B65D 1/24;
B65D 25/04; B65D 43/0212; B65D
43/0208
See application file for complete search history.

FOREIGN PATENT DOCUMENTS

- CA 2 734 843 A1 2/2010
- EP 0 524 464 A1 1/1993

(Continued)

OTHER PUBLICATIONS

- International Search Report for International Application No. PCT/IB2011/001278, dated Oct. 20, 2011, 2 pages.
- International Search Report for International Application No. PCT/IB2011/001273, dated Oct. 21, 2011, 2 pages.

Primary Examiner — Derrick E Holland
Assistant Examiner — Janice Patyk
 (74) *Attorney, Agent, or Firm* — Brinks Gilson & Lione

(56) **References Cited**

U.S. PATENT DOCUMENTS

- D204,212 S * 3/1966 Davis D7/531
- 3,237,834 A * 3/1966 Davis B29C 51/14
220/DIG. 14
- 3,440,951 A 4/1969 Barrera
- 3,495,736 A * 2/1970 Ragettli A47J 47/18
206/515
- D256,762 S * 9/1980 Scott D7/360
- D260,243 S 8/1981 Dogliotti
- D288,063 S 2/1987 Tyler
- D306,974 S 4/1990 Tholstrup
- D383,646 S 9/1997 Jeppesen et al.
- D423,879 S * 5/2000 Lin D7/509

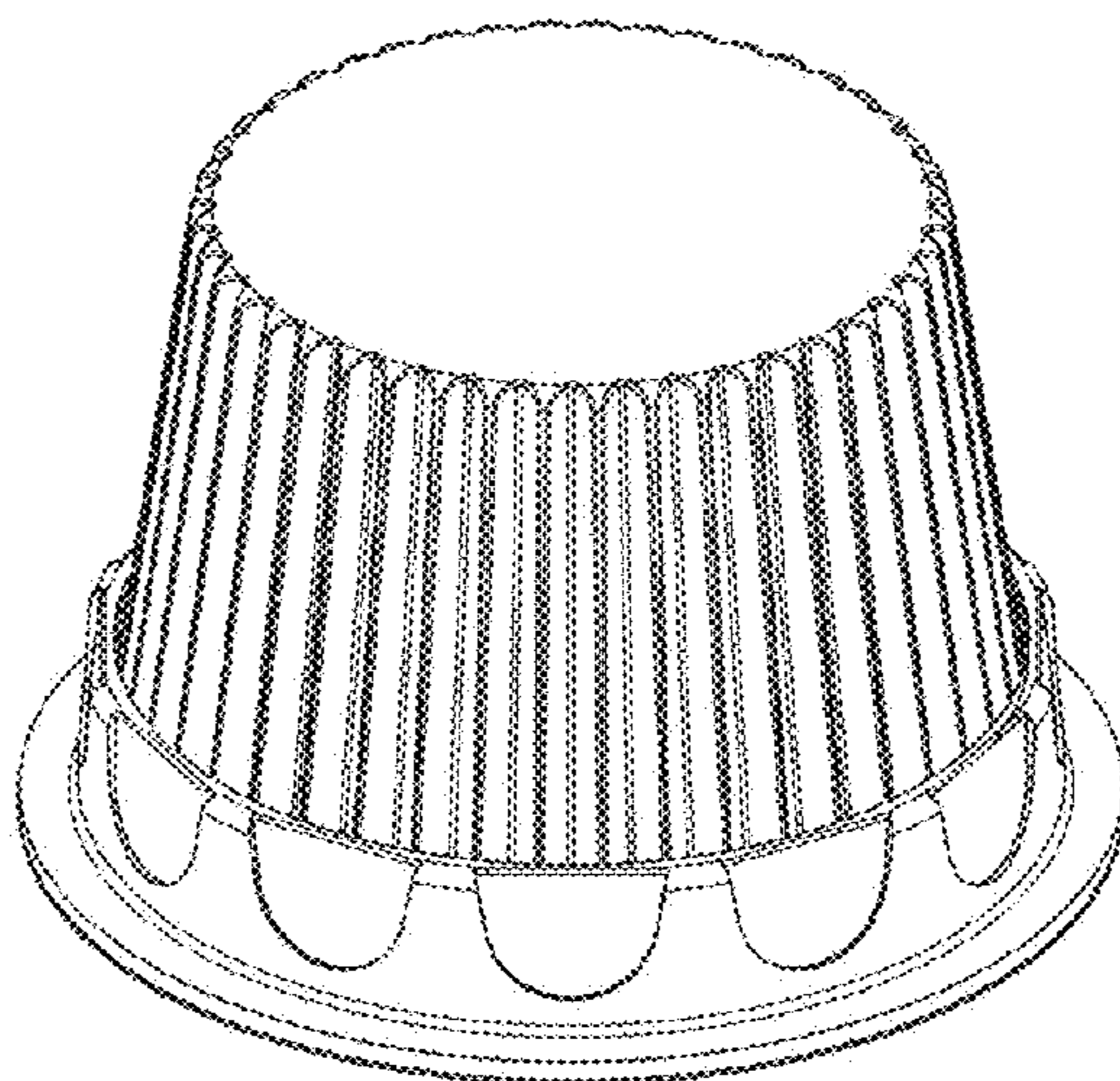
(57) **CLAIM**

The ornamental design for a capsule, as shown and described.

DESCRIPTION

FIG. 1 is a top perspective view of a capsule;
 FIG. 2 is a top plan view thereof; and,
 FIG. 3 is a front elevation view thereof, where the right side elevation, left side elevation, and rear elevation views are the same.

1 Claim, 3 Drawing Sheets



(56)

References Cited

U.S. PATENT DOCUMENTS

D612,732	S	3/2010	Takata et al.
D627,636	S	11/2010	Fang
D628,883	S	12/2010	Stephens
D637,484	S	5/2011	Winkler
D644,924	S	9/2011	Lin
D647,397	S	10/2011	Inaba
D651,865	S	1/2012	Smyers
D652,266	S	1/2012	Smyers
D668,538	S	10/2012	Knutson et al.
D682,675	S	5/2013	Rapparini
D685,631	S	7/2013	Rapparini
D692,759	S	11/2013	Rapparini
D692,760	S	11/2013	Rapparini
D695,615	S	12/2013	Rapparini
D697,801	S	1/2014	Rapparini
D726,006	S	4/2015	Rapparini
D730,734	S	6/2015	Rapparini
D736,614	S	8/2015	Rapparini
D750,481	S	3/2016	Rapparini
D750,482	S	3/2016	Rapparini
D751,385	S	3/2016	Rapparini
2007/0148290	A1	6/2007	Ternite et al.
2011/0111098	A1	5/2011	Ricotti

FOREIGN PATENT DOCUMENTS

EP	1 792 850	A1	6/2007
FR	1 543 608		10/1968

* cited by examiner

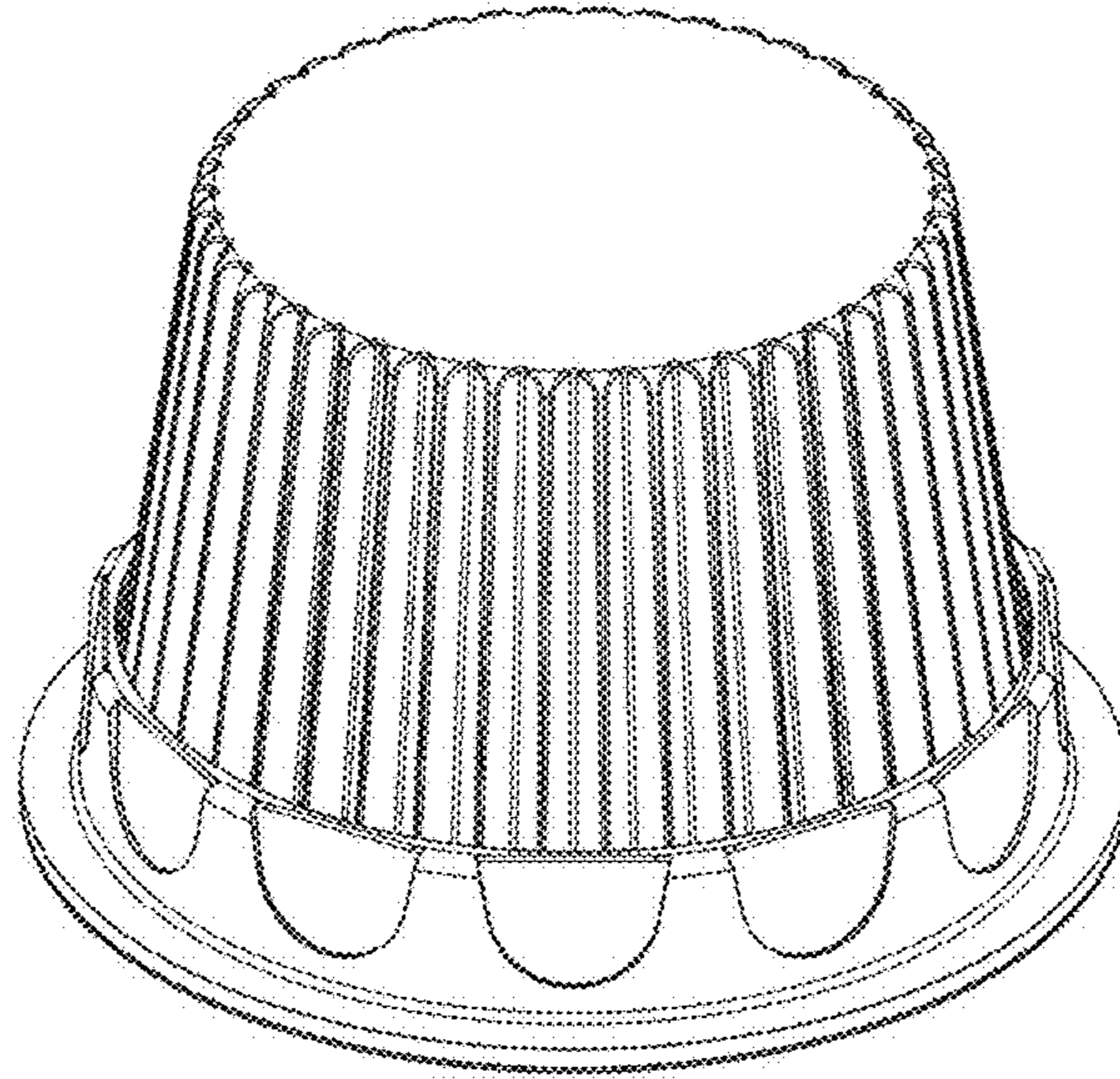


FIG. 1

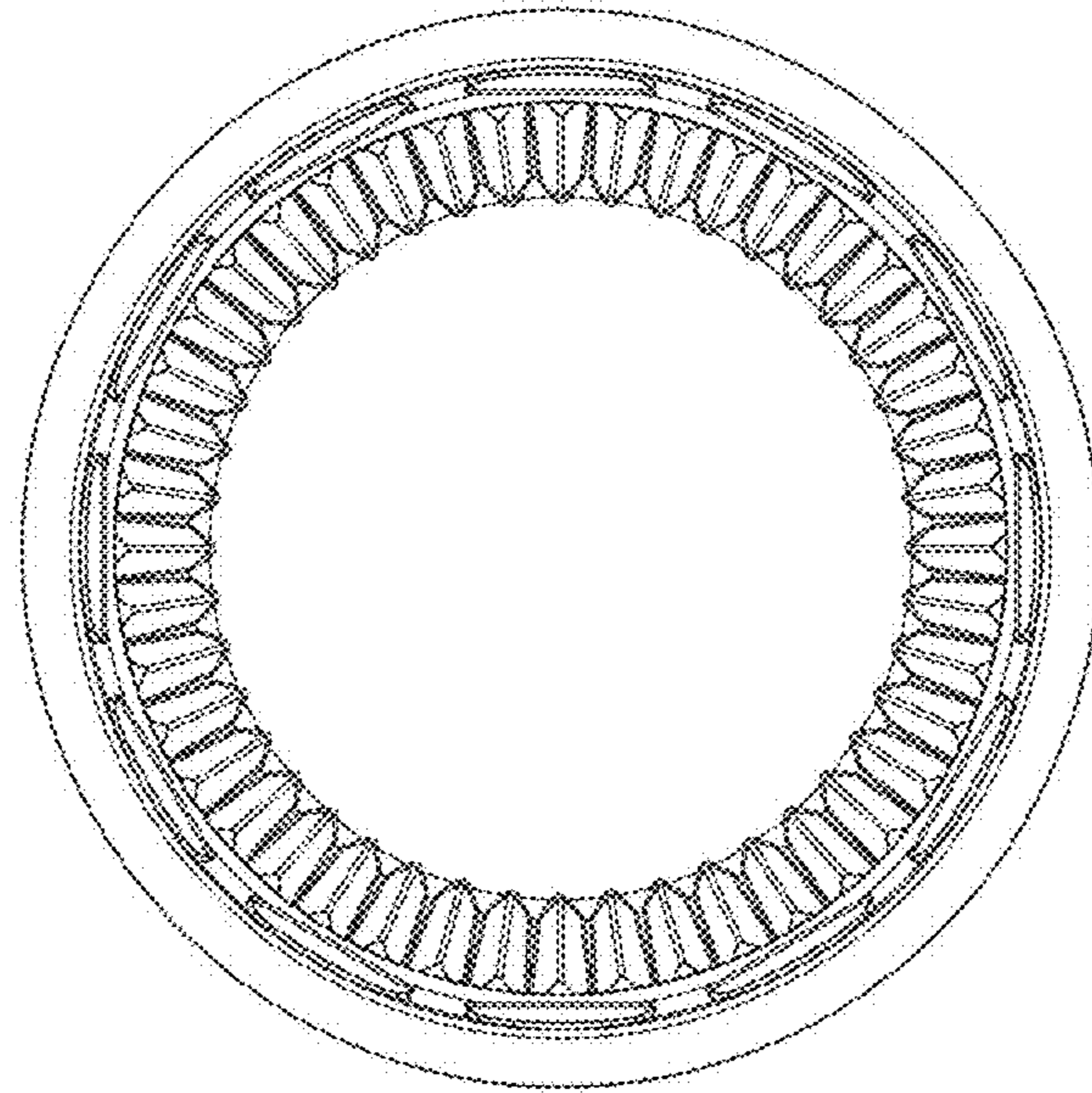


FIG. 2

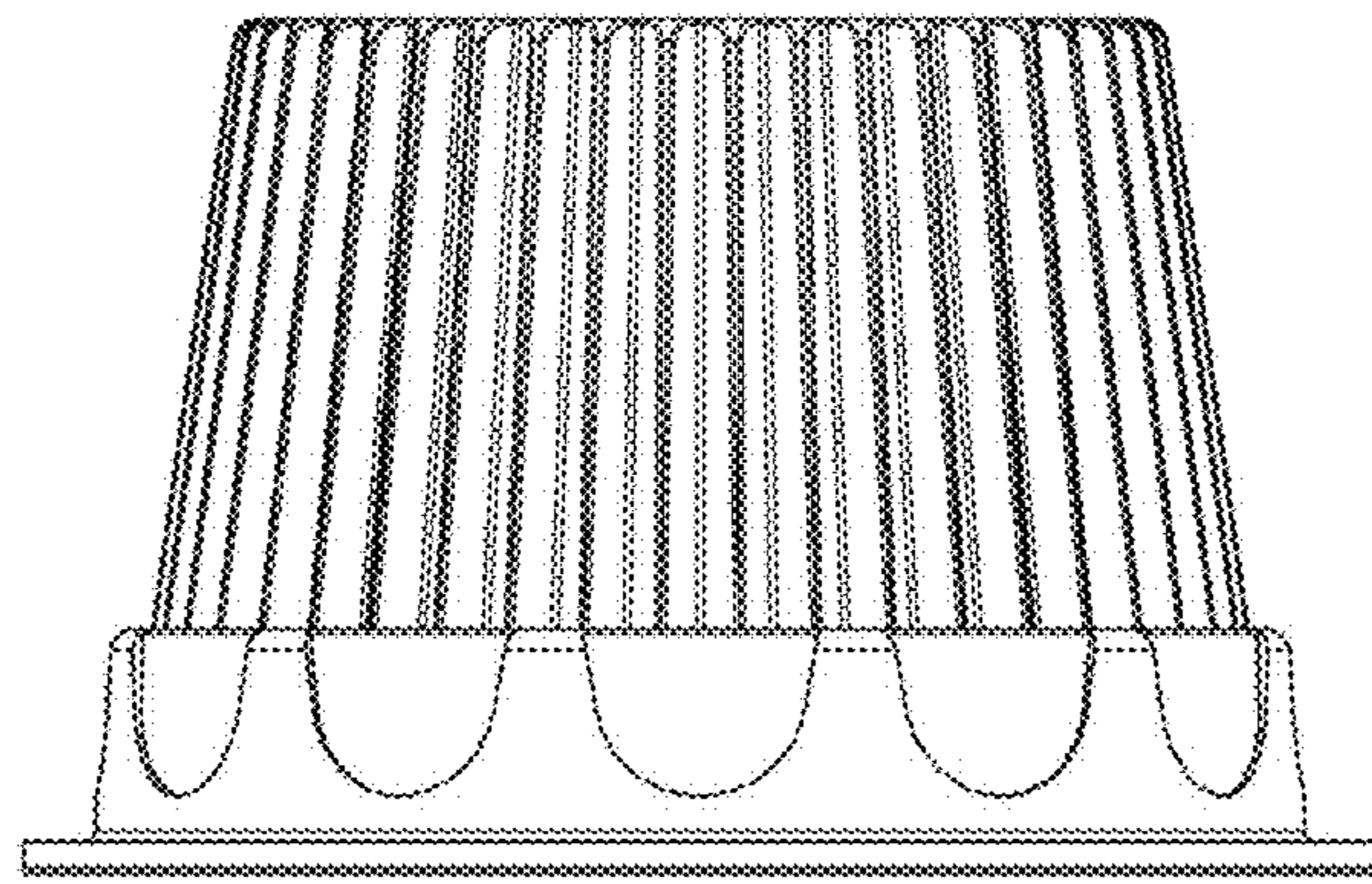


FIG. 3