



US00D842092S

(12) **United States Design Patent**
Toledo

(10) **Patent No.:** **US D842,092 S**

(45) **Date of Patent:** **** Mar. 5, 2019**

(54) **TRANSPARENT DOOR LOCK DISPLAY PACKAGE**

(71) Applicant: **Jorge Toledo**, Dorado, PR (US)

(72) Inventor: **Jorge Toledo**, Dorado, PR (US)

(**) Term: **15 Years**

(21) Appl. No.: **29/573,596**

(22) Filed: **Aug. 8, 2016**

Related U.S. Application Data

(63) Continuation-in-part of application No. 29/476,763, filed on Dec. 17, 2013, now abandoned, and a continuation-in-part of application No. 29/509,833, filed on Nov. 21, 2014, now Pat. No. Des. 777,570.

(51) **LOC (11) Cl.** **09-03**

(52) **U.S. Cl.**
USPC **D9/425**

(58) **Field of Classification Search**
USPC D9/414–416, 418, 420, 424–426,
D9/428–430, 432, 434, 435, 455–457,
D9/499
CPC B65D 75/323; B65D 75/367
See application file for complete search history.

(56) **References Cited**

U.S. PATENT DOCUMENTS

D184,525 S *	3/1959	Lurie	D9/424
3,939,979 A *	2/1976	Neumayer	B65D 75/366 206/461
D294,123 S *	2/1988	Hill	D9/415
D369,547 S *	5/1996	Dahlheimer	D9/415
D370,174 S *	5/1996	Bergstedt	D9/415
6,079,561 A *	6/2000	Burkard	B65D 75/323 206/459.5
D466,009 S *	11/2002	Humphrey	D9/415
D469,686 S *	2/2003	Yang	D9/415
D471,099 S *	3/2003	Yang	D9/415
D519,026 S *	4/2006	Shing	D9/415
D538,638 S *	3/2007	Dunshee	D9/420

(Continued)

OTHER PUBLICATIONS

Wilko. Yale Replacement Door Lock Cylinder Maximum Security Part No. PKM3545. Feb. 21, 2017 [earliest online date], [site visited Jun. 2, 2017]. Available from Internet, URL: <http://www.wilko.com/all-door-handles+knobs/yale-replacement-door-lock-cylinder-maximum-security-part-number-pkm3545/invt/0345441>.*

Primary Examiner — George D. Kirschbaum

Assistant Examiner — Darcey E Heflin

(74) *Attorney, Agent, or Firm* — Eugenio J. Torres-Oyola; Victor M. Rodriguez-Reyes; Rafael Rodriguez-Muriel

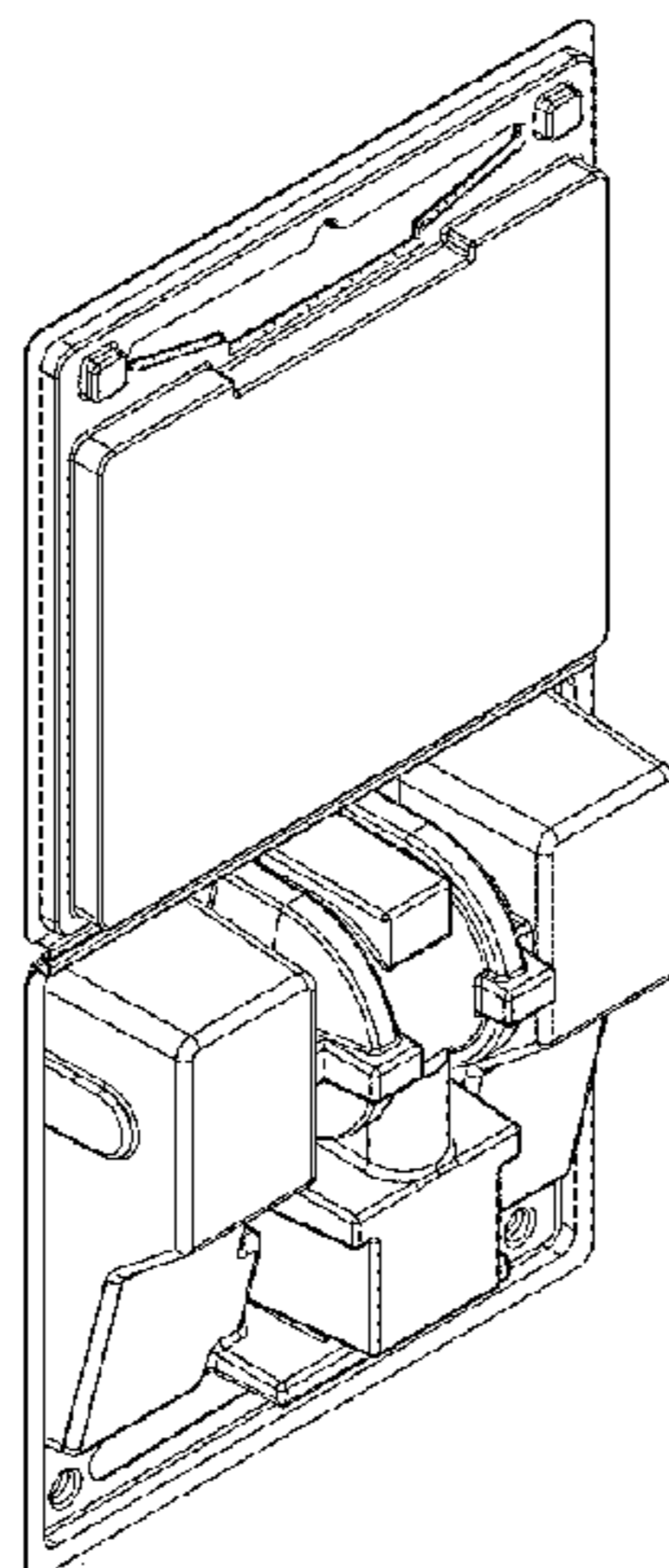
(57) **CLAIM**

The ornamental design for a transparent door lock display package, as shown and described.

DESCRIPTION

FIG. 1 is a front view of a transparent door lock display package showing the present design.
FIG. 2 is an enlarged front view of the upper section of the package taken in the direction of line 2 of FIG. 1.
FIG. 3 is an enlarged front view of the lower section of the package taken in the direction of line 3 of FIG. 1.
FIG. 4 is a right side view of the transparent door lock display package showing the present design.
FIG. 5 is a left side view of the transparent door lock display package showing the present design.
FIG. 6 is a bottom view of the transparent door lock display package showing the present design.
FIG. 7 is top view of the transparent door lock display package showing the present design.
FIG. 8 is rear perspective view of the transparent door lock display package showing the present design; and,
FIG. 9 is a front-perspective view of the transparent door lock display package showing the present design.
The broken lines shown in the drawings form no part of the claimed design.

1 Claim, 8 Drawing Sheets



(56)

References Cited

U.S. PATENT DOCUMENTS

D620,350	S	*	7/2010	Hernandez	D9/425
D628,070	S	*	11/2010	Ma	D9/456
D628,071	S	*	11/2010	He	D9/456
D630,528	S	*	1/2011	Dombrowski	D9/415
D642,048	S	*	7/2011	Ocampo	D9/424
D654,359	S	*	2/2012	Fleming	D9/424
D661,188	S	*	6/2012	Fahy	D9/456
D661,189	S	*	6/2012	Fahy	D9/456
D697,398	S	*	1/2014	Guevara-Ludt	D9/415
D739,226	S	*	9/2015	Hagl	D9/416
D758,850	S	*	6/2016	Dibnah	D9/429
D767,987	S	*	10/2016	Wu	D9/415
D777,570	S	*	1/2017	Toledo	D9/425

* cited by examiner

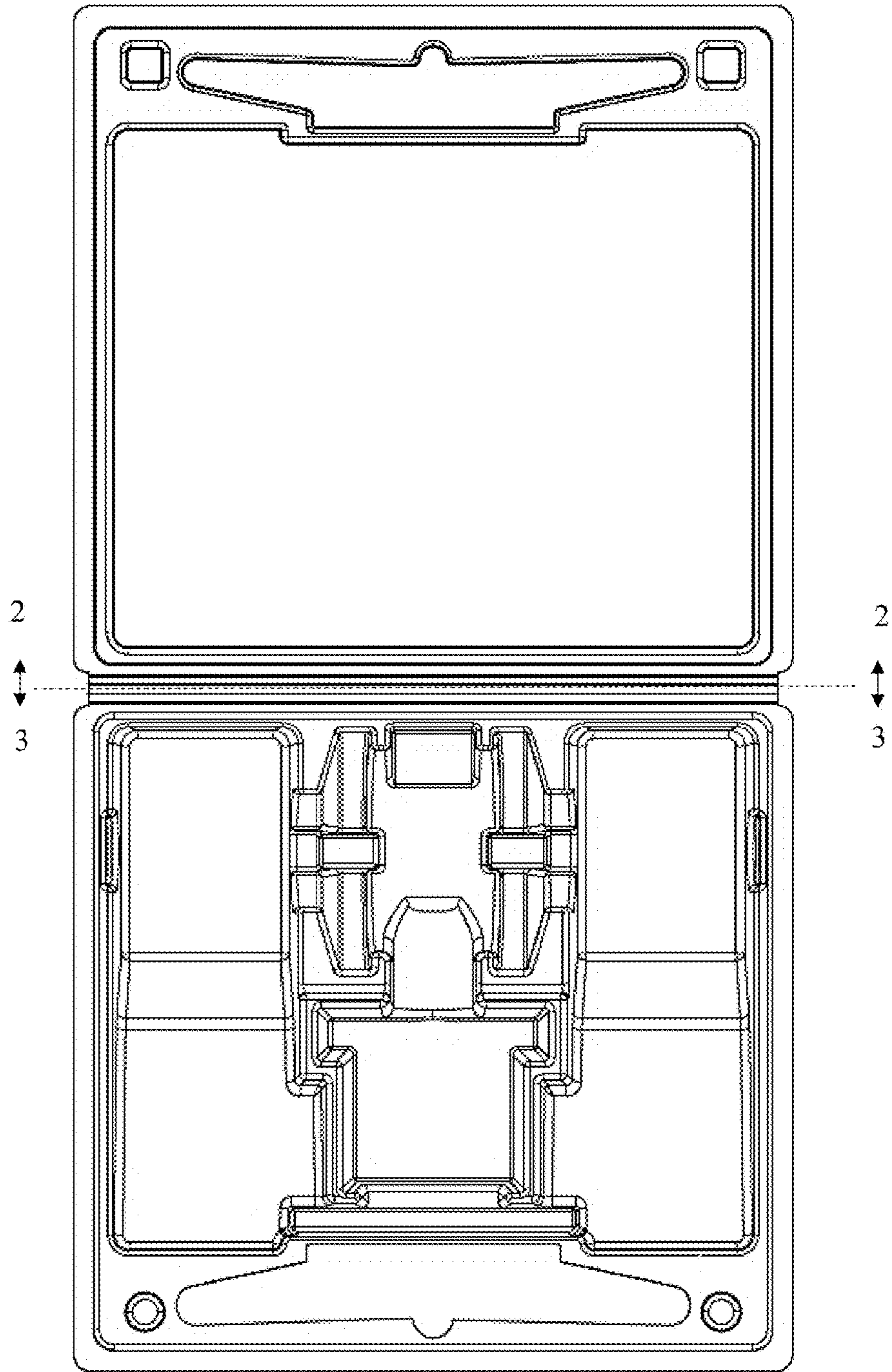


Fig. 1

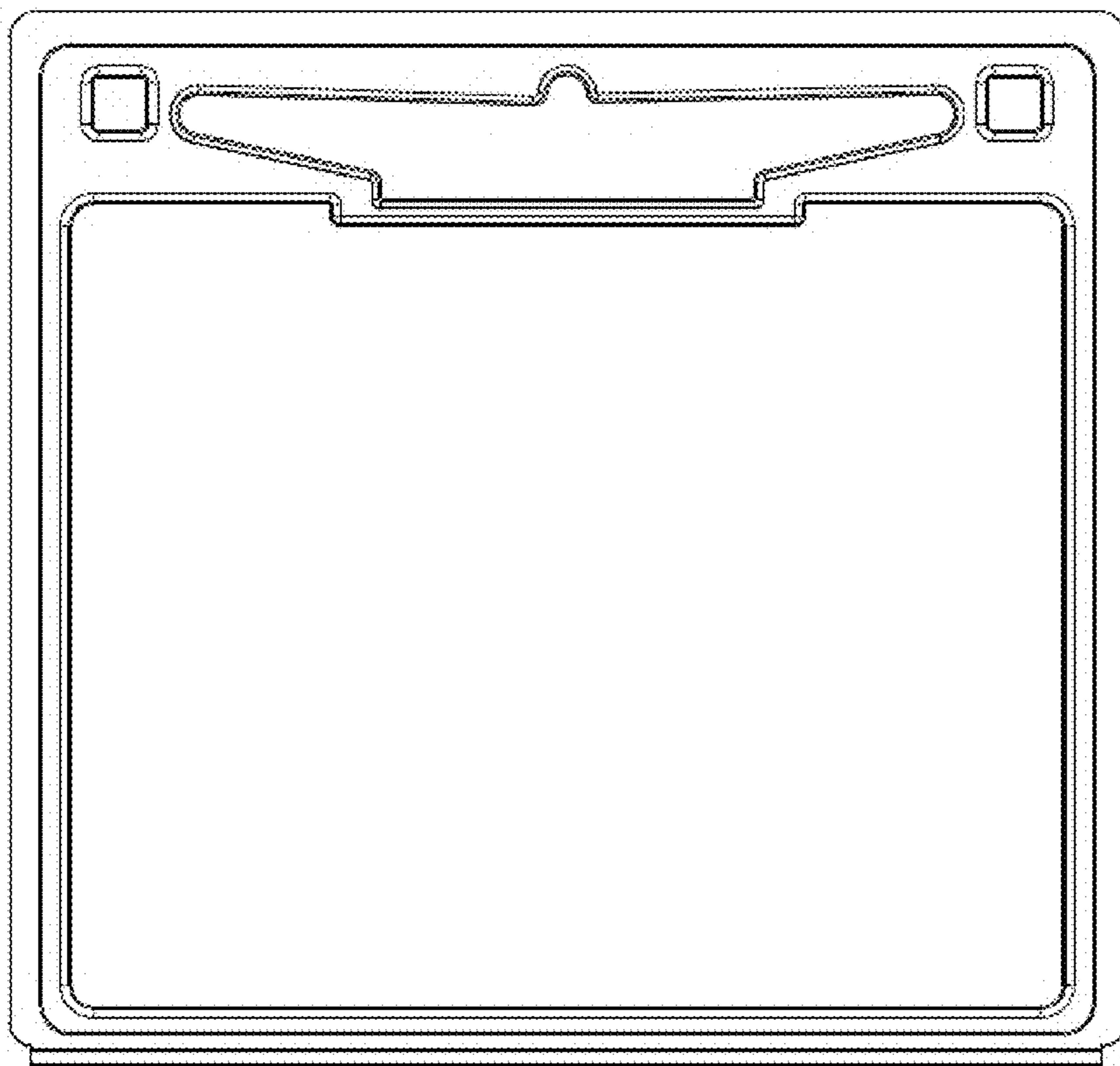


Fig. 2

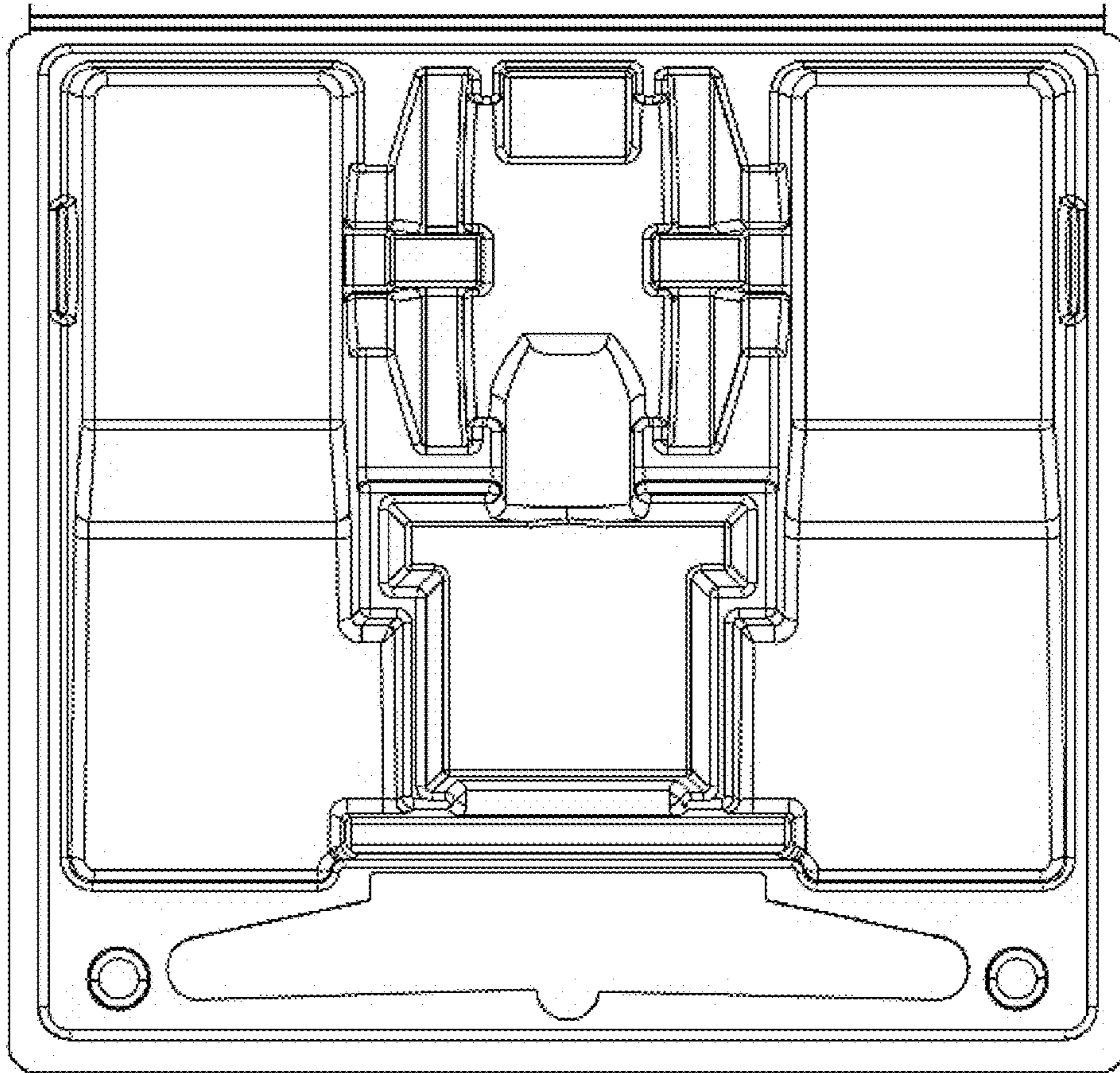


Fig. 3

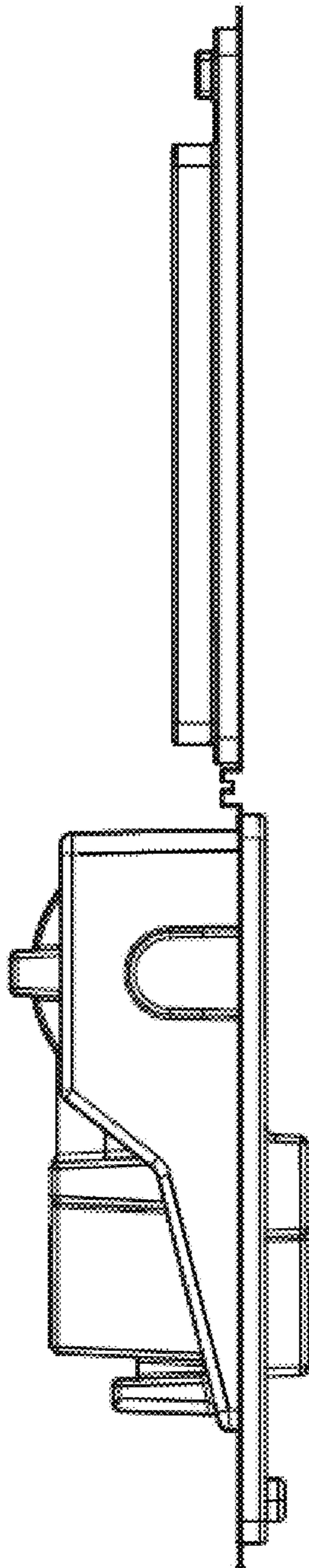


Fig. 4

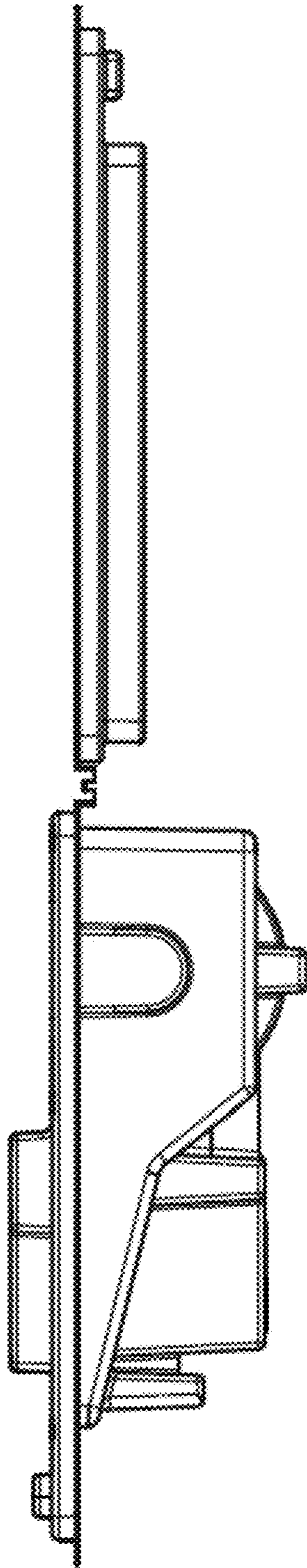


Fig. 5

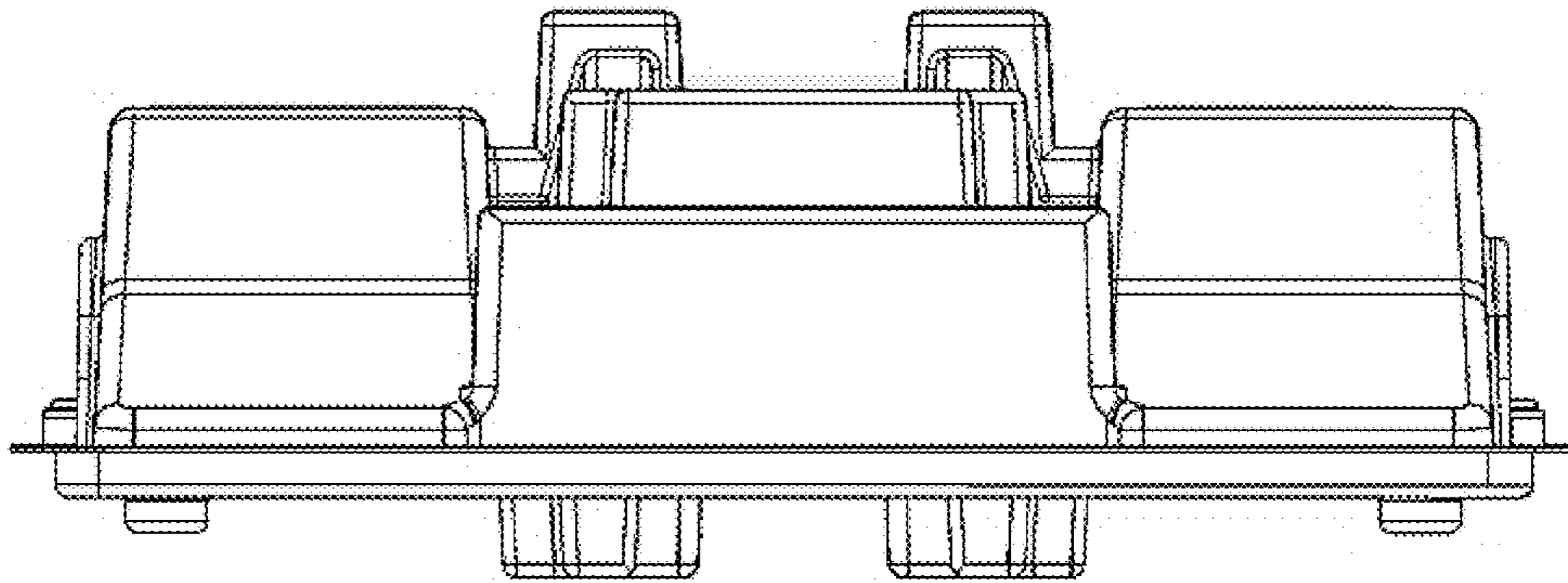


Fig. 6

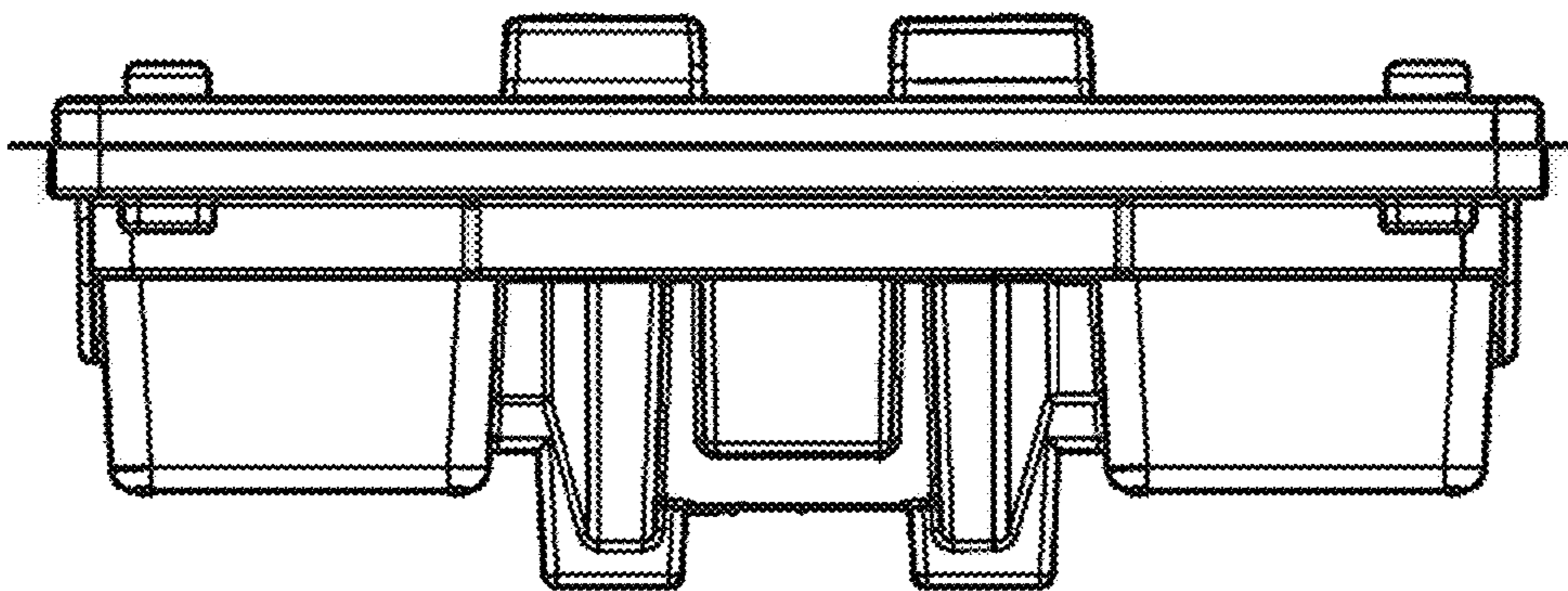


Fig. 7

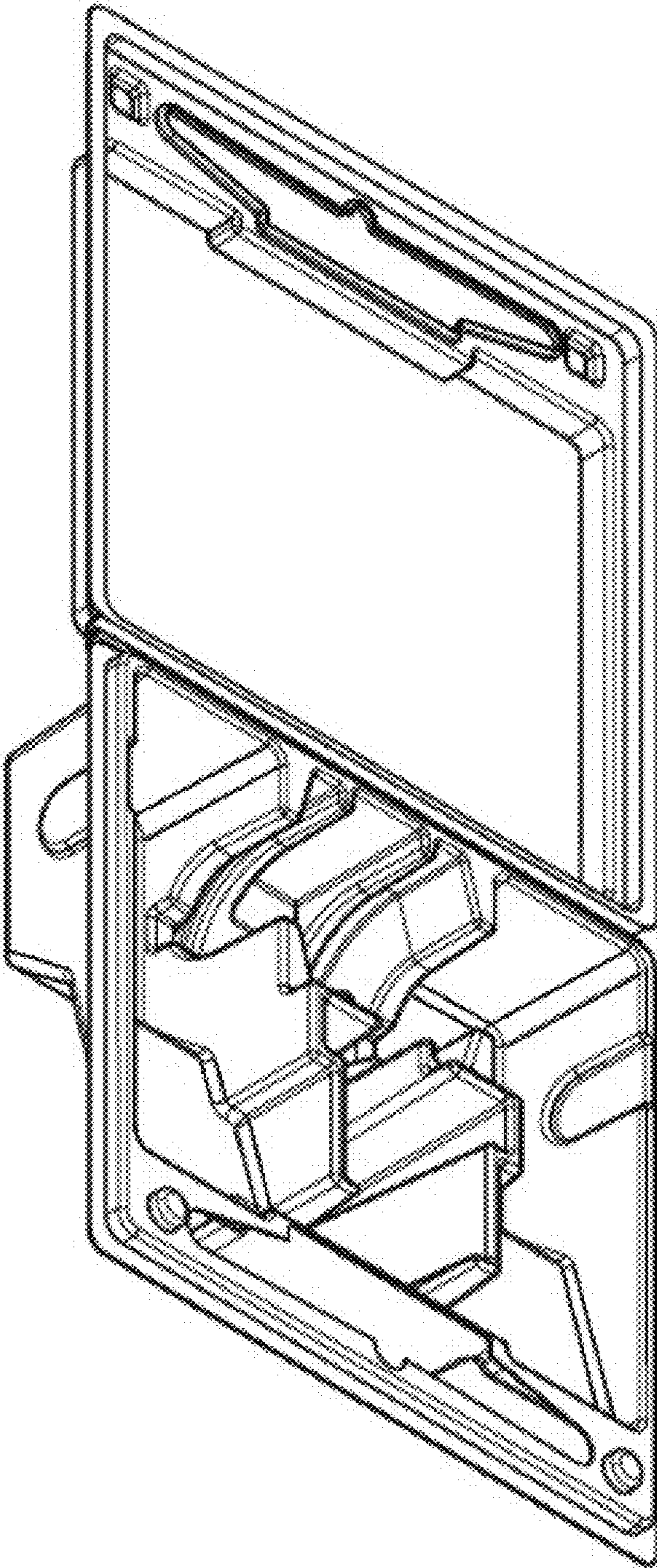


Fig. 8

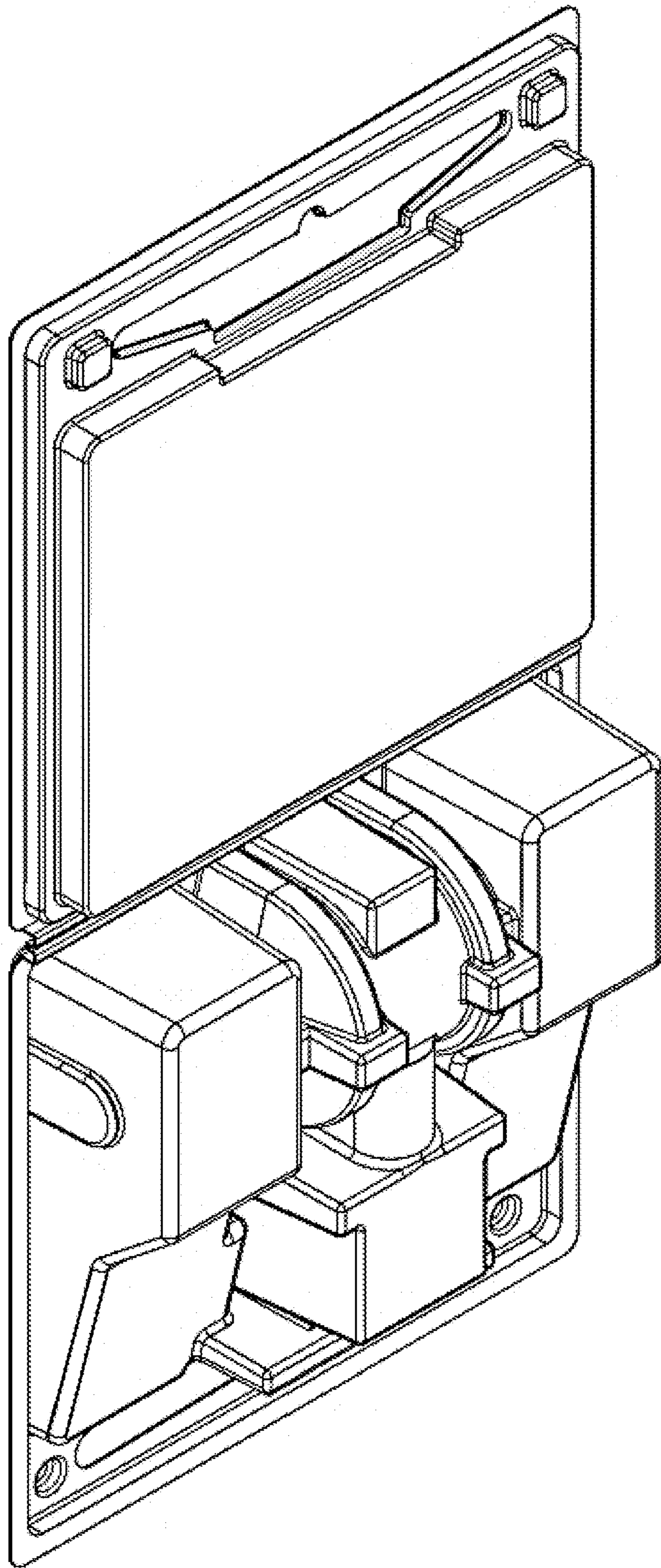


Fig. 9