



US00D842091S

(12) **United States Design Patent**  
**Delle Cese et al.**

(10) **Patent No.:** **US D842,091 S**  
(45) **Date of Patent:** **\*\* Mar. 5, 2019**

- (54) **PACKAGING**
- (71) Applicant: **Apple Inc.**, Cupertino, CA (US)
- (72) Inventors: **Francesca Amor Delle Cese**, San Francisco, CA (US); **Lorraine Y. Tang**, San Francisco, CA (US); **Mark T. Uyeda**, Campbell, CA (US)
- (73) Assignee: **Apple Inc.**, Cupertino, CA (US)
- (\*\*) Term: **15 Years**
- (21) Appl. No.: **29/643,333**
- (22) Filed: **Apr. 6, 2018**

**Related U.S. Application Data**

- (63) Continuation of application No. 29/588,231, filed on Dec. 19, 2016, now Pat. No. Des. 814,919, which is a continuation of application No. 29/519,936, filed on Mar. 9, 2015, now Pat. No. Des. 774,899, which is a continuation-in-part of application No. 29/519,821, filed on Mar. 9, 2015, now Pat. No. Des. 779,932.

- (51) **LOC (11) Cl.** ..... **09-03**
- (52) **U.S. Cl.**  
USPC ..... **D9/419**
- (58) **Field of Classification Search**  
USPC ..... D9/414-419, 499, 431-434, 721, 456, D9/443, 438, 737, 722; D7/505, 392, D7/392.1; D3/313; D11/131.1; D14/480.3; D1/106; D30/101; D26/85; D6/300; 206/349, 320; 126/261  
CPC .. B65D 5/6664; B65D 85/40; B65D 73/0078; B25H 3/006; A47G 19/03; A47G 23/06  
See application file for complete search history.

- (56) **References Cited**  
U.S. PATENT DOCUMENTS

1,514,379 A \* 11/1924 Fleischer ..... 126/261  
 3,381,876 A \* 5/1968 Biggins ..... A47G 23/06  
 206/229

3,679,093 A \* 7/1972 Chang ..... A47G 19/03  
 206/542  
 D308,941 S \* 7/1990 Kong ..... D7/505  
 D356,499 S \* 3/1995 Cautereels ..... D9/434  
 5,441,152 A \* 8/1995 Estes ..... B25H 3/006  
 206/349  
 D368,221 S \* 3/1996 Montague ..... D9/722  
 D372,582 S \* 8/1996 Beaty ..... D3/313  
 D398,524 S \* 9/1998 Waterhouse ..... D9/737  
 6,305,539 B1 \* 10/2001 Sanders, Jr. .... B65D 5/6664  
 206/320  
 D527,674 S \* 9/2006 Biglarians ..... D11/131.1  
 D564,830 S \* 3/2008 Holmes ..... D7/392  
 D605,469 S \* 12/2009 Wingfield ..... D7/505  
 D647,532 S \* 10/2011 Busch ..... D14/480.3  
 D661,186 S \* 6/2012 Snyder ..... 435/447  
 D679,181 S \* 4/2013 Vogel ..... D9/443  
 D688,027 S \* 8/2013 Smith ..... D1/106  
 D698,199 S \* 1/2014 Yessin ..... D7/392.1  
 D704,987 S \* 5/2014 Stamper ..... D7/392.1

(Continued)

*Primary Examiner* — Rhea Shields  
 (74) *Attorney, Agent, or Firm* — Sterne, Kessler,  
 Goldstein & Fox P.L.L.C.

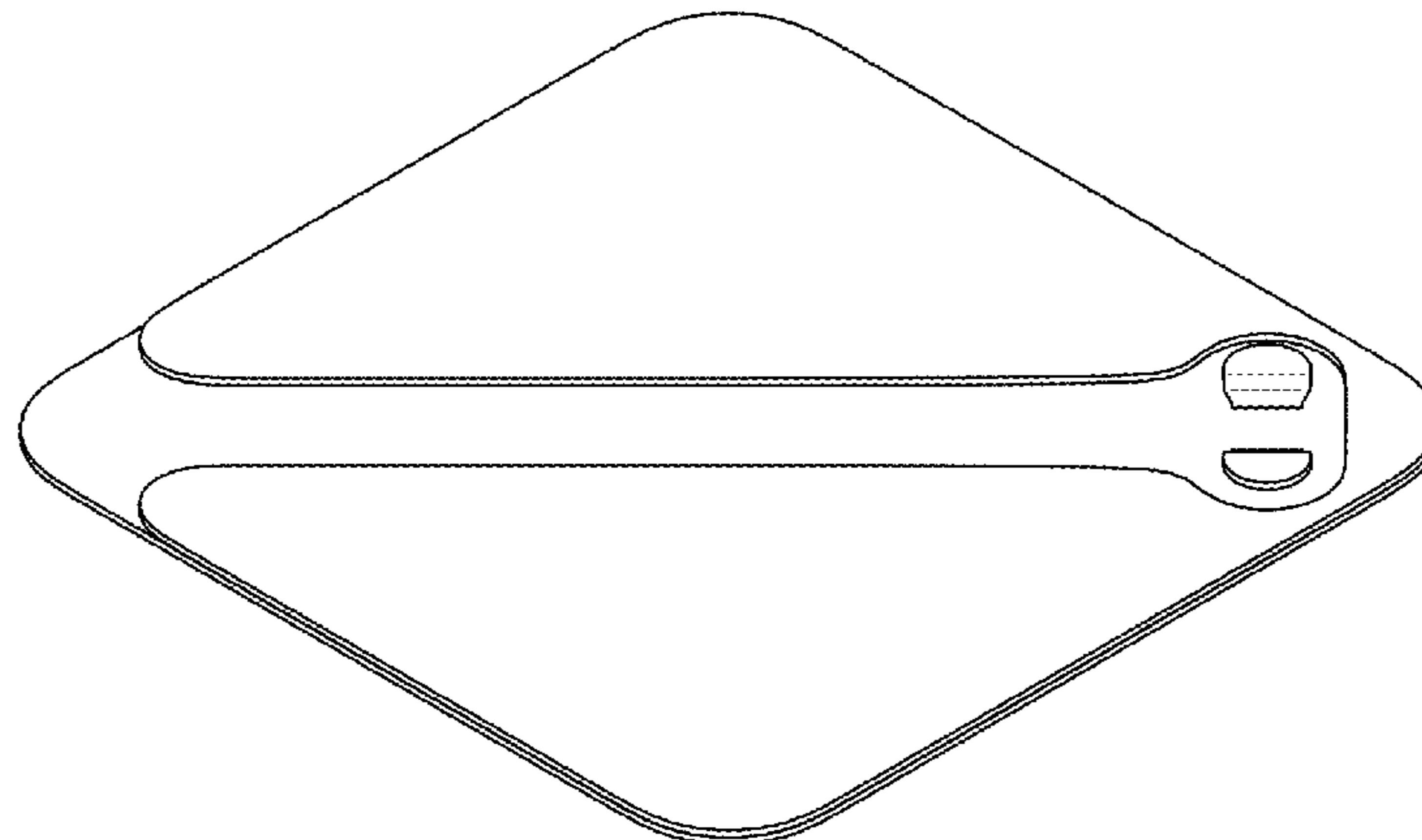
(57) **CLAIM**

The ornamental design for packaging, as shown and described.

**DESCRIPTION**

FIG. 1 is a top front perspective view of packaging showing the claimed design;  
 FIG. 2 is a front view thereof;  
 FIG. 3 is a rear view thereof;  
 FIG. 4 is a left side view thereof;  
 FIG. 5 is a right side view thereof;  
 FIG. 6 is a top view thereof; and,  
 FIG. 7 is a bottom view thereof.

**1 Claim, 3 Drawing Sheets**



(56)

**References Cited**

U.S. PATENT DOCUMENTS

D714,143 S \* 9/2014 Hodge ..... D9/438  
D734,898 S \* 7/2015 Lutz ..... D30/101  
D735,577 S \* 8/2015 Lee ..... D9/436  
D738,027 S \* 9/2015 Wang ..... D26/85  
D740,117 S \* 10/2015 Nichols ..... D9/456  
D741,069 S \* 10/2015 Vanderheyden ..... D6/300  
D744,855 S \* 12/2015 Akana ..... D9/432  
D746,599 S \* 1/2016 Olson ..... D6/300  
D773,927 S 12/2016 Cernokus et al.  
D774,899 S \* 12/2016 Tang ..... D9/419  
D779,932 S \* 2/2017 Delle Cese ..... D9/419  
D800,549 S \* 10/2017 Delle Cese ..... D9/419  
D802,414 S \* 11/2017 Delle Cese ..... D9/419  
D814,919 S \* 4/2018 Delle Cese ..... D9/419  
2016/0264297 A1 \* 9/2016 Cernokus ..... B65D 85/40  
2018/0044102 A1 \* 2/2018 Pincus ..... B65D 73/0078

\* cited by examiner

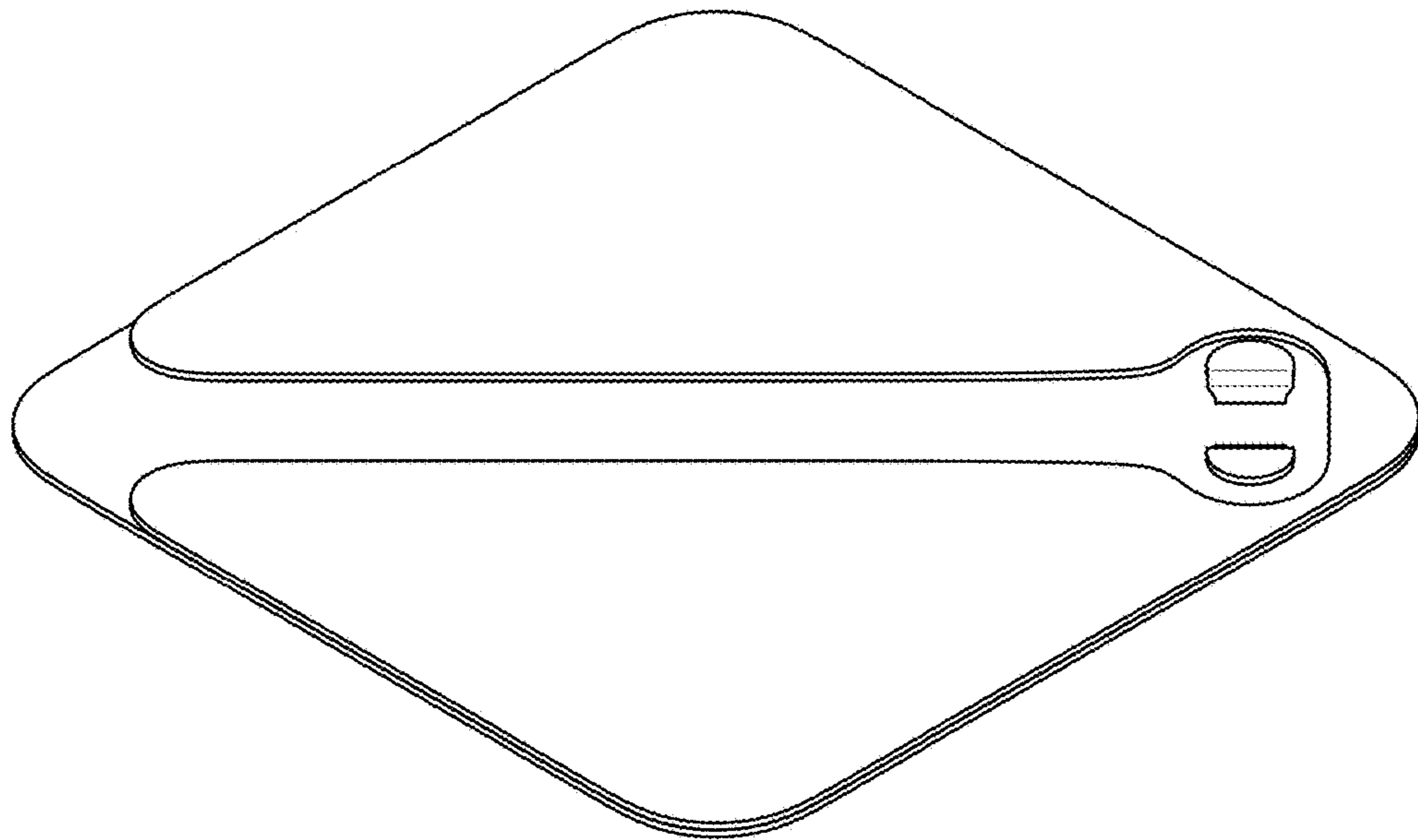


FIG. 1

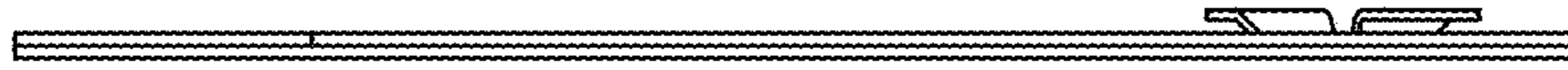


FIG. 2

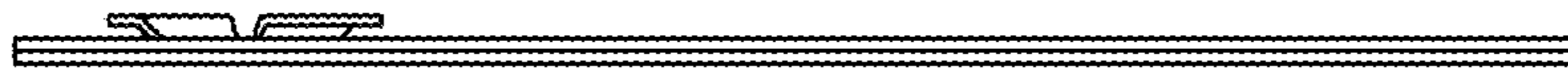


FIG. 3

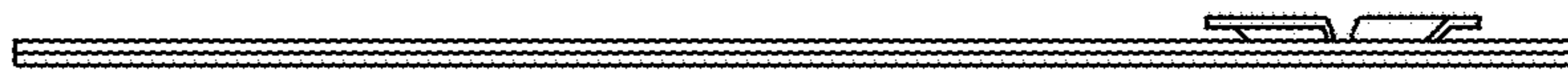


FIG. 4



FIG. 5

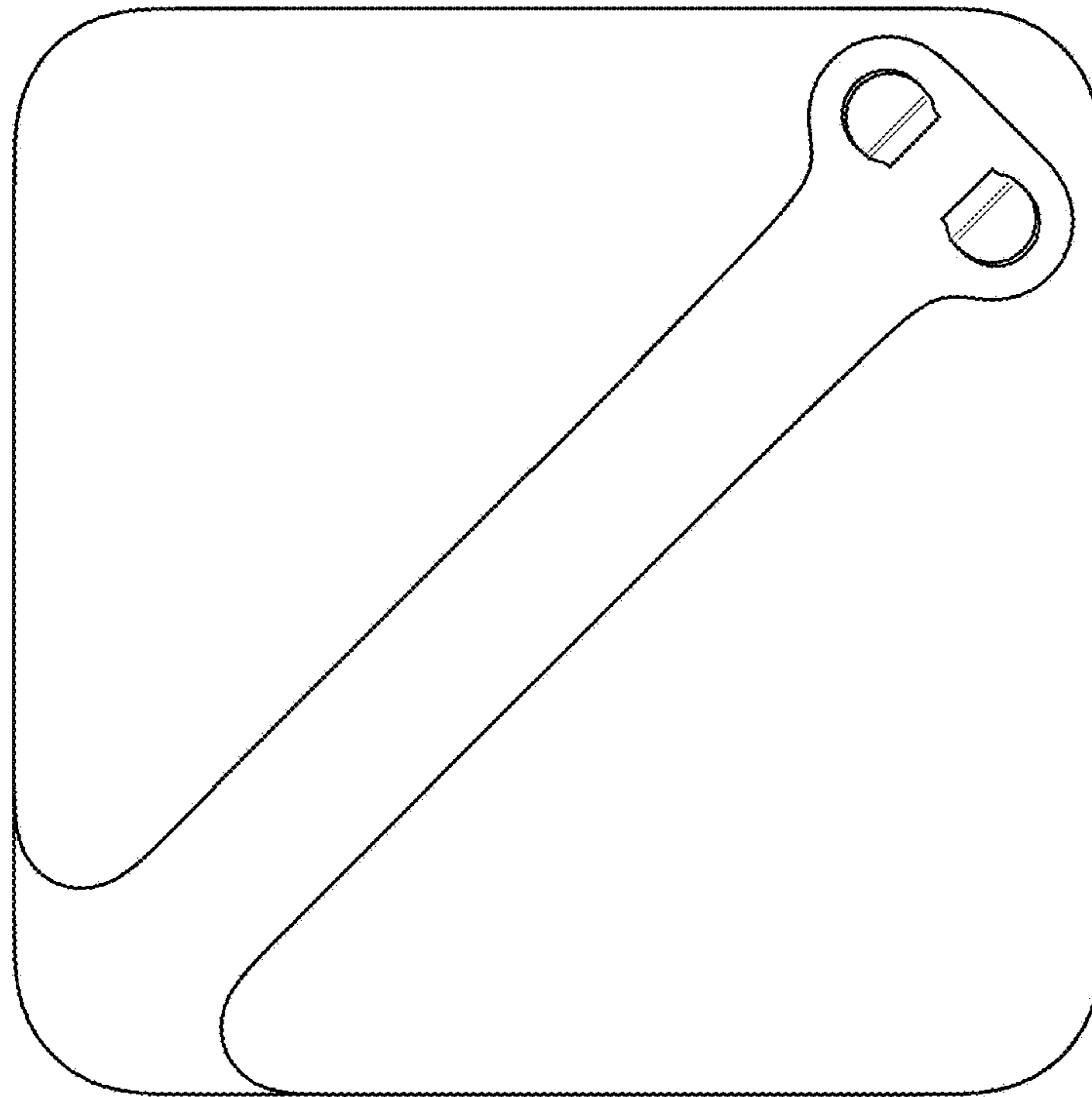


FIG. 6

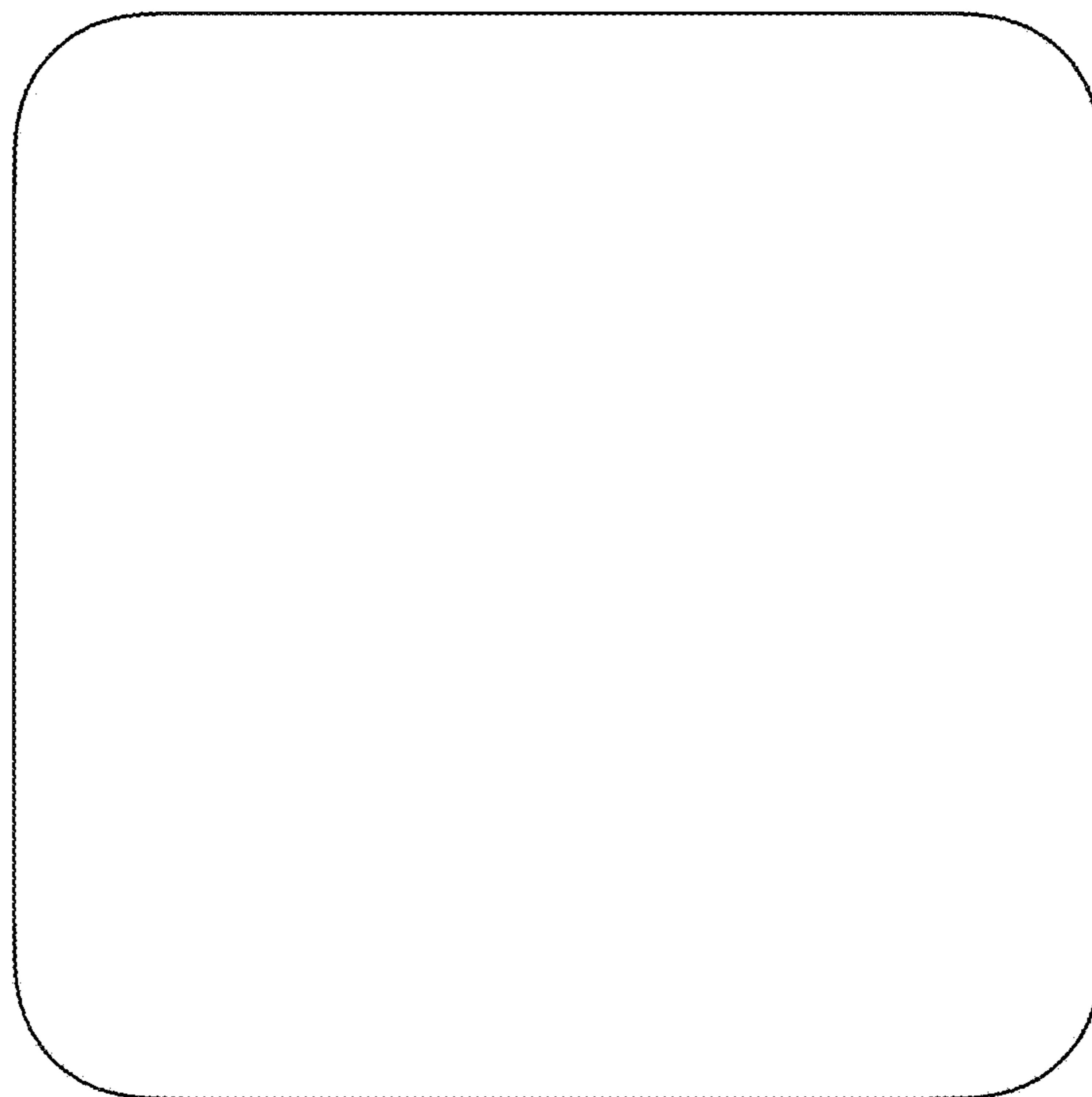


FIG. 7