



US00D842088S

(12) **United States Design Patent** (10) **Patent No.:** **US D842,088 S**
Hoekstra et al. (45) **Date of Patent:** **** Mar. 5, 2019**

- (54) **PACKAGE**
- (71) Applicant: **Huhtamäki Oyj**, Espoo (FI)
- (72) Inventors: **Aad Hoekstra**, ae Zutphen (NL);
Stephen Knipe, Hayling Island (GB)
- (73) Assignee: **HUHTAMÄKI OYJ**, Espoo (FI)
- (**) Term: **15 Years**
- (21) Appl. No.: **29/629,993**
- (22) Filed: **Dec. 18, 2017**

Related U.S. Application Data

- (62) Division of application No. 29/567,848, filed on Jun. 13, 2016, now Pat. No. Des. 814,916.

Foreign Application Priority Data

- (30) Dec. 11, 2015 (FI) M20150136

- (51) **LOC (11) Cl.** **09-03**
- (52) **U.S. Cl.**
USPC **D9/414**

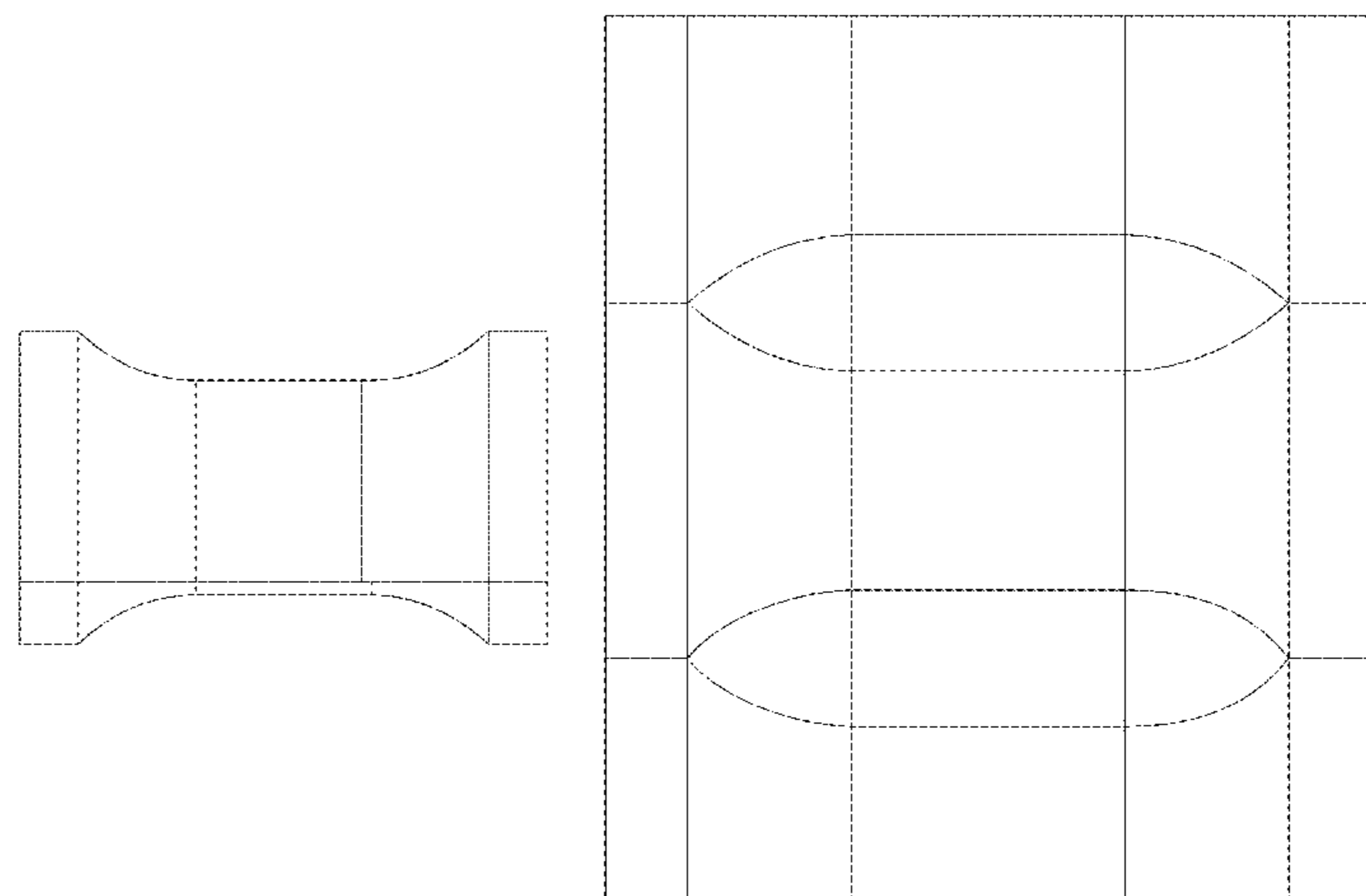
- (58) **Field of Classification Search**
USPC D9/414, 415, 418, 428, 432, 433, 457,
D9/702, 703, 705, 707, 715, 722; D19/1,
D19/3, 26, 27, 101; 229/68.1, 87.08,
229/87.11, 87.5; 383/26, 38, 42-99, 127
CPC ... B65D 1/00; B65D 7/00; B65D 9/00; B65D
11/00; B65D 13/00; B65D 15/00; B65D
75/00; B42F 1/00
See application file for complete search history.

(56) **References Cited**

U.S. PATENT DOCUMENTS

3,979,051 A	9/1976	Close
4,575,000 A	3/1986	Gordon et al.
5,094,385 A	3/1992	Antczak et al.
5,358,174 A	10/1994	Antczak et al.
D377,946 S	2/1997	French et al.
D392,564 S	3/1998	Silver
D401,274 S	11/1998	Sills et al.

D422,210 S	4/2000	Sturkie et al.
D439,513 S *	3/2001	Teasdale D9/415
D452,147 S	12/2001	Patel et al.
D458,120 S	6/2002	Knoerzer
D462,007 S	8/2002	Spinoy
D468,196 S	1/2003	Graham
D470,755 S	2/2003	Espinel et al.
D470,756 S	2/2003	Espinel et al.
D470,757 S	2/2003	Espinel et al.
D486,730 S	2/2004	Rasmussen
D492,594 S	7/2004	Nash
D531,021 S	10/2006	Ashby et al.
D531,494 S	11/2006	Papiri
D541,647 S	5/2007	Ashby et al.
D543,102 S	5/2007	Ashby et al.
D545,216 S	6/2007	O'Keefe et al.
D586,389 S	2/2009	Schaaf
D601,038 S *	9/2009	Middleton-Schluter D9/709
D617,654 S	6/2010	Tawinsook
D628,059 S	11/2010	Perkins-Stanaford et al.
D643,745 S	8/2011	Hartley
7,988,359 B1 *	8/2011	Sussman B65D 33/2591 383/10
D646,182 S *	10/2011	Clark D9/710
D656,841 S *	4/2012	Echavarria D9/709
D684,468 S	6/2013	Macaulay et al.
D694,647 S	12/2013	Hermes et al.
D703,547 S	4/2014	France et al.
D720,214 S	12/2014	De Pietri Tonelli et al.
D724,441 S	3/2015	Fukuda
D730,195 S	5/2015	Gonlag
D740,688 S	10/2015	Otsuka et al.
D744,851 S	12/2015	Monforton et al.
D752,432 S	3/2016	Brown
D757,534 S	5/2016	Matsuura
D764,933 S	8/2016	Latshaw
D764,934 S	8/2016	Latshaw
D764,935 S	8/2016	Latshaw
D769,730 S	10/2016	Andrus
D777,975 S *	1/2017	Rushforth D27/100
D787,311 S	5/2017	Chang
D790,360 S	6/2017	Down et al.
D793,244 S	8/2017	Shifflett
D793,245 S	8/2017	Cobler
D793,246 S	8/2017	Cobler
D793,247 S	8/2017	Cobler
D793,248 S	8/2017	Cobler
D793,249 S	8/2017	Cobler
D794,446 S *	8/2017	Greenberg D9/432
D801,828 S *	11/2017	Persson D9/707
D802,412 S *	11/2017	Cataudella D9/415
D803,041 S *	11/2017	Patterson D9/415
D804,959 S *	12/2017	Anda D9/705



D809,932 S *	2/2018	Bruggink	D9/722
D812,490 S *	3/2018	Wigman	D9/703
D814,563 S *	4/2018	Bartos	D19/3
D814,916 S *	4/2018	Hoekstra	D9/414
D819,452 S *	6/2018	Chang	D9/707
D828,869 S *	9/2018	Bell	D19/3
D831,499 S *	10/2018	Hardy	D9/707

FOREIGN PATENT DOCUMENTS

DE	10121899	A1	11/2002
GB	1033661	A	6/1966
GB	2229710	A	10/1990
GB	2342343	A	4/2000
WO	02087979	A2	11/2002

* cited by examiner

Primary Examiner — Wan Laymon

Assistant Examiner — Clint A Samuel

(74) *Attorney, Agent, or Firm* — Husch Blackwell LLP

(57) **CLAIM**

The ornamental design for a package, as shown and described.

DESCRIPTION

FIG. 1 is a top plan view of a package showing a first embodiment of the new design;
 FIG. 2 is a bottom plan view of the package shown in FIG. 1;
 FIG. 3 is a front elevation view of the package shown in FIG. 1;
 FIG. 4 is a rear elevation view of the package shown in FIG. 1;
 FIG. 5 is a right side view of the package shown in FIG. 1;
 FIG. 6 is a left side view of the package shown in FIG. 1;
 FIG. 7 is a top perspective view of the package shown in FIG. 1;
 FIG. 8 is a top perspective view of the package shown in FIG. 1;
 FIG. 9 is a top perspective view of the package shown in FIG. 1;
 FIG. 10 is a bottom perspective view of the package shown in FIG. 1;
 FIG. 11 is a bottom perspective view of the package shown in FIG. 1;
 FIG. 12 is a bottom perspective view of the package shown in FIG. 1;
 FIG. 13 is a top plan view of the package shown in FIG. 1 illustrating the package in an unfolded orientation;
 FIG. 14 is a top plan view of a package showing a second embodiment of the new design;
 FIG. 15 is a bottom plan view of the package shown in FIG. 14;
 FIG. 16 is a front elevation view of the package shown in FIG. 14;
 FIG. 17 is a rear elevation view of the package shown in FIG. 14;
 FIG. 18 is a right side view of the package shown in FIG. 14;
 FIG. 19 is a left side view of the package shown in FIG. 14;
 FIG. 20 is a top perspective view of the package shown in FIG. 14;

FIG. 21 is a top perspective view of the package shown in FIG. 14;
 FIG. 22 is a top perspective view of the package shown in FIG. 14;
 FIG. 23 is a bottom perspective view of the package shown in FIG. 14;
 FIG. 24 is a bottom perspective view of the package shown in FIG. 14;
 FIG. 25 is a bottom perspective view of the package shown in FIG. 14;
 FIG. 26 is a top plan view of the package shown in FIG. 14 illustrating the package in an unfolded orientation;
 FIG. 27 is a top plan view of a package showing a third embodiment of the new design;
 FIG. 28 is a bottom plan view of the package shown in FIG. 27;
 FIG. 29 is a front elevation view of the package shown in FIG. 27;
 FIG. 30 is a rear elevation view of the package shown in FIG. 27;
 FIG. 31 is a right side view of the package shown in FIG. 27;
 FIG. 32 is a left side view of the package shown in FIG. 27;
 FIG. 33 is a top perspective view of the package shown in FIG. 27;
 FIG. 34 is a top perspective view of the package shown in FIG. 27;
 FIG. 35 is a top perspective view of the package shown in FIG. 27;
 FIG. 36 is a bottom perspective view of the package shown in FIG. 27;
 FIG. 37 is a bottom perspective view of the package shown in FIG. 27;
 FIG. 38 is a bottom perspective view of the package shown in FIG. 27;
 FIG. 39 is a top plan view of the package shown in FIG. 27 illustrating the package in an unfolded orientation;
 FIG. 40 is a top plan view of a package showing a fourth embodiment of the new design;
 FIG. 41 is a bottom plan view of the package shown in FIG. 40;
 FIG. 42 is a front elevation view of the package shown in FIG. 40;
 FIG. 43 is a rear elevation view of the package shown in FIG. 40;
 FIG. 44 is a right side view of the package shown in FIG. 40;
 FIG. 45 is a left side view of the package shown in FIG. 40;
 FIG. 46 is a top perspective view of the package shown in FIG. 40;
 FIG. 47 is a top perspective view of the package shown in FIG. 40;
 FIG. 48 is a top perspective view of the package shown in FIG. 40;
 FIG. 49 is a bottom perspective view of the package shown in FIG. 40;
 FIG. 50 is a bottom perspective view of the package shown in FIG. 40;
 FIG. 51 is a bottom perspective view of the package shown in FIG. 40; and,
 FIG. 52 is a top plan view of the package shown in FIG. 40 illustrating the package in an unfolded orientation.

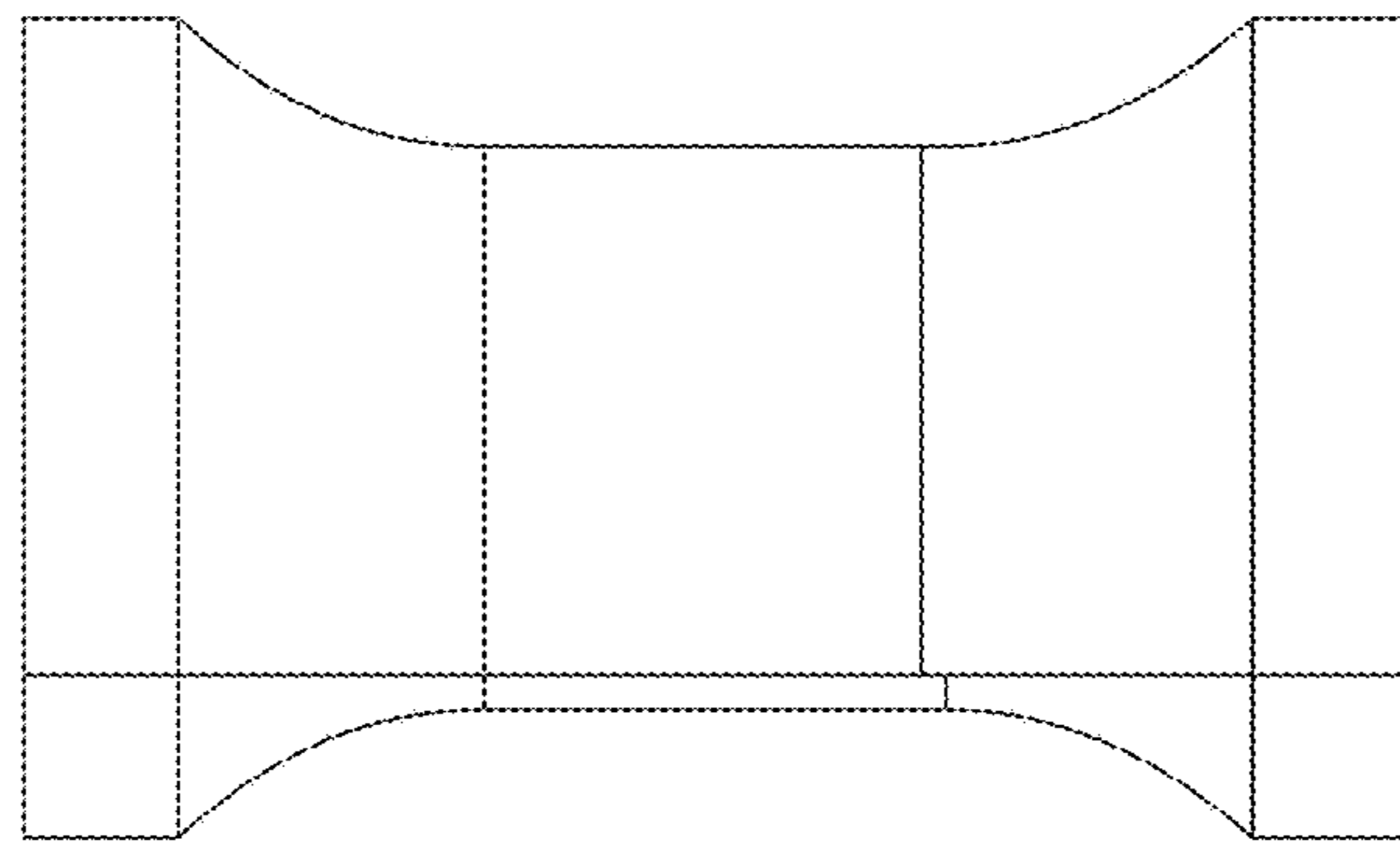


FIG. 1

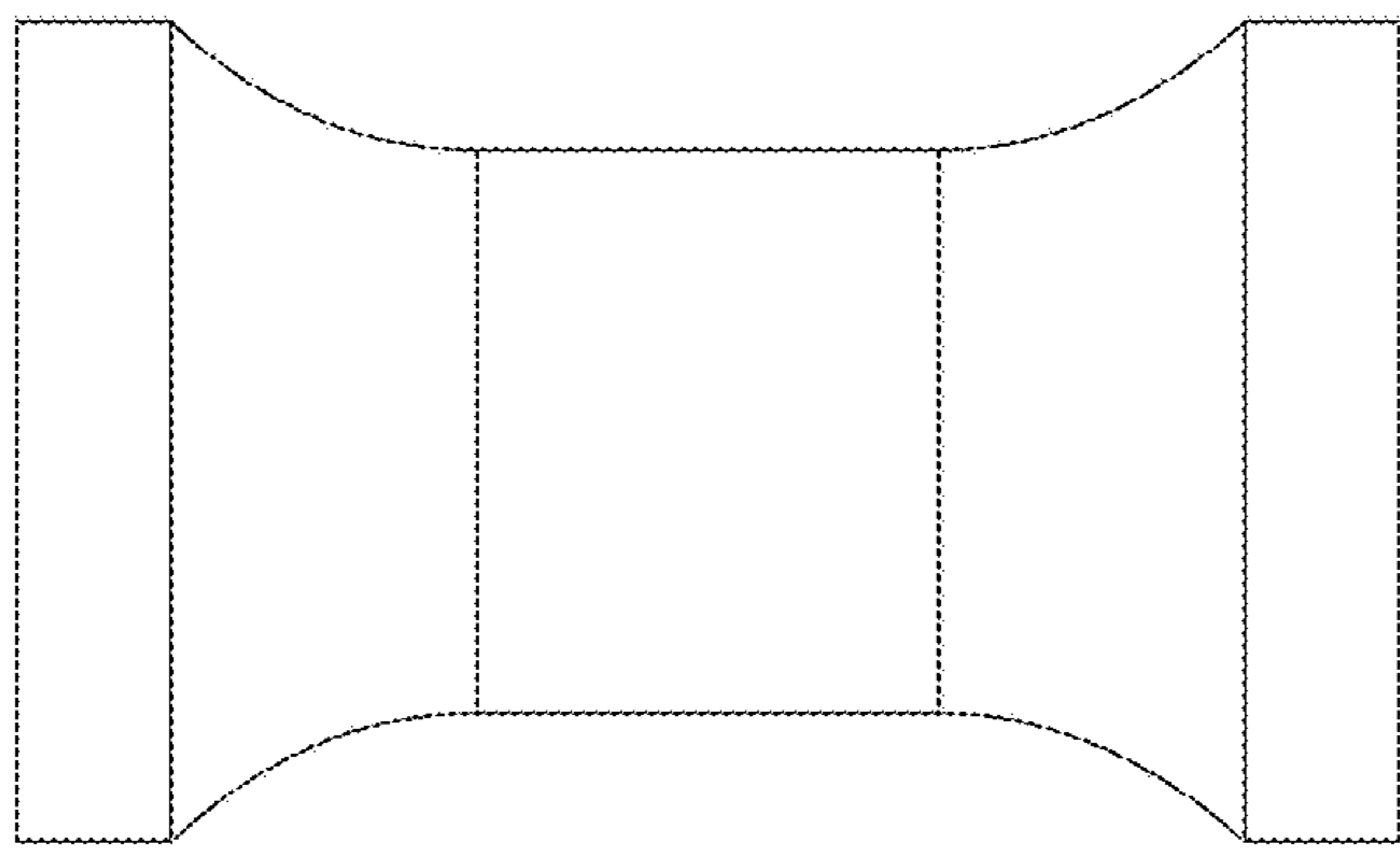


FIG. 2



FIG. 3



FIG. 4

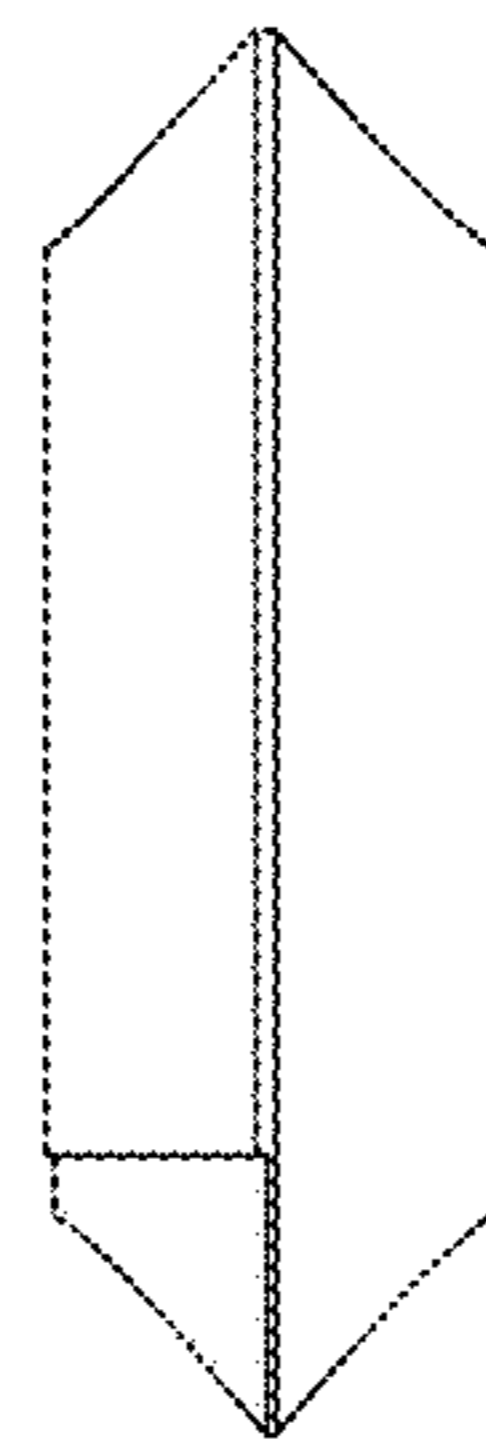


FIG. 5

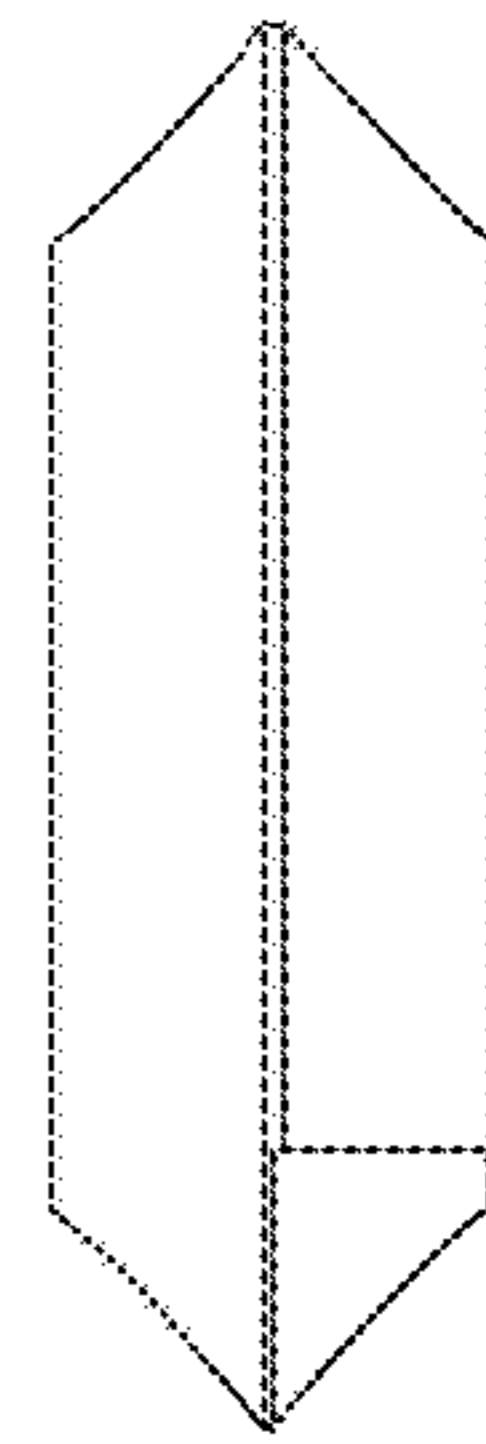


FIG. 6

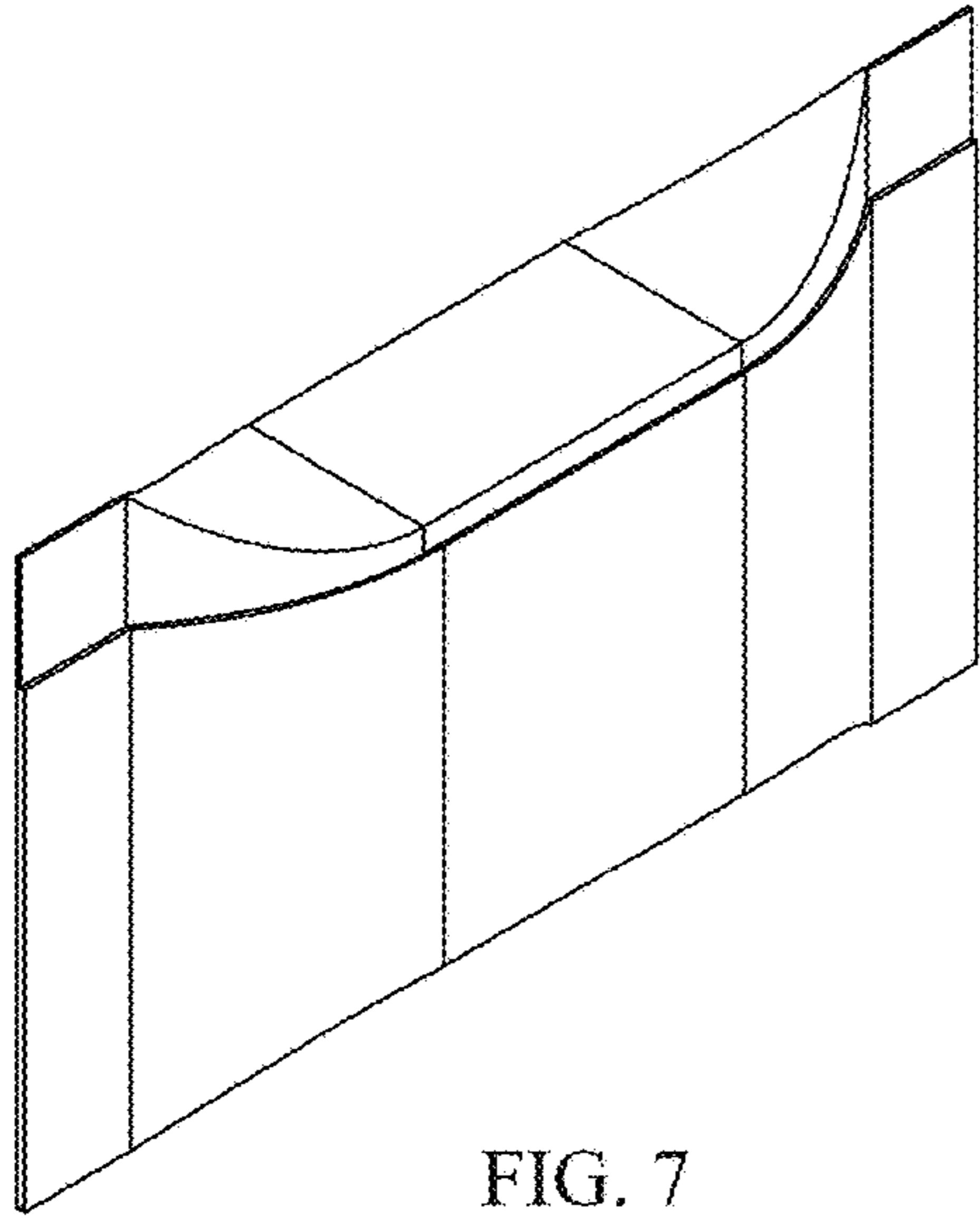


FIG. 7

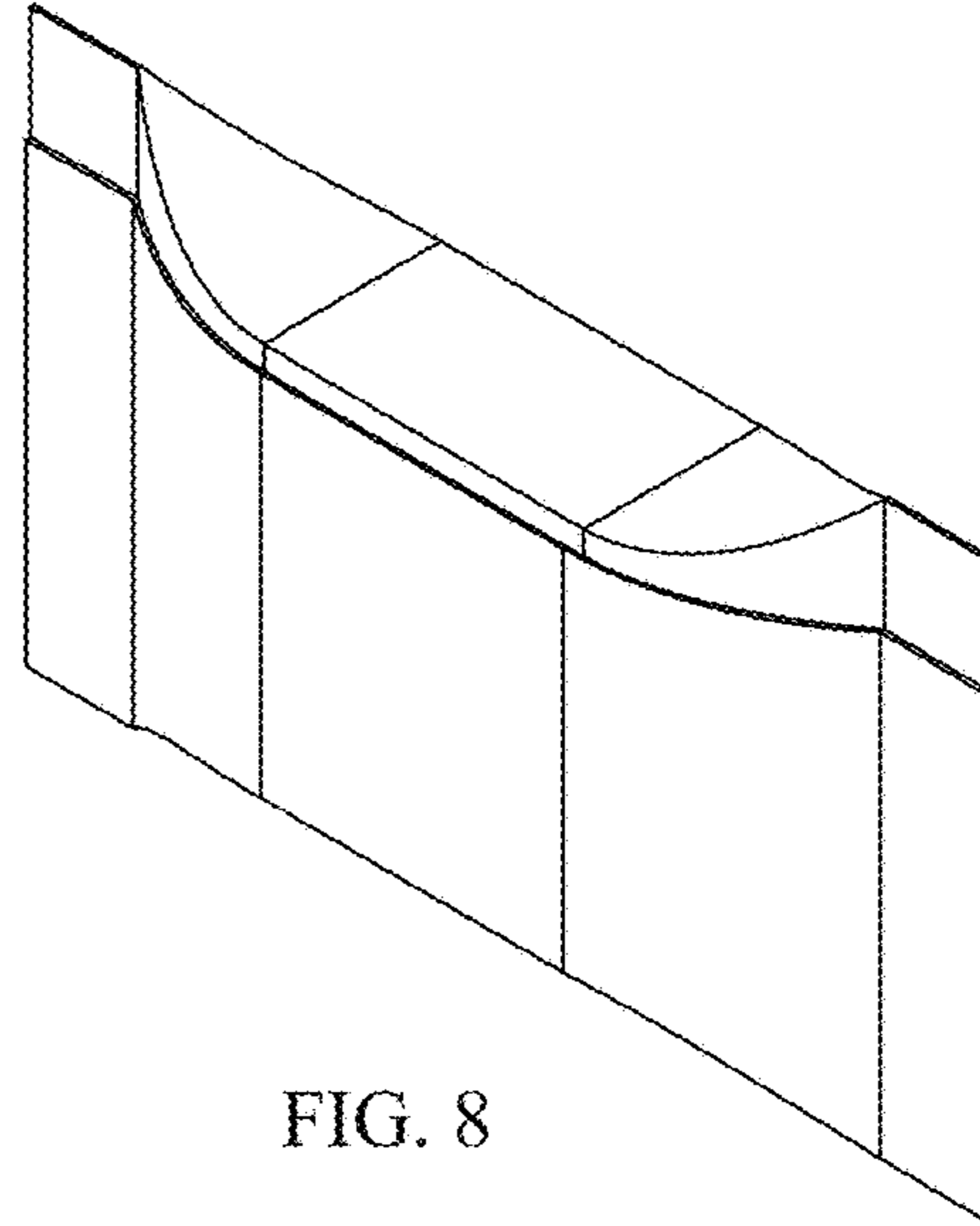


FIG. 8

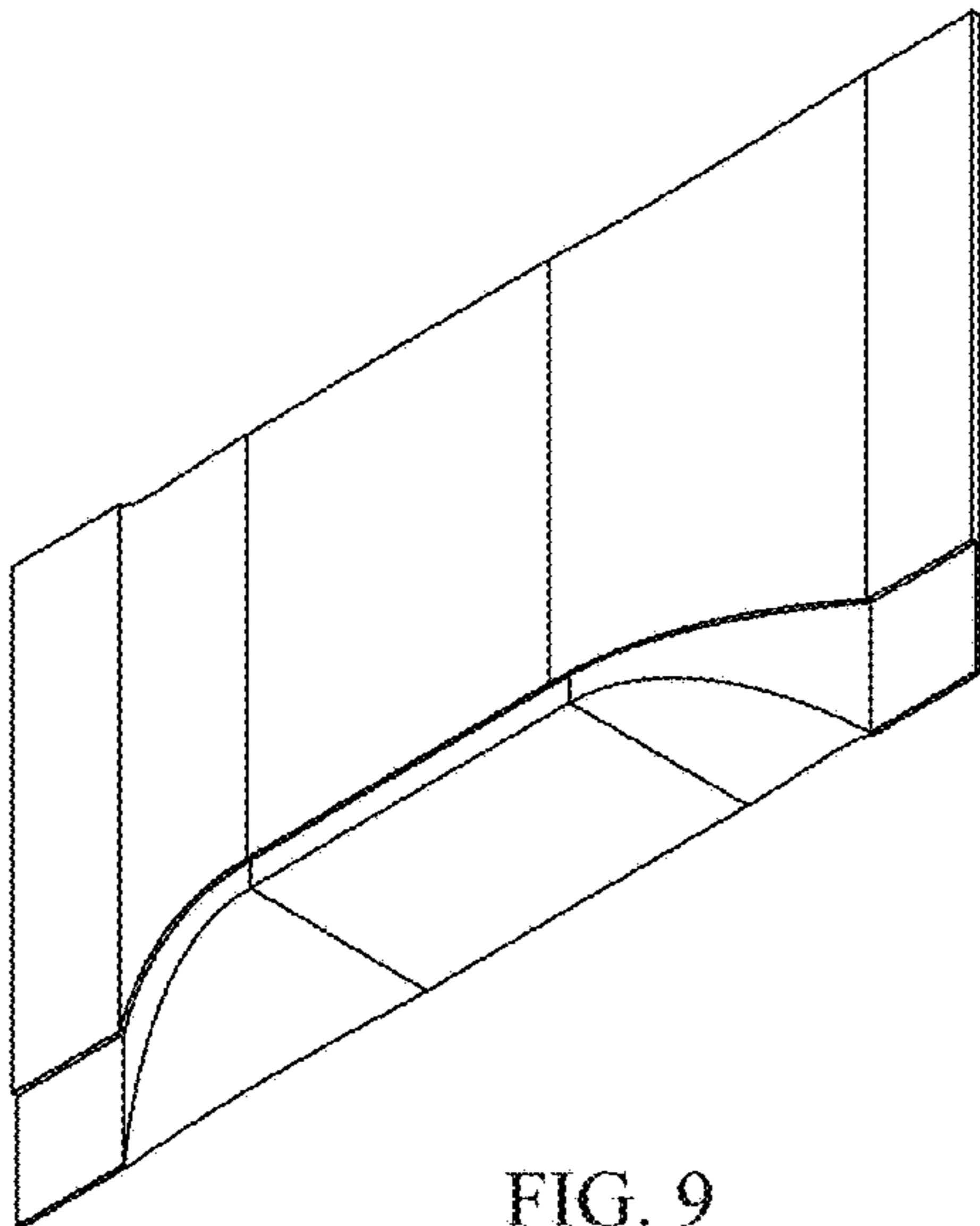


FIG. 9

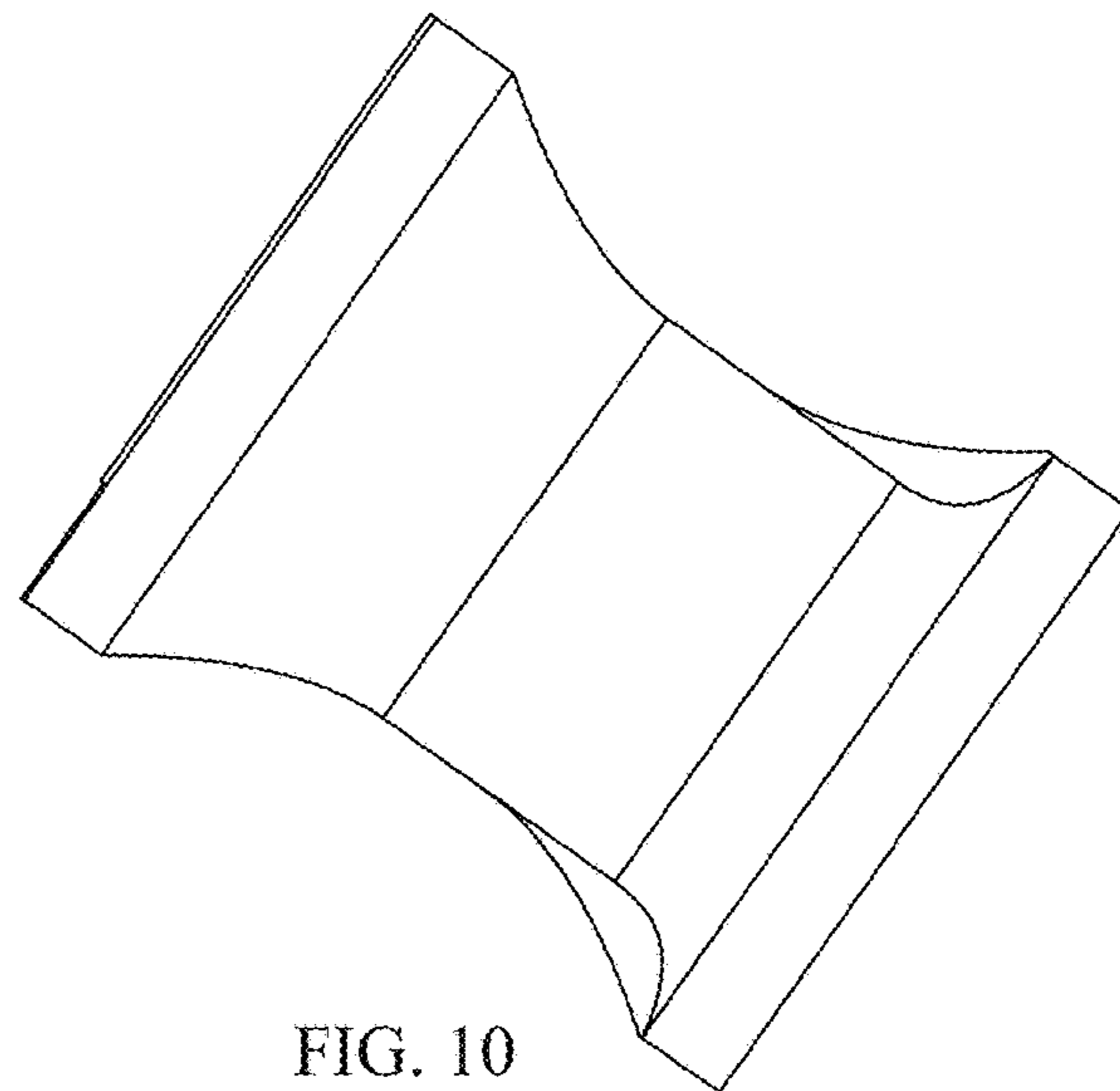


FIG. 10

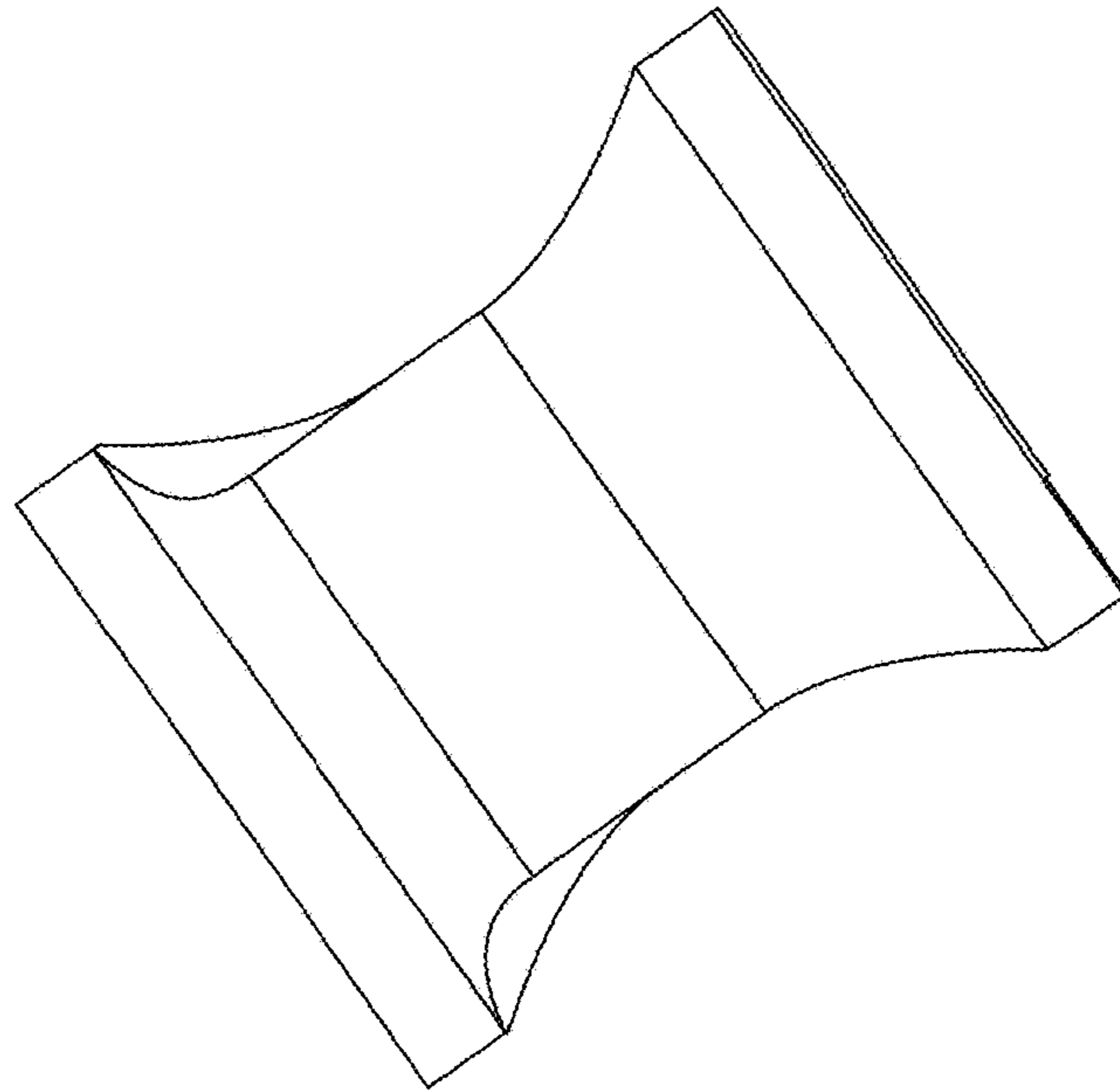


FIG. 11

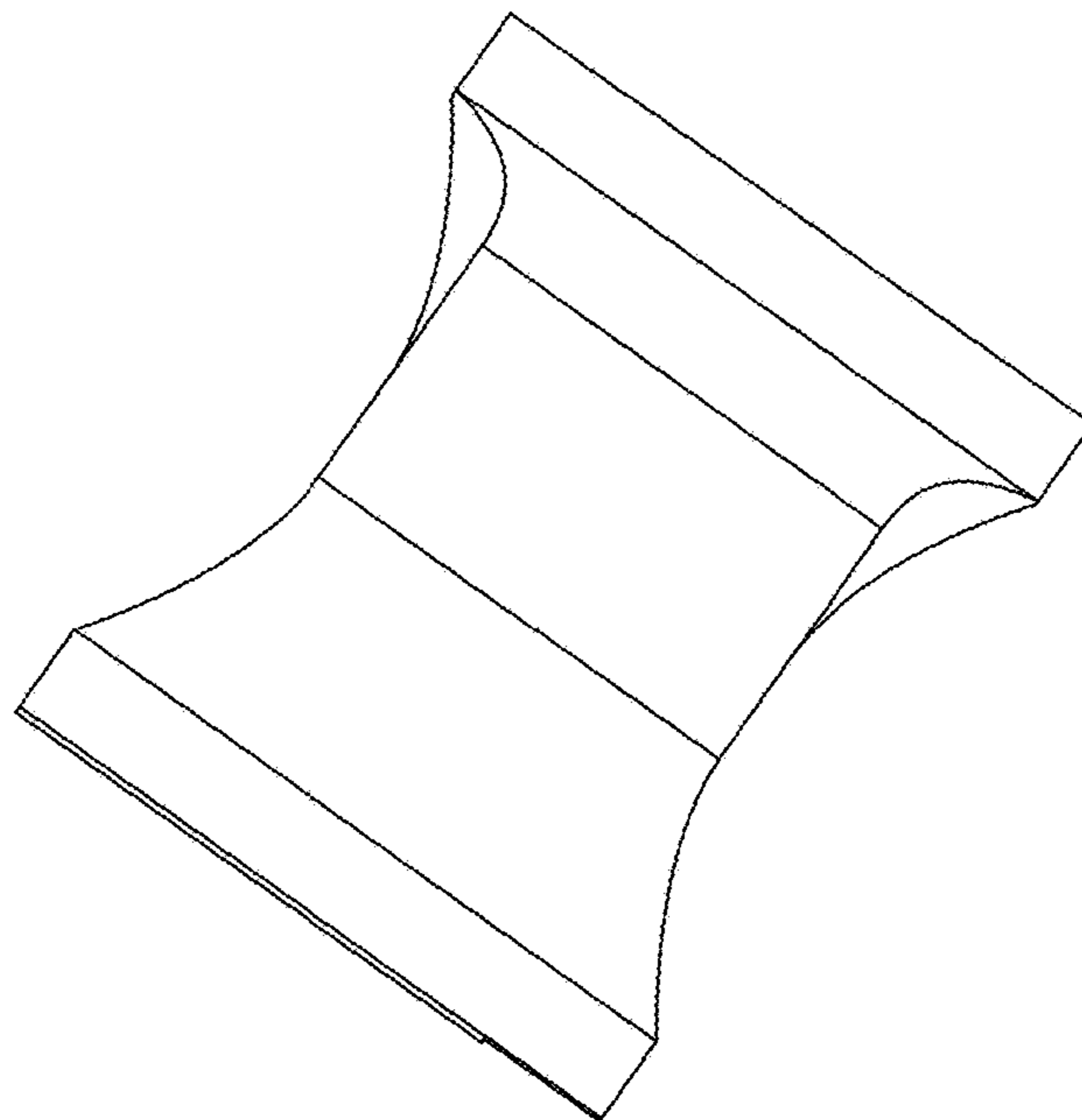


FIG. 12

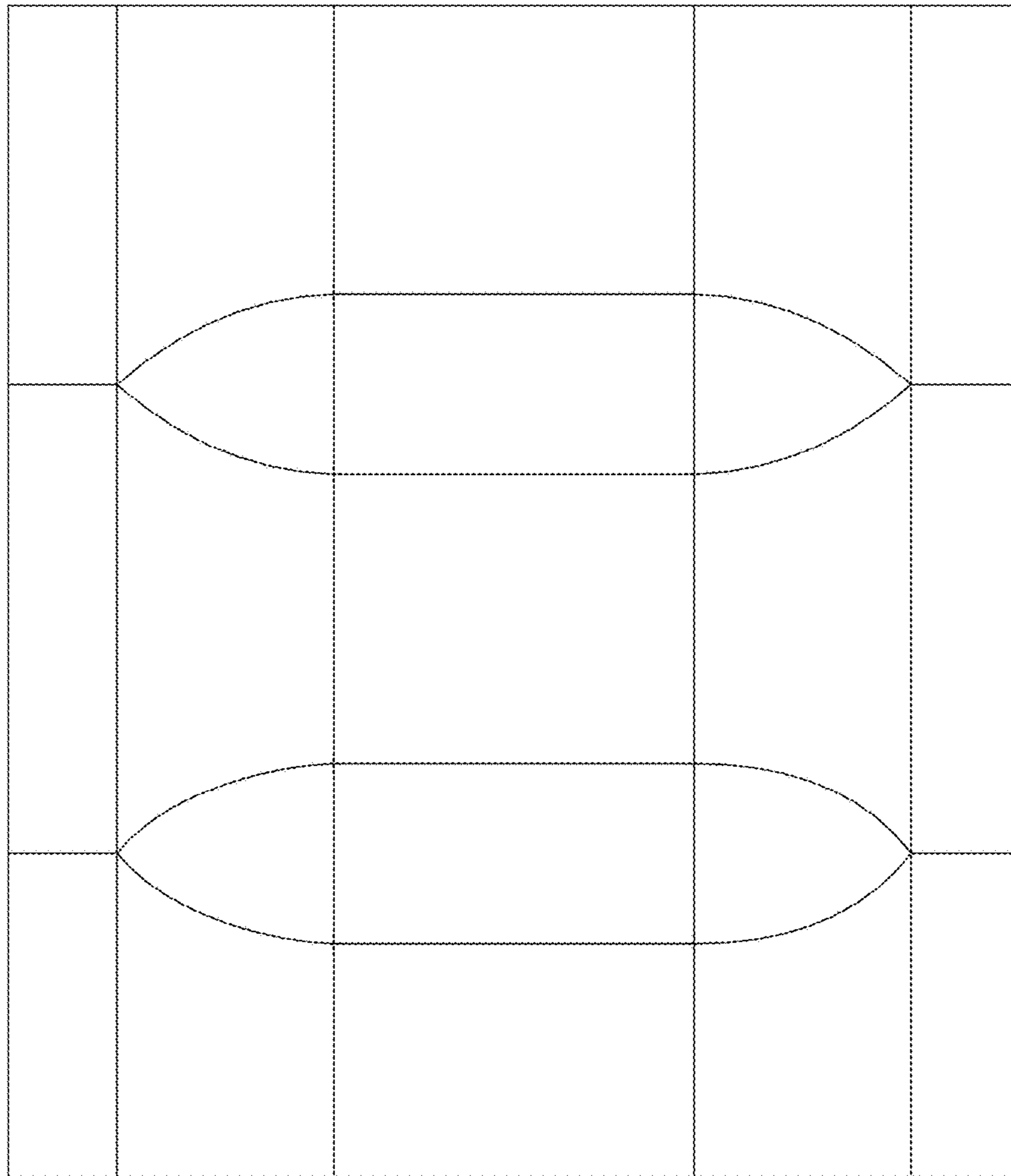


FIG. 13

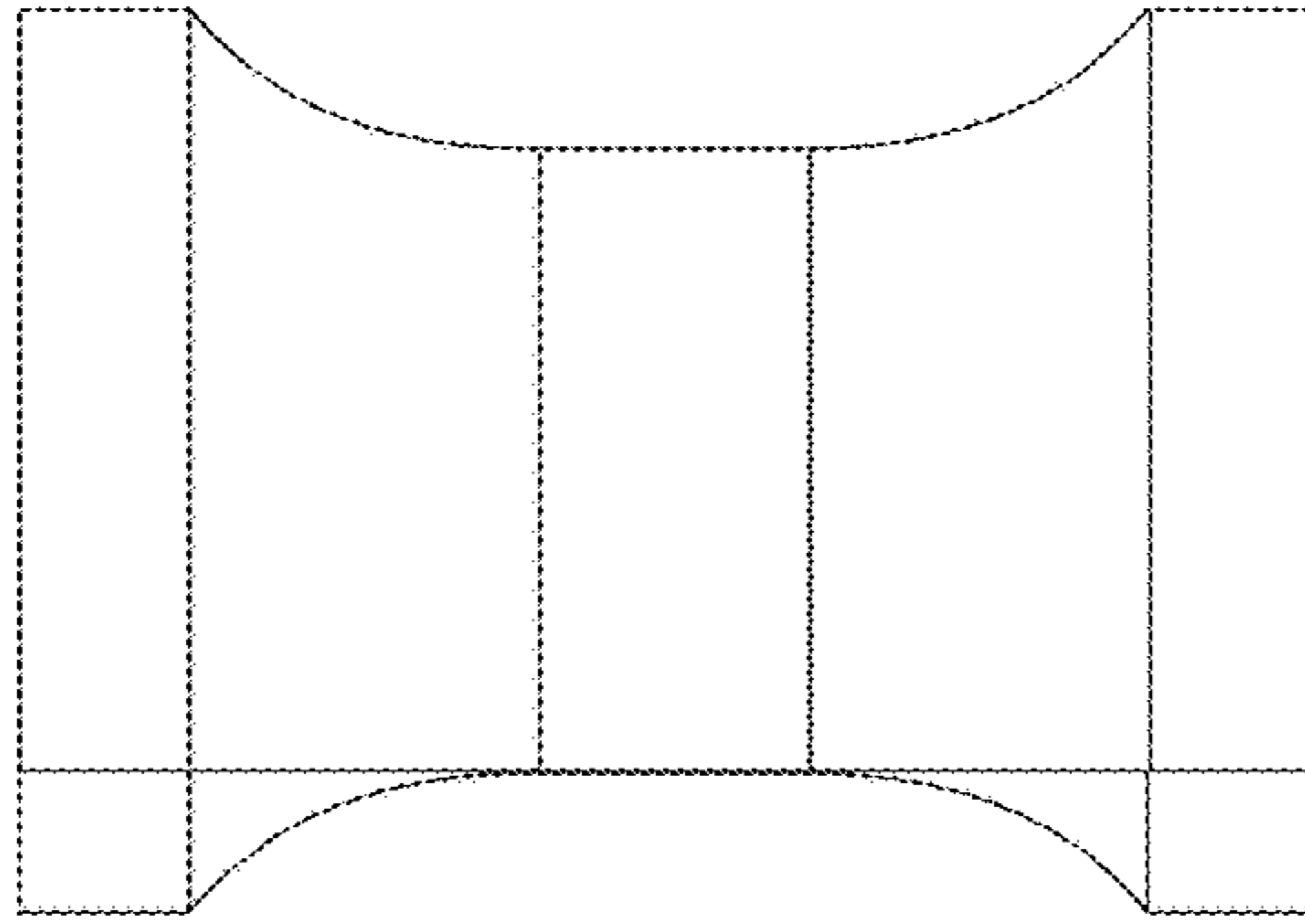


FIG. 14

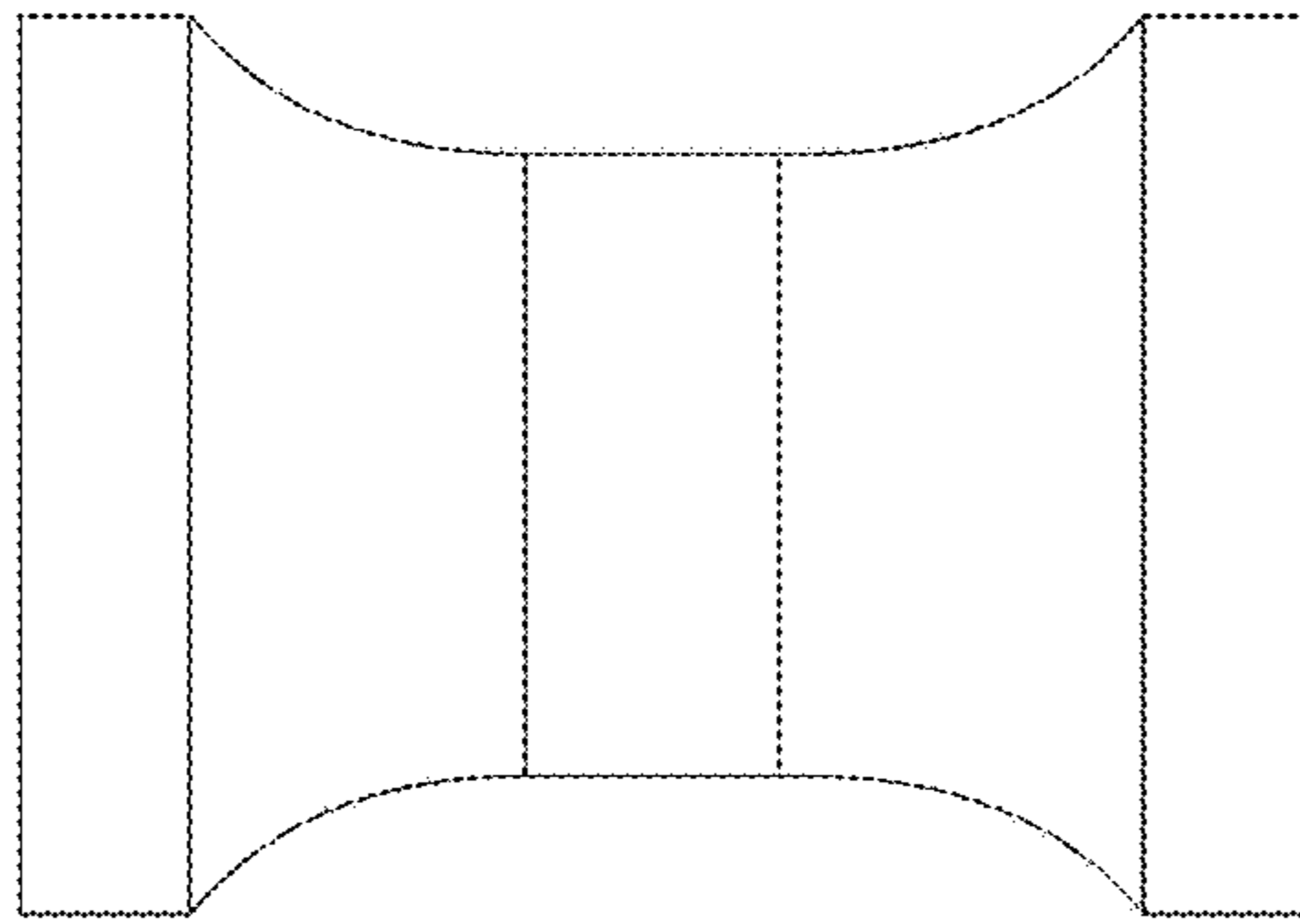


FIG. 15

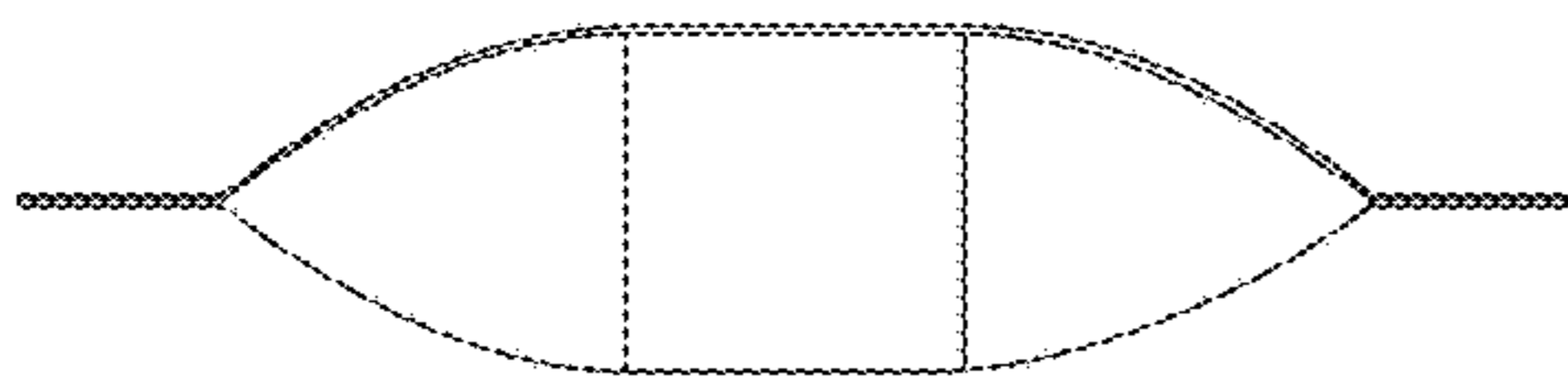


FIG. 16

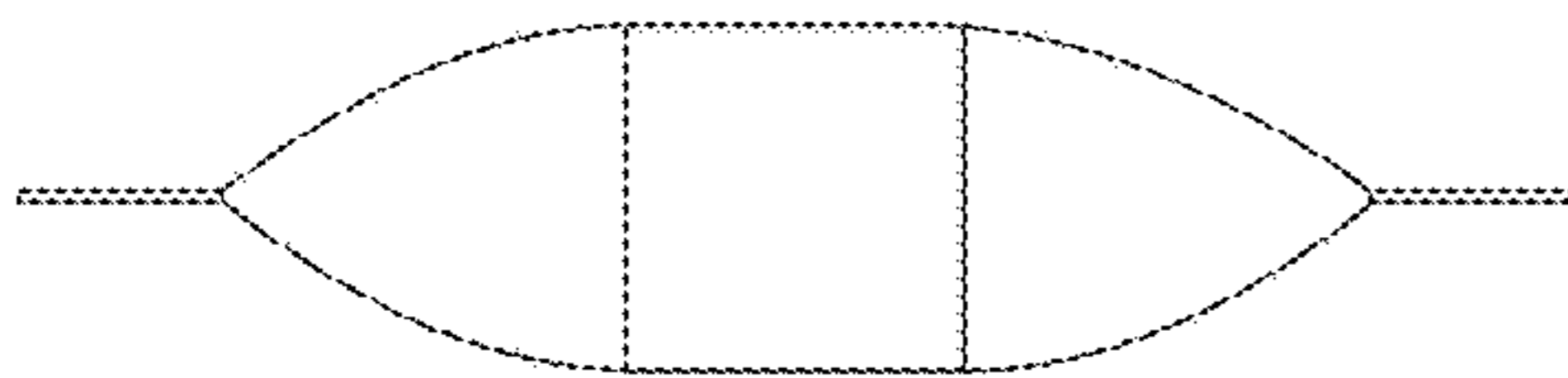


FIG. 17

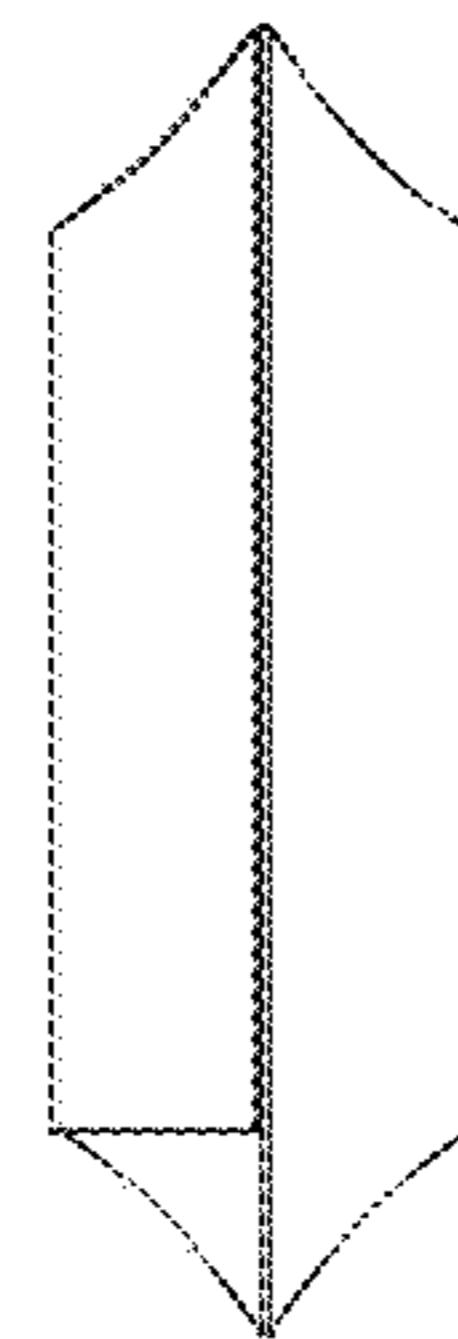


FIG. 18

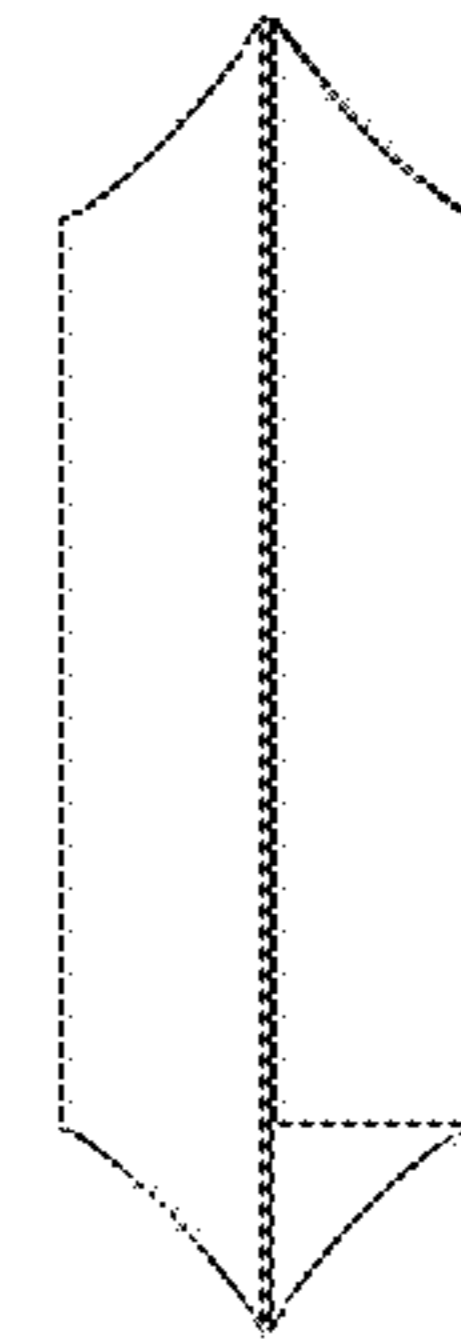


FIG. 19

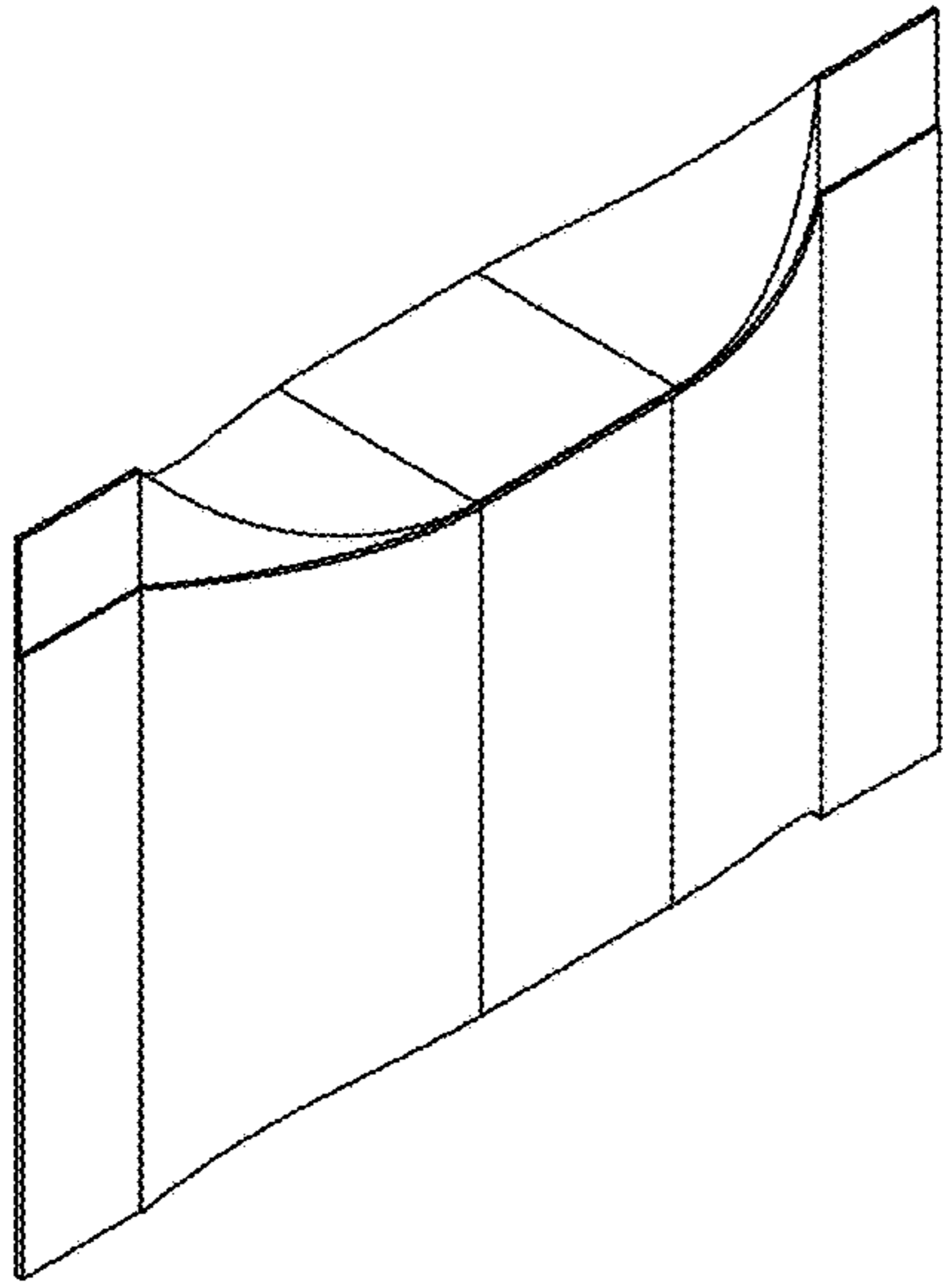


FIG. 20

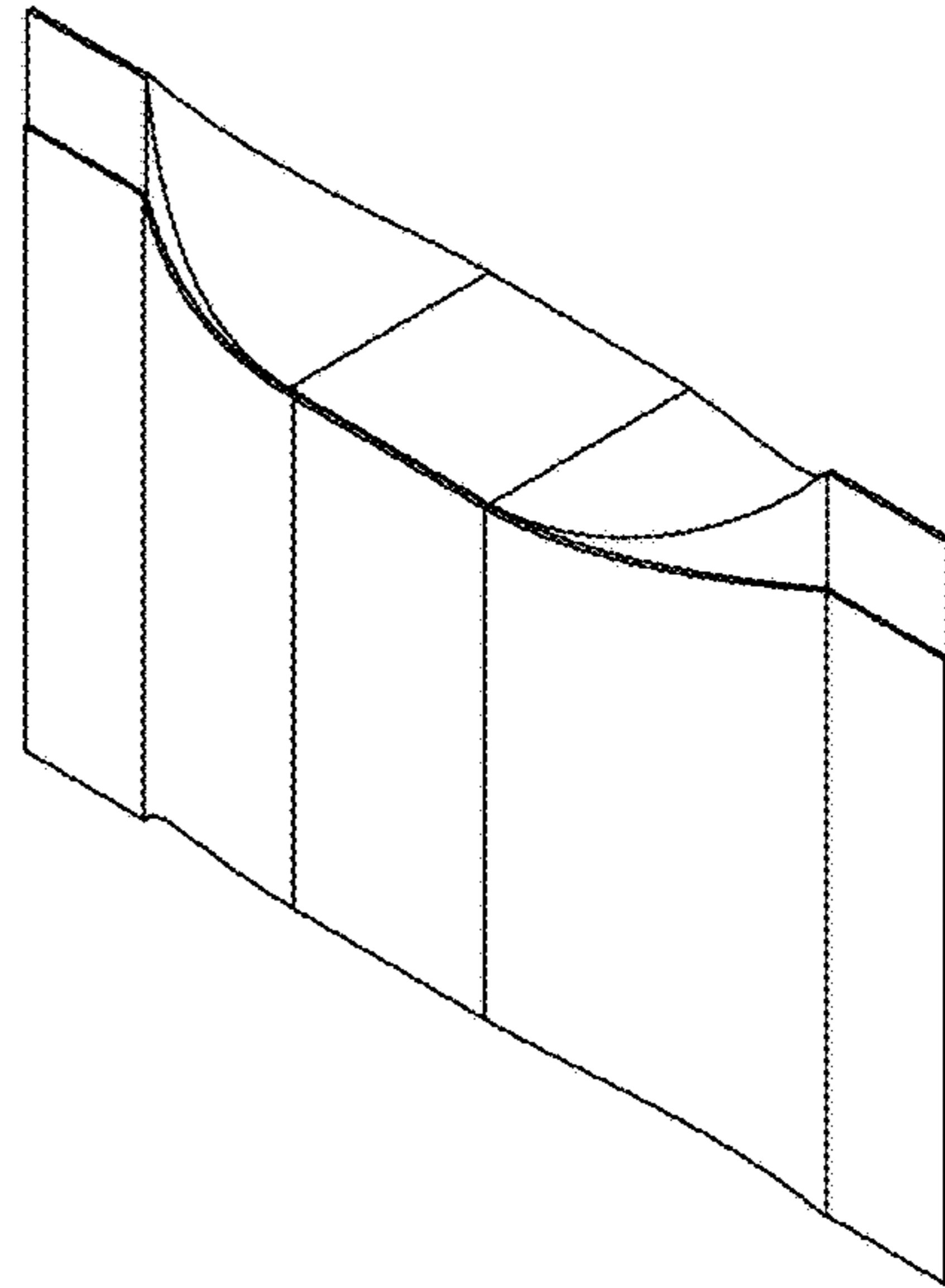


FIG. 21

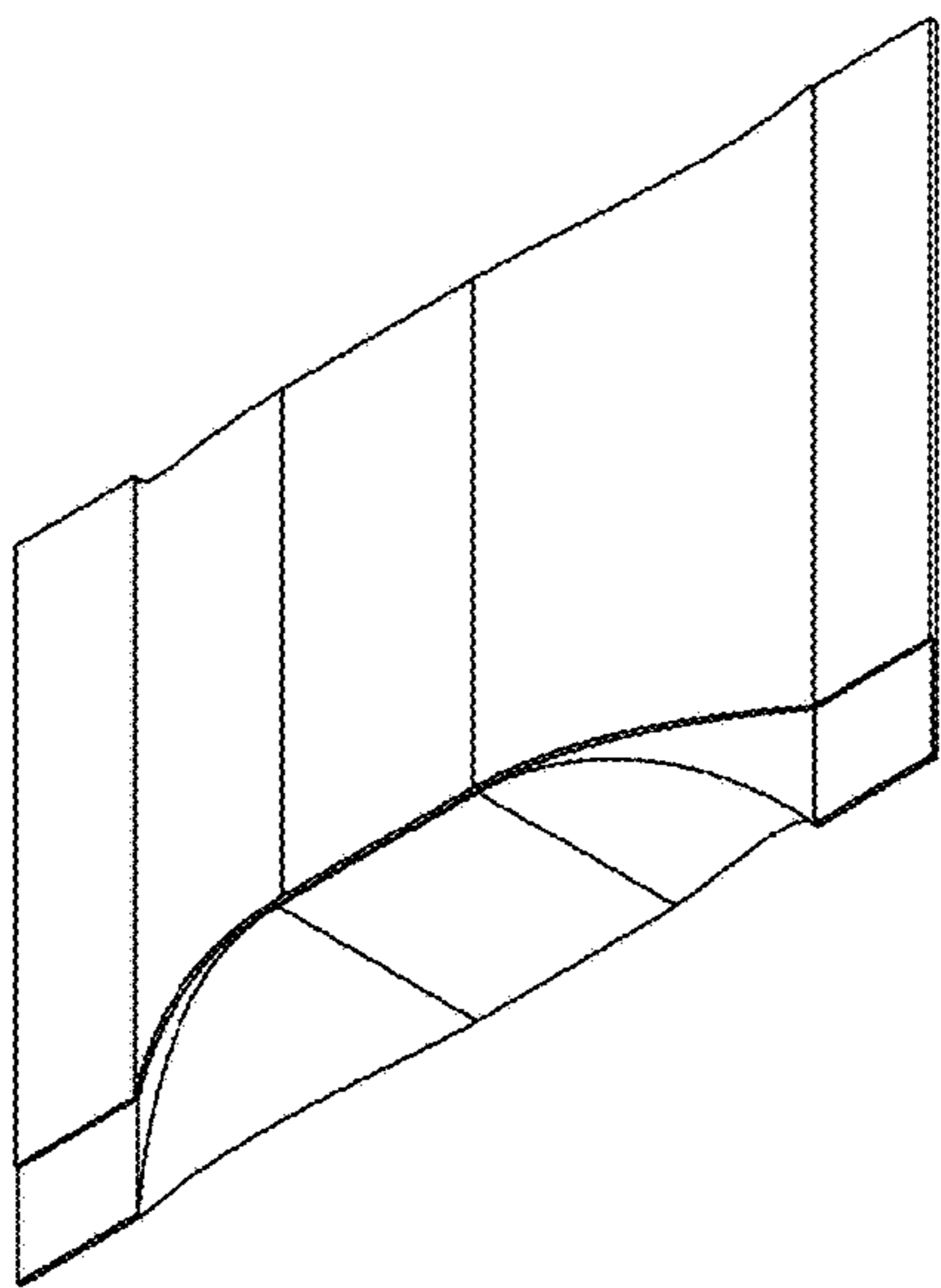


FIG. 22

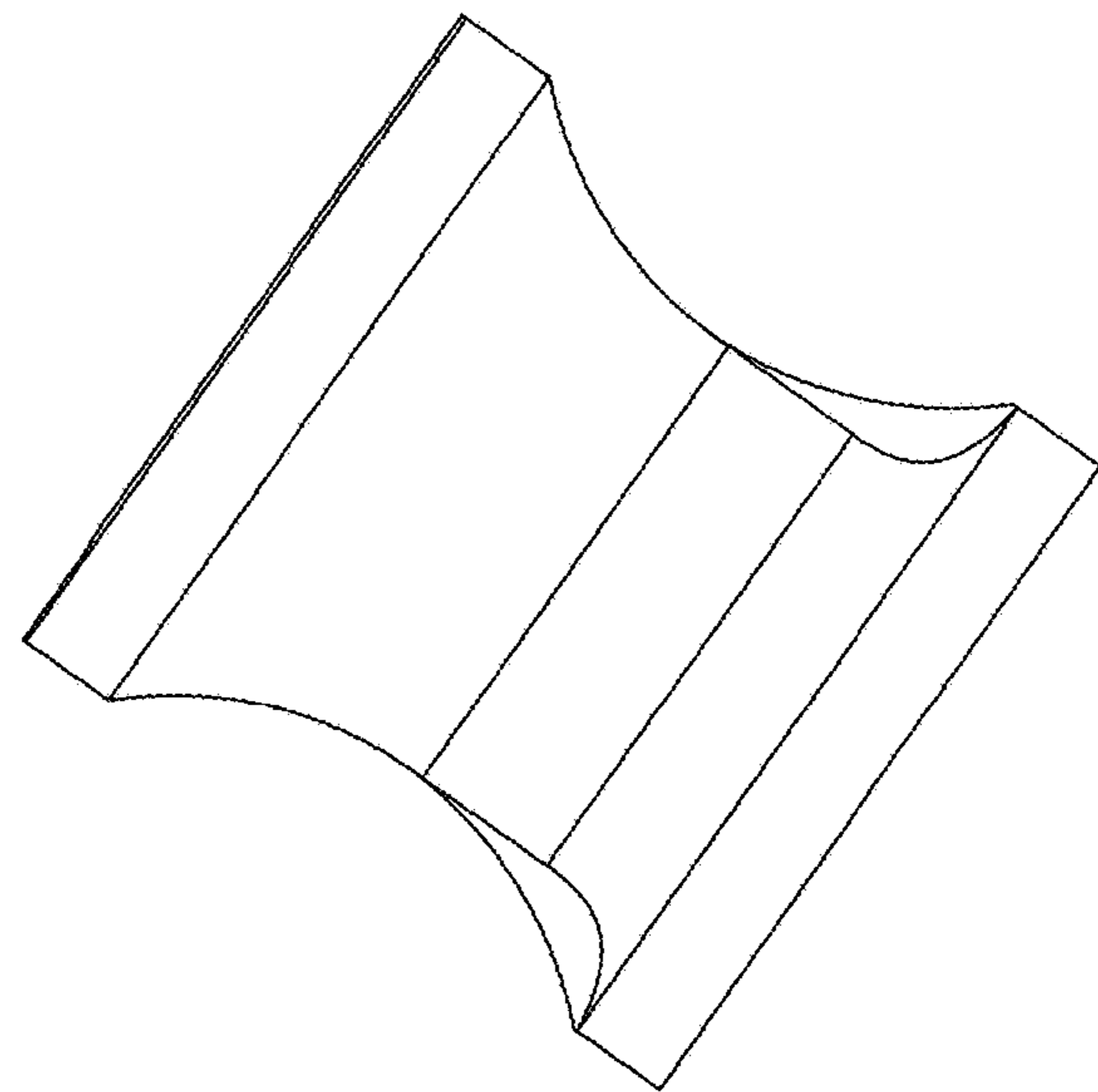


FIG. 23

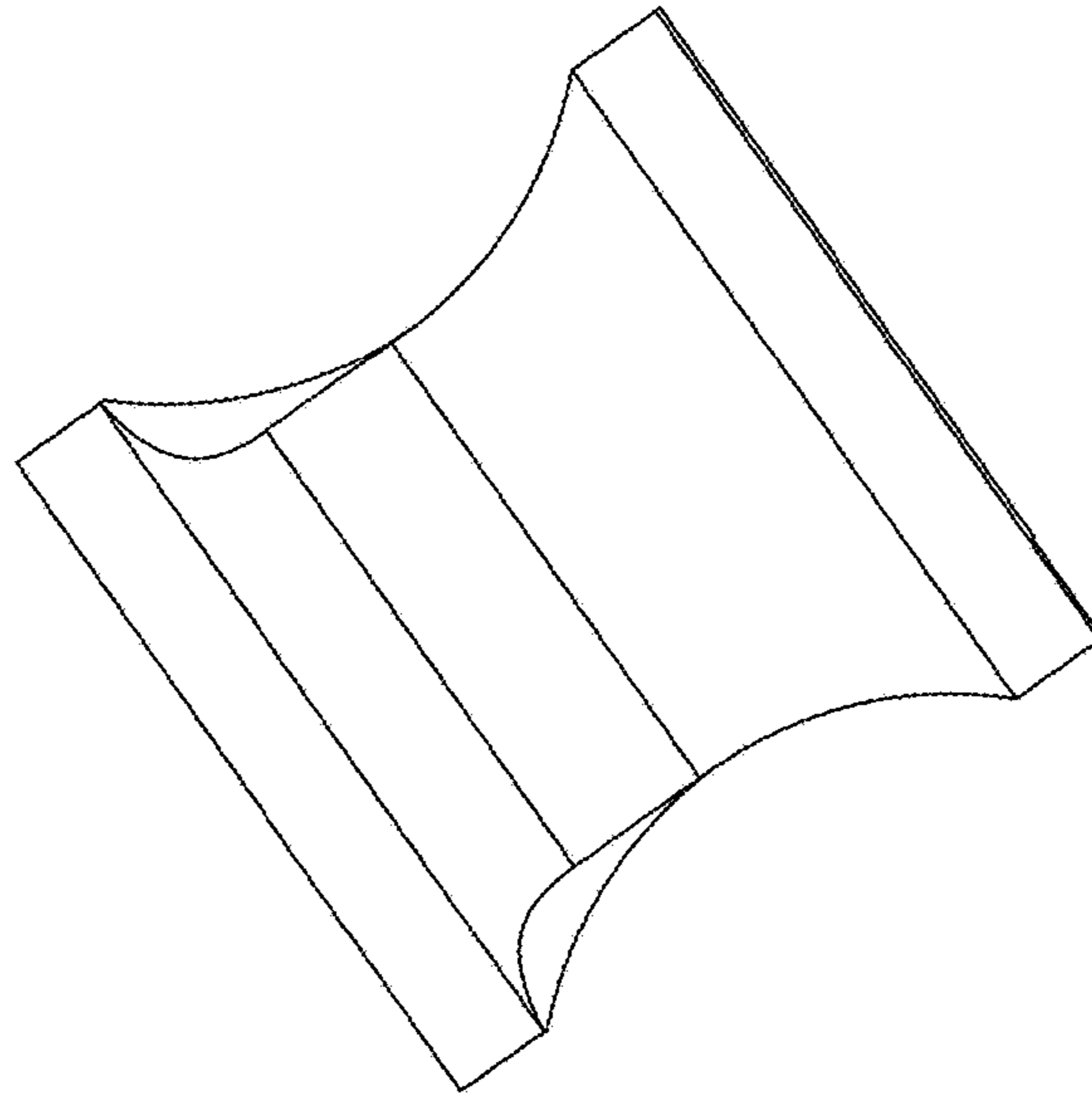


FIG. 24

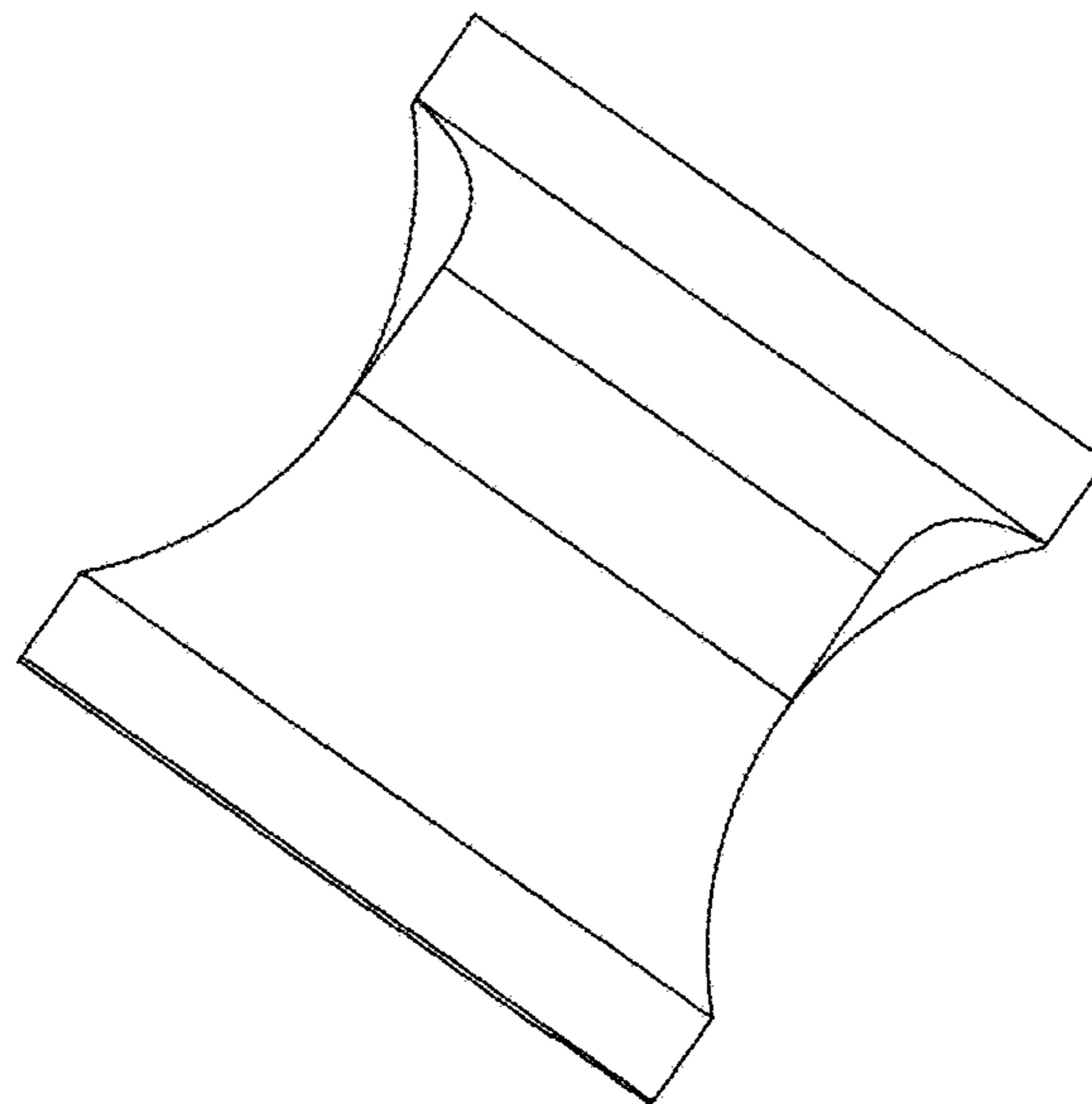


FIG. 25

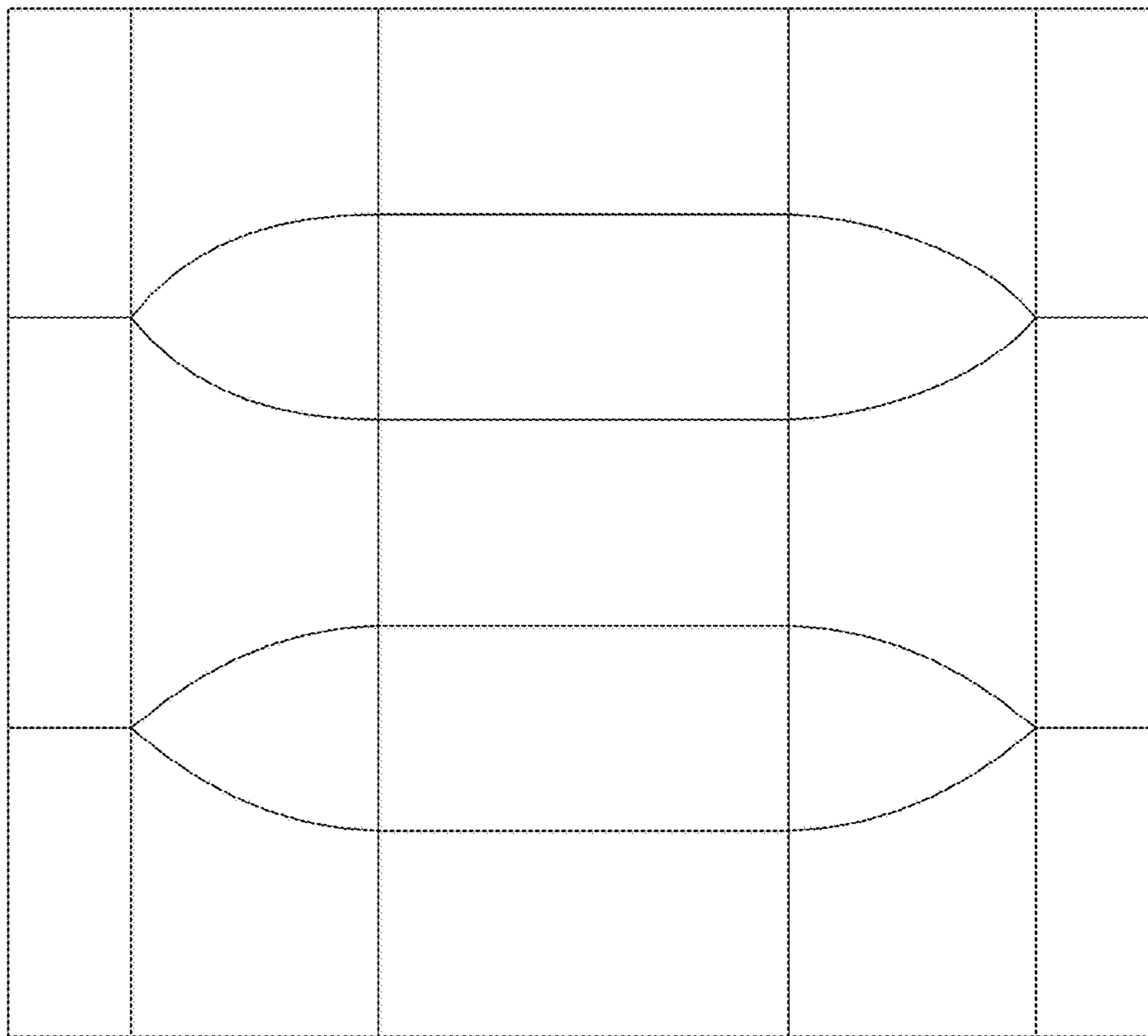


FIG. 26

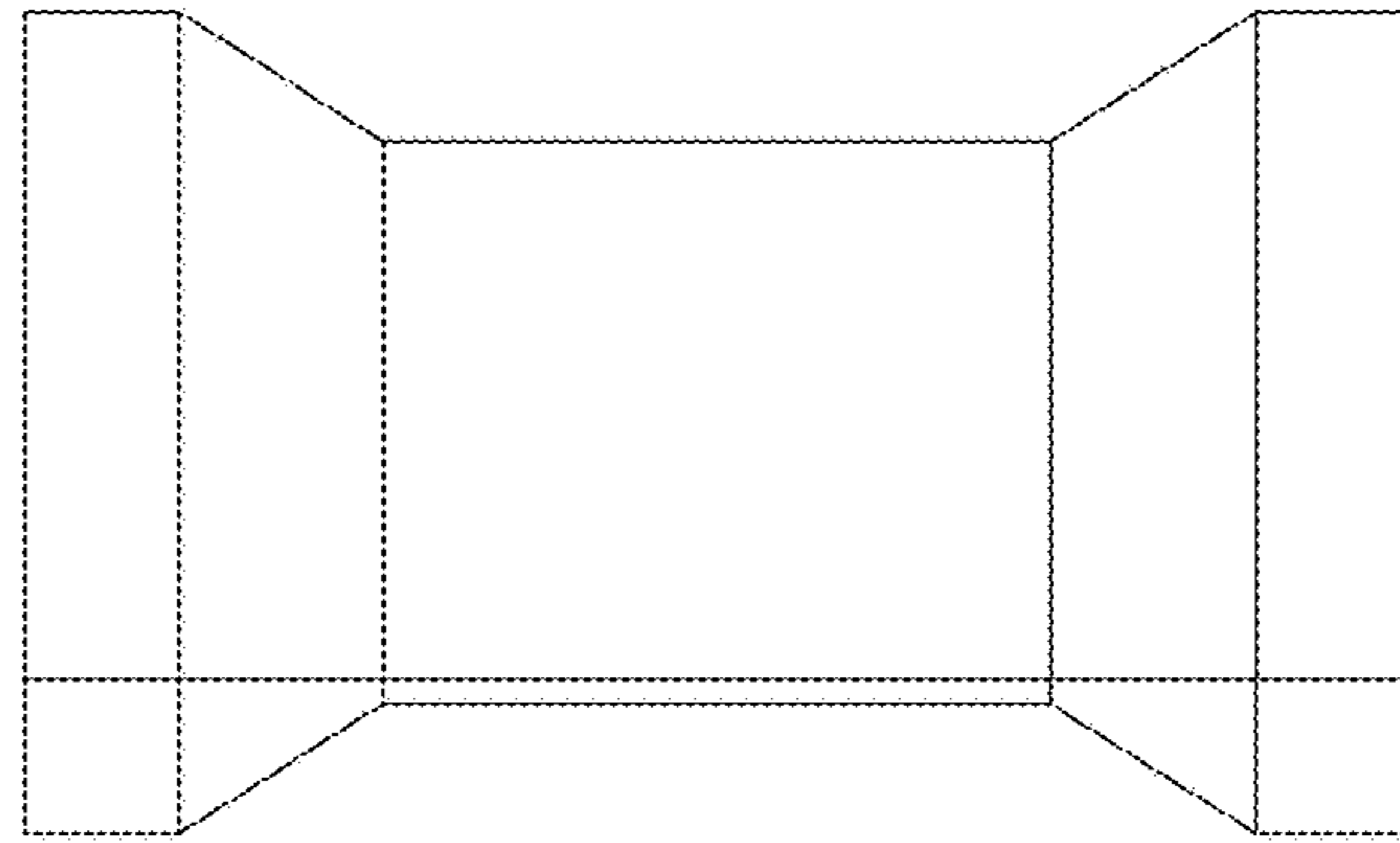


FIG. 27

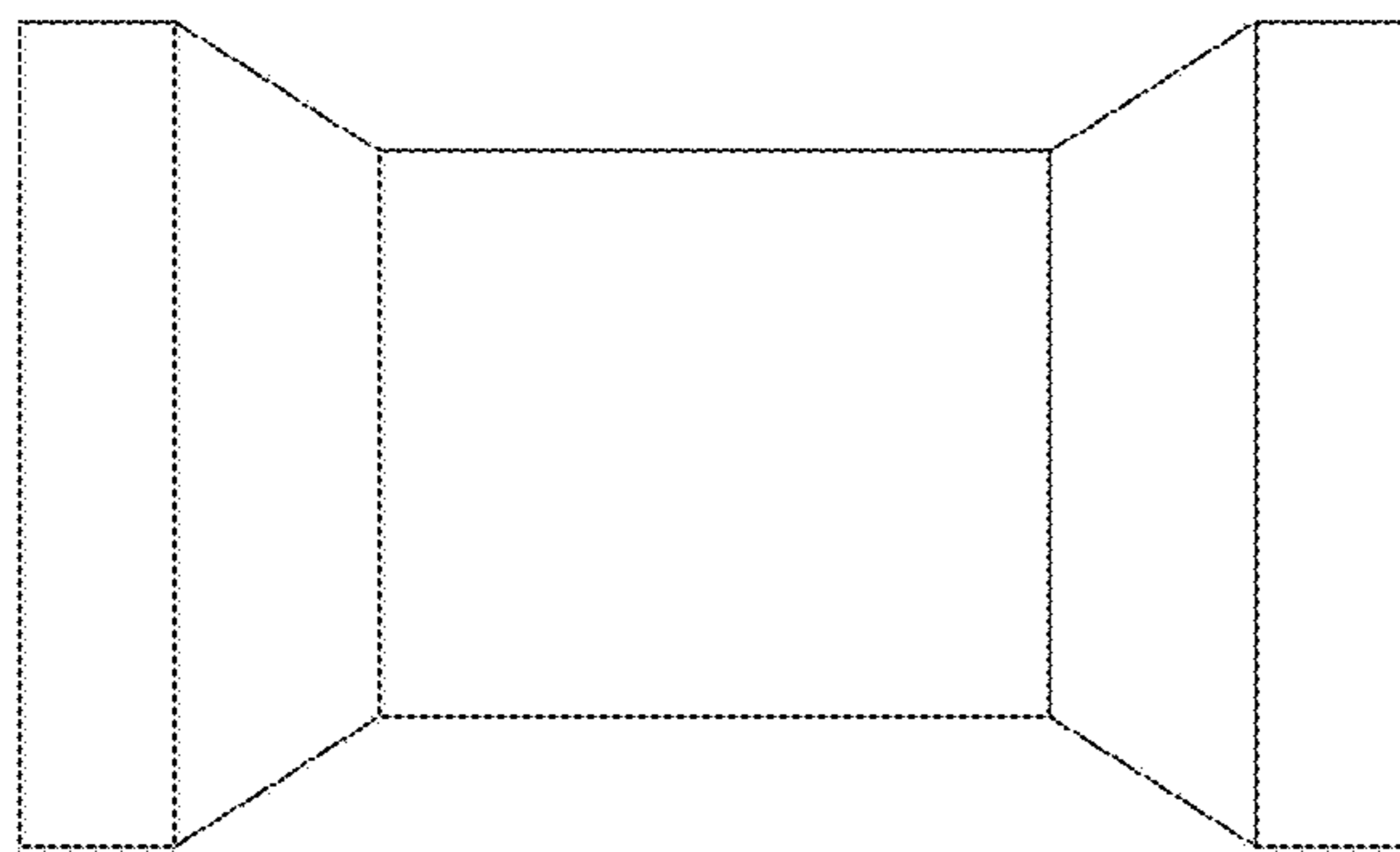


FIG. 28



FIG. 29

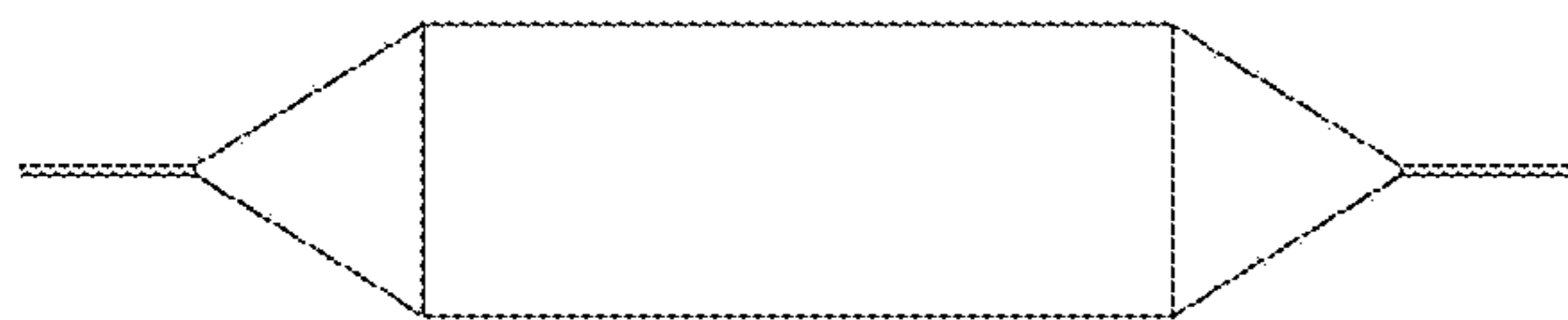


FIG. 30

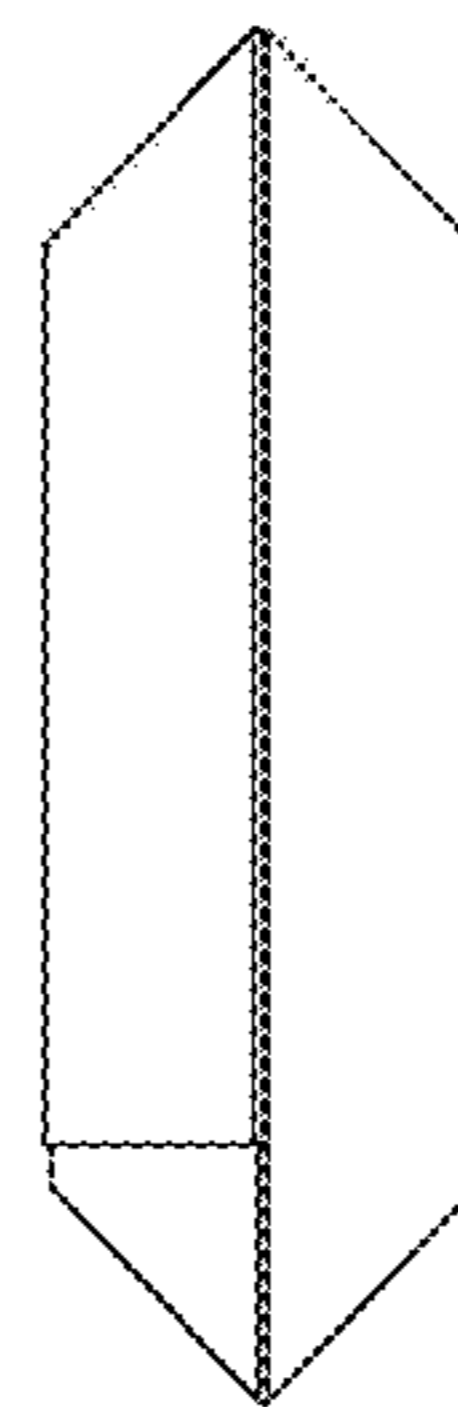


FIG. 31

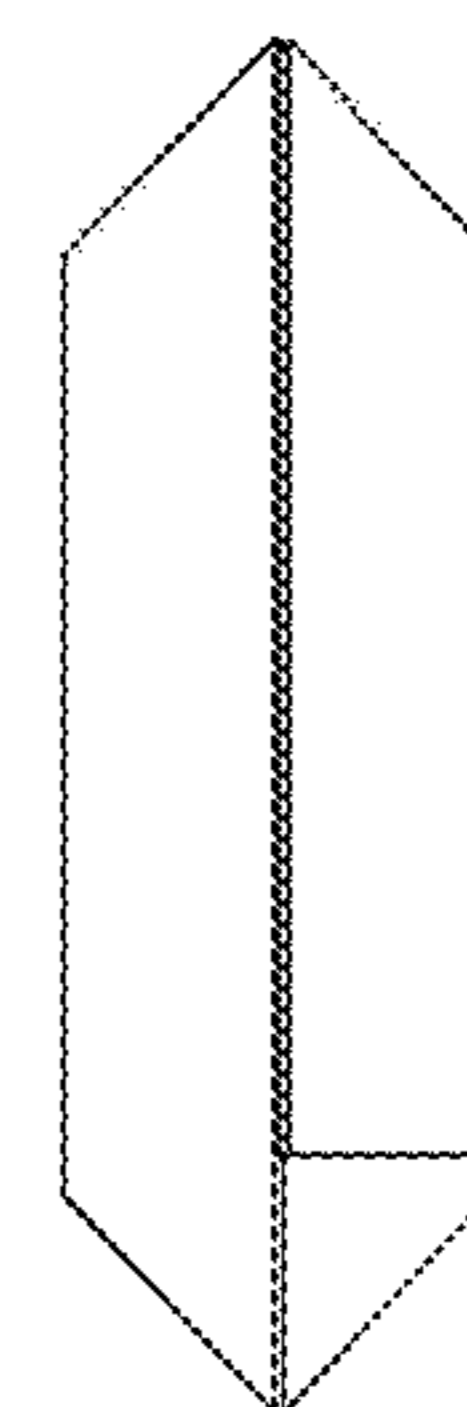


FIG. 32

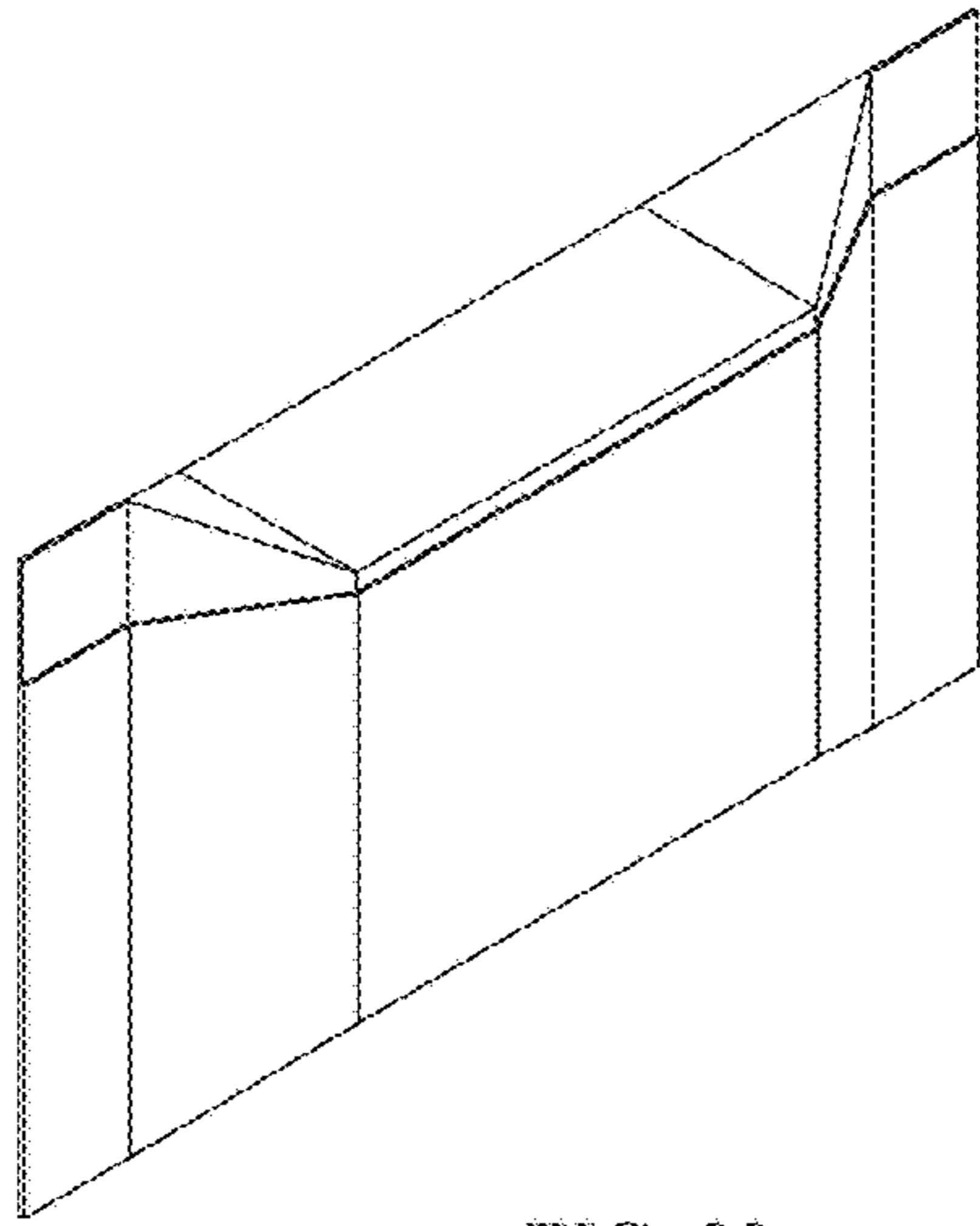


FIG. 33

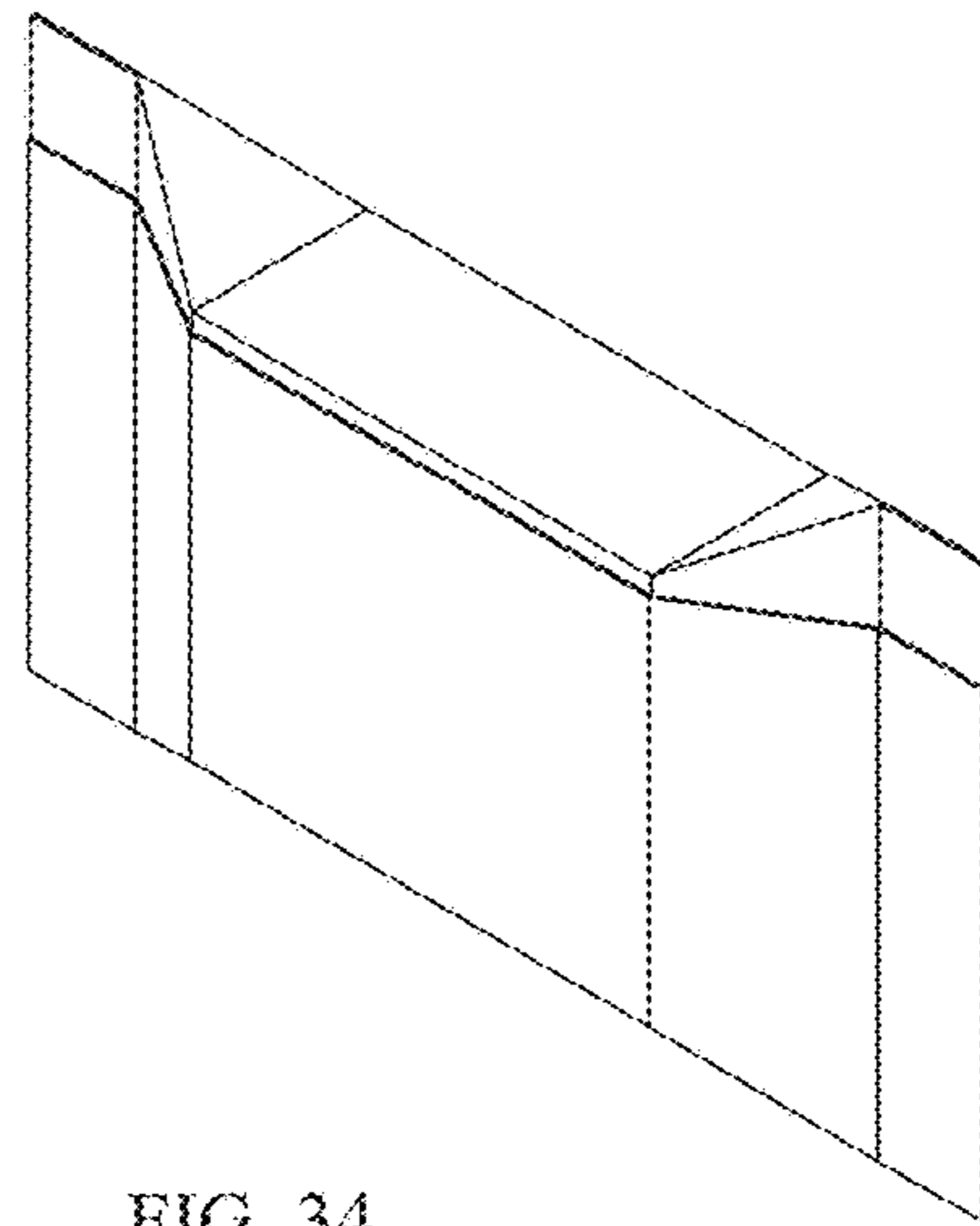


FIG. 34

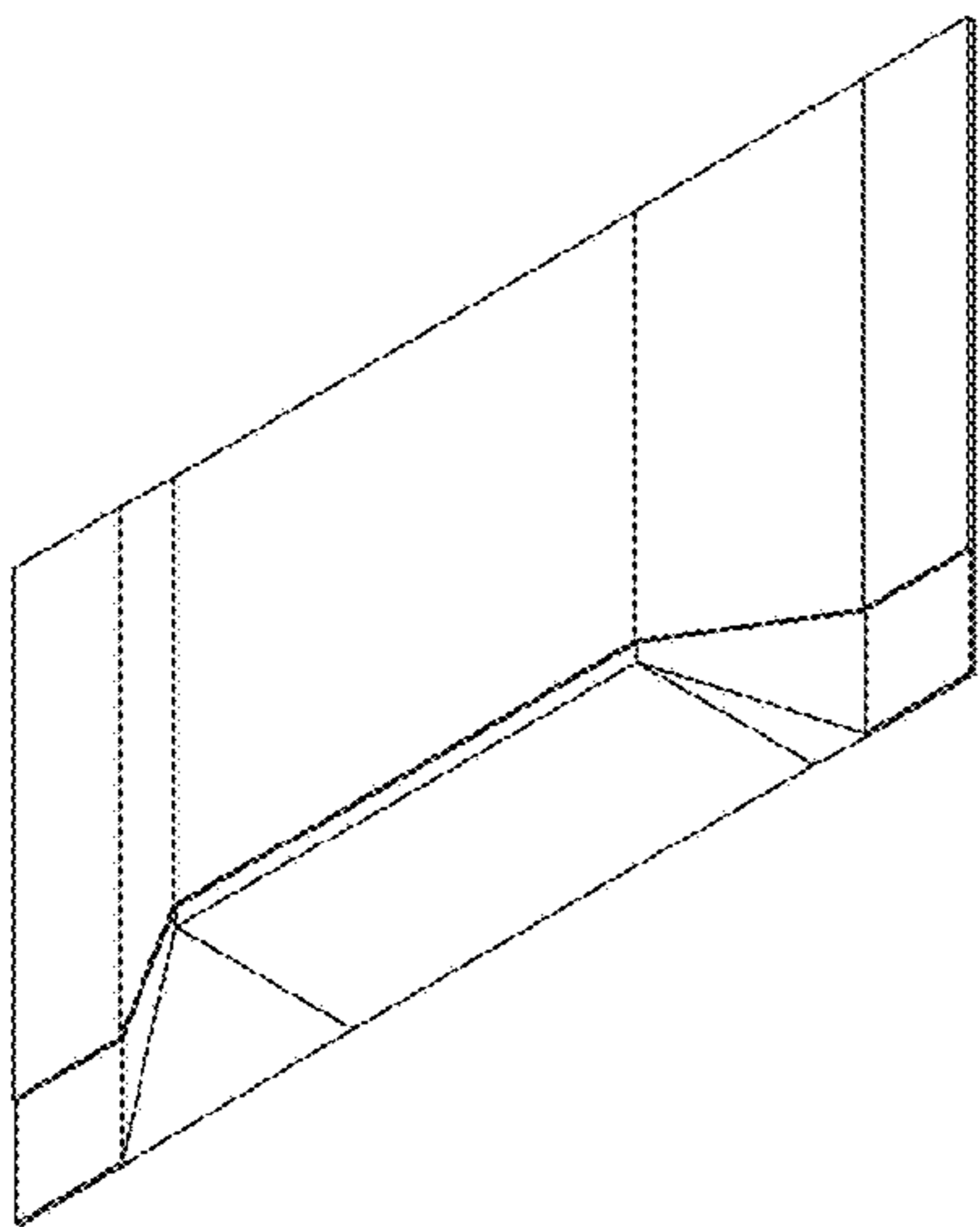


FIG. 35

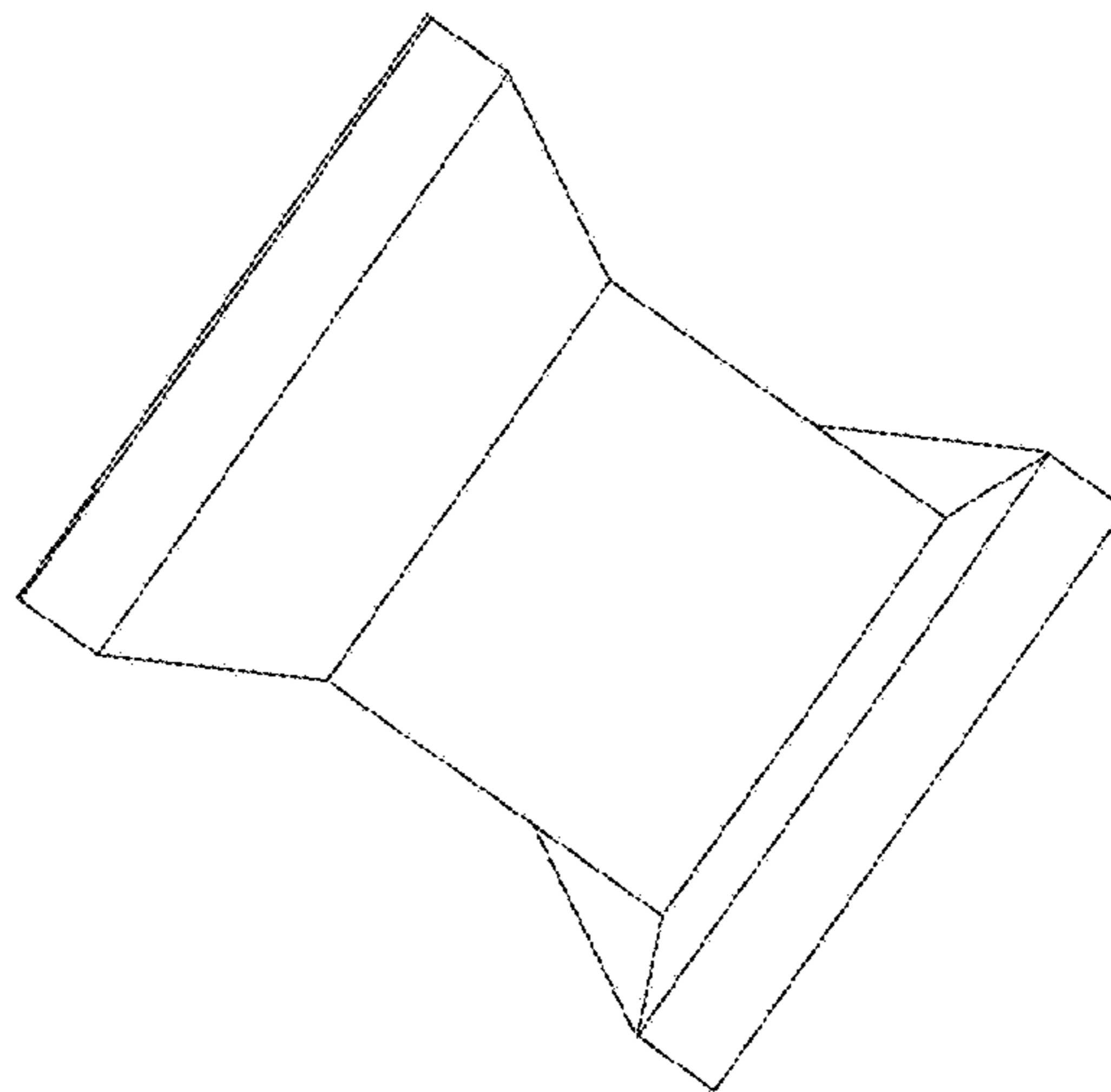


FIG. 36

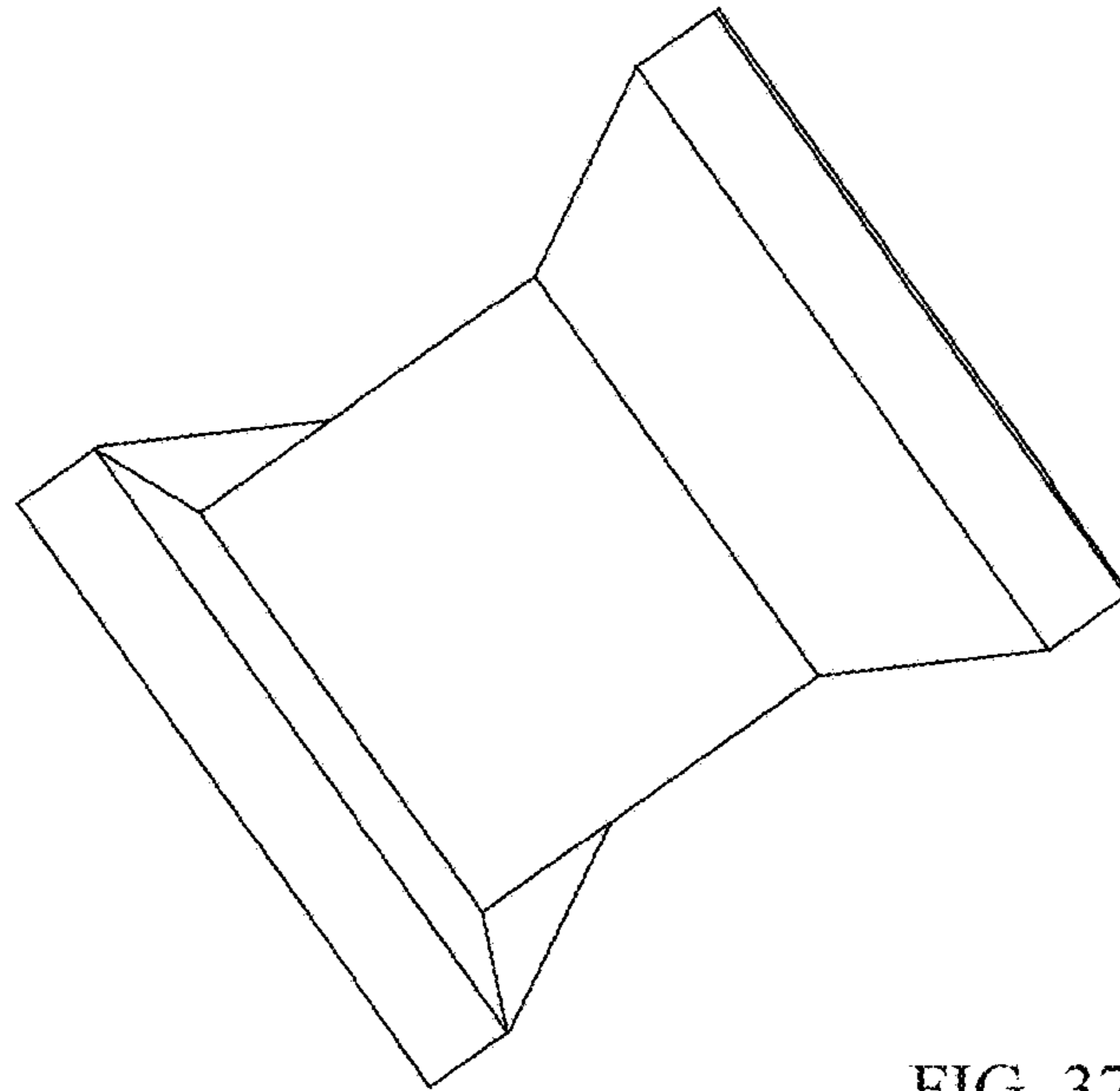


FIG. 37

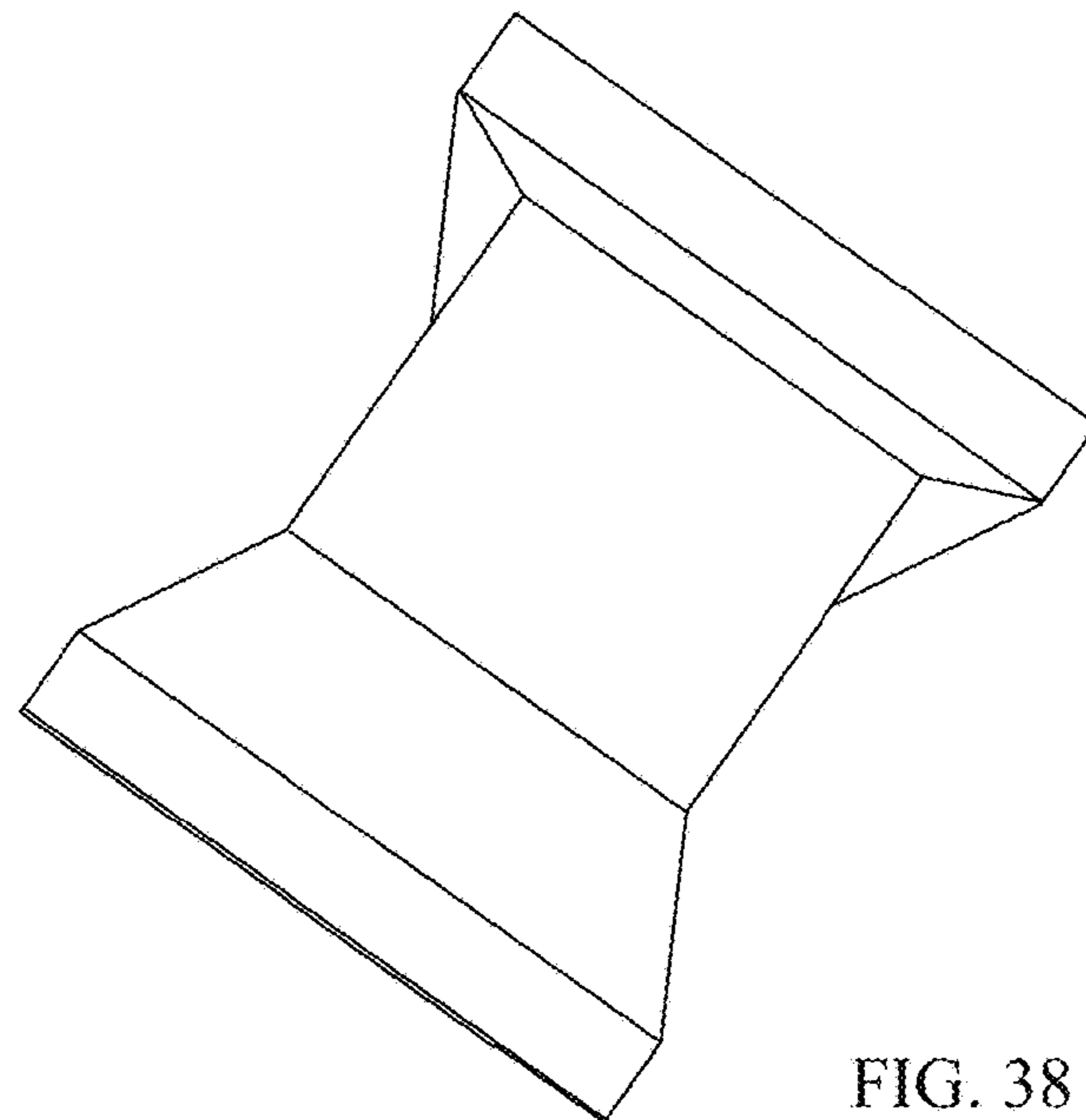


FIG. 38

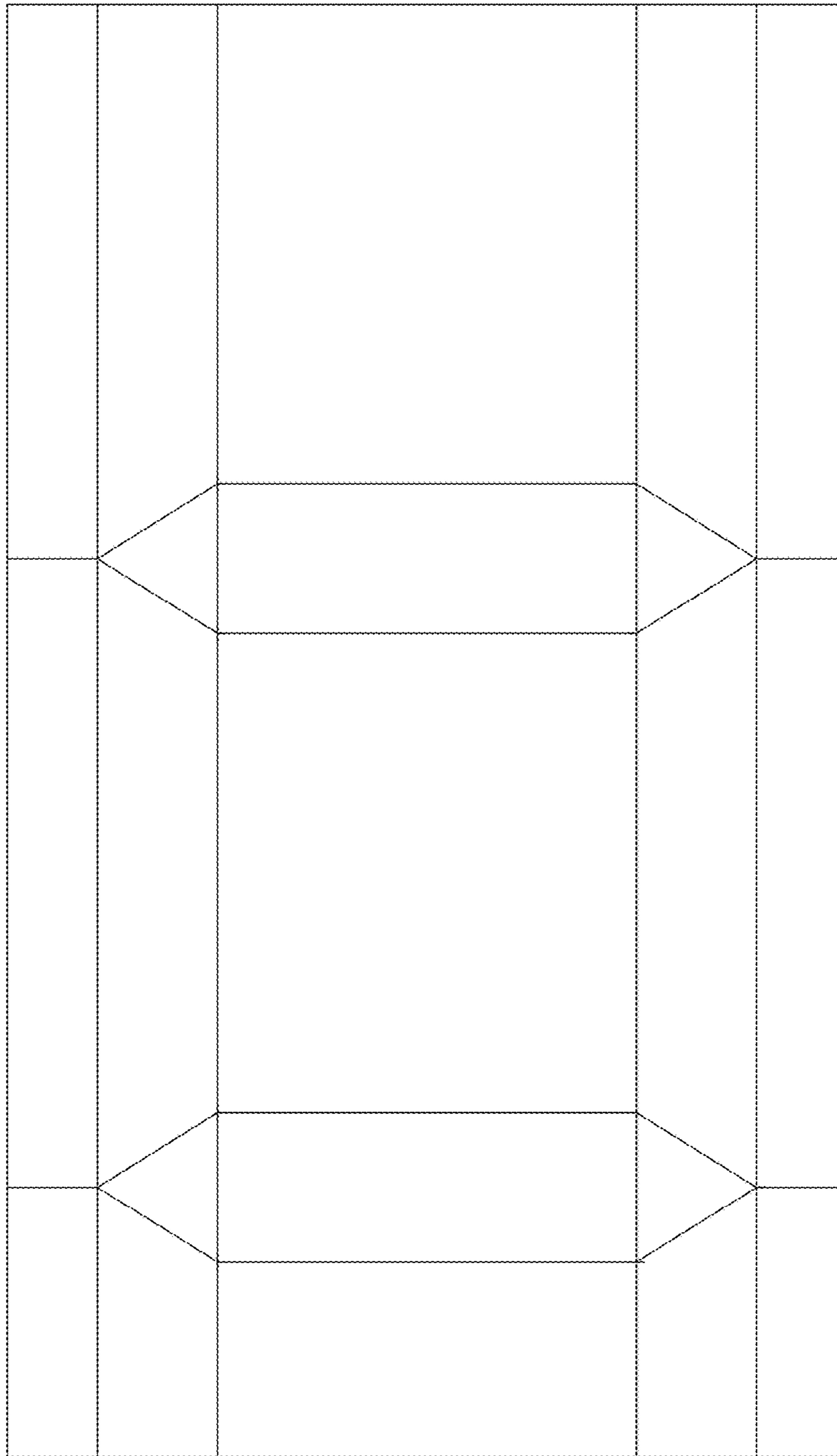


FIG. 39

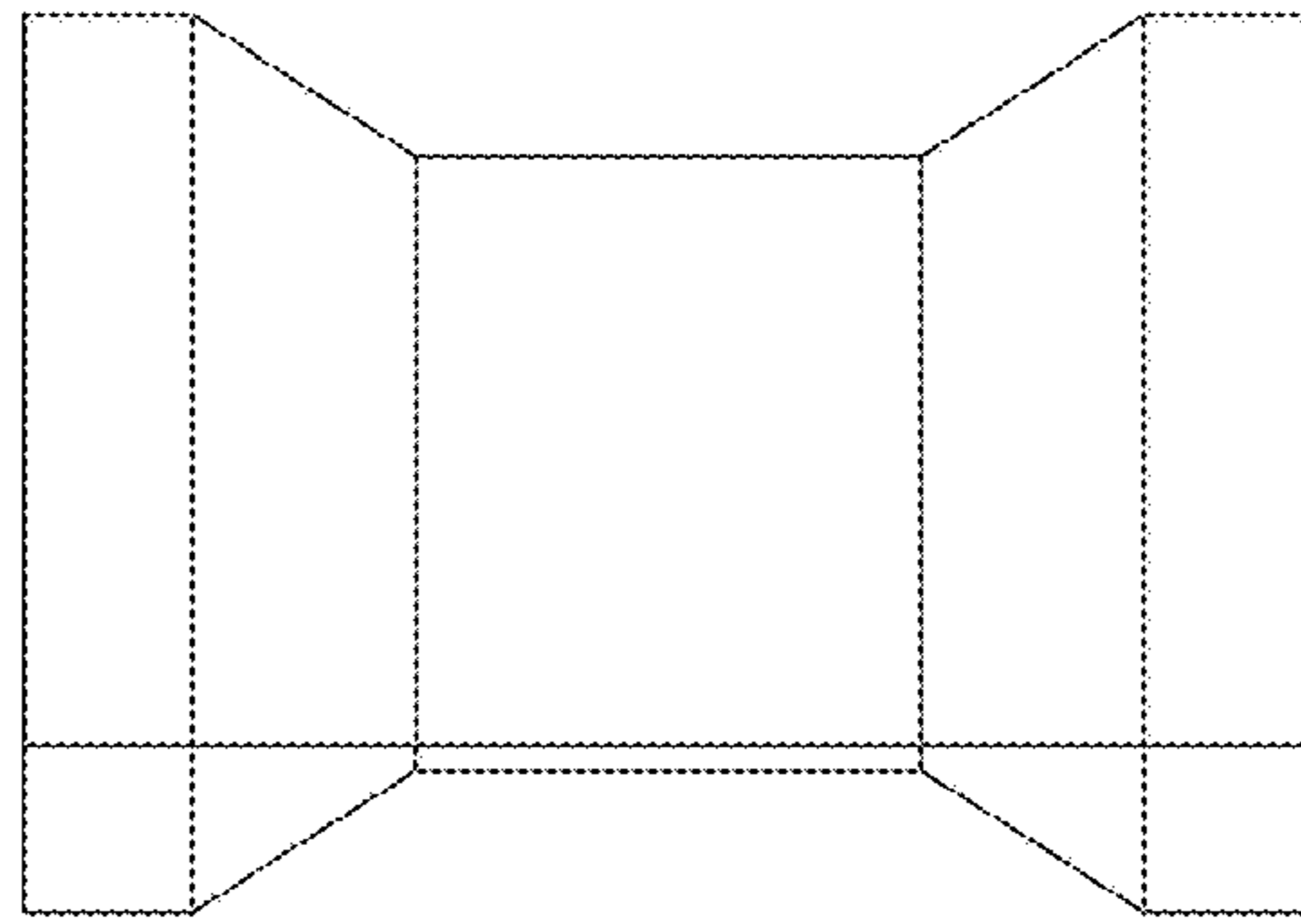


FIG. 40

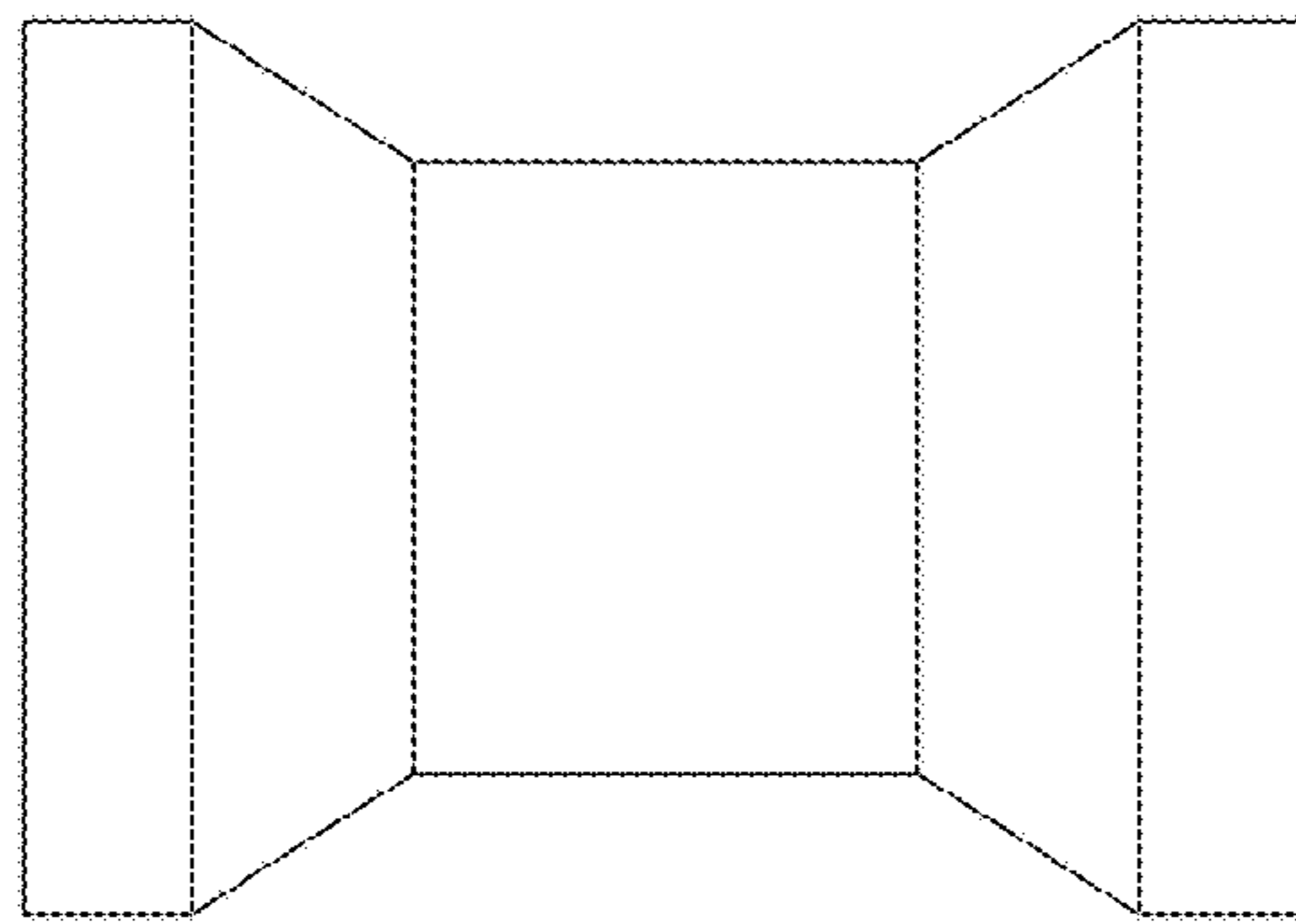


FIG. 41



FIG. 42

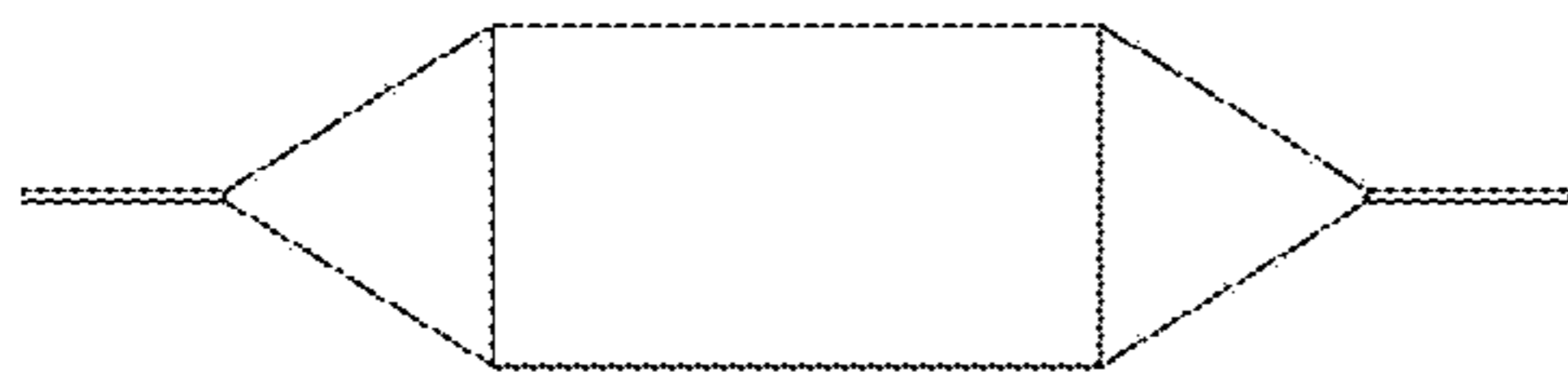


FIG. 43

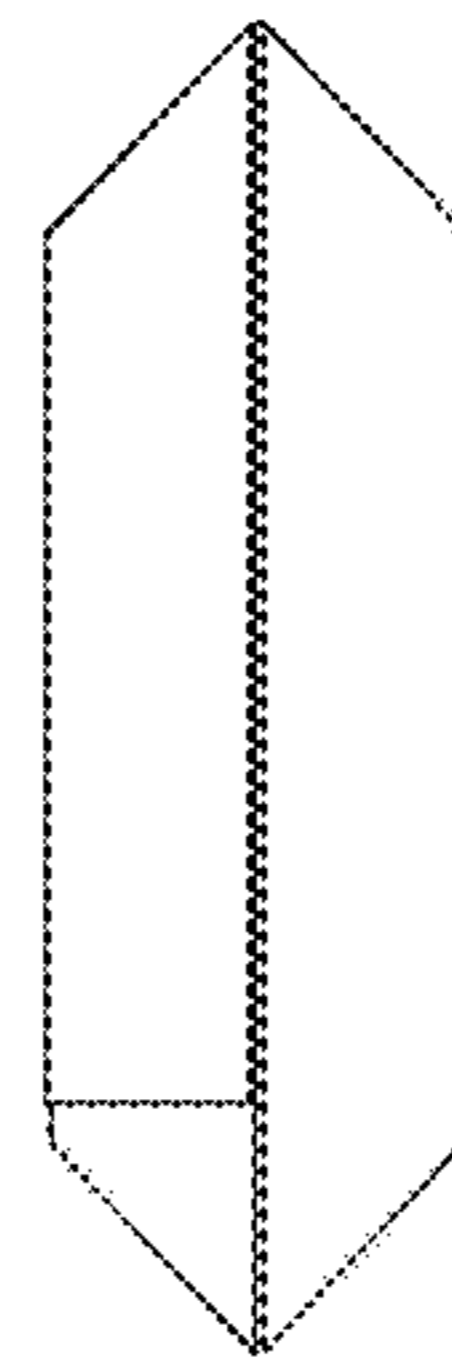


FIG. 44

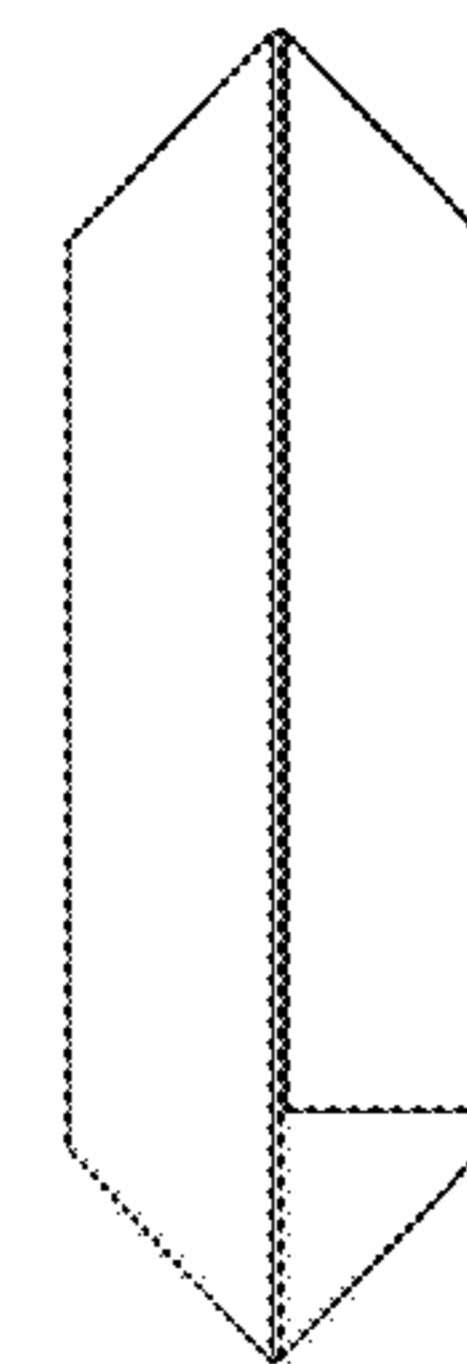


FIG. 45

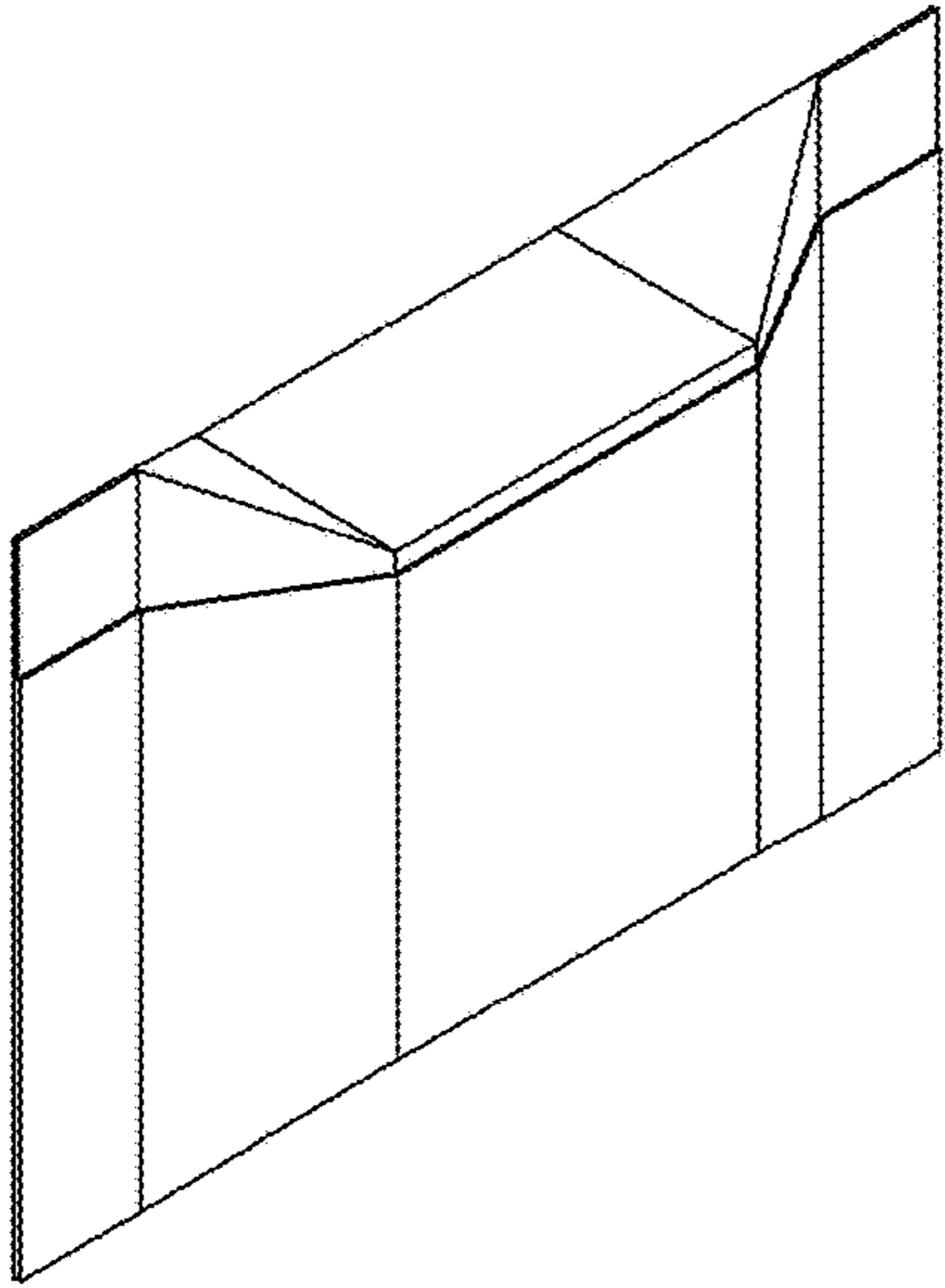


FIG. 46

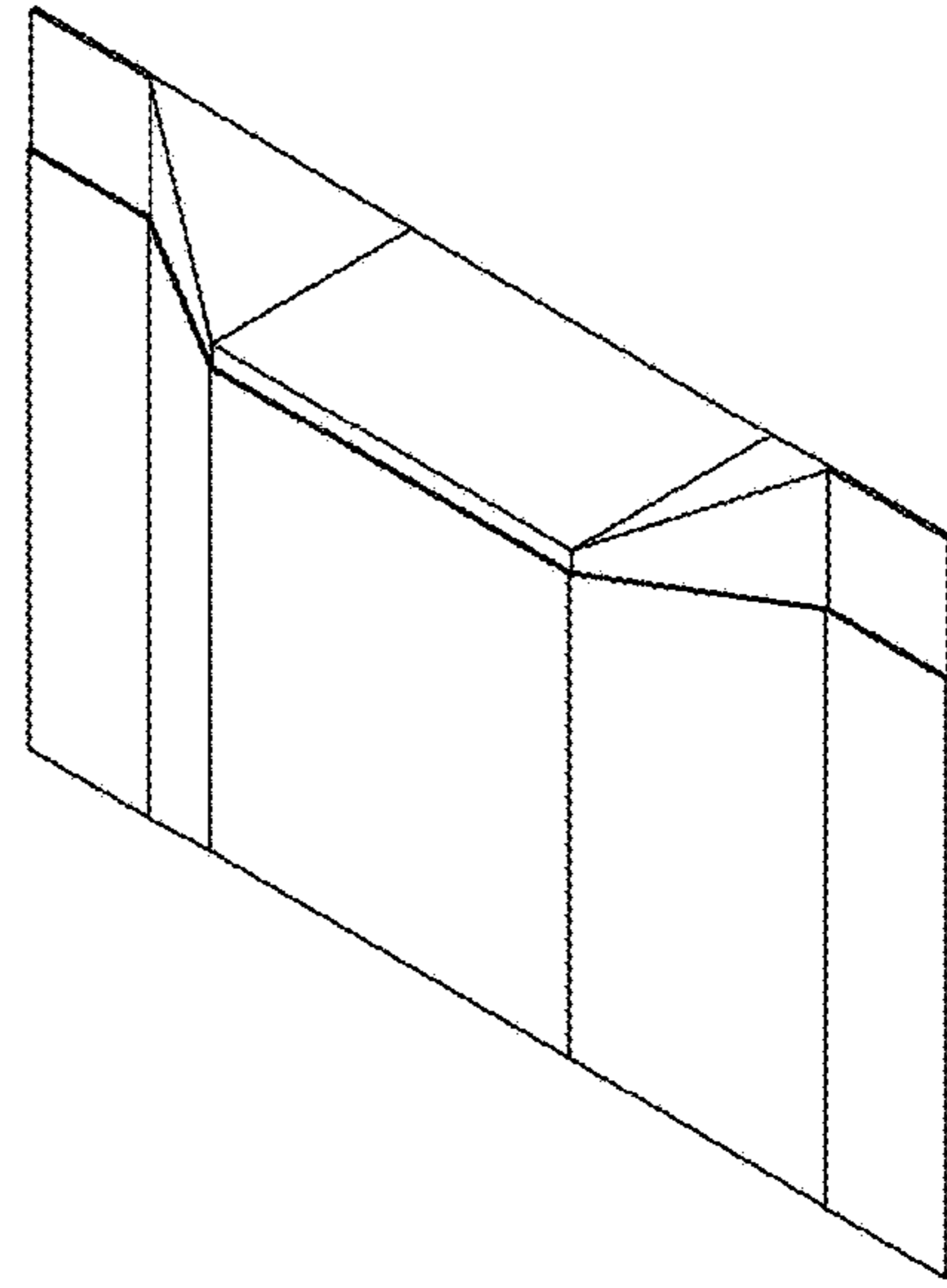


FIG. 47

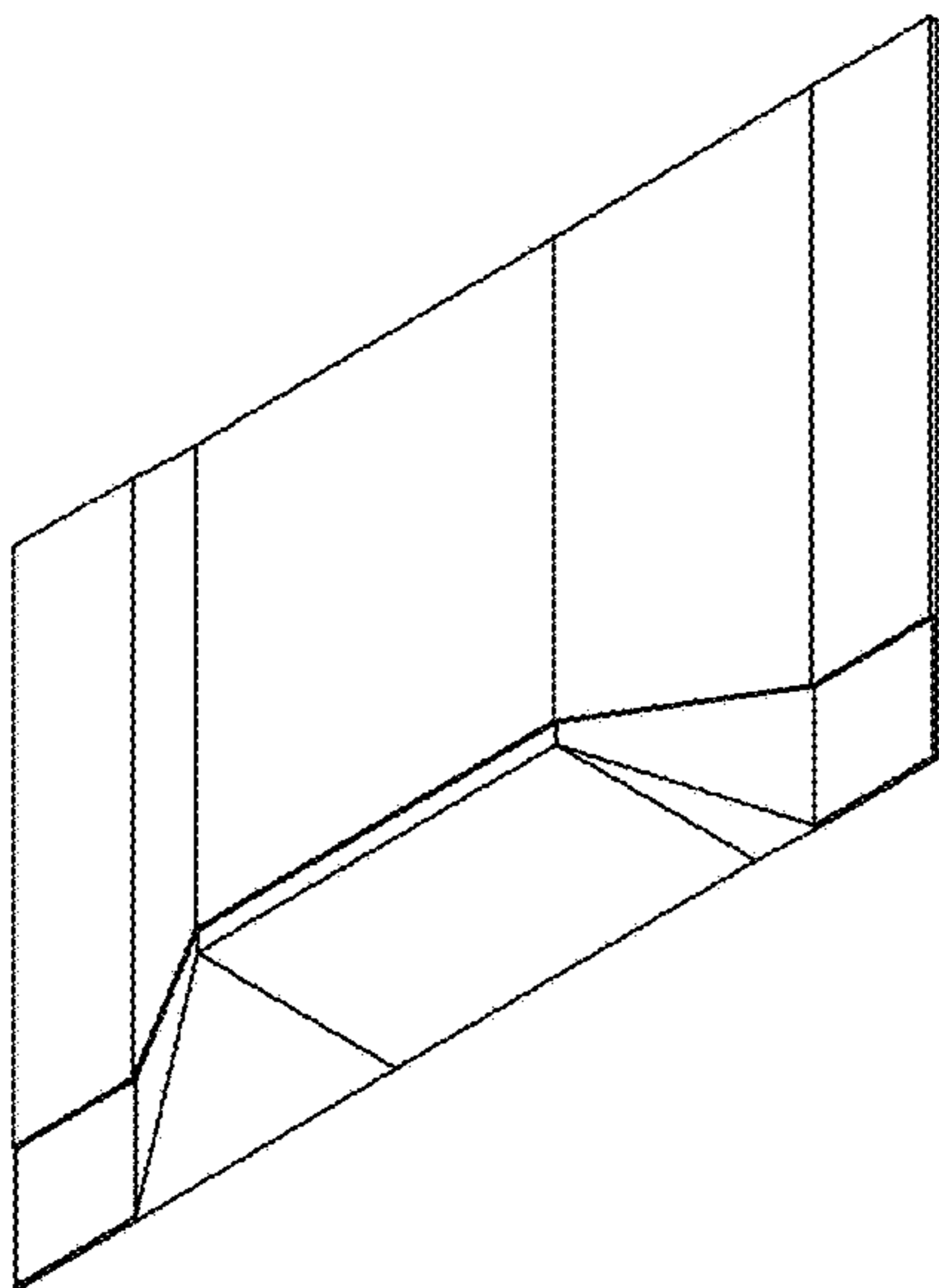


FIG. 48

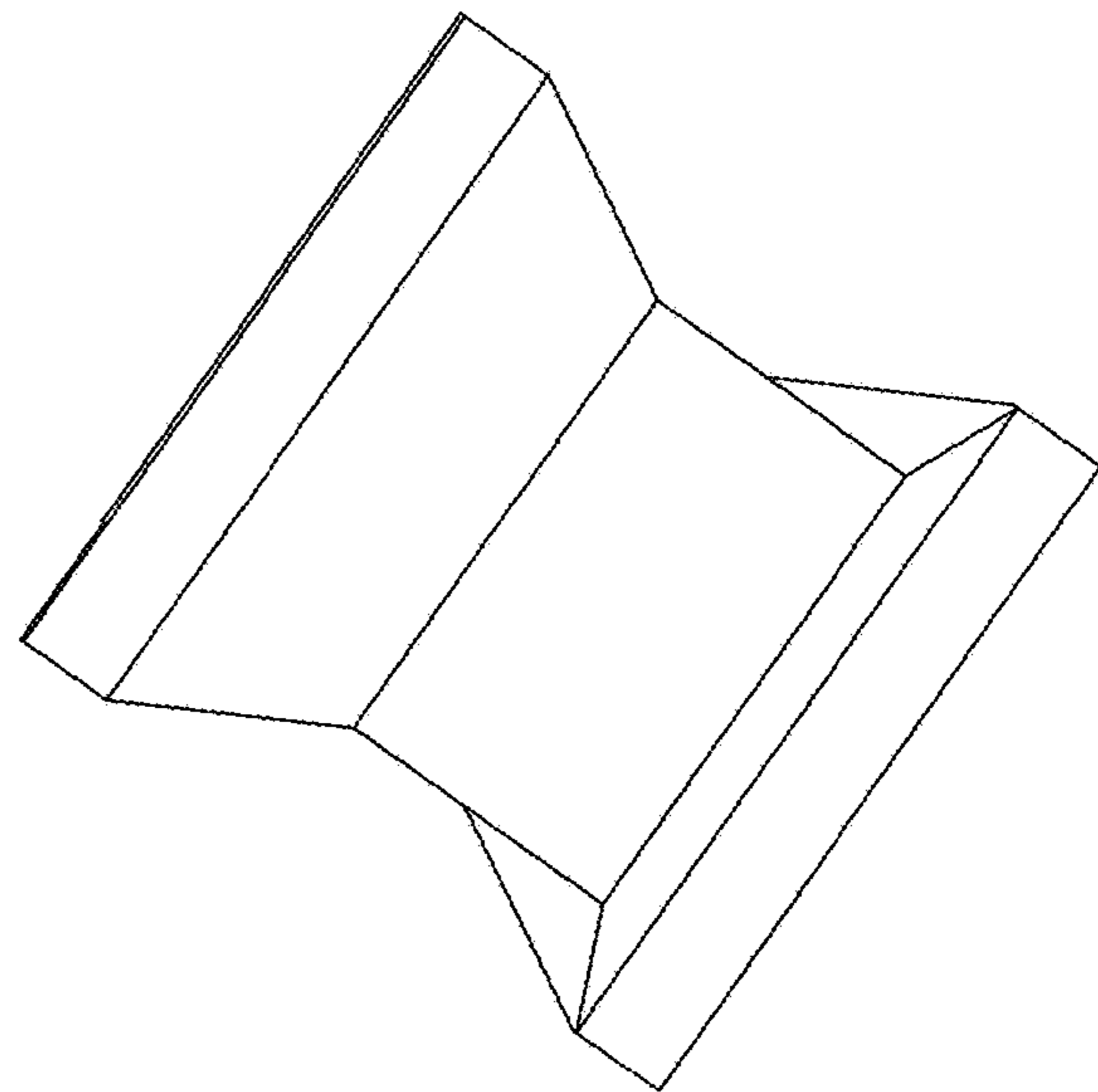


FIG. 49

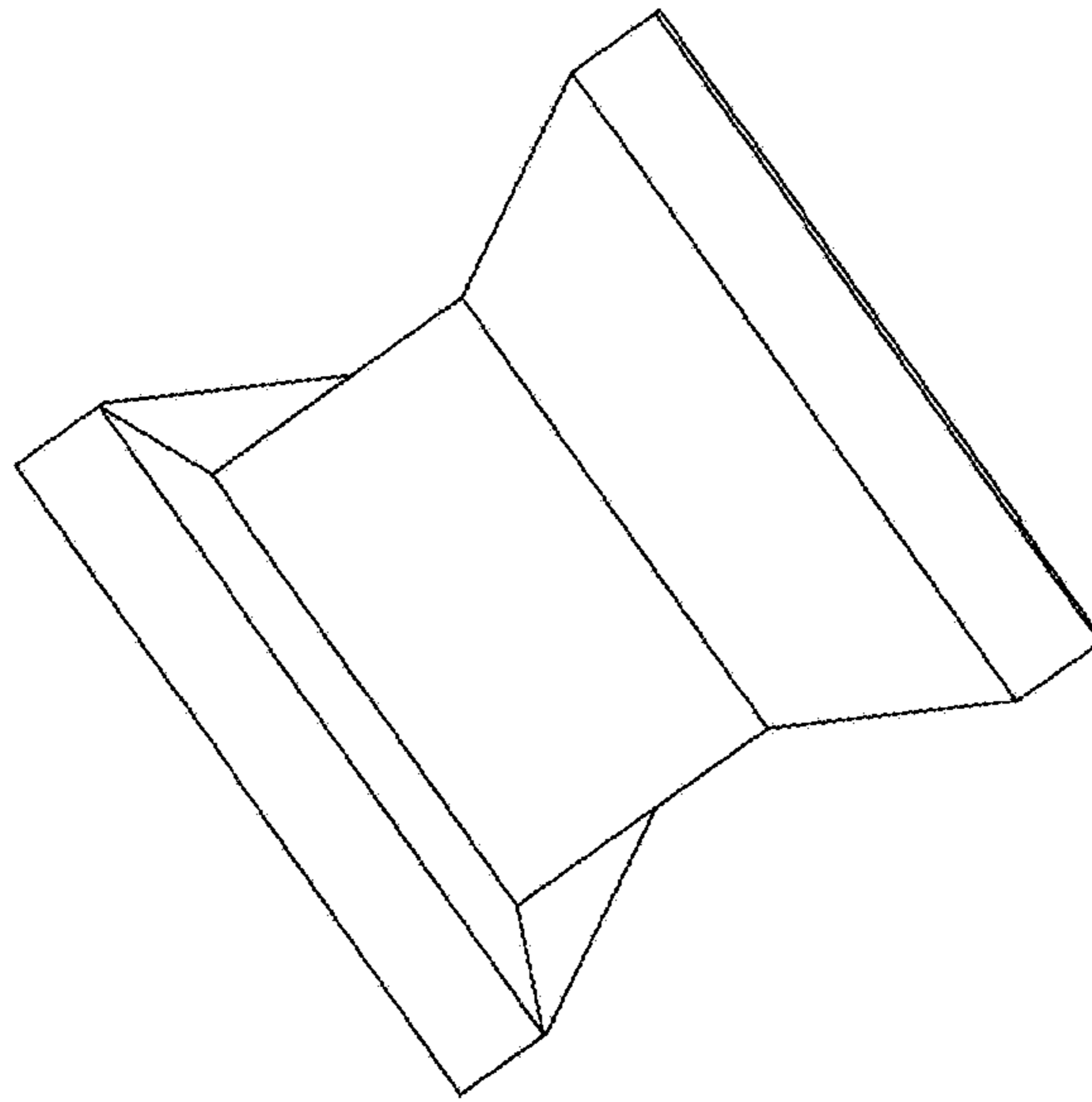


FIG. 50

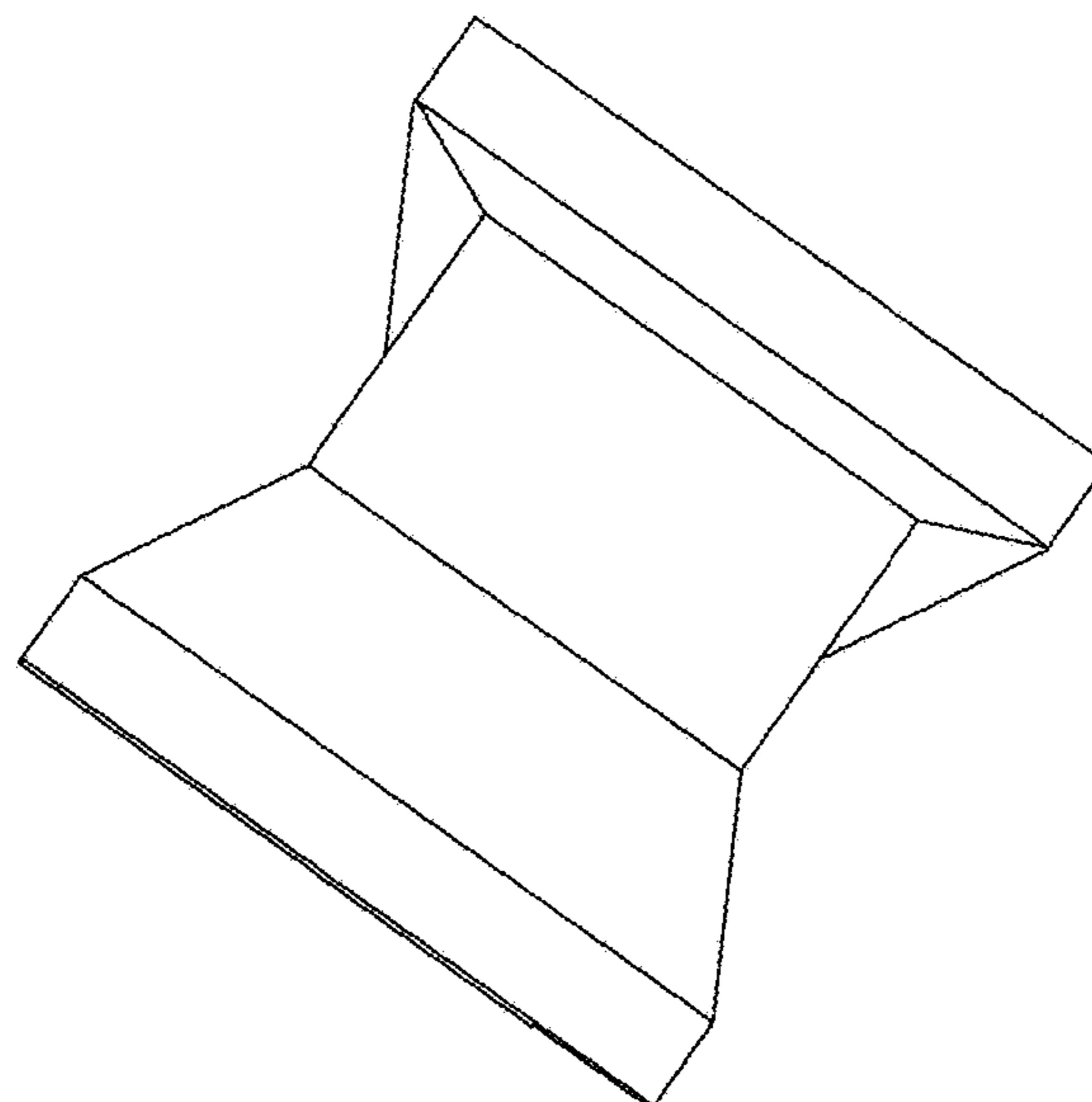


FIG. 51

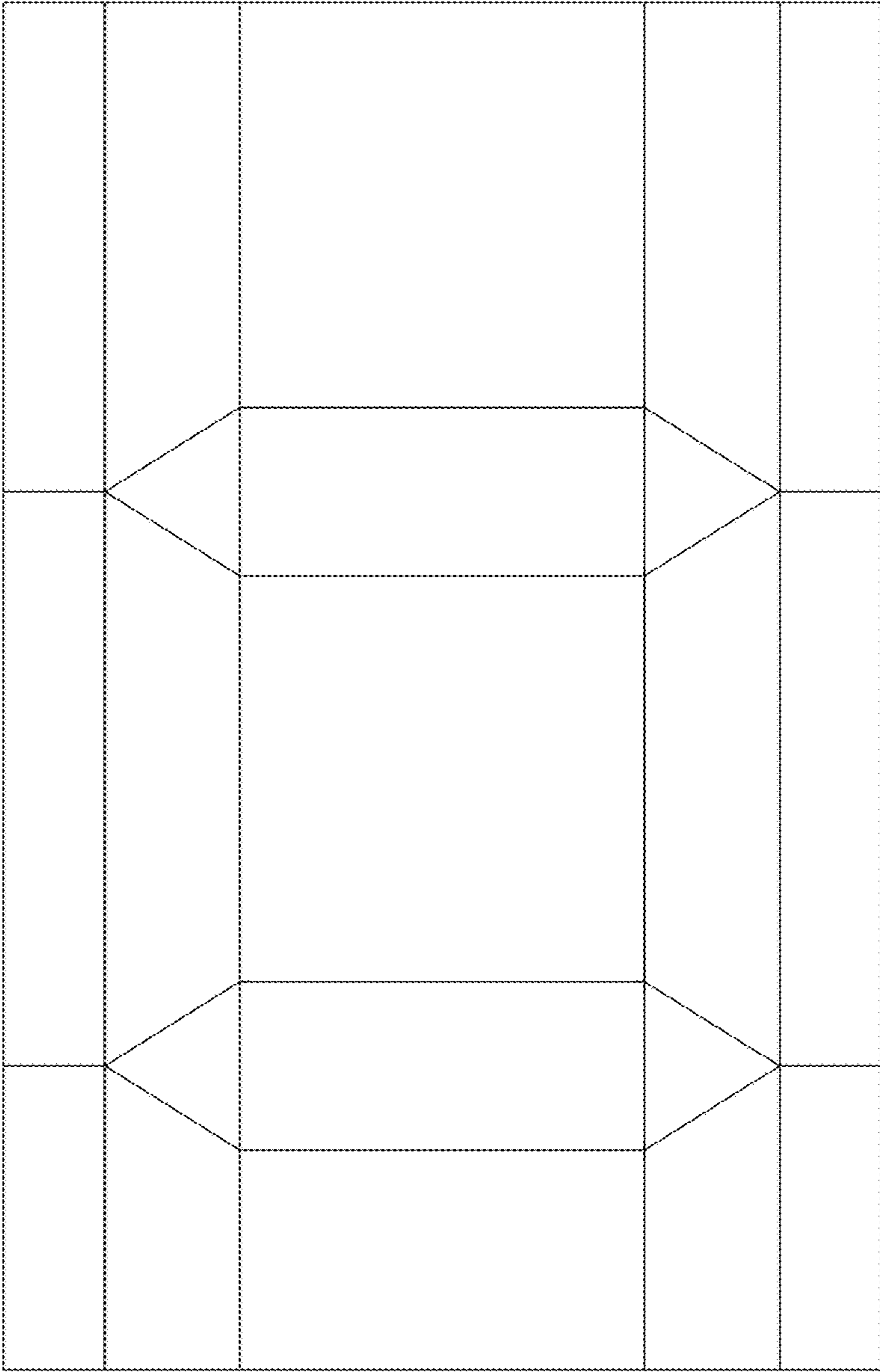


FIG. 52