



US00D842087S

(12) **United States Design Patent**
Hill

(10) **Patent No.:** **US D842,087 S**

(45) **Date of Patent:** **** Mar. 5, 2019**

(54) **FINGER PINCH GUARD**
(71) Applicant: **Martin Hill**, Wellington, FL (US)
(72) Inventor: **Martin Hill**, Wellington, FL (US)

D755,306 S * 5/2016 Lee D21/428
D782,055 S * 3/2017 Hill D24/199
D793,492 S * 8/2017 Zanger D21/597
D807,965 S * 1/2018 Lo D21/401

(**) Term: **15 Years**

(21) Appl. No.: **29/598,967**

(22) Filed: **Mar. 30, 2017**

(51) **LOC (11) Cl.** **08-09**

(52) **U.S. Cl.**
USPC **D8/402**

(58) **Field of Classification Search**
USPC D8/380, 381, 400, 402, 499
CPC B63B 17/04; E05C 1/04
See application file for complete search history.

(56) **References Cited**

U.S. PATENT DOCUMENTS

D153,426 S * 4/1949 Ganine D21/599
D233,460 S * 10/1974 Langieri D21/408
D245,804 S * 9/1977 Cone D21/599
4,262,443 A * 4/1981 Ferris A63H 13/02
446/289
D296,573 S * 7/1988 Tong D21/585
D313,460 S * 1/1991 Boucher D21/597
D317,800 S * 6/1991 Laursen D21/599
D370,037 S * 5/1996 Berggreen D21/597
D483,661 S * 12/2003 French D8/402
D612,455 S * 3/2010 Henderson D21/597
D632,109 S * 2/2011 Baron D6/525
D670,771 S * 11/2012 Lo D21/597
D679,809 S * 4/2013 Clarke D24/110.1
8,424,129 B2 * 4/2013 Henderson A47K 3/005
4/661
D701,754 S * 4/2014 Belyea D8/402
D749,857 S * 2/2016 Krenkler D4/125

OTHER PUBLICATIONS

Baby safety child lock, posted at aliexpress.com, posting date not given, [online], [site visited May 8, 2018]. Available from Internet, URL: <https://nl.aliexpress.com/item/Baby-safety-child-lock-whale-children-security-protection-for-cabinet-corner-child-safe-lock-refrigerator-window/32844595145.html> (Year: 2018).*

Door Monkey Door Lock and Pinch Guard, posted at amazon.com, posting date by Apr. 11, 2011, [online], [site visited May 8, 2018]. Available from Internet, URL: <https://www.amazon.com/Door-Monkey-Childproof-Pinch-Guard/dp/B004ECJWK4> (Year: 2011).*

Eudemon Adjustable Finger Pinch Guard, posted at amazon.com, posting date by Jun. 13, 2017, [online], [site visited May 8, 2018]. Available from Internet, URL: <https://www.amazon.com/Eudemon-Adjustable-Guard-Finger-Proofing/dp/B071V6SKJ7> (Year: 2017).*

(Continued)

Primary Examiner — George D. Kirschbaum

Assistant Examiner — Maria J Edwards

(57) **CLAIM**

The ornamental design for a finger pinch guard, as shown.

DESCRIPTION

FIG. 1 is a front perspective view of a finger pinch guard showing my new design;

FIG. 2 is a top view thereof;

FIG. 3 is a bottom view thereof;

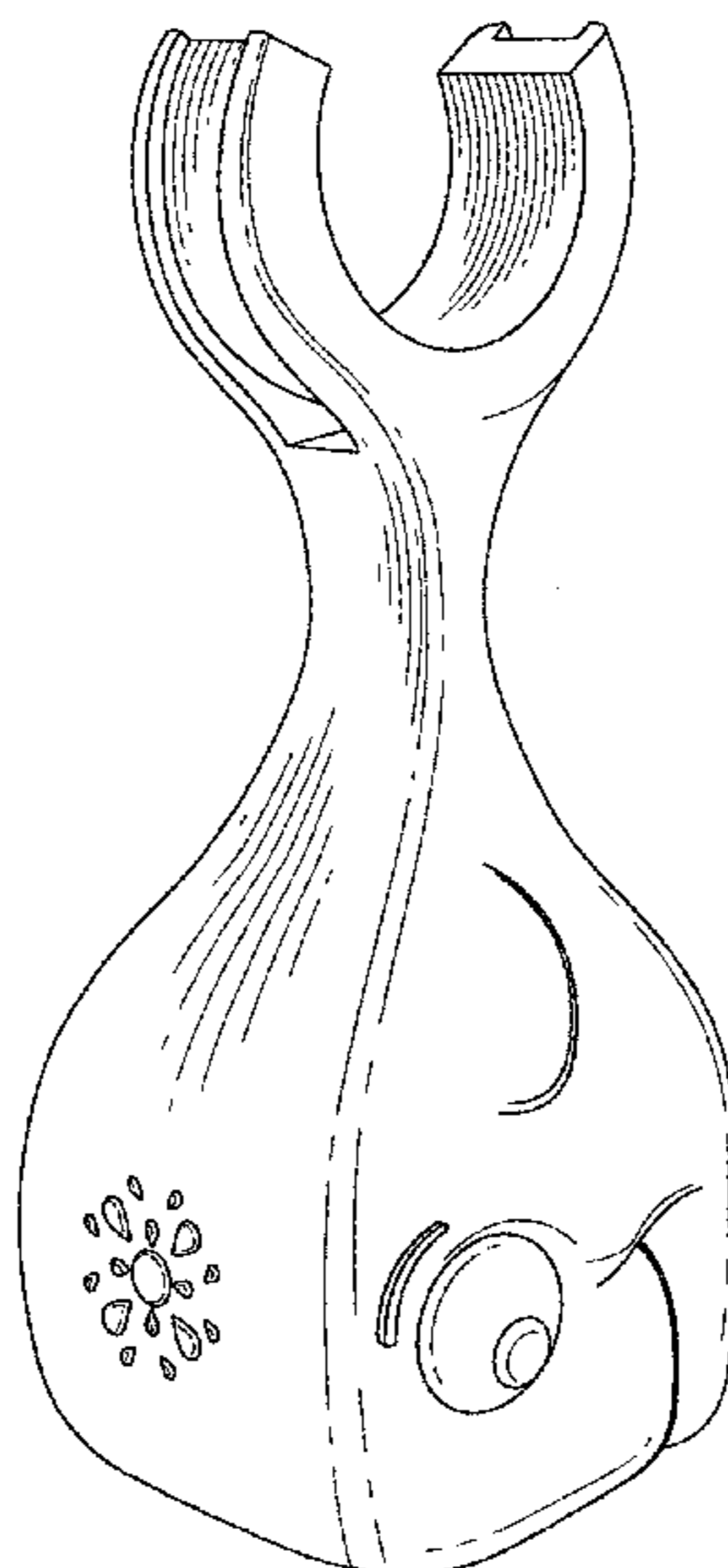
FIG. 4 is a side view thereof;

FIG. 5 is another side view thereof;

FIG. 6 is a rear view thereof; and,

FIG. 7 is a front view thereof;

1 Claim, 5 Drawing Sheets



(56)

References Cited

OTHER PUBLICATIONS

Finger pinch guard, posted at amusafety.com, posting date not given, [online], [site visited May 8, 2018]. Available from Internet, URL: http://www.amusafety.com/e_products/show/?239-safety-door-stopperfinger-pinch-guard-239.html (Year: 2018).*

Mambobaby Finger Pinch Guard, posted at aliexpress.com, no posting date, [online], [site visited May 8, 2018]. Available from Internet, URL: <https://nl.aliexpress.com/item/Mambobaby-3-STKS-Slak-Vormige-Baby-Proofing-Vingerknelbeveiliging-Guard-Veiligheid-Deurstopper-Baby-Veilig-Protector/32851807493.html> (Year: 2018).*

Pinch-Not Door Bunny Finger Safety Guard, posted at pinchnot.com, posting date not given, [online], [site visited May 8, 2018]. Available from Internet, URL: <https://pinchnot.com/products/pinchnot-door-bunny-finger-safety-guard-bumper-stop-flips-on-off-by-carlsbad-safety-products> (Year: 2018).*

Regalo Whale Bath Spout Cover, posted at amazon.com, posting date not given, [online], [site visited May 8, 2018]. Available from Internet, URL: <https://www.amazon.com/dp/B01N175A1Q> (Year: 2018).*

Skip Hop Moby Bath Spout Cover, posted at amazon.com, posting date Feb. 25, 2015, [online], [site visited May 8, 2018]. Available from Internet, URL: <https://www.amazon.com/gp/product/B001WAJVZM/> (Year: 2015).*

* cited by examiner

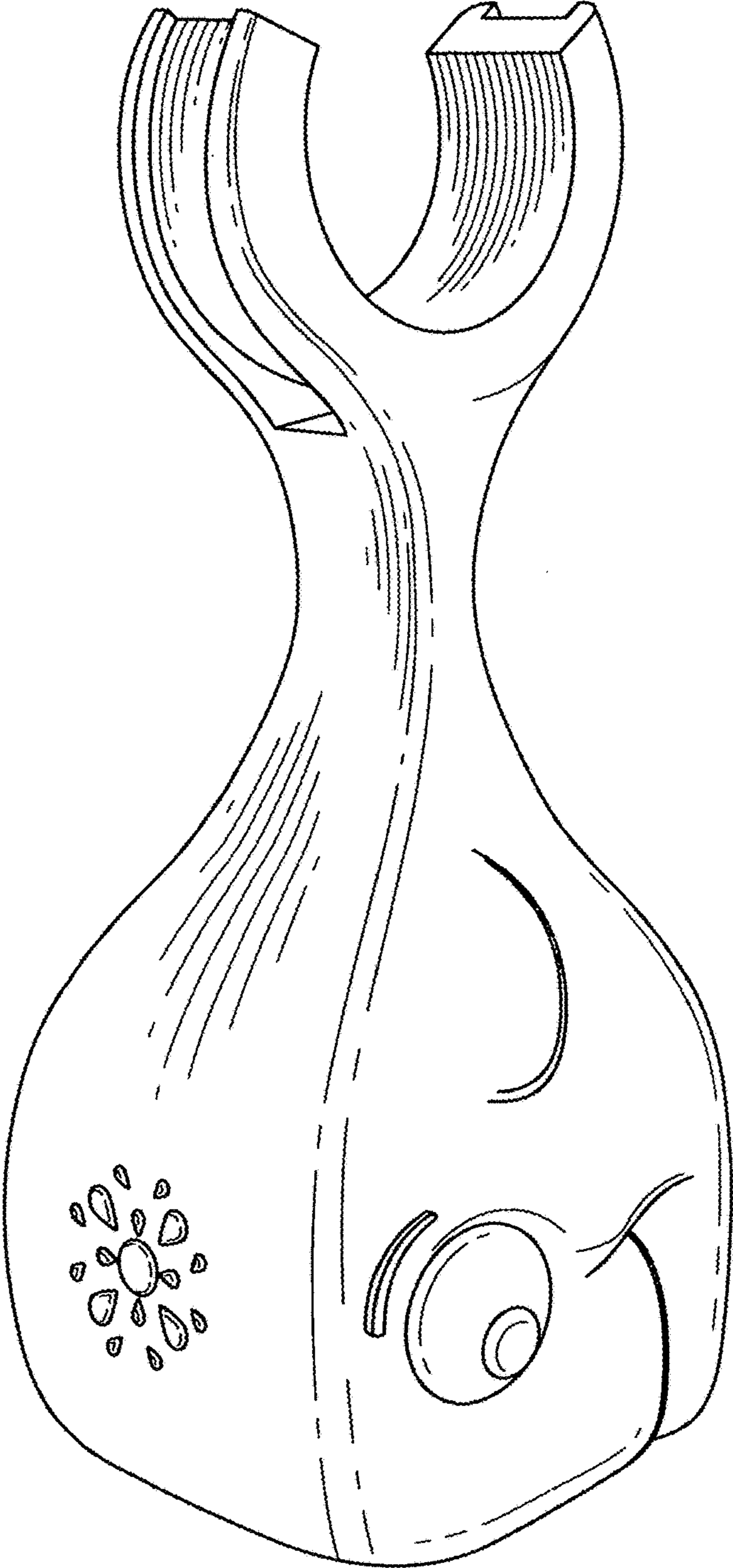


FIG. 1

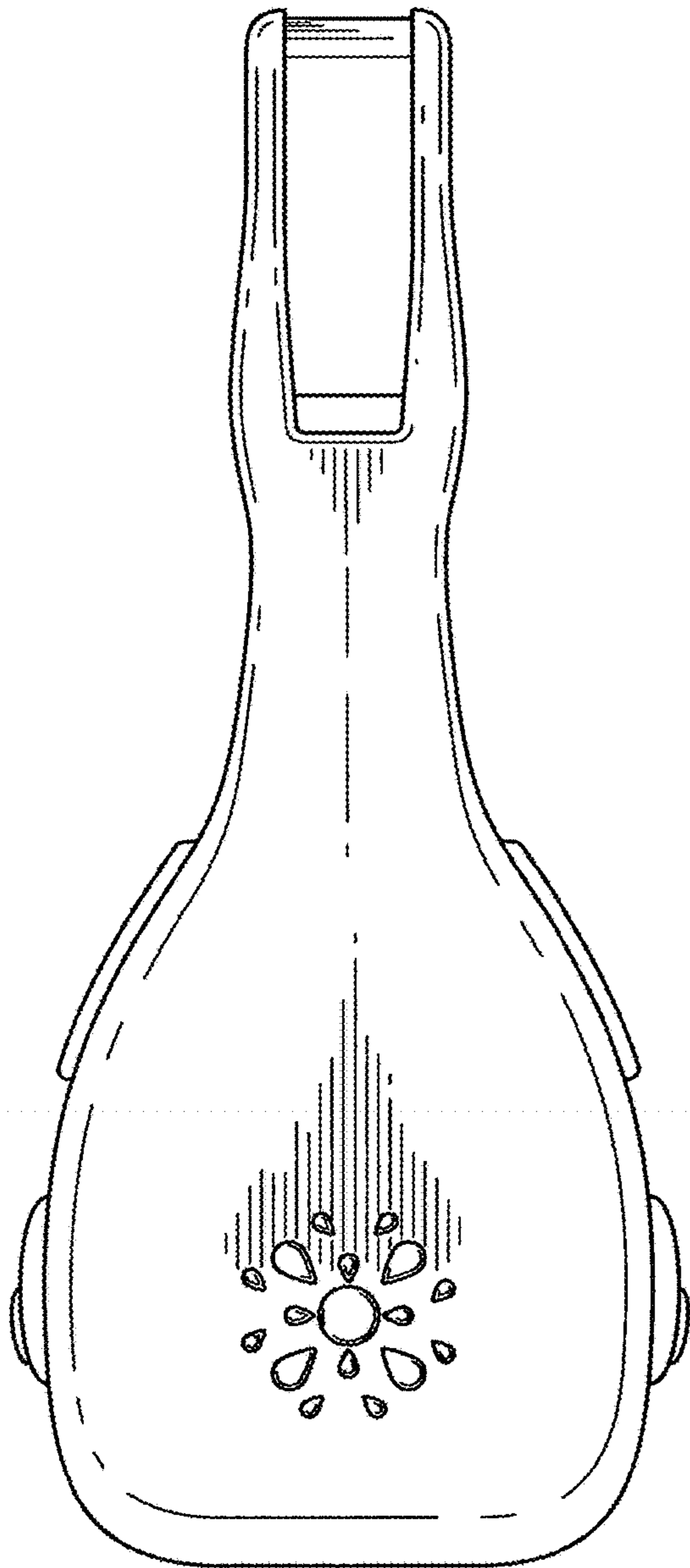


FIG. 2

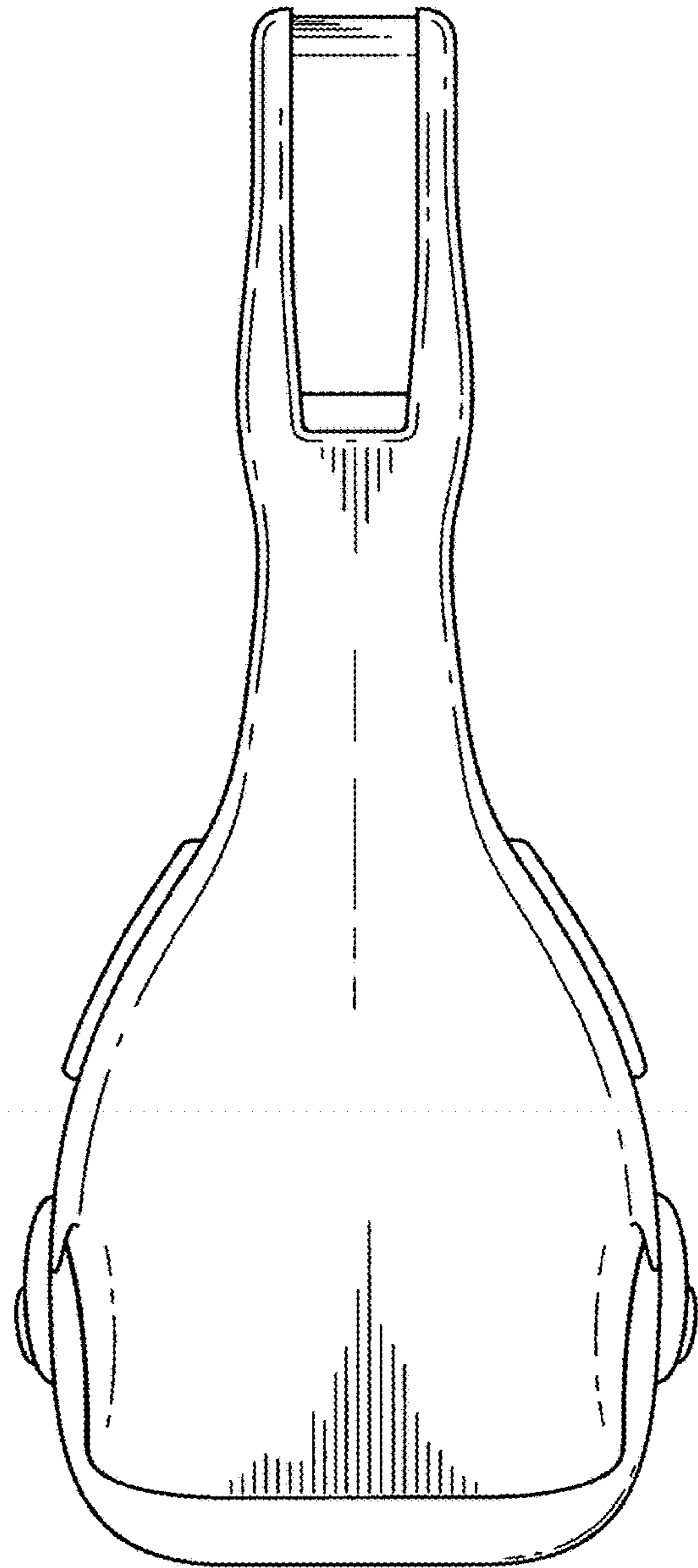


FIG. 3

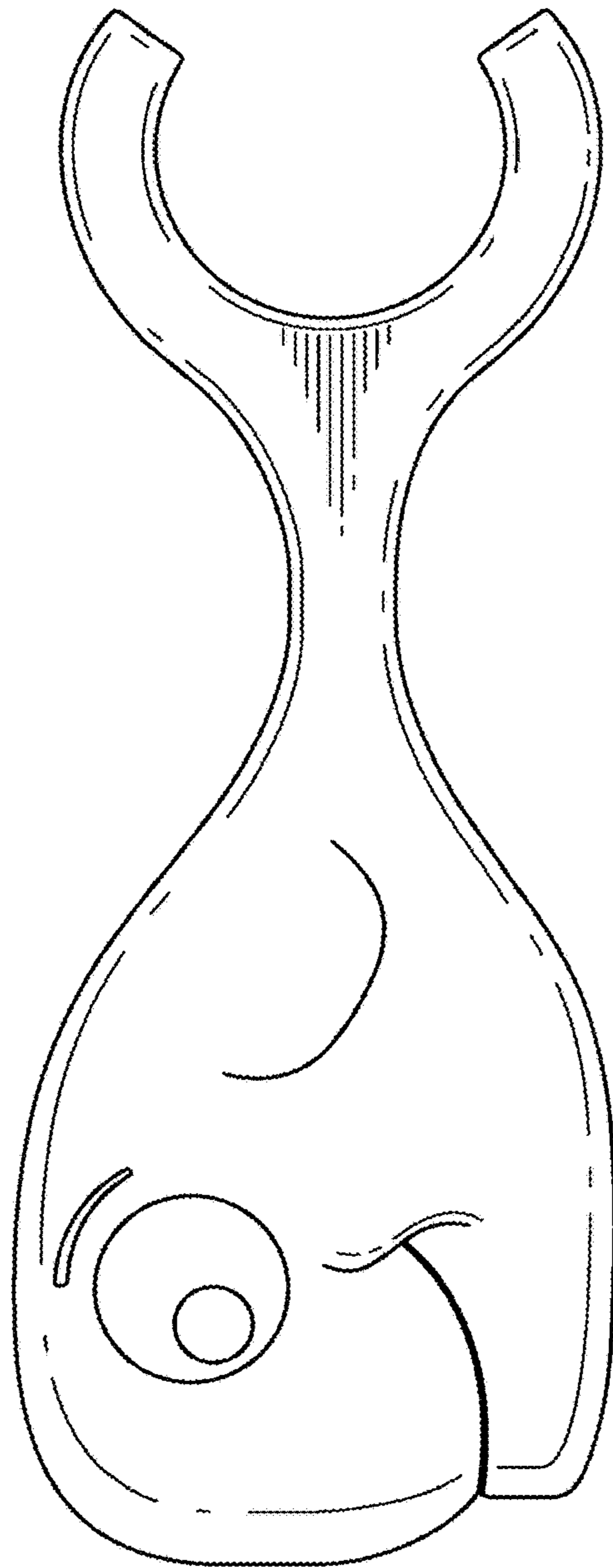


FIG. 4

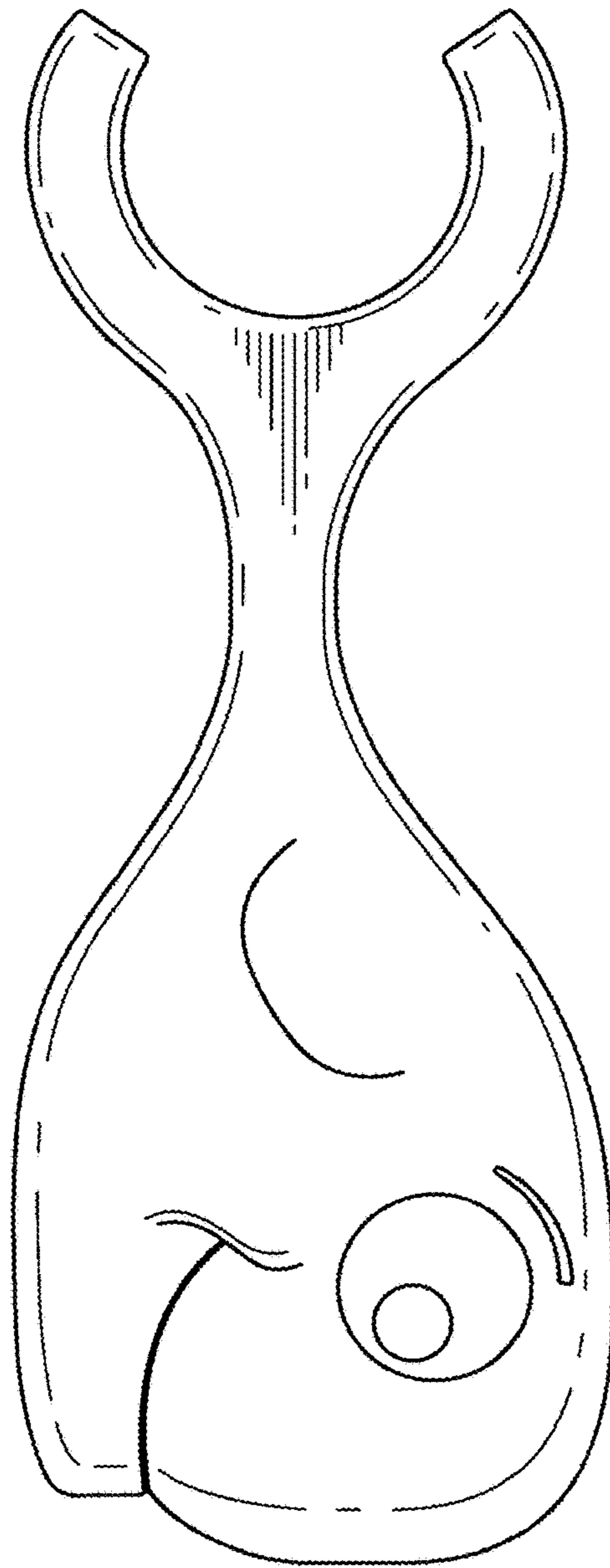


FIG. 5

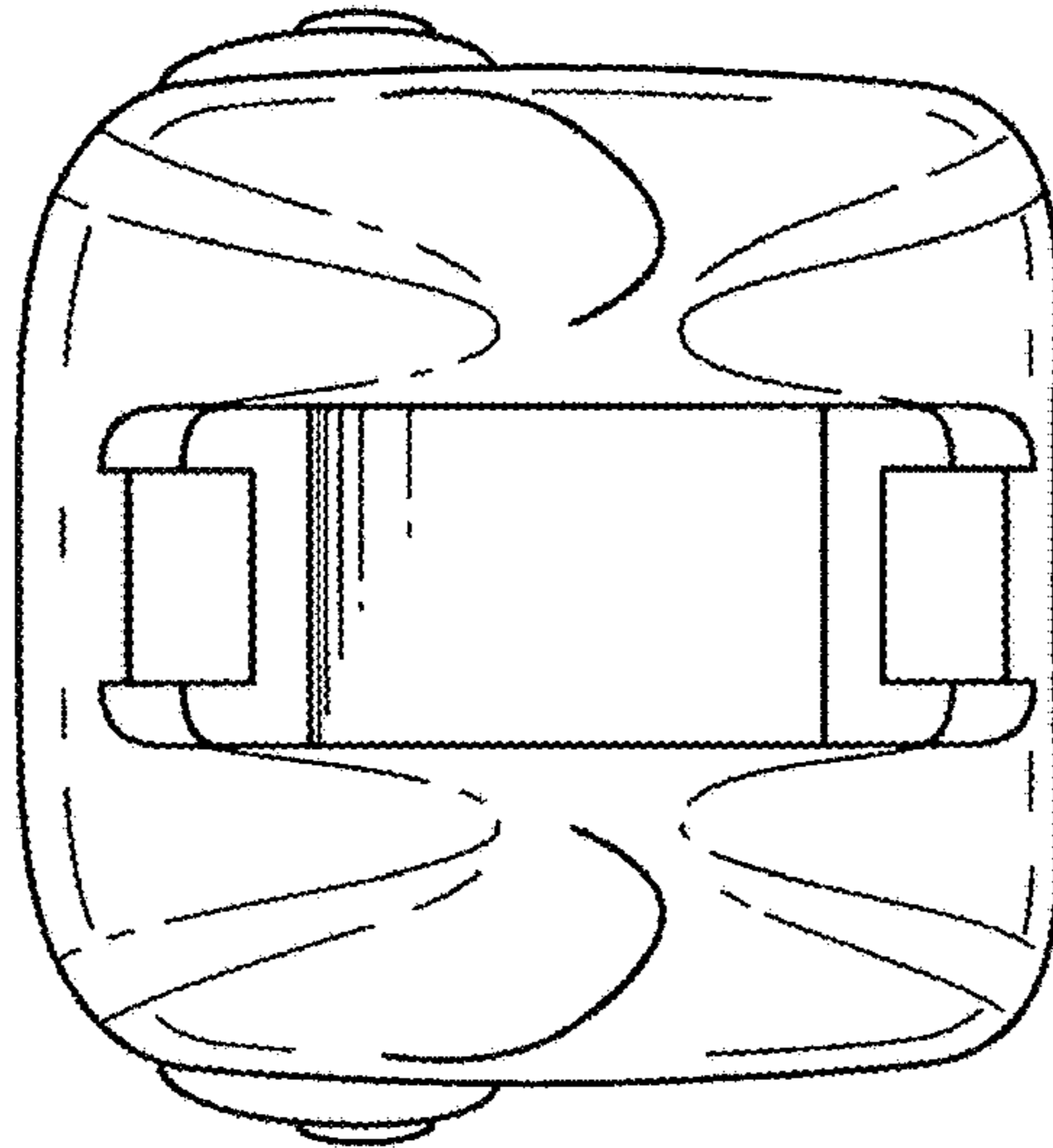


FIG. 6

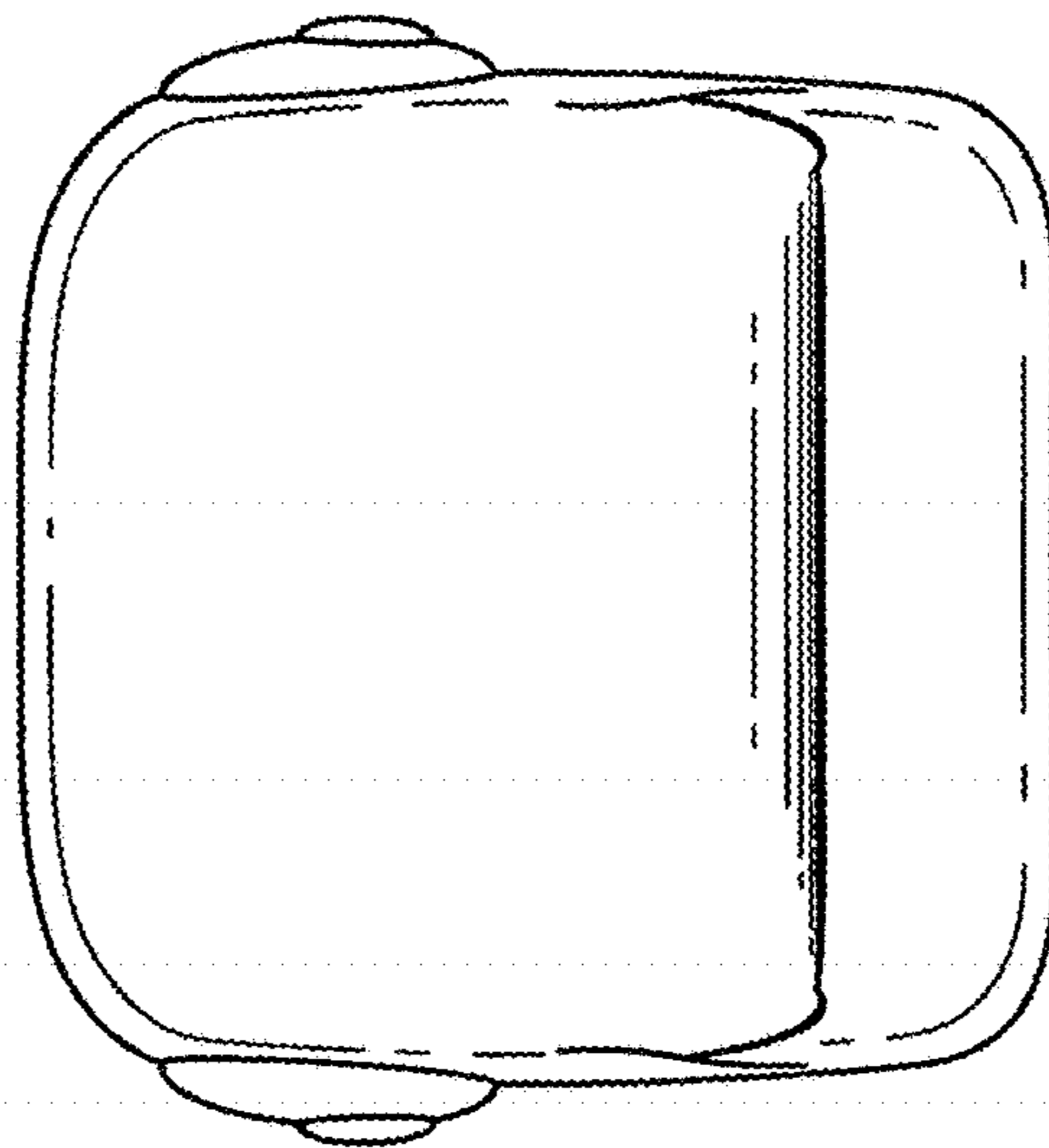


FIG. 7