



US00D842085S

(12) **United States Design Patent**
Emanuel

(10) **Patent No.:** **US D842,085 S**
(45) **Date of Patent:** **** Mar. 5, 2019**

- (54) **ADAPTER**
- (71) Applicant: **Trumbull Manufacturing, Inc.**,
Youngstown, OH (US)
- (72) Inventor: **Blake Emanuel**, Youngstown, OH (US)
- (73) Assignee: **Trumbull Manufacturing, Inc.**,
Youngstown, OH (US)
- (**) Term: **15 Years**
- (21) Appl. No.: **29/626,012**
- (22) Filed: **Nov. 14, 2017**
- (51) **LOC (11) Cl.** **08-08**
- (52) **U.S. Cl.**
USPC **D8/382**
- (58) **Field of Classification Search**
USPC D8/349, 354, 382, 395; D23/262, 265;
D10/99, 100, 103
CPC G01R 11/04; G01R 22/10; G01D 4/008;
G01D 4/004; G01D 4/006; G01D 11/30;
G01D 11/305; Y04S 20/50; Y02B 90/247;
F22B 37/78; G01F 15/18
See application file for complete search history.

(56) **References Cited**

U.S. PATENT DOCUMENTS

D239,593 S *	4/1976	Douma	D8/354
D340,183 S *	10/1993	Rumpel	D8/349
5,775,942 A *	7/1998	Jeffcoat	G01R 1/0416
				361/668
6,100,816 A *	8/2000	Moore	G01D 4/004
				340/870.02
6,186,456 B1 *	2/2001	Marsh	A47B 96/022
				108/108
D482,601 S *	11/2003	Chen	D8/380
6,793,542 B1 *	9/2004	White	G01R 11/04
				439/822
D523,327 S *	6/2006	Clarke	D8/380

8,793,845 B2 *	8/2014	Benedetti	F16B 5/065
				24/292
D758,174 S *	6/2016	Lee	D8/382
2002/0166934 A1 *	11/2002	Marsh	A47B 57/48
				248/235
2004/0061623 A1 *	4/2004	Tootoonian Mashhad	
				G01D 4/004
				340/870.02
2009/0244818 A1 *	10/2009	Loy	G01R 11/24
				361/672
2011/0021067 A1 *	1/2011	Baca	G01R 11/04
				439/517
2012/0227518 A1 *	9/2012	Abdul-Hadi	G01D 4/008
				73/866.1
2013/0322800 A1 *	12/2013	Abgrall	F16C 41/00
				384/448
2015/0255940 A1 *	9/2015	Seals	H01R 31/065
				439/620.26

* cited by examiner

Primary Examiner — Sandra S Snapp
Assistant Examiner — Ieisha N Price
(74) *Attorney, Agent, or Firm* — Tucker Ellis LLP

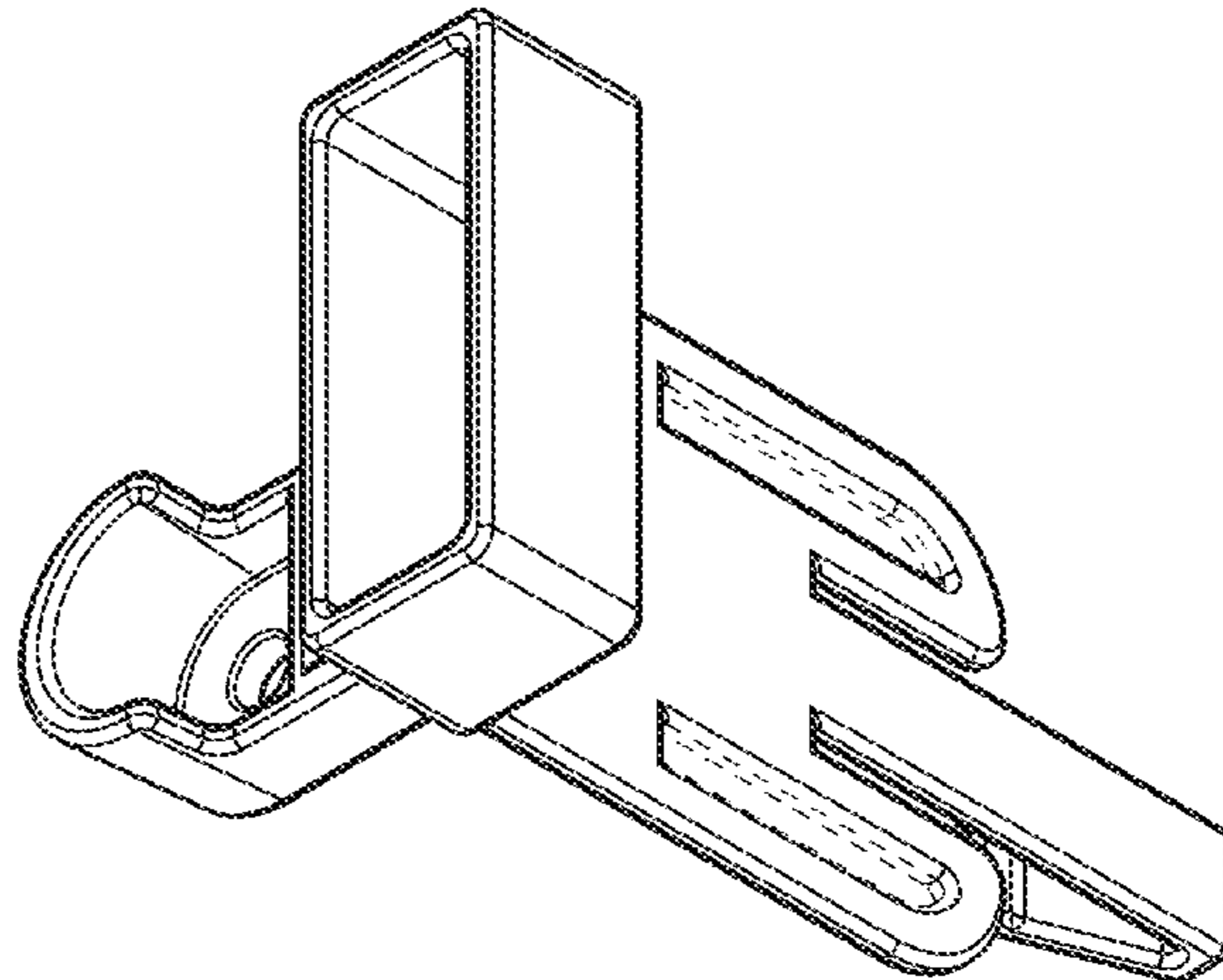
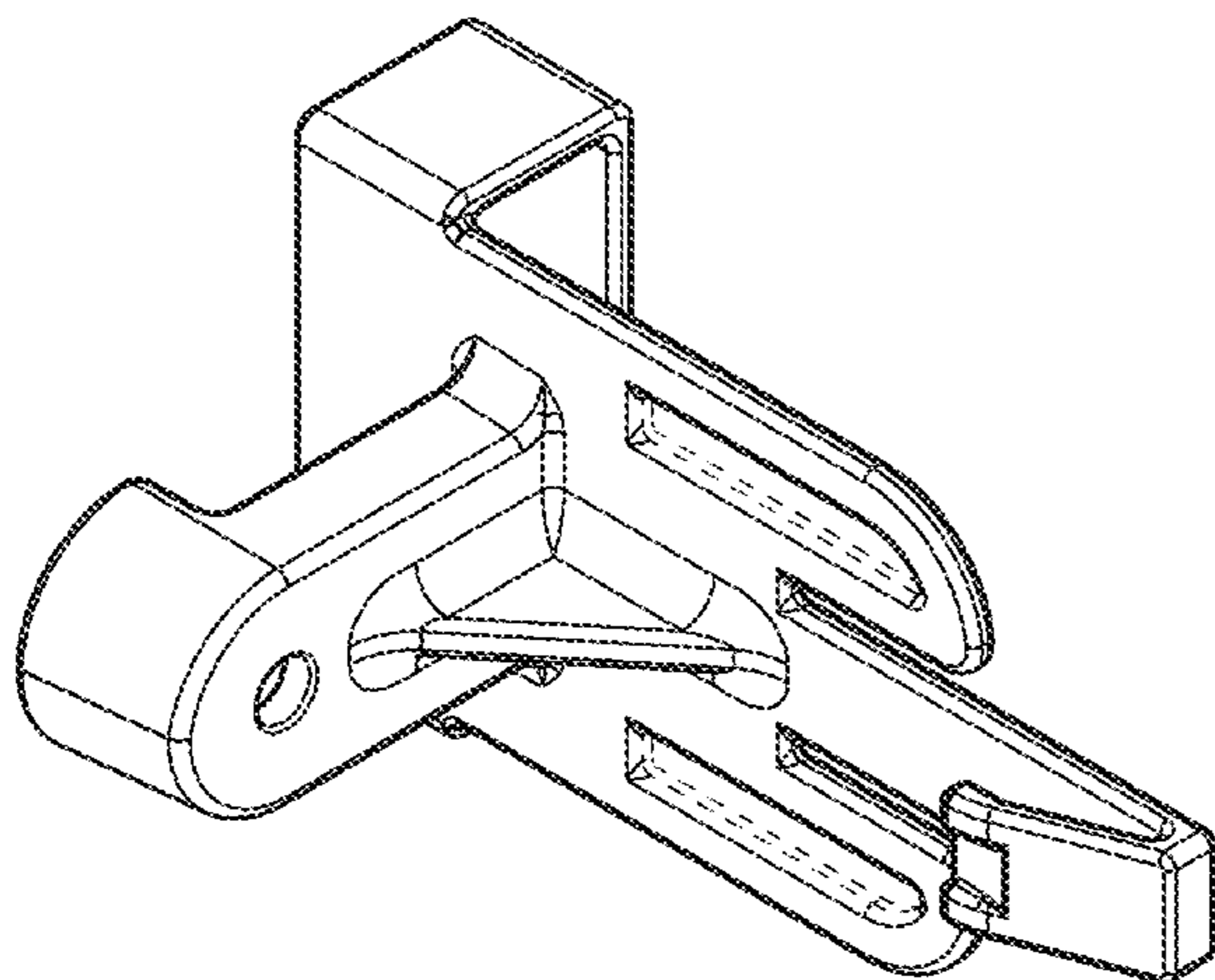
(57) **CLAIM**

The ornamental design for an adapter, as shown and described.

DESCRIPTION

FIG. 1 is a front perspective view of an adapter showing our new design;
FIG. 2 is a rear perspective view thereof;
FIG. 3 is a front view thereof;
FIG. 4 is a rear view thereof;
FIG. 5 is a top view thereof;
FIG. 6 is a bottom view thereof;
FIG. 7 is a left side view thereof; and,
FIG. 8 is a right side view thereof.
The broken lines in the drawings illustrate portions of the adapter and form no part of the claimed design.

1 Claim, 4 Drawing Sheets



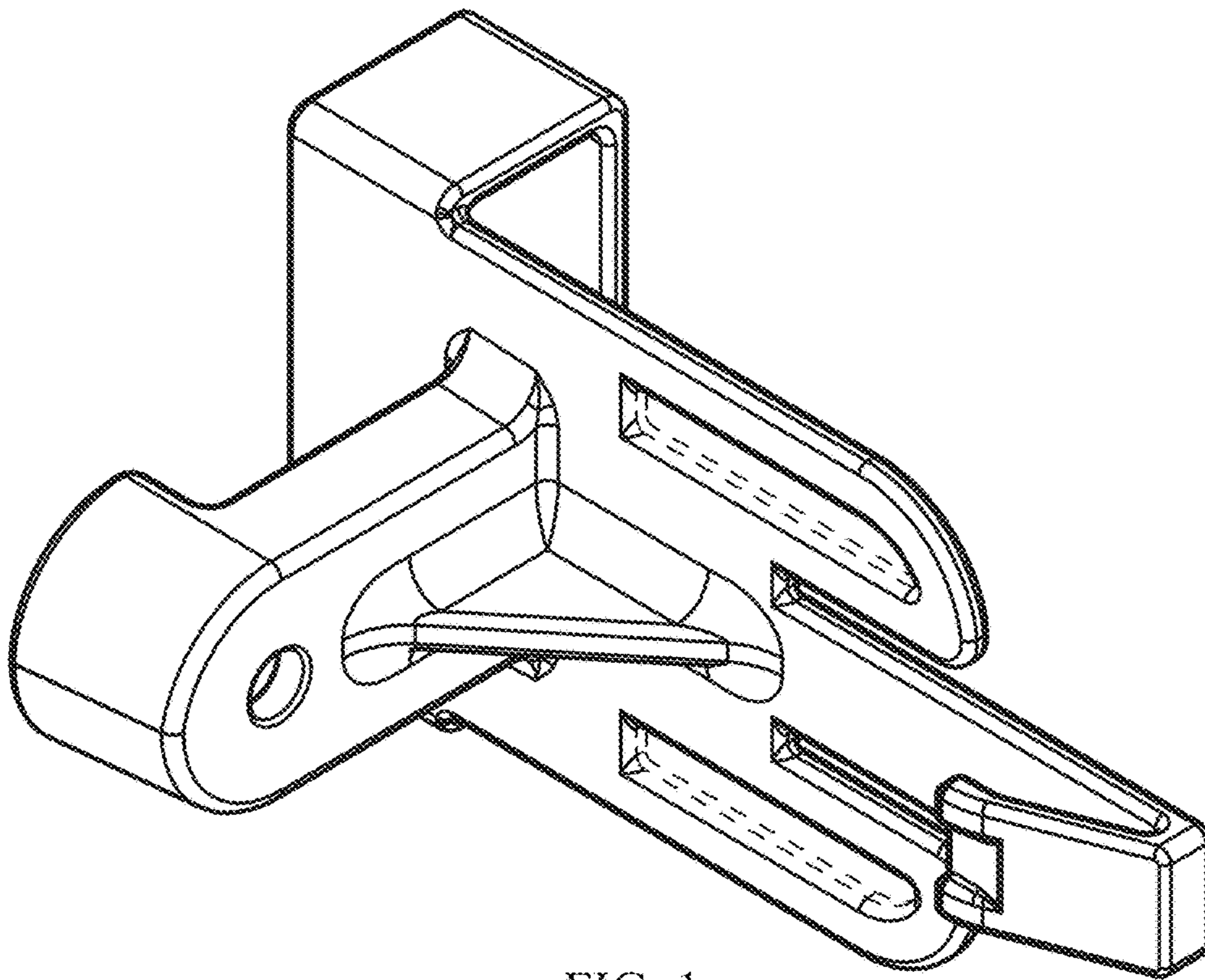


FIG. 1

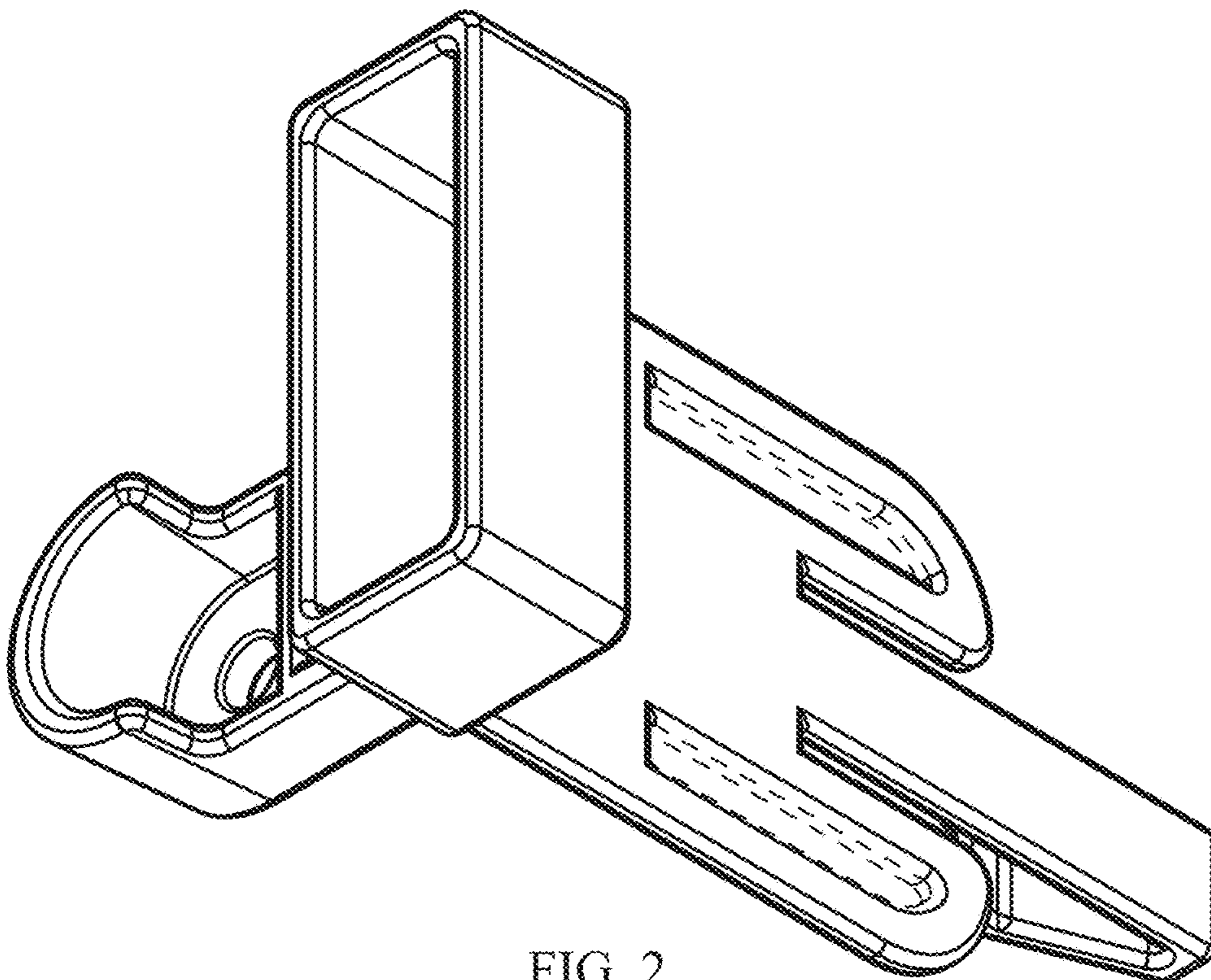


FIG. 2

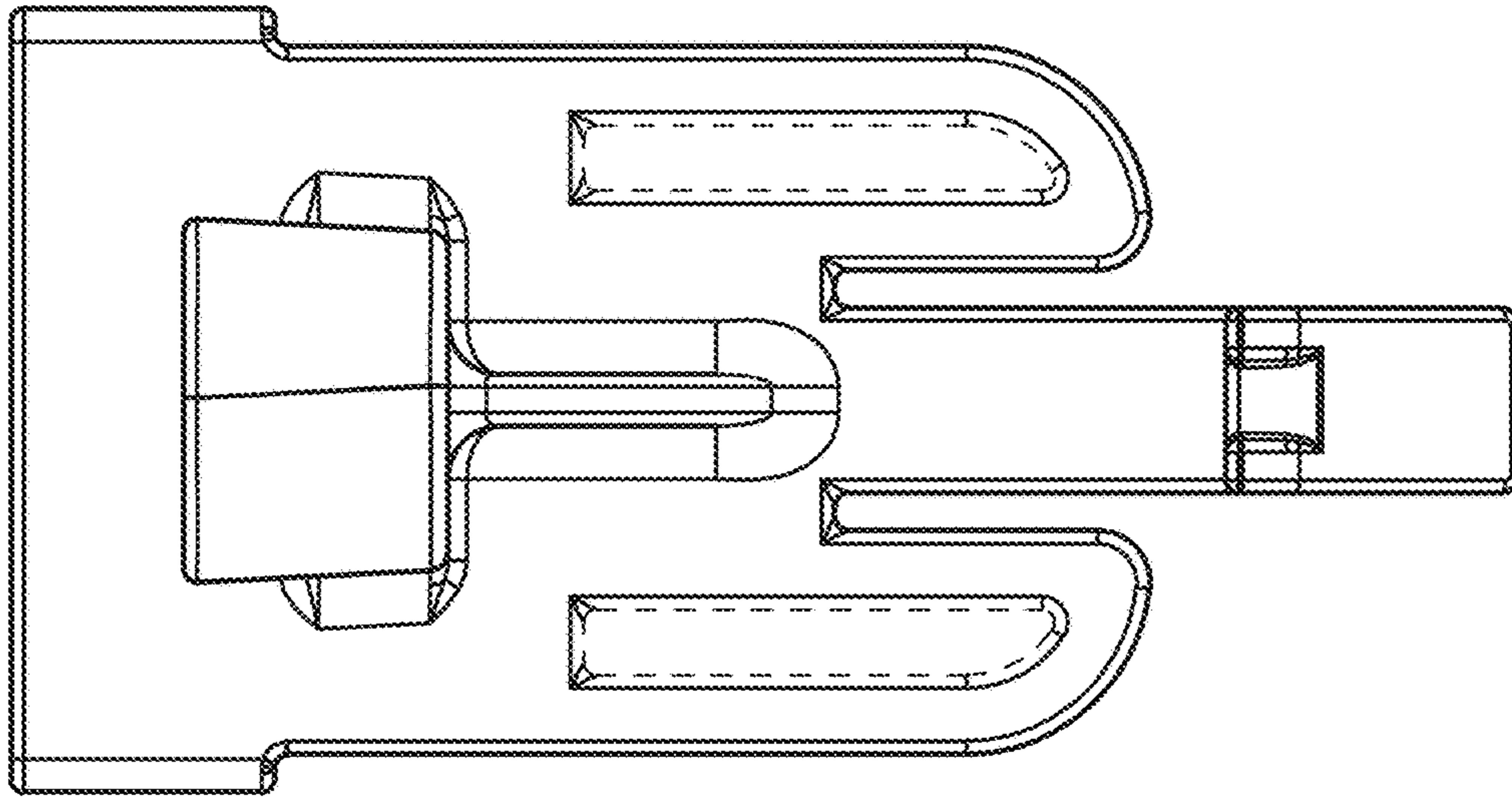


FIG. 3

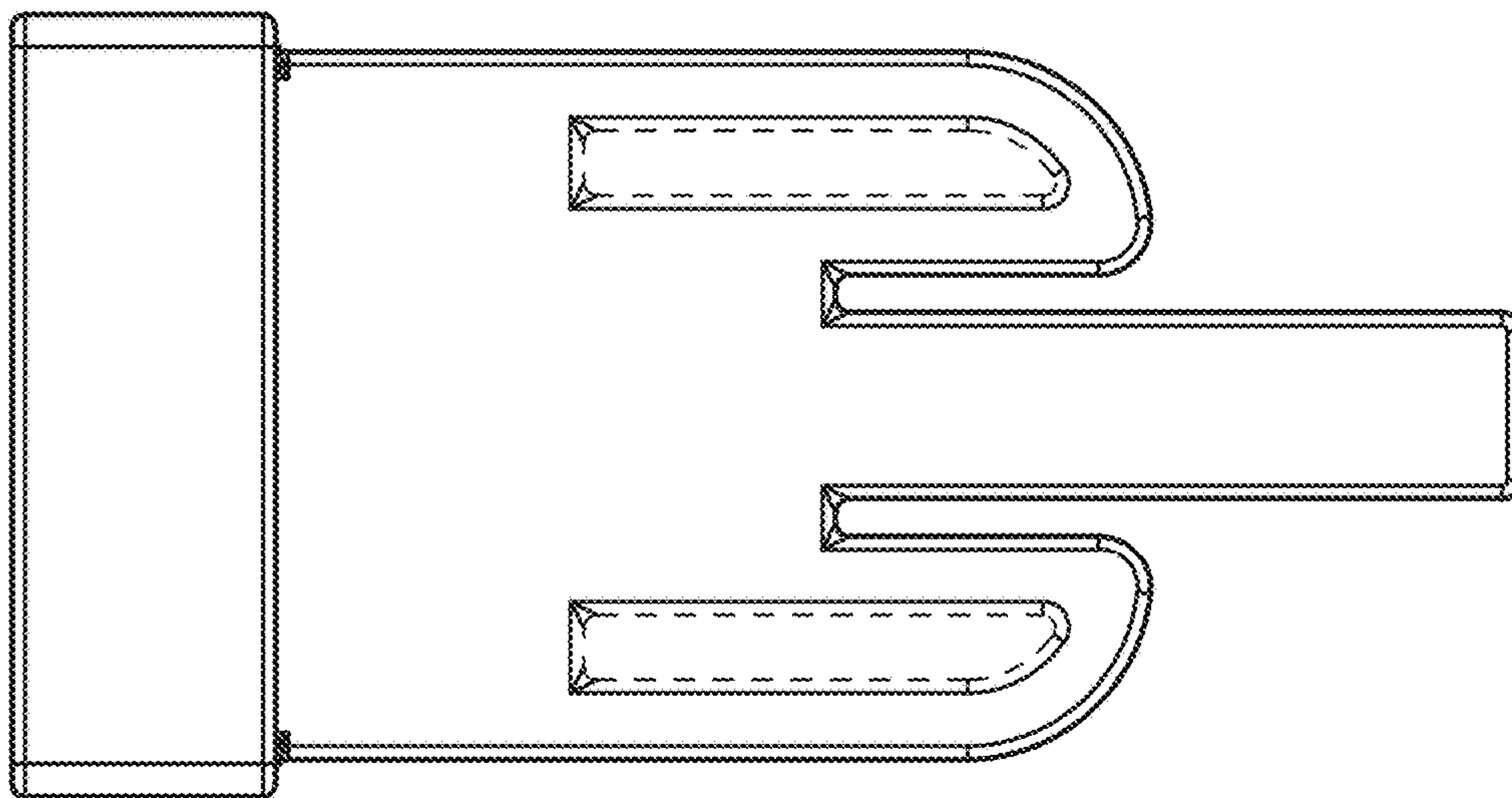
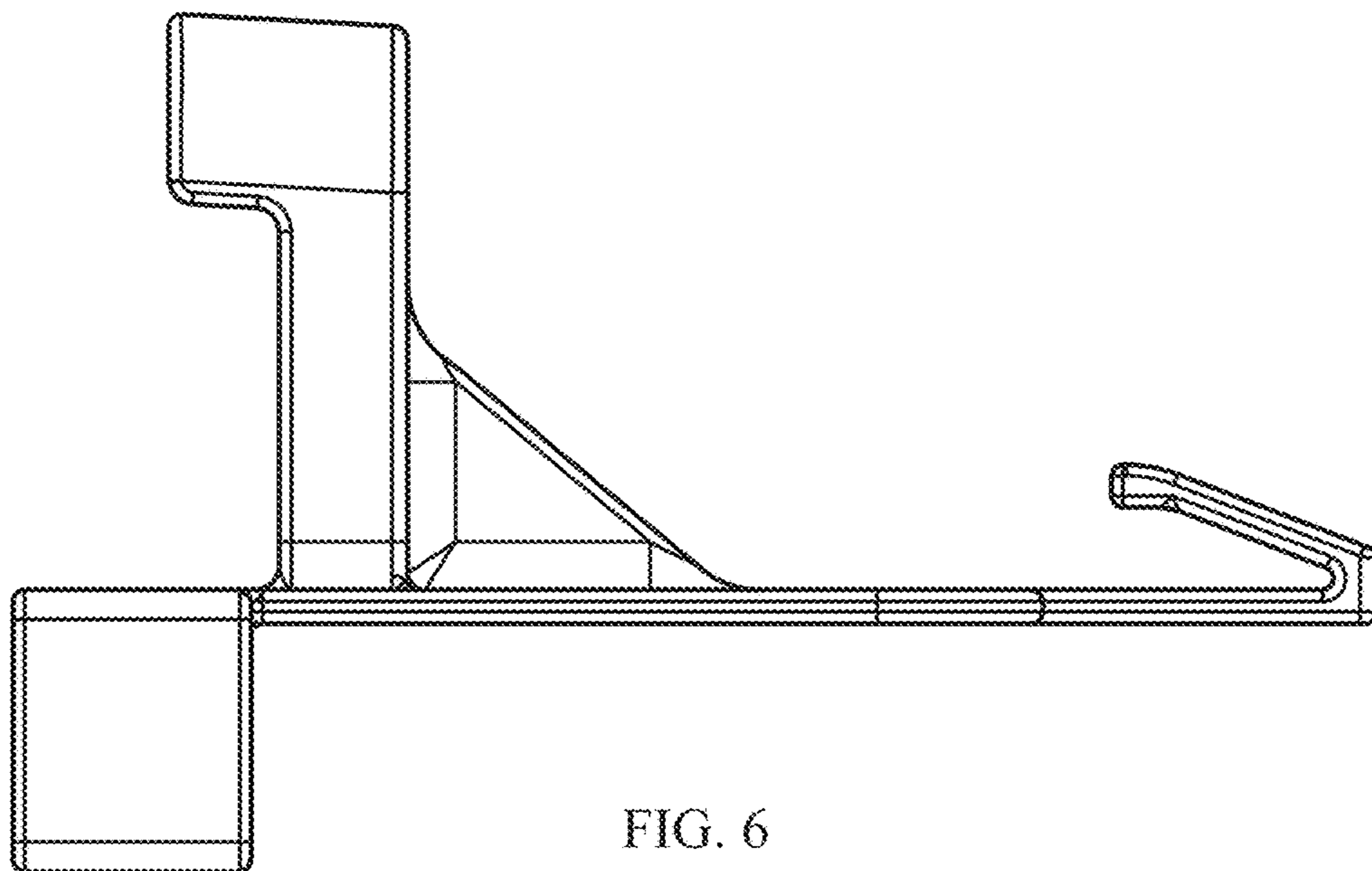
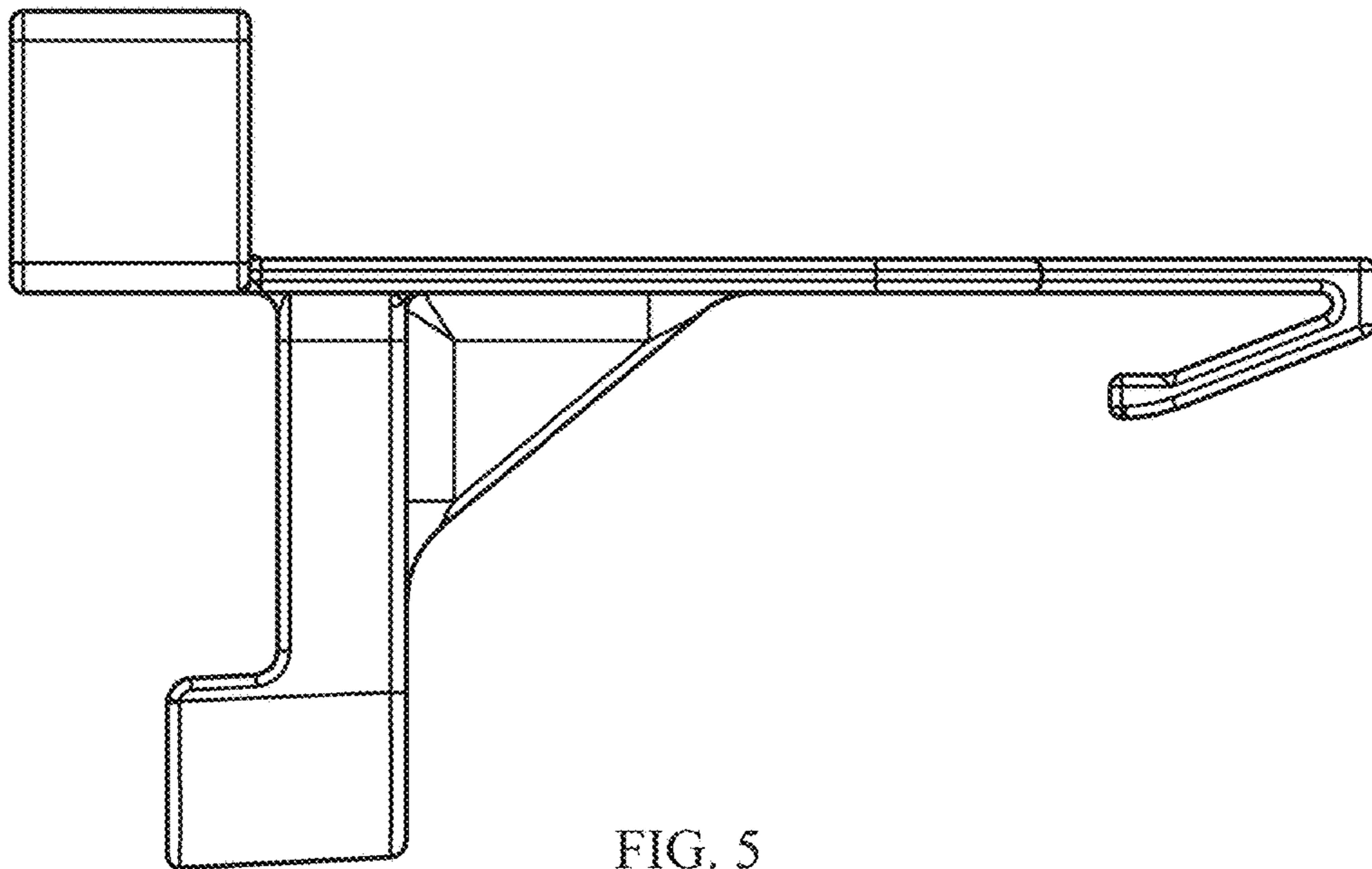


FIG. 4



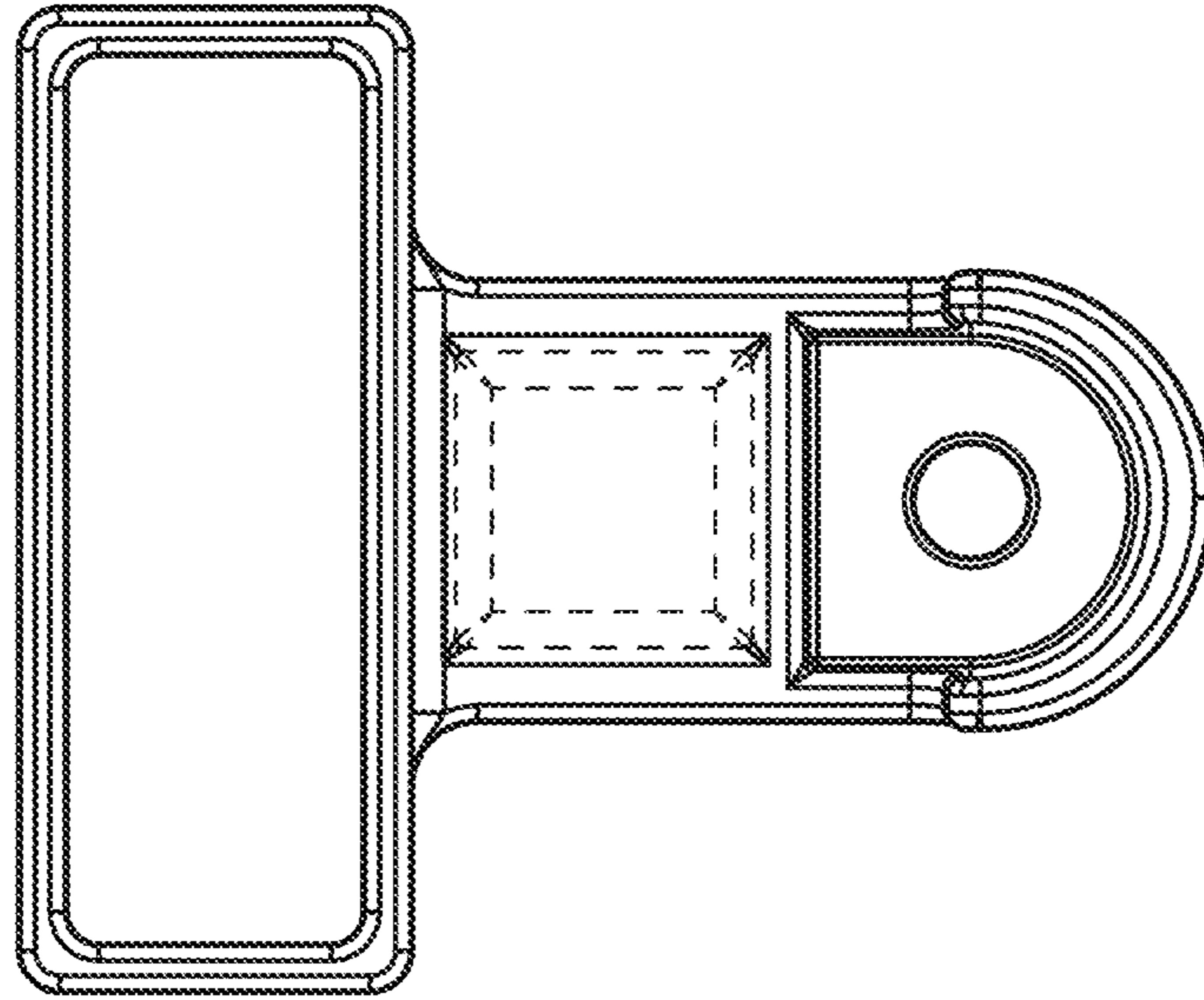


FIG. 7

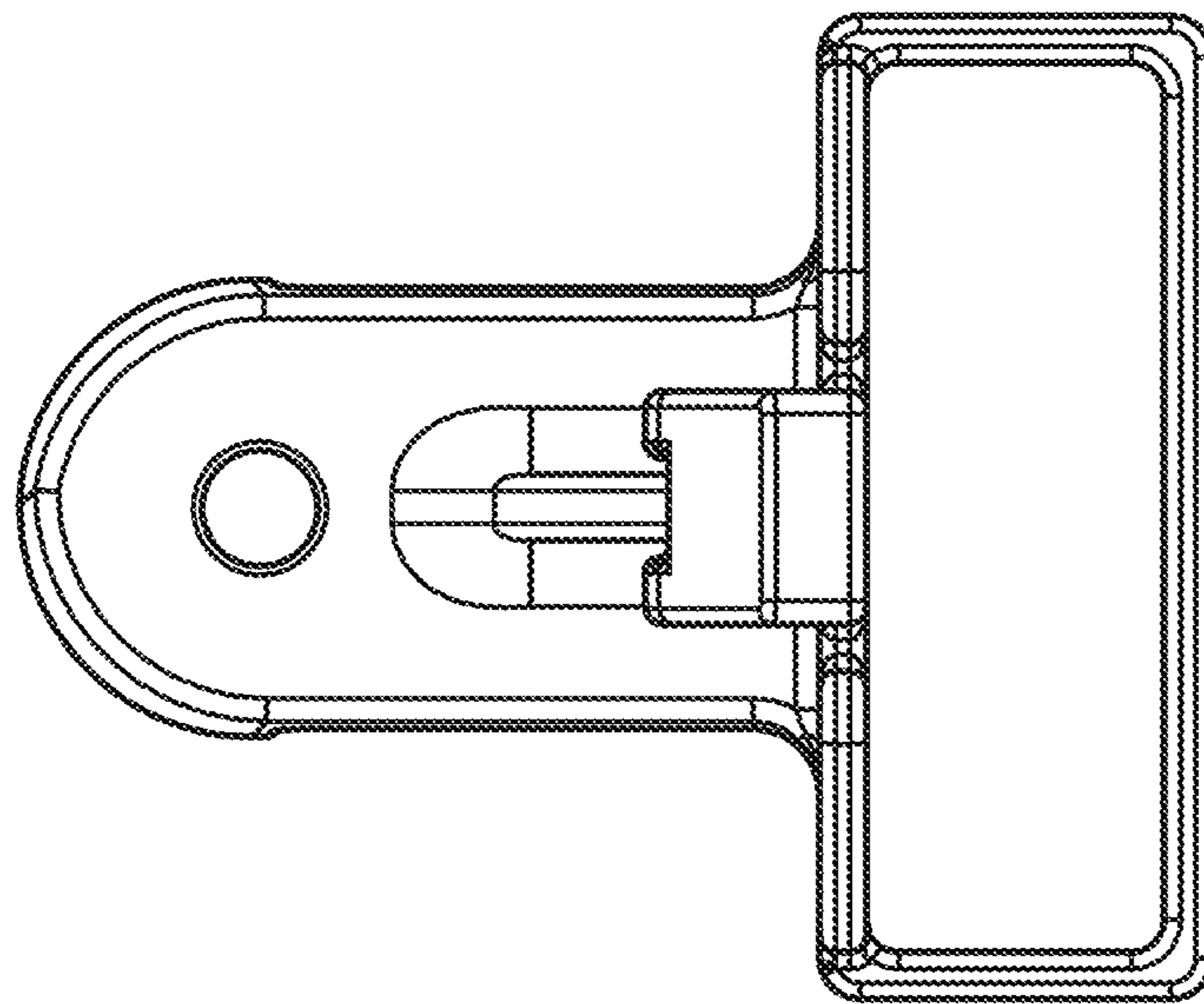


FIG. 8