



US00D842084S

(12) **United States Design Patent**  
**Rosebrugh**

(10) **Patent No.:** **US D842,084 S**  
(45) **Date of Patent:** **\*\* Mar. 5, 2019**

(54) **FASTENER**

(71) Applicant: **Robert Rosebrugh**, Oxnard, CA (US)

(72) Inventor: **Robert Rosebrugh**, Oxnard, CA (US)

(\*\*) Term: **15 Years**

(21) Appl. No.: **29/606,258**

(22) Filed: **Jun. 2, 2017**

(51) **LOC (11) Cl.** ..... **08-08**

(52) **U.S. Cl.**  
USPC ..... **D8/382**

(58) **Field of Classification Search**  
USPC ..... D8/331, 333, 340, 343, 349, 382, 387,  
D8/388, 391, 393, 397, 399  
CPC ..... F16B 35/00; F16B 13/0875; F16B 13/00  
See application file for complete search history.

(56) **References Cited**

U.S. PATENT DOCUMENTS

D185,171 S *	5/1959	Price	.....	D8/385
D231,900 S *	6/1974	Hewson	.....	D8/373
D284,449 S *	7/1986	Lindell	.....	D8/385
D320,082 S *	9/1991	Wyatt	.....	D24/129
D357,176 S *	4/1995	Ernest	.....	D8/387
D429,627 S *	8/2000	Gradwell	.....	D23/262
D436,077 S *	1/2001	Cheng	.....	D13/133
D455,636 S *	4/2002	Gilbert	.....	D8/331
D459,301 S *	6/2002	Fan Wong	.....	D13/133
D479,741 S *	9/2003	Chiu	.....	D23/266
D484,781 S *	1/2004	Miller	.....	D8/382
D496,852 S *	10/2004	Gass	.....	D8/387
D548,041 S *	8/2007	Littrell	.....	D8/331
D548,564 S *	8/2007	Frantz	.....	D8/331
D548,580 S *	8/2007	Burger	.....	D8/387
D558,672 S *	1/2008	Easley	.....	D13/133
D558,673 S *	1/2008	Easley	.....	D13/133
7,318,677 B2 *	1/2008	Dye	.....	G02B 6/3821 385/53
D561,008 S *	2/2008	Jones	.....	D8/355
7,351,121 B2 *	4/2008	Xu	.....	H01R 13/2421 439/66

D580,069 S *	11/2008	Lee	.....	D24/114
D585,730 S *	2/2009	Fernandez	.....	D8/387
D604,600 S *	11/2009	Lesesky	.....	D8/387
D605,927 S *	12/2009	Wyers	.....	D8/331
D607,714 S *	1/2010	Zhang	.....	D8/382
D615,166 S *	5/2010	Patti	.....	D23/266
D649,121 S *	11/2011	Urban	.....	D13/151
D655,998 S *	3/2012	Malone	.....	D8/349
D656,392 S *	3/2012	McKenna	.....	D8/382
D661,975 S *	6/2012	Mahaffey	.....	D8/330
D726,631 S *	4/2015	Widgery	.....	D12/223
D744,072 S *	11/2015	Wildfang	.....	D23/266

(Continued)

OTHER PUBLICATIONS

Twister fastener website, design exploration section, Aug. 2, 2017, <http://www.twisterfastener.com/> (Year: 2017).\*

*Primary Examiner* — David G Muller

*Assistant Examiner* — Nathan M Johnston

(74) *Attorney, Agent, or Firm* — Eric Karich; Karich & Associates

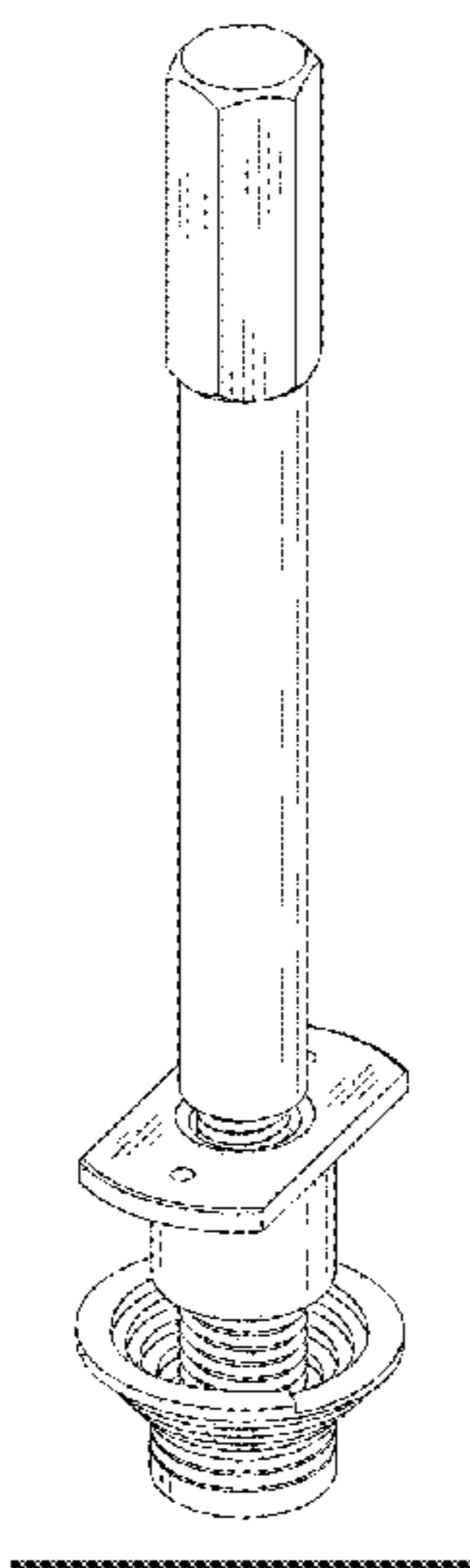
(57) **CLAIM**

The ornamental design for a fastener, as shown and described.

**DESCRIPTION**

FIG. 1 is a perspective view of a fastener, showing my new design;  
FIG. 2 is a front elevational view thereof;  
FIG. 3 is a rear elevational view thereof;  
FIG. 4 is a left side elevational view thereof  
FIG. 5 is a right side elevational view thereof;  
FIG. 6 is a top plan view thereof; and,  
FIG. 7 is a bottom plan view thereof.  
The broken lines show portions of the design that form no part of the claimed design.

**1 Claim, 2 Drawing Sheets**



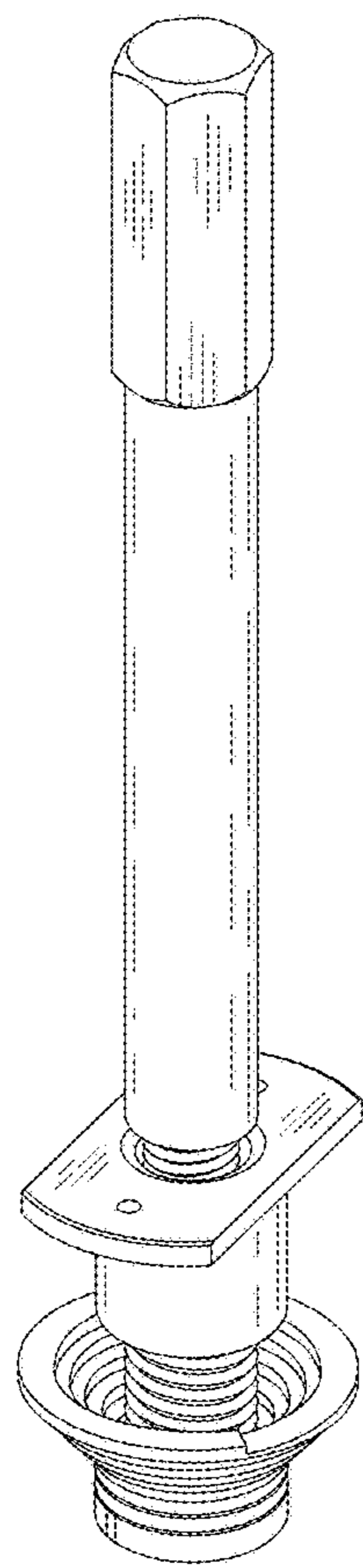
(56)

**References Cited**

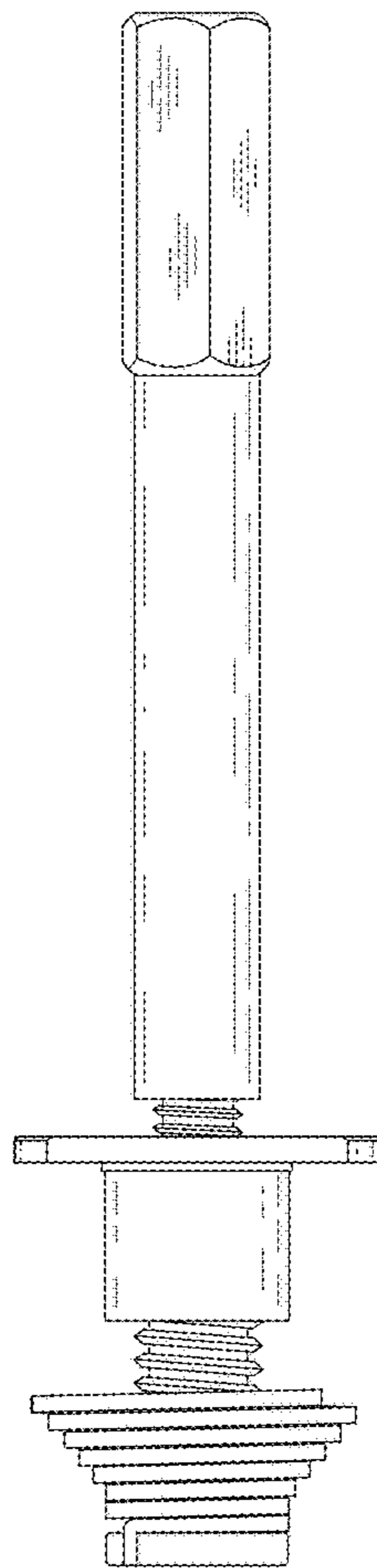
U.S. PATENT DOCUMENTS

D745,364 S \* 12/2015 Chen ..... D8/330  
D776,513 S \* 1/2017 Mateko ..... D8/331  
9,714,674 B1 \* 7/2017 Rosebrugh ..... F16B 35/00  
2011/0129317 A1 \* 6/2011 Makino ..... F16B 19/1045  
411/439  
2013/0216764 A1 \* 8/2013 Pasini ..... B29C 43/36  
428/99  
2015/0300392 A1 \* 10/2015 Cabrit ..... A63B 29/024  
248/231.91  
2017/0250497 A1 \* 8/2017 Antonini ..... H01R 9/05

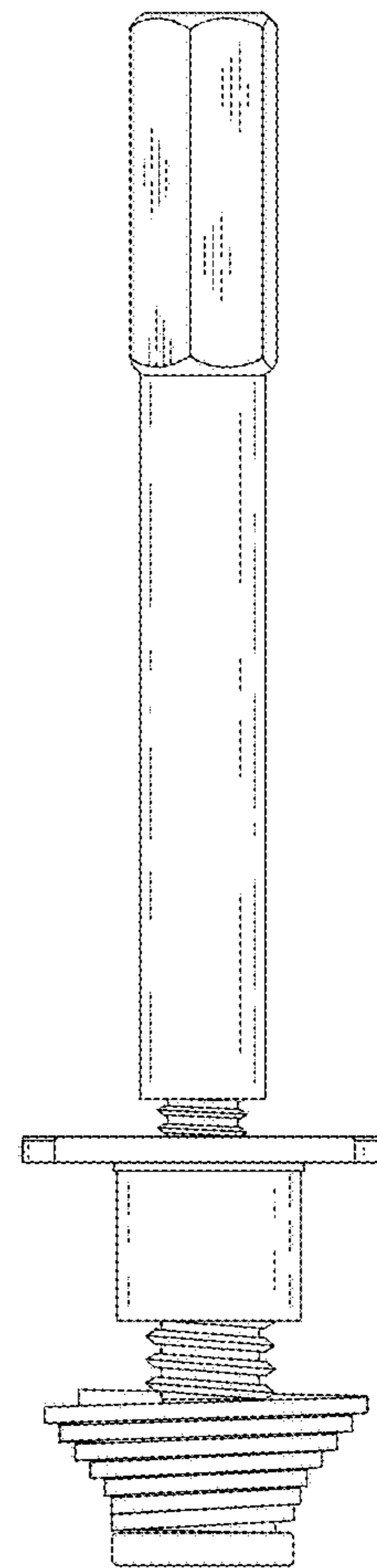
\* cited by examiner



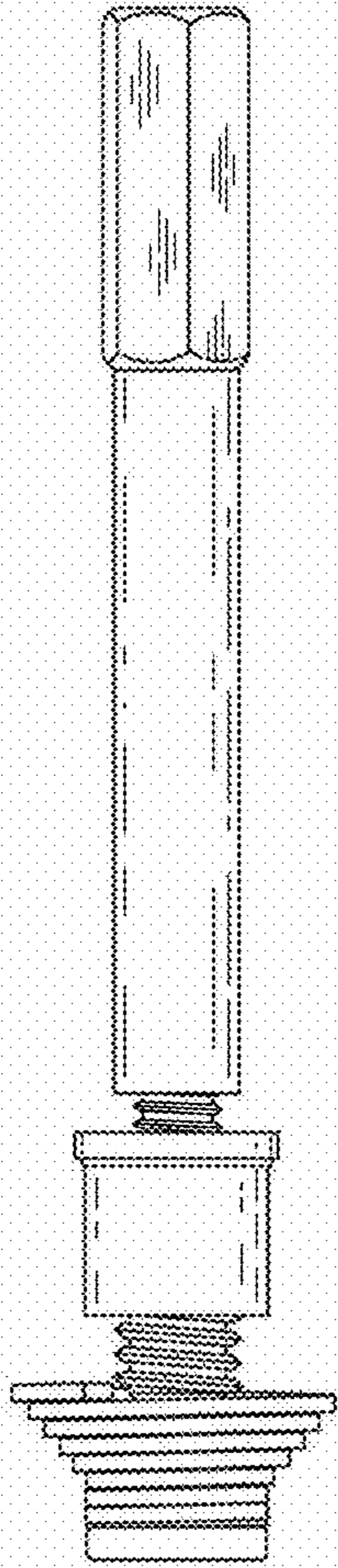
*Fig. 1*



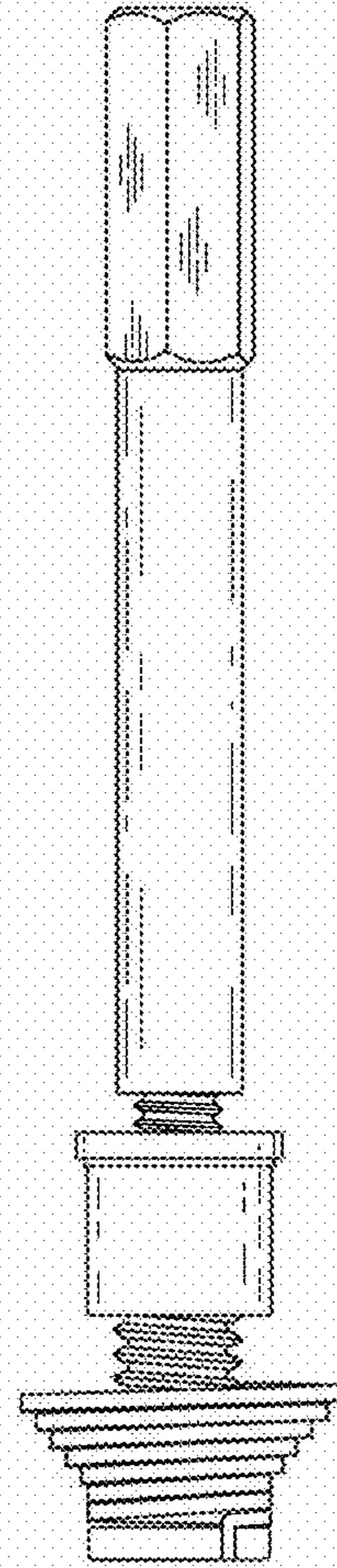
*Fig. 2*



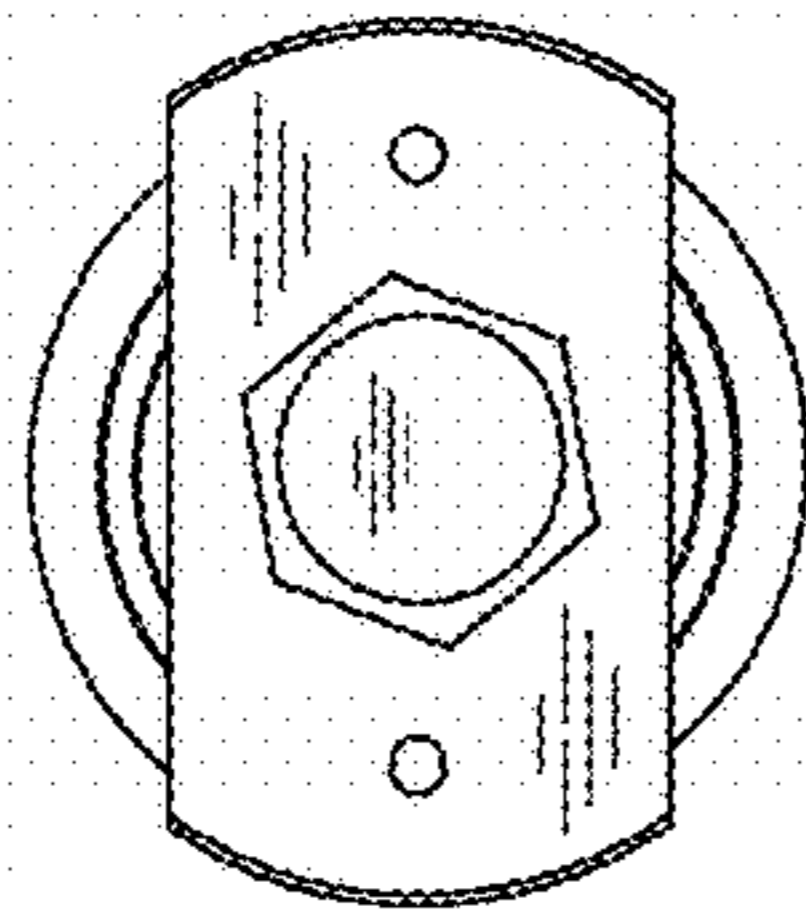
*Fig. 3*



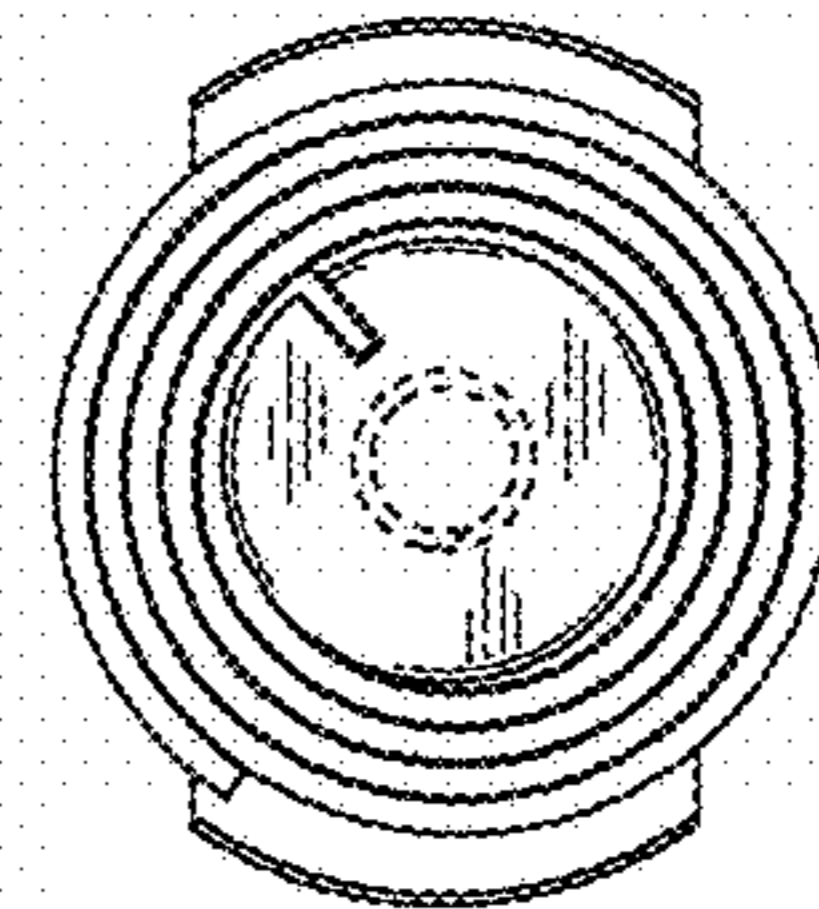
*Fig. 4*



*Fig. 5*



*Fig. 6*



*Fig. 7*