



US00D842082S

(12) **United States Design Patent** (10) **Patent No.:** **US D842,082 S**
Thompson et al. (45) **Date of Patent:** **** Mar. 5, 2019**

(54) **HOOK**
(71) Applicant: **3M INNOVATIVE PROPERTIES COMPANY**, St. Paul, MN (US)
(72) Inventors: **Craig D. Thompson**, Inver Grove Heights, MN (US); **Aaron P. Thompson**, Menomonie, WI (US)
(73) Assignee: **3M INNOVATIVE PROPERTIES COMPANY**, St. Paul, MN (US)
(**) Term: **15 Years**
(21) Appl. No.: **29/622,610**

D417,385 S * 12/1999 Bries et al. D8/367
6,325,342 B1 * 12/2001 Dignat 248/118
D480,292 S * 10/2003 Johansson et al. D8/367
D494,452 S * 8/2004 Sheldon et al. D8/367
D543,837 S * 6/2007 Newbould et al. D8/367
D554,481 S * 11/2007 Newbould et al. D8/367
D554,482 S * 11/2007 Hager et al. D8/367
D565,939 S * 4/2008 Newbould et al. D8/367
D572,121 S * 7/2008 Shiffler D8/367
D572,128 S * 7/2008 Poulsen D8/395
D579,322 S * 10/2008 Newbould et al. D8/367
D583,653 S * 12/2008 Thompson et al. D8/367
D584,939 S * 1/2009 Snell D8/367
D603,688 S * 11/2009 Chiu D8/367
D609,995 S * 2/2010 Hager et al. D8/367
7,833,620 B2 * 11/2010 Enserink et al. 428/321.1

(Continued)

(22) Filed: **Oct. 18, 2017**
(51) **LOC (11) Cl.** **08-05**
(52) **U.S. Cl.**
USPC **D8/367**
(58) **Field of Classification Search**
USPC D8/367, 354, 349, 373; D6/323;
248/301-304, 339
CPC A47G 1/00; A47G 25/00
See application file for complete search history.

FOREIGN PATENT DOCUMENTS

JP D1522640 4/2015
TW M317509 8/2007

Primary Examiner — Cynthia R Underwood

(74) *Attorney, Agent, or Firm* — Irina Hass

(57) **CLAIM**

The ornamental design for a hook, as shown and described.

(56) **References Cited**

DESCRIPTION

U.S. PATENT DOCUMENTS

1,886,882 A * 11/1932 Huber A41F 7/00
24/336
D264,426 S 5/1982 Einhorn
D289,139 S * 4/1987 Chasen D6/323
D289,255 S * 4/1987 Chasen D6/323
D307,539 S * 5/1990 Goodman D8/367
5,207,403 A * 5/1993 Penniman B08B 17/04
248/215
D339,058 S * 9/1993 Greenhut et al. D8/367
D345,497 S * 3/1994 Miller D8/367
D361,930 S * 9/1995 Fillipp D8/367
D390,014 S * 2/1998 Ho D6/323
D393,412 S * 4/1998 Bries D8/367

FIG. 1 is a perspective view showing the new design for a hook;

FIG. 2 is a bottom view thereof;

FIG. 3 is a top view thereof;

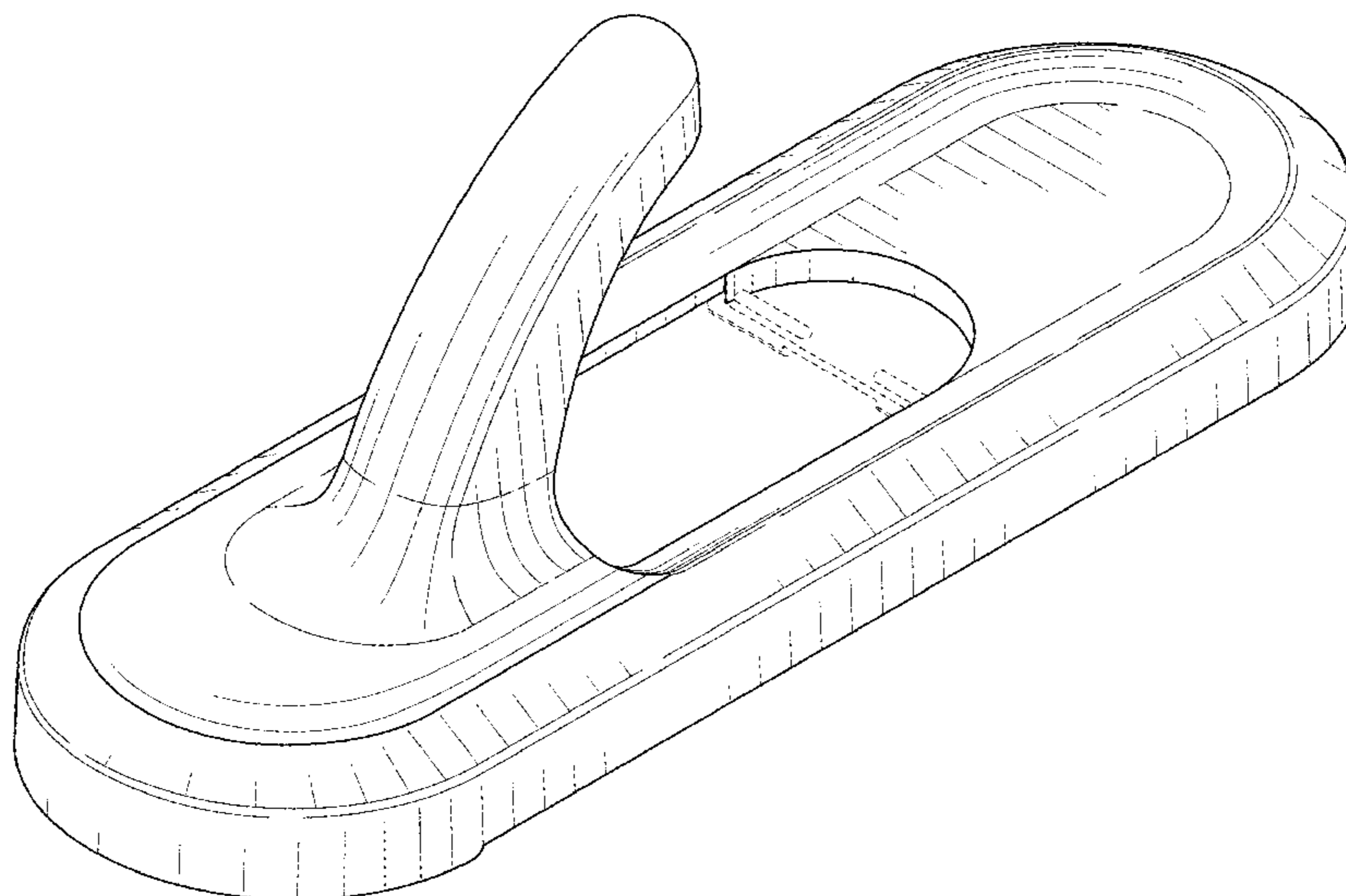
FIG. 4 is a left side view thereof, a right side view being a mirror image thereof;

FIG. 5 is a front view thereof; and,

FIG. 6 is a rear view thereof.

The portions of the hook in FIGS. 1, 3, 5-6 shown in broken lines are included to show features that form no part of the claimed design.

1 Claim, 4 Drawing Sheets



(56)

References Cited

U.S. PATENT DOCUMENTS

D632,951 S *	2/2011	McGreevy et al.	D8/367
D641,228 S *	7/2011	Qiblawi et al.	D8/367
D641,614 S *	7/2011	Pontaoe	D8/394
D665,653 S *	8/2012	Thompson et al.	D8/367
D667,293 S	9/2012	Thompson	
D672,223 S *	12/2012	Thompson	D8/356
D678,041 S *	3/2013	Pan et al.	D8/367
D680,804 S *	4/2013	Gilboe	D7/367
D682,663 S *	5/2013	Evon	D8/367
D697,388 S *	1/2014	Pan	D8/367
D697,389 S *	1/2014	Pan	D8/367
D707,111 S *	6/2014	Callif	D8/367
D714,622 S	10/2014	Pan	
D714,623 S	10/2014	Pan	
D769,700 S *	10/2016	Chinchon et al.	D8/367
D817,749 S *	5/2018	Ryu et al.	D8/367

* cited by examiner

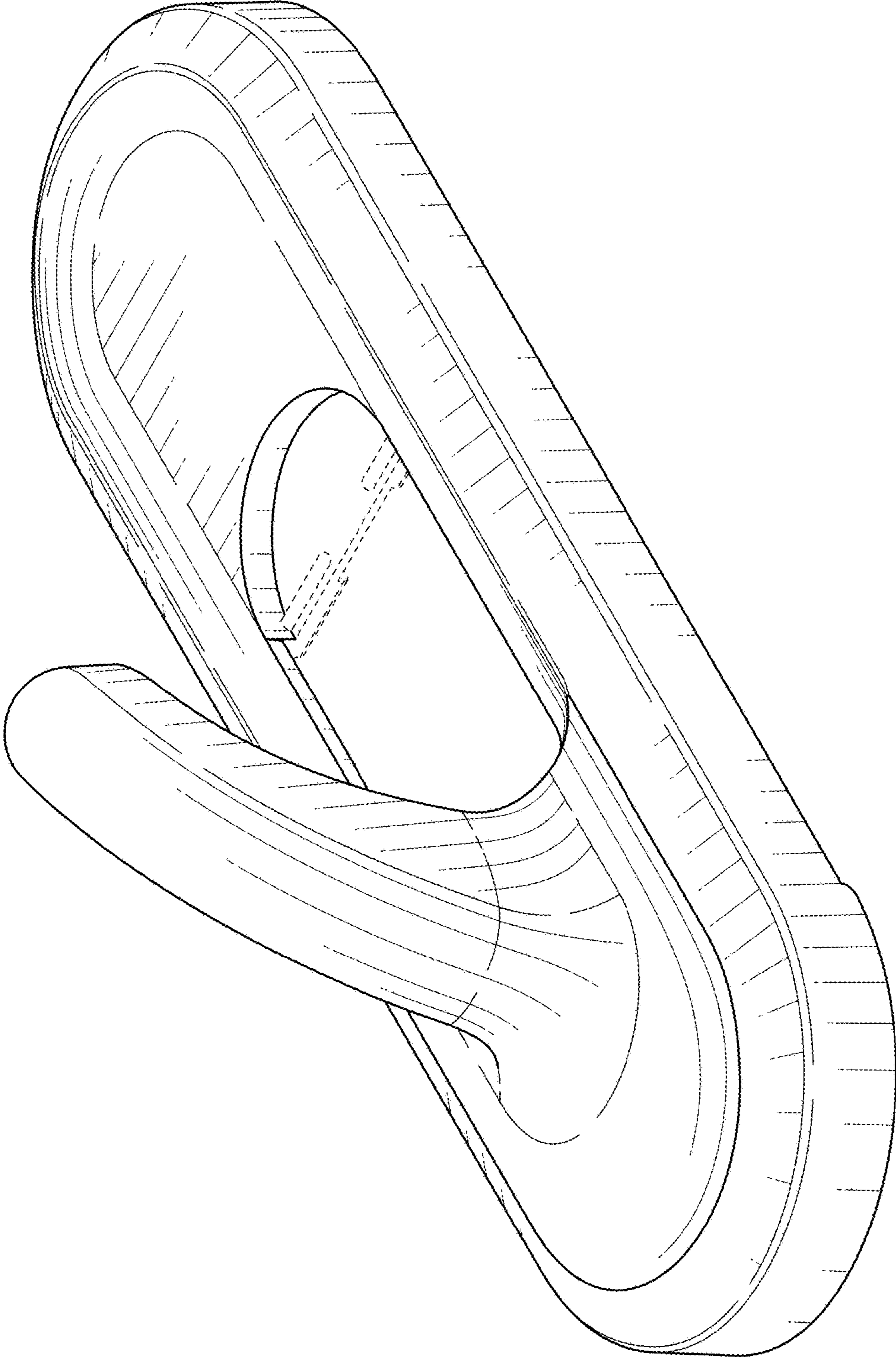


FIG. 1

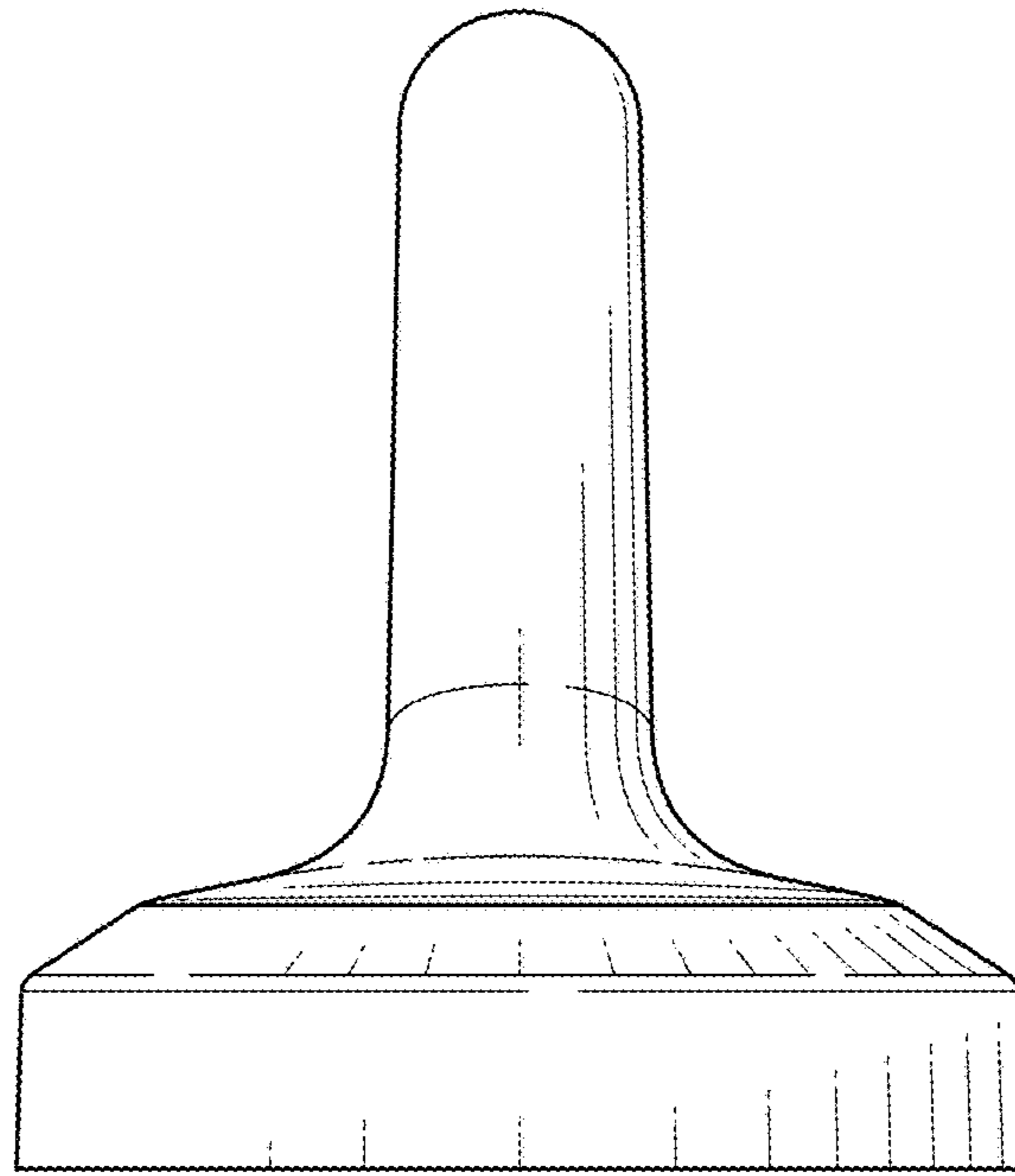


FIG. 2

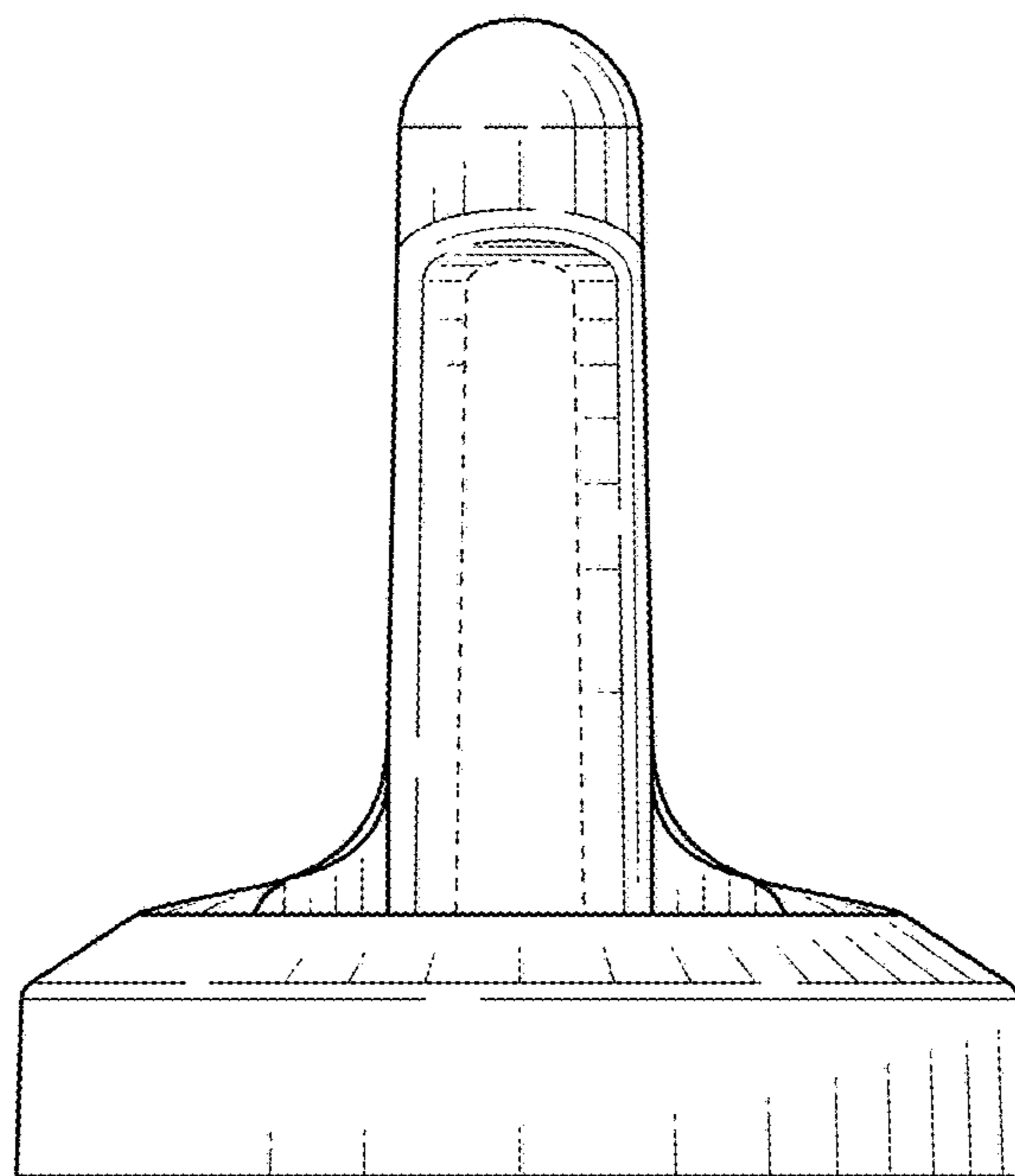


FIG. 3

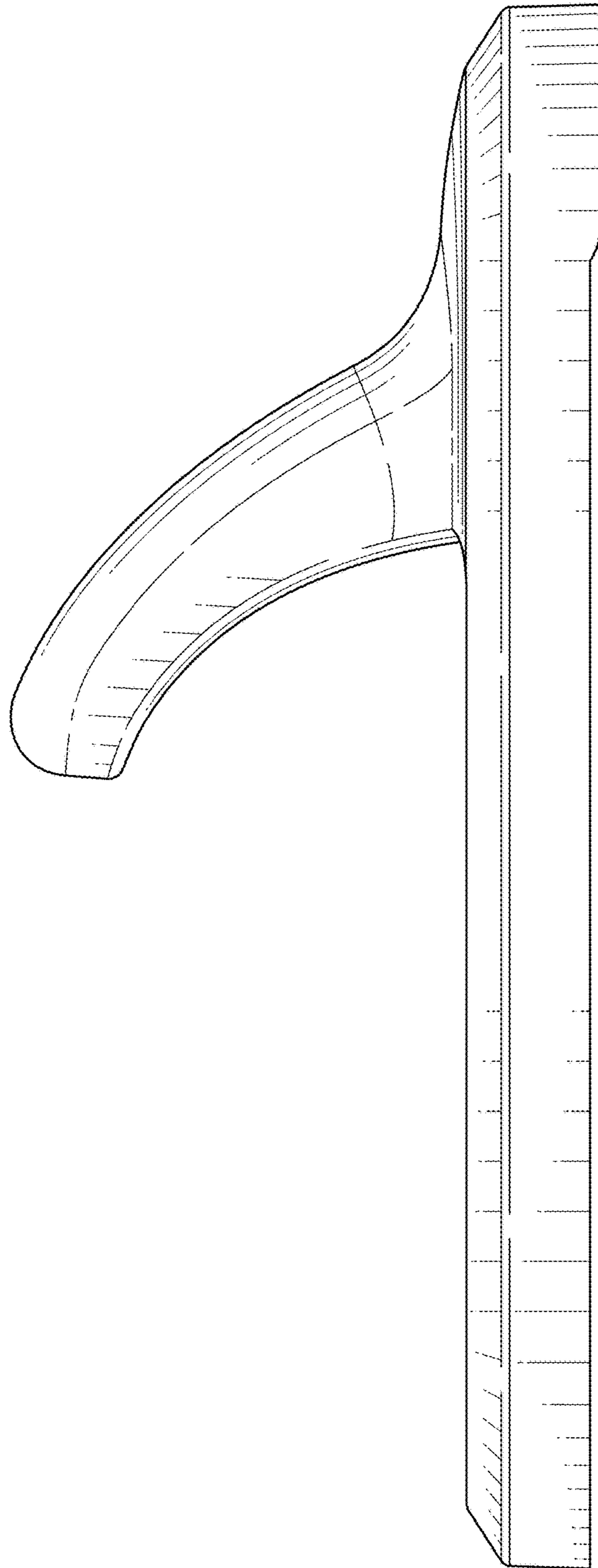


FIG. 4

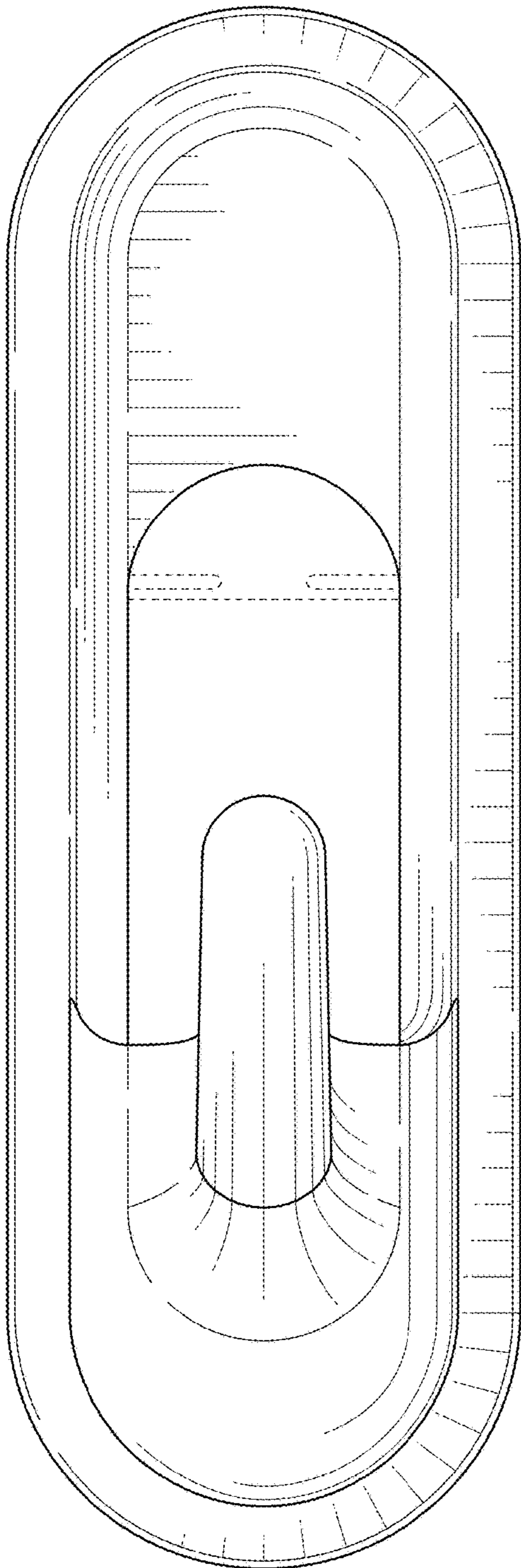


FIG. 5

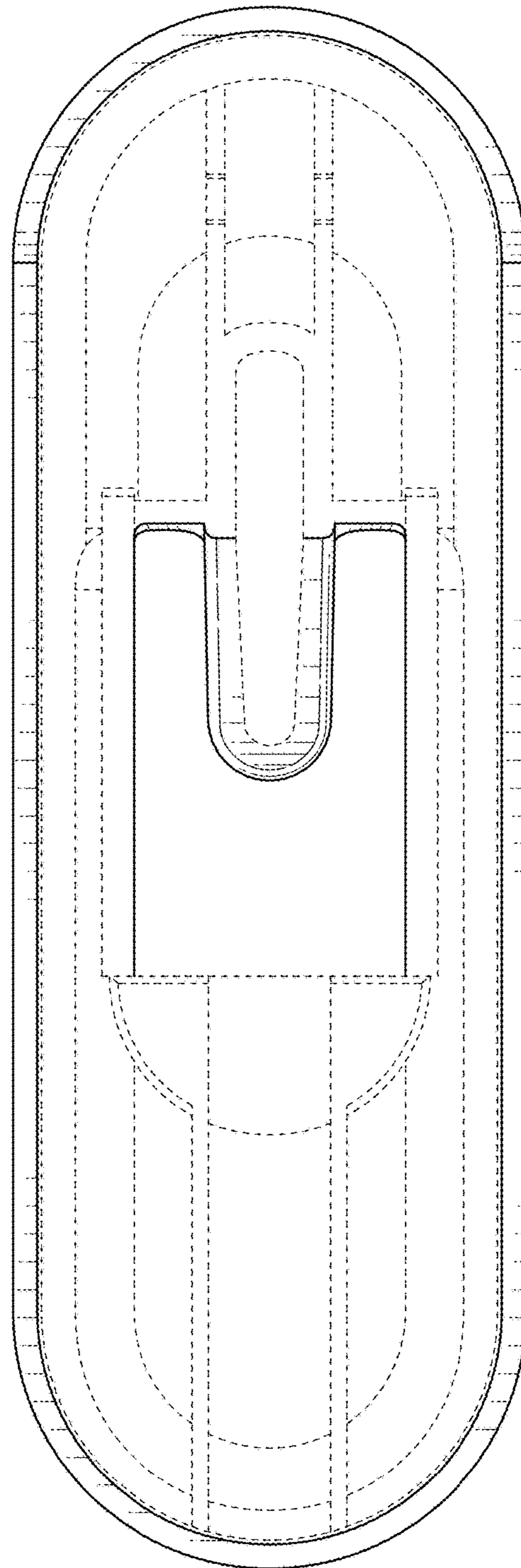


FIG. 6