



US00D842081S

(12) **United States Design Patent** (10) **Patent No.:** **US D842,081 S**
Thompson (45) **Date of Patent:** **** Mar. 5, 2019**

(54) **HOOK**
(71) Applicant: **3M INNOVATIVE PROPERTIES COMPANY**, St. Paul, MN (US)
(72) Inventor: **Aaron P. Thompson**, Menomonie, WI (US)
(73) Assignee: **3M INNOVATIVE PROPERTIES COMPANY**, St. Paul, MN (US)
(**) Term: **15 Years**
(21) Appl. No.: **29/613,475**

D480,292 S * 10/2003 Johansson et al. D8/367
D494,452 S * 8/2004 Sheldon et al. D8/367
D543,837 S * 6/2007 Newbould et al. D8/367
D554,481 S * 11/2007 Newbould et al. D8/367
D554,482 S * 11/2007 Hager et al. D8/367
D565,939 S * 4/2008 Newbould et al. D8/367
D572,121 S * 7/2008 Shiffler D8/367
D572,128 S * 7/2008 Poulsen D8/395
D579,322 S * 10/2008 Newbould et al. D8/367
D583,653 S * 12/2008 Thompson et al. D8/367
D584,939 S * 1/2009 Snell D8/367
D603,688 S * 11/2009 Chiu D8/367
D609,995 S * 2/2010 Hager et al. D8/367
7,833,620 B2 * 11/2010 Enserink et al. 428/321.1
D632,951 S * 2/2011 McGreevy et al. D8/367

(Continued)

(22) Filed: **Aug. 10, 2017**
(51) **LOC (11) Cl.** **08-05**
(52) **U.S. Cl.**
USPC **D8/367**
(58) **Field of Classification Search**
USPC D8/367, 354, 349, 373; D6/323;
248/301-304, 339
CPC A47G 1/00; A47G 25/00
See application file for complete search history.

OTHER PUBLICATIONS

Command™ Micro Hooks, 3M, [retrieved from the internet Aug. 10, 2017], <http://www.command.com/3M/en_US/command/products/~/Command-Micro-Hooks?N=5924736+3294529207+3294737315&rt=rud>, pp. 2.

(Continued)

Primary Examiner — Cynthia R Underwood
(74) *Attorney, Agent, or Firm* — Irina Hass

(56) **References Cited**
U.S. PATENT DOCUMENTS

(57) **CLAIM**

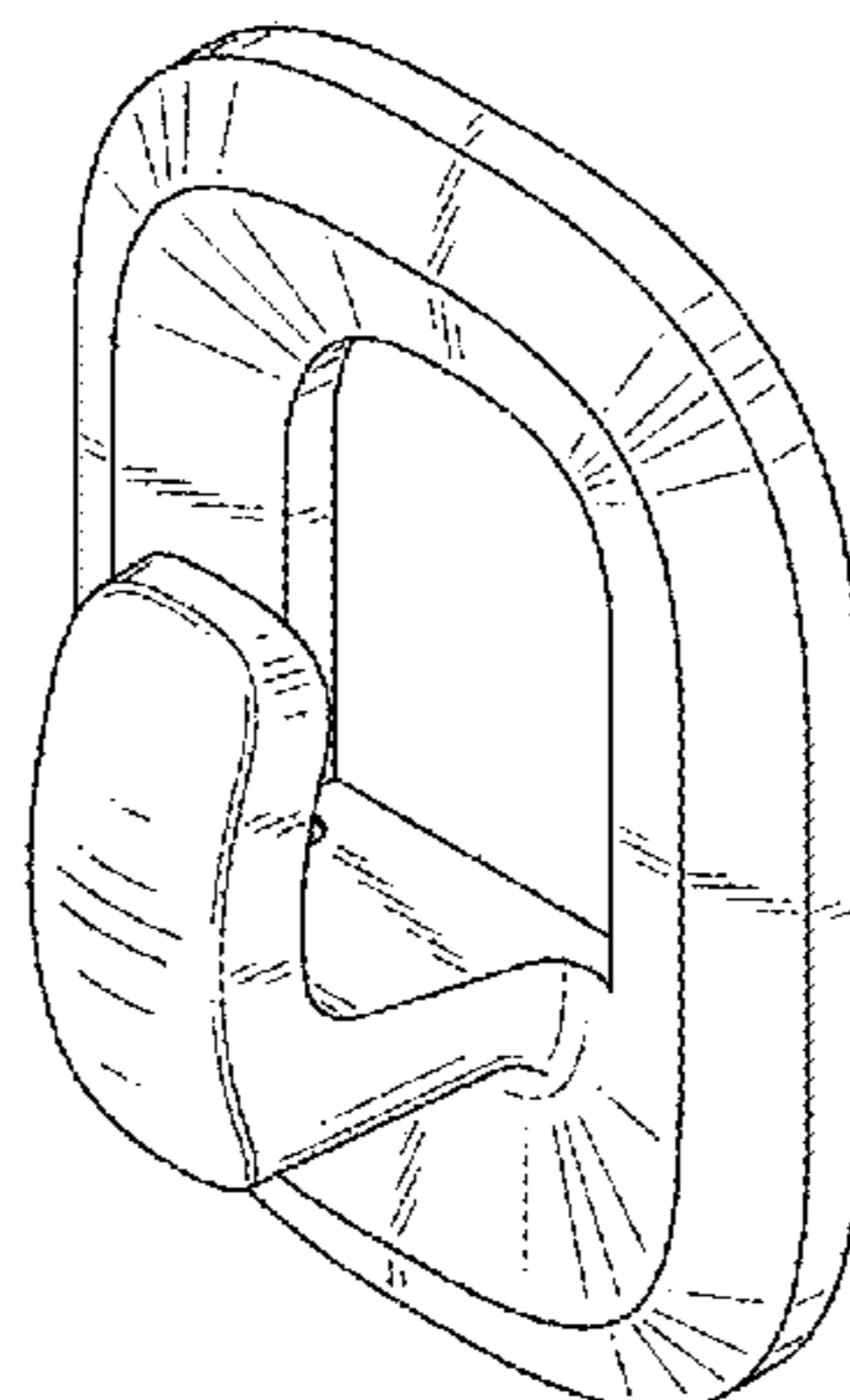
The ornamental design for a hook, as shown and described.

1,886,882 A * 11/1932 Huber A41F 7/00
24/336
D289,139 S * 4/1987 Chasen D6/323
D289,255 S * 4/1987 Chasen D6/323
D307,539 S * 5/1990 Goodman D8/367
5,207,403 A * 5/1993 Penniman B08B 17/04
248/215
D339,058 S * 9/1993 Greenhut et al. D8/367
D345,497 S * 3/1994 Miller D8/367
D361,930 S * 9/1995 Fillipp D8/367
D390,014 S * 2/1998 Ho D6/323
D393,412 S * 4/1998 Bries D8/367
D417,385 S * 12/1999 Bries et al. D8/367
6,325,342 B1 * 12/2001 Dignat 248/118

DESCRIPTION

FIG. 1 is a perspective view showing a new design for a hook;
FIG. 2 is a right side view thereof, a left side view being a mirror image thereof;
FIG. 3 is a front view thereof;
FIG. 4 is a rear view thereof;
FIG. 5 is a bottom view thereof; and,
FIG. 6 is a top view thereof.

1 Claim, 2 Drawing Sheets



(56)

References Cited

U.S. PATENT DOCUMENTS

D641,228	S	*	7/2011	Qiblawi et al.	D8/367
D641,614	S	*	7/2011	Pontaoe	D8/394
D665,653	S	*	8/2012	Thompson et al.	D8/367
D672,223	S	*	12/2012	Thompson	D8/356
D678,041	S	*	3/2013	Pan et al.	D8/367
D680,804	S	*	4/2013	Gilboe	D7/367
D680,852	S		4/2013	Gilboe	
D682,663	S	*	5/2013	Evon	D8/367
D697,388	S	*	1/2014	Pan	D8/367
D697,389	S	*	1/2014	Pan	D8/367
D707,111	S	*	6/2014	Callif	D8/367
D714,622	S		10/2014	Pan	
D714,623	S		10/2014	Pan	
D715,624	S		10/2014	Thompson	
D769,700	S	*	10/2016	Chinchon et al.	D8/367
D817,749	S	*	5/2018	Ryu et al.	D8/367

OTHER PUBLICATIONS

Command™ Mini Hooks, 3M, [retrieved from the internet Aug. 10, 2017], <http://www.command.com/3M/en_US/command/products/~Command-Micro-Hooks?N=5924736+3294529207+3294737315&rt=rud>, pp. 2.

* cited by examiner

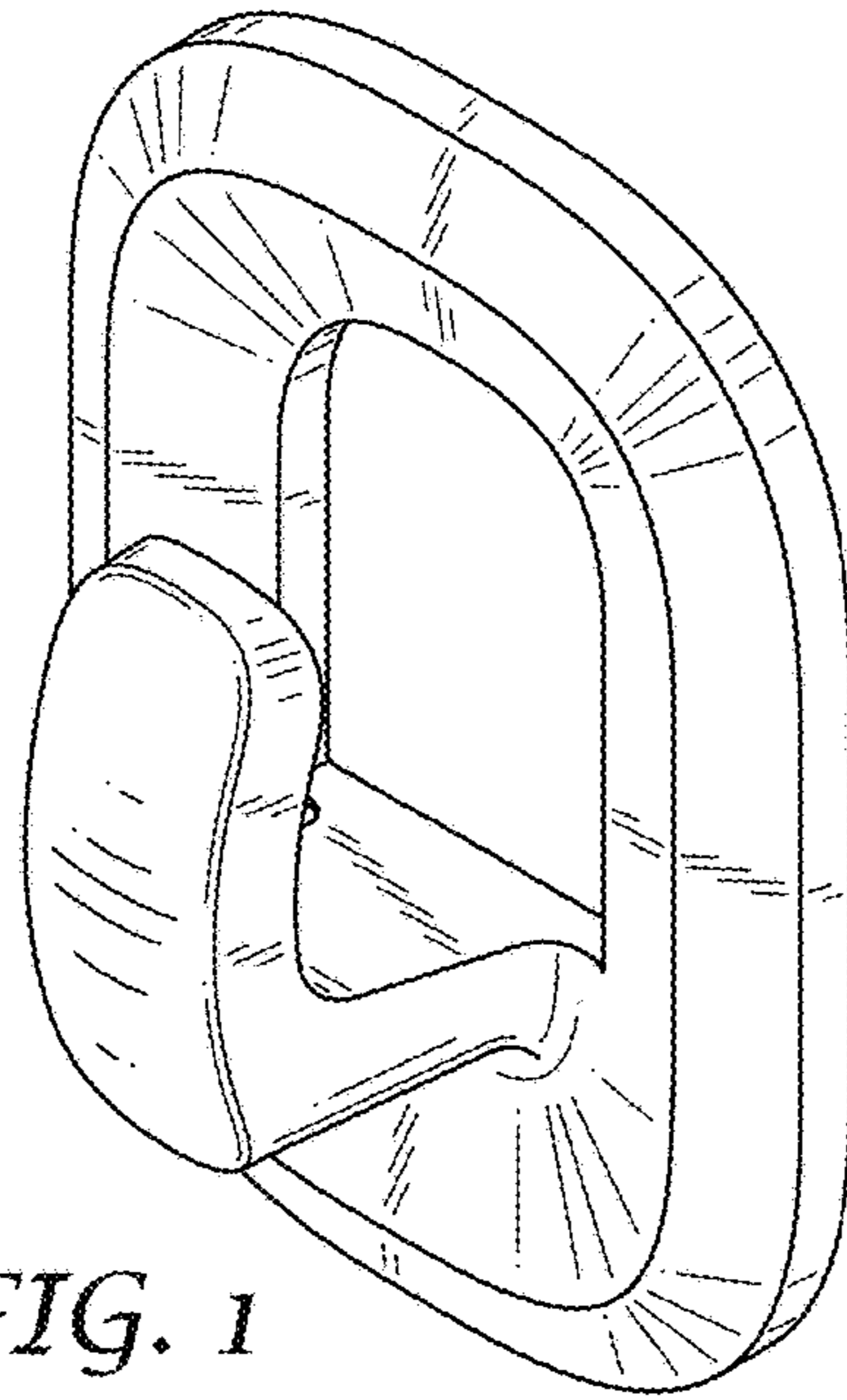


FIG. 1

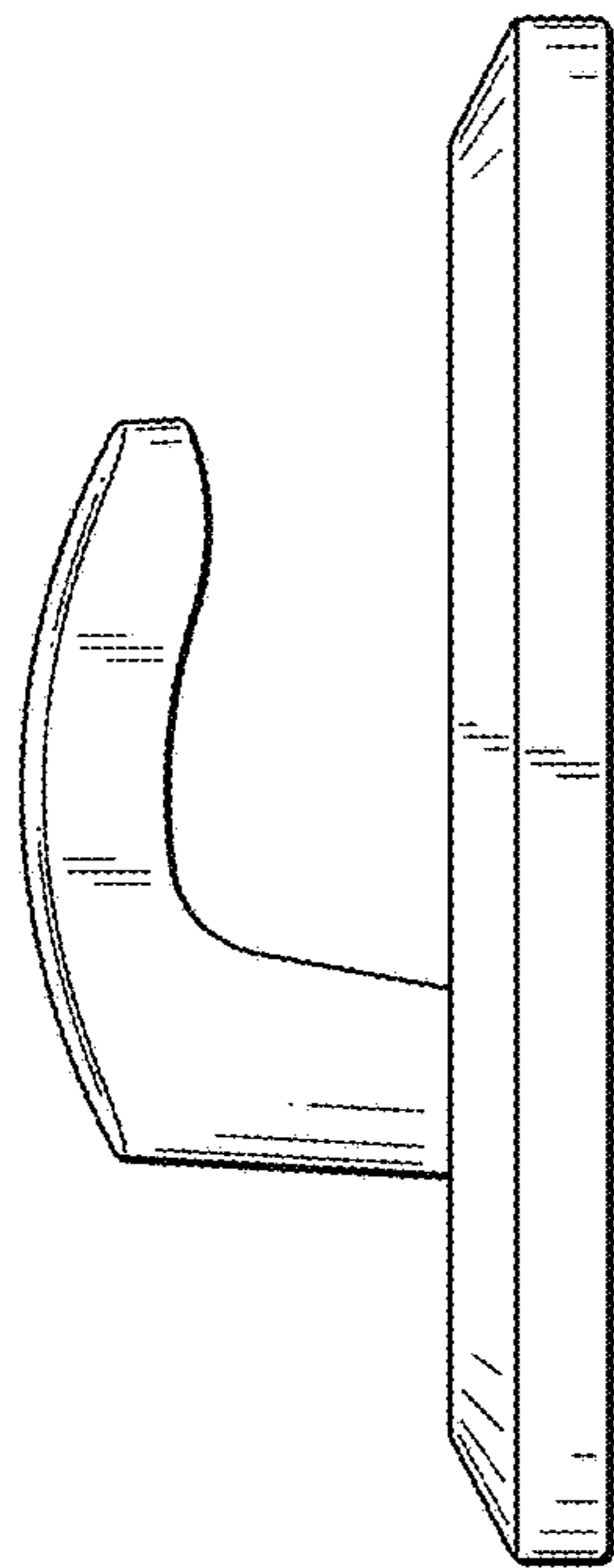


FIG. 2

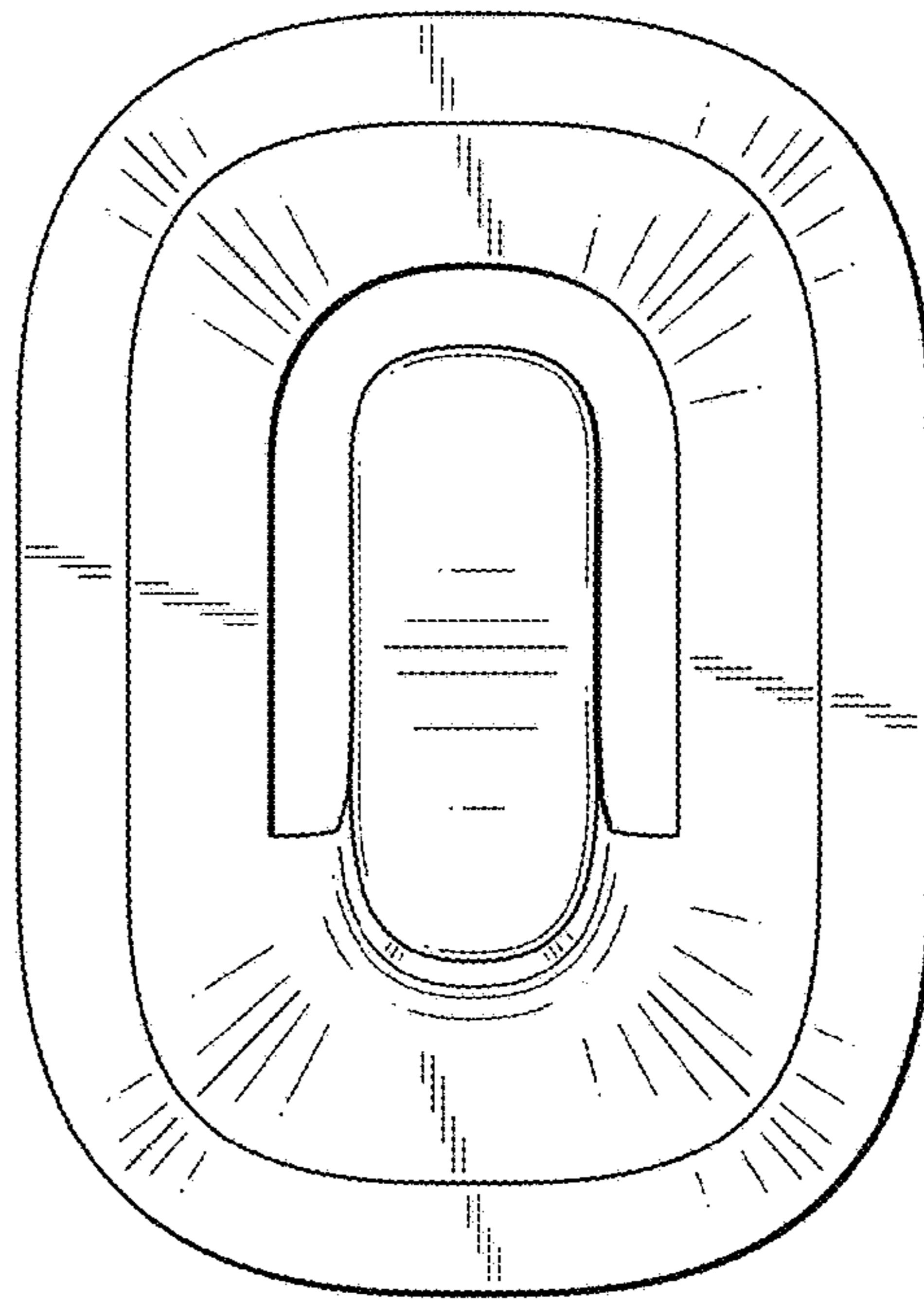


FIG. 3

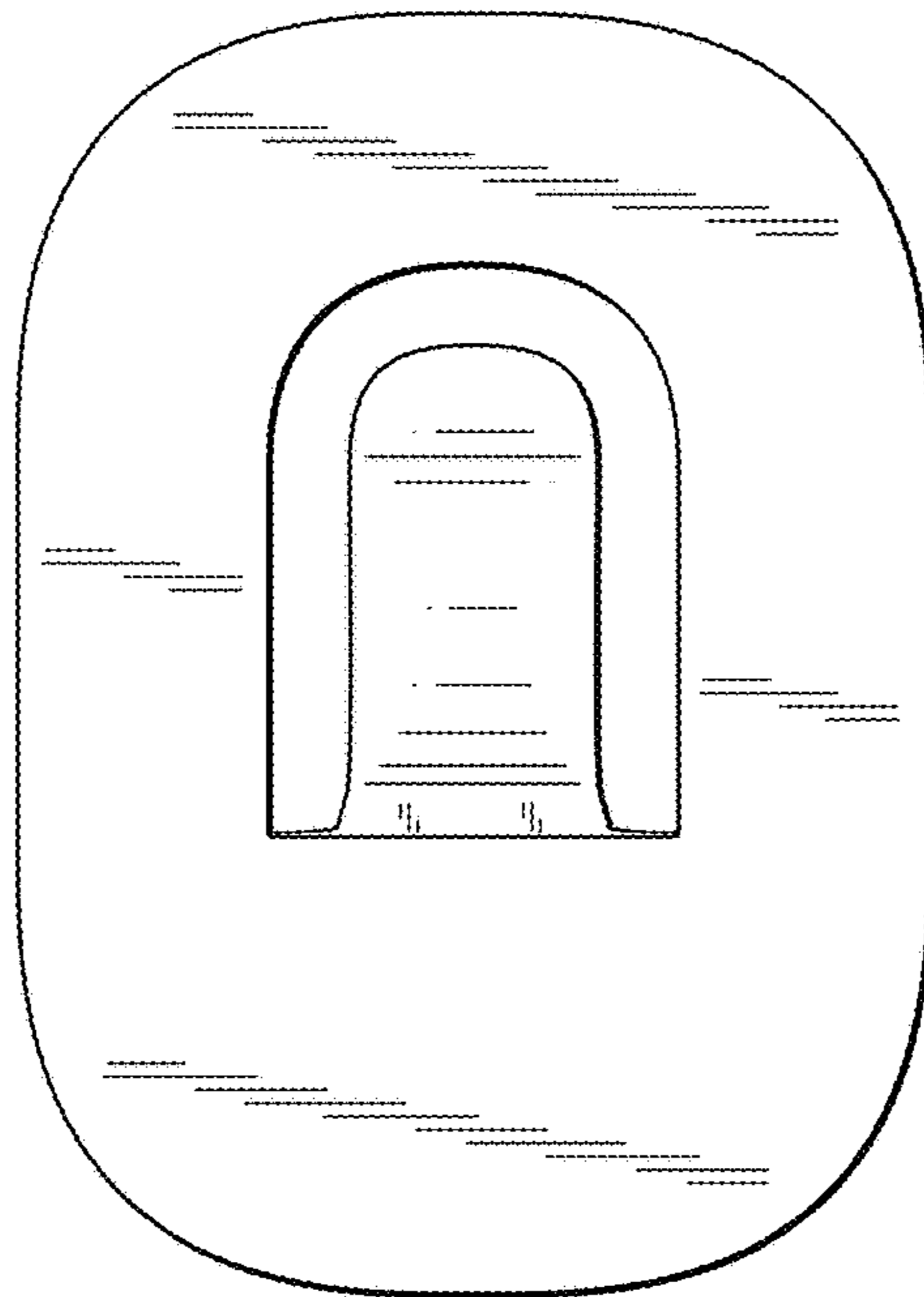


FIG. 4

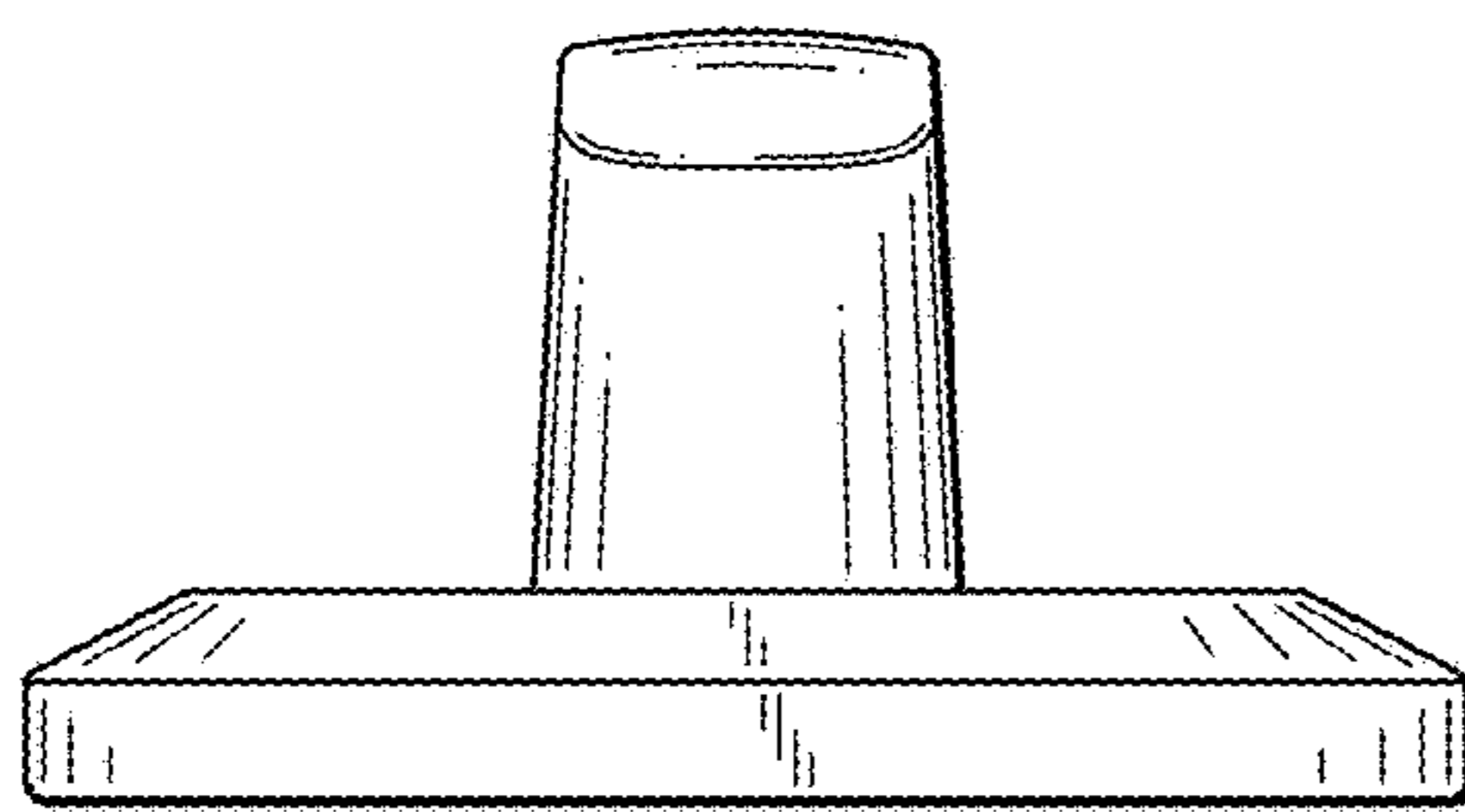


FIG. 5

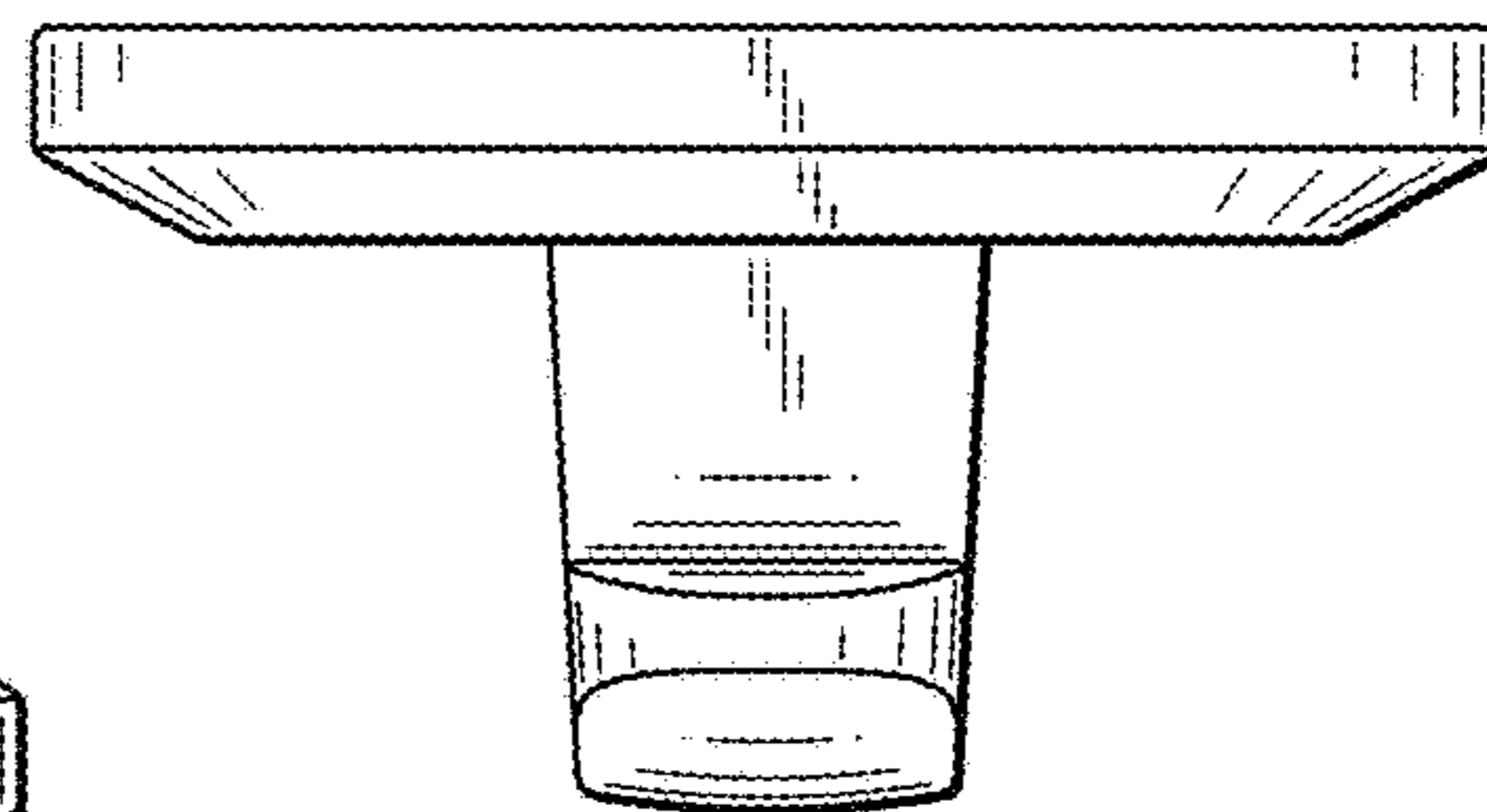


FIG. 6