

US00D842079S

(12) **United States Design Patent** (10) **Patent No.:** **US D842,079 S**
Betzler (45) **Date of Patent:** **** Mar. 5, 2019**

(54) **HOOK**
(71) Applicant: **RUD Ketten Rieger & Dietz GmbH u. Co. KG**, Aalen (DE)
(72) Inventor: **Michael Betzler**, Abtsgmünd (DE)
(73) Assignee: **RUD KETTEN RIEGER & DIETZ GMBH U. CO. K.G.**, Aalen (DE)

9,468,809 B2 * 10/2016 Coursimault A63B 29/02
9,573,002 B2 * 2/2017 Lefebvre A62B 1/14
D788,572 S * 6/2017 Votel D8/356
D801,156 S * 10/2017 Hung D8/367
D813,651 S * 3/2018 Votel D8/356
D827,418 S * 9/2018 Austin D8/356
2002/0162201 A1 11/2002 Liu
2011/0175385 A1 7/2011 Buie et al.
2015/0231423 A1 * 8/2015 Perner A62B 35/0075
24/505

(**) Term: **15 Years**

FOREIGN PATENT DOCUMENTS

(21) Appl. No.: **29/630,433**

WO 0225123 A1 3/2002
WO 2018/033435 A1 2/2018

(22) Filed: **Dec. 21, 2017**

* cited by examiner

(51) **LOC (11) Cl.** **09-06**

Primary Examiner — Cynthia R Underwood

(52) **U.S. Cl.**
USPC **D8/356; D8/367**

(74) *Attorney, Agent, or Firm* — Edell, Shapiro & Finnan, LLC

(58) **Field of Classification Search**
USPC D8/367, 354, 349, 373, 372, 356;
248/301–304, 339
CPC A47G 1/17; A47G 1/22; A47G 25/0607;
F16B 45/02; B66C 1/125; A62B 35/0037
See application file for complete search history.

(57) **CLAIM**

The ornamental design for a hook, as shown and described.

(56) **References Cited**

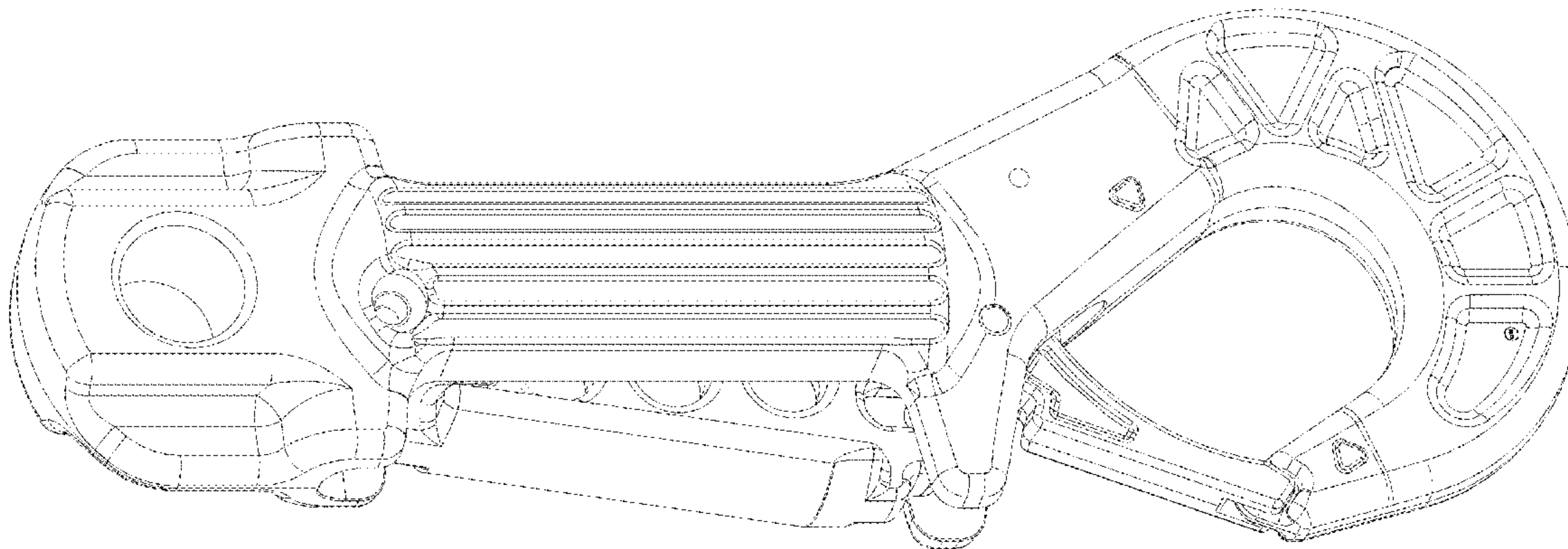
DESCRIPTION

U.S. PATENT DOCUMENTS

1,582,345 A 12/1925 O'Bannon
2,116,880 A 5/1938 Dee
2,197,997 A 4/1940 Dee
D391,473 S * 3/1998 Striebel D8/367
D391,474 S * 3/1998 Striebel D8/367
D391,475 S * 3/1998 Striebel D8/367
6,898,829 B2 5/2005 Loe et al.
7,444,723 B2 * 11/2008 Lin F16B 45/02
24/600.1

FIG. 1 is a front perspective view of a hook according to the present invention;
FIG. 2 is a top view of the hook of FIG. 1;
FIG. 3 is a bottom view of the hook of FIG. 1;
FIG. 4 is a rear view of the hook of FIG. 1;
FIG. 5 is a front view of the hook of FIG. 1;
FIG. 6 is a right side view of the hook of FIG. 1; and,
FIG. 7 is a left side view of the hook of FIG. 1.

1 Claim, 5 Drawing Sheets



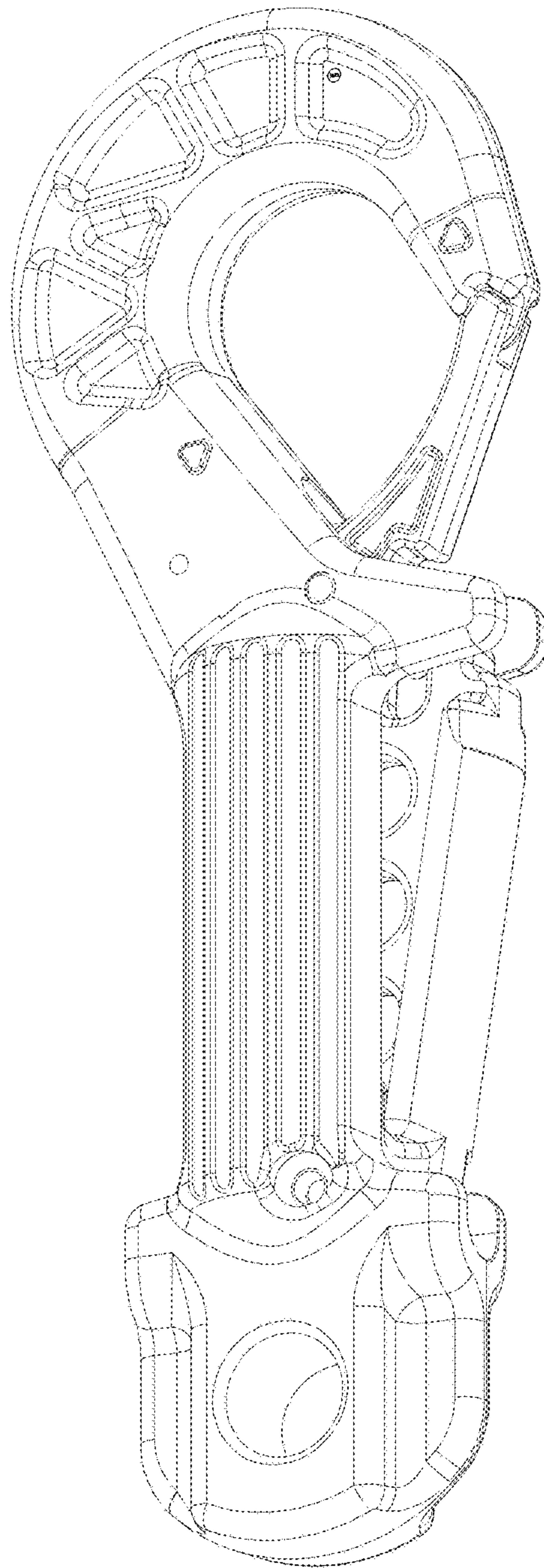


FIG.1

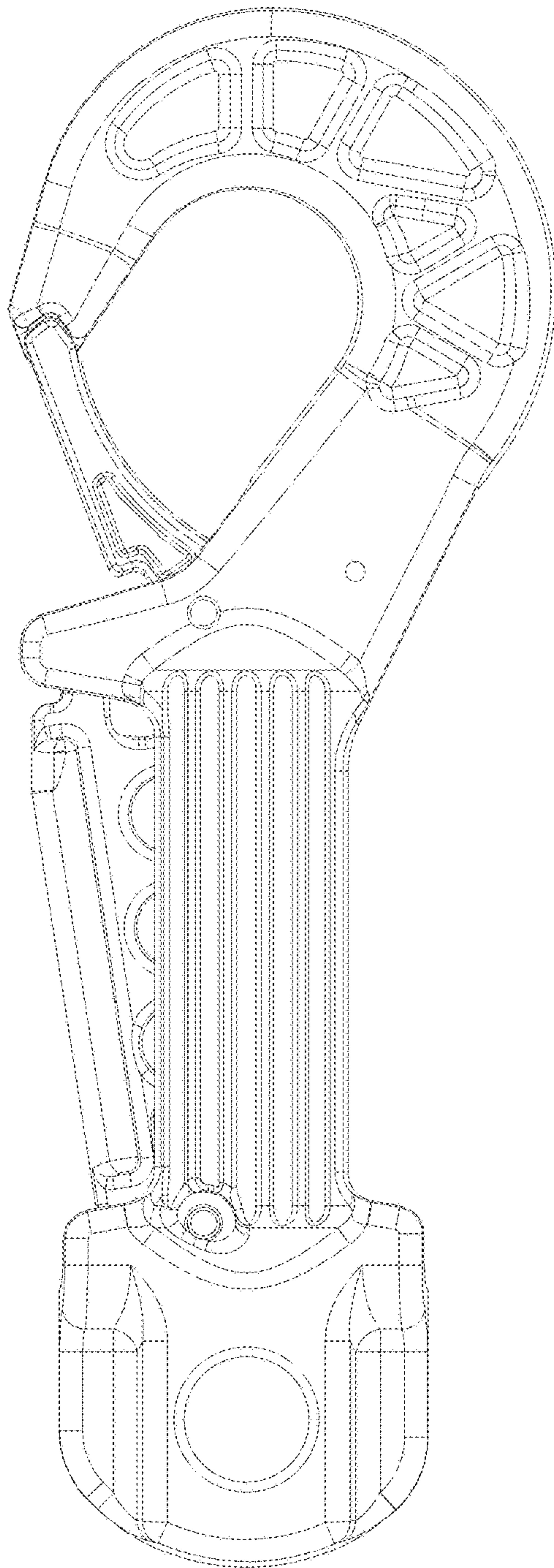


FIG. 2

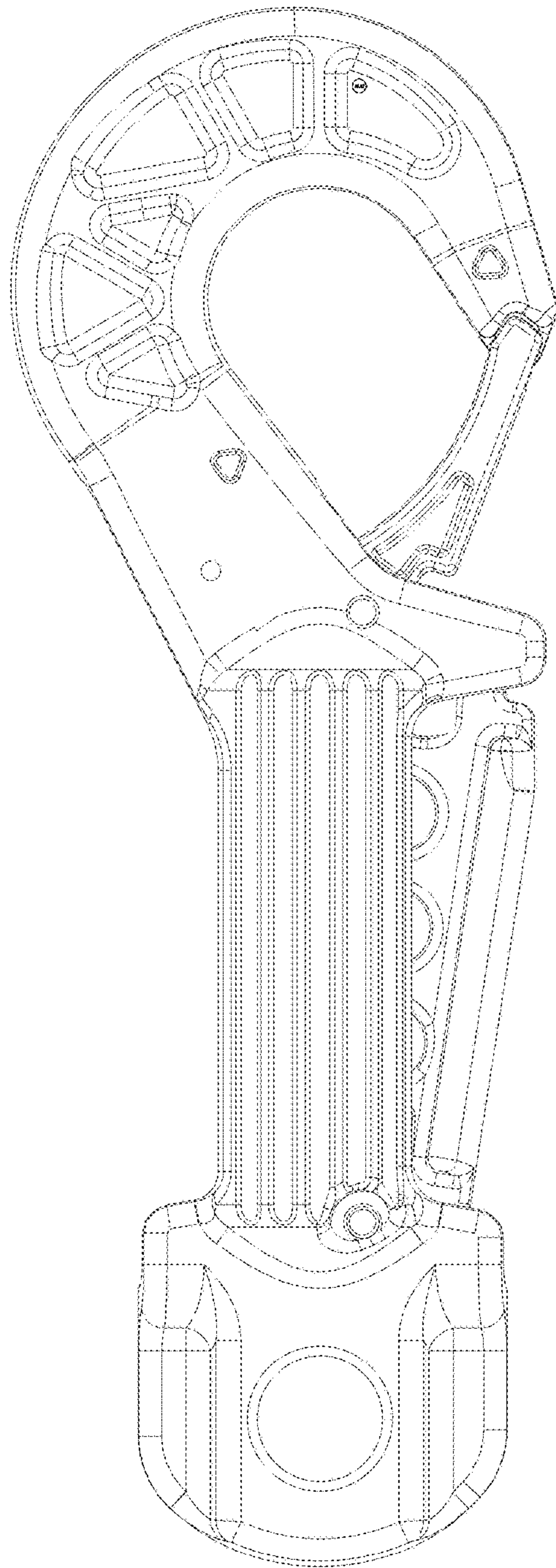


FIG. 3

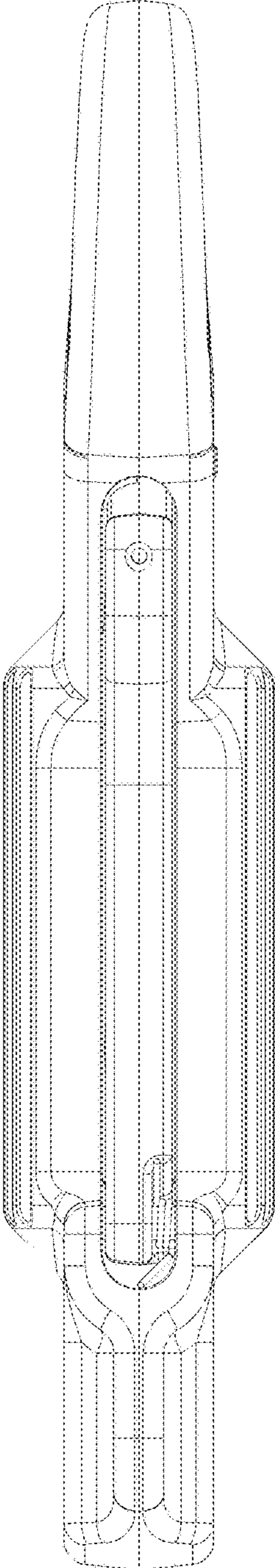


FIG.4

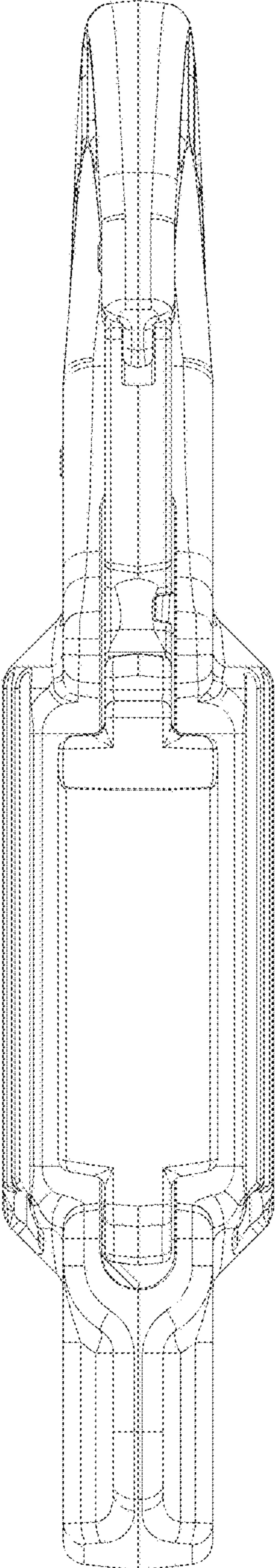


FIG.5

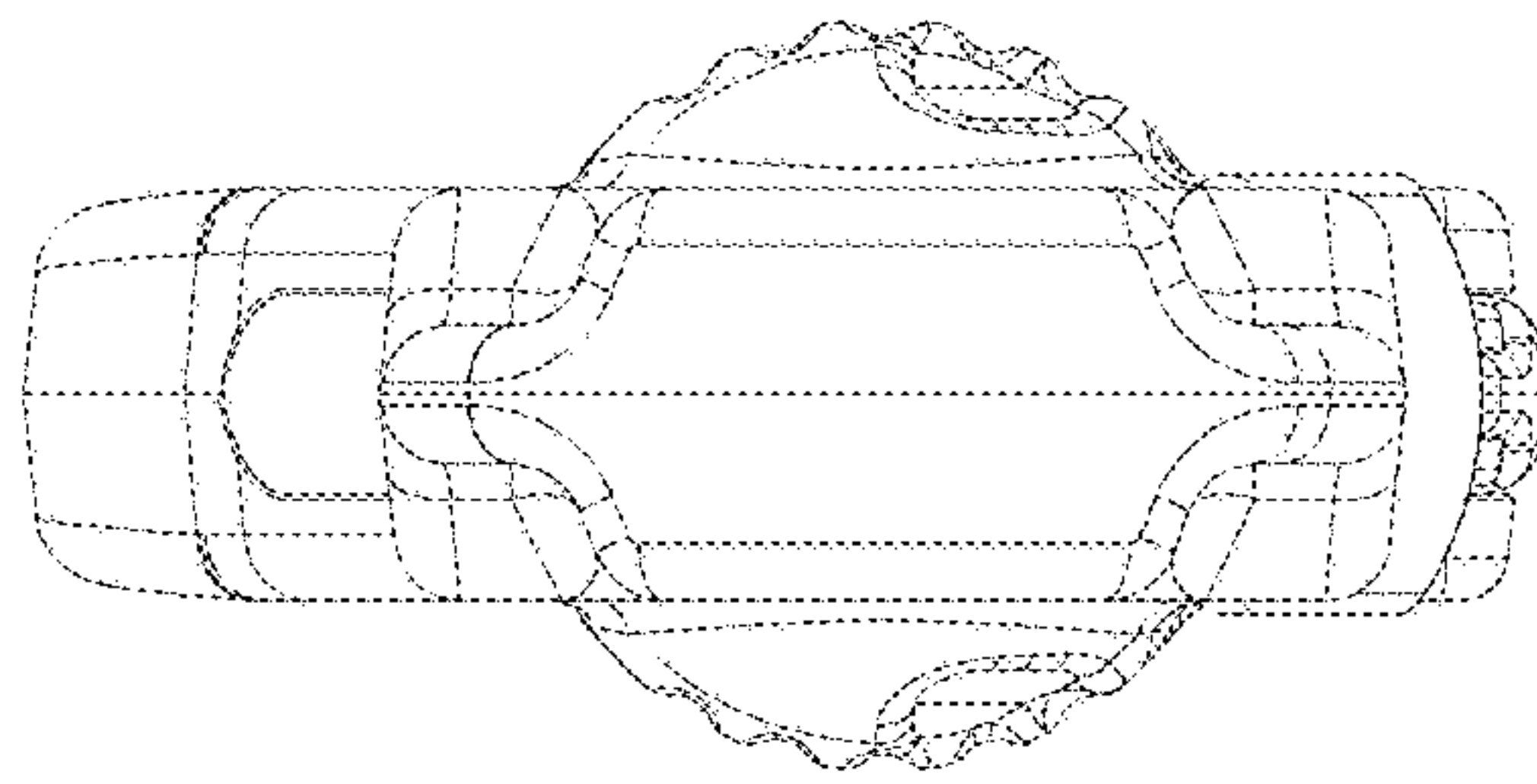


FIG.7

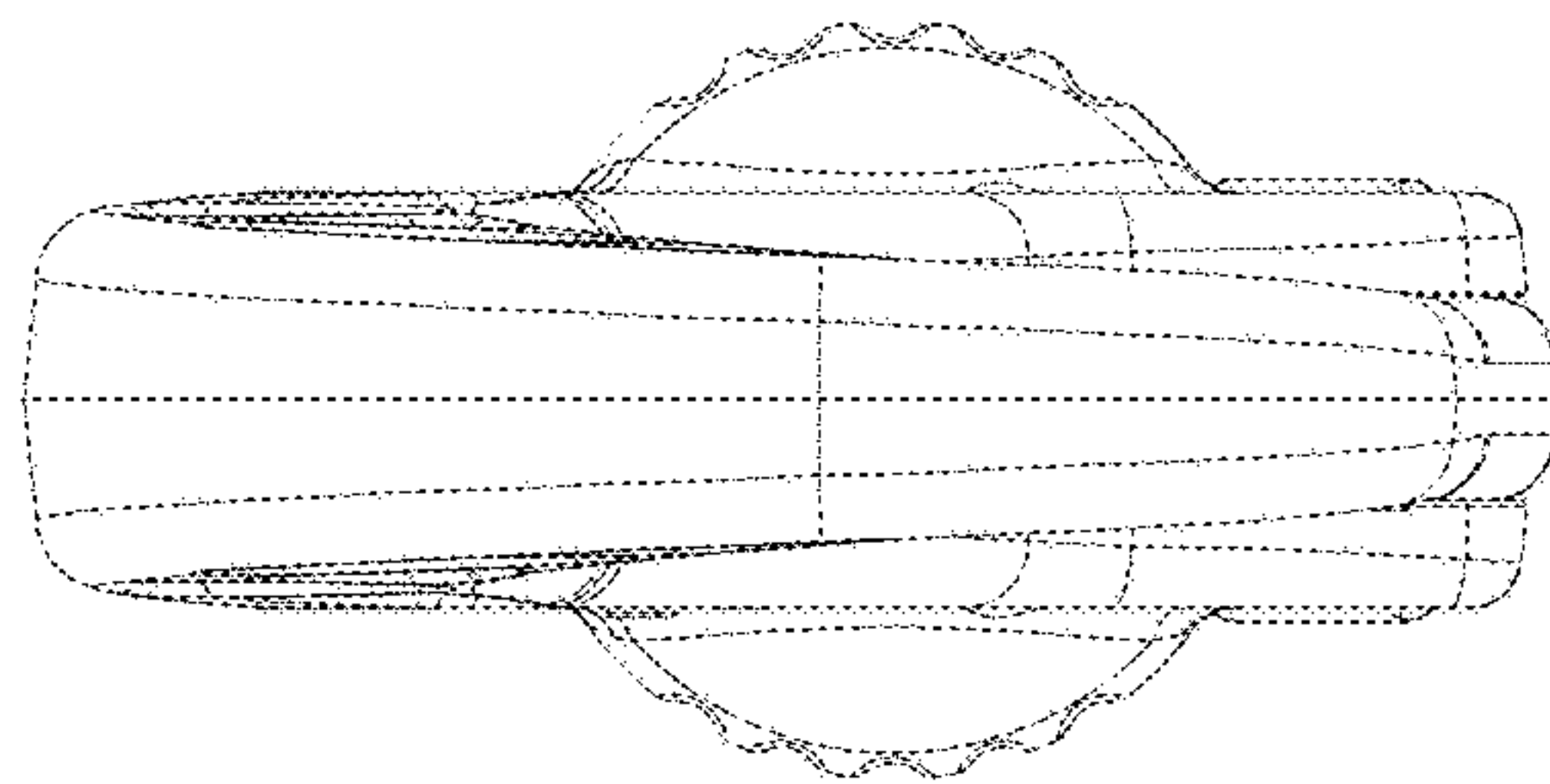


FIG.6