

US00D842078S

(12) **United States Design Patent**
Martino et al.

(10) **Patent No.:** **US D842,078 S**
(45) **Date of Patent:** **** Mar. 5, 2019**

(54) **OVAL GROMMET FOR A CABLE CONNECTOR AND A CABLE CONNECTOR**

(71) Applicant: **IPEX TECHNOLOGIES INC.**,
Oakville (CA)

(72) Inventors: **Filippo Martino**, Oakville (CA);
Jeffrey Vincent Littlefield, Mississauga
(CA)

(73) Assignee: **IPEX TECHNOLOGIES INC.**,
Mississauga, Ontario (CA)

(**) Term: **15 Years**

(21) Appl. No.: **29/592,369**

(22) Filed: **Jan. 30, 2017**

(30) **Foreign Application Priority Data**

Nov. 24, 2016 (CA) 171777

(51) **LOC (11) Cl.** **08-05**

(52) **U.S. Cl.**
USPC **D8/356**

(58) **Field of Classification Search**
USPC D8/356, 354, 349; D13/155; 320/107
CPC H02J 7/0026; H02J 7/0021; H02J 7/0027;
Y02E 60/12; F16B 45/00
See application file for complete search history.

(56) **References Cited**

U.S. PATENT DOCUMENTS

3,062,475 A * 11/1962 Miller, Jr. A01K 97/06
242/404.3
4,150,798 A * 4/1979 Aragon H02G 11/02
191/12.2 R
4,390,142 A * 6/1983 Cheng H02G 11/02
242/388.1
5,873,540 A * 2/1999 Hardin B65H 75/143
206/406

6,234,418 B1 * 5/2001 Donaldson B65H 75/28
191/12.2 R
6,966,791 B1 * 11/2005 Farr B65H 75/406
206/303
7,077,693 B1 * 7/2006 Symons H01R 13/72
191/12.4
D539,117 S * 3/2007 Sealey D8/349
(Continued)

Primary Examiner — Cynthia R Underwood

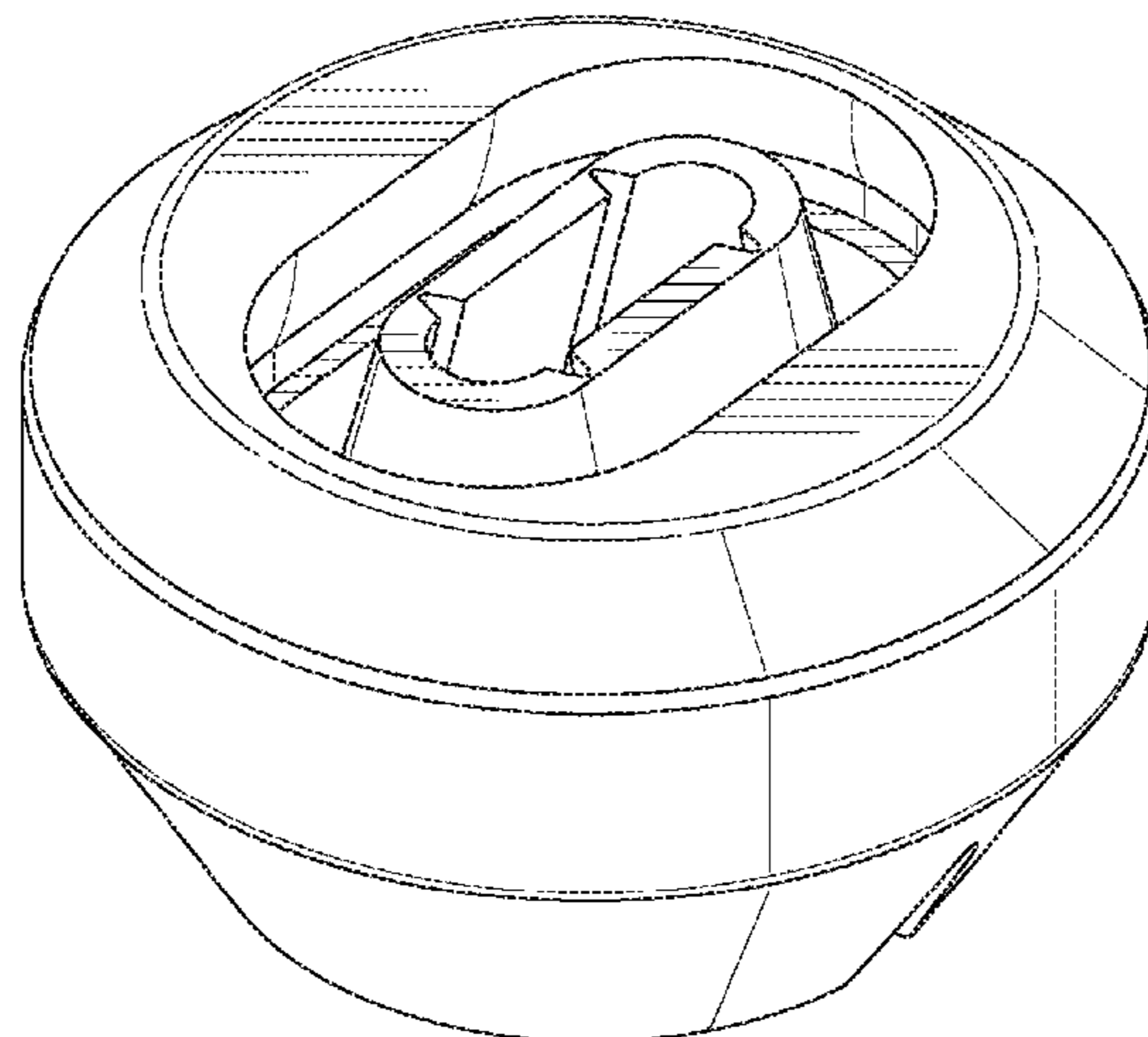
(57) **CLAIM**

We claim the ornamental design for an oval grommet for a cable connector and a cable connector, as shown (as described).

DESCRIPTION

FIG. 1 is a top perspective view showing the design;
FIG. 2 is a bottom perspective view of the design shown in FIG. 1;
FIG. 3 is a front side view of the design shown in FIG. 1 the rear side view being the same;
FIG. 4 is a right side view of the design shown in FIG. 1 the left side view being the same;
FIG. 5 is a top view of the design shown in FIG. 1;
FIG. 6 is a bottom view of the design shown in FIG. 1;
FIG. 7 is a perspective view of a variation of the design shown in FIG. 1 in a connector in an extended configuration;
FIG. 8 is a front side view of the design shown in FIG. 7 in extended configuration the rear side view being the same;
FIG. 9 is a right side view of the design shown in FIG. 7 in extended configuration the left side view being the same;
FIG. 10 is a top view of the design shown in FIG. 7 in assembled configuration; and,
FIG. 11 is a bottom view of the design shown in FIG. 7 in assembled configuration.
The broken lines represent environment that form no part of the claim.

1 Claim, 8 Drawing Sheets



(56)

References Cited

U.S. PATENT DOCUMENTS

D542,123 S *	5/2007	Symons	D8/356	D716,640 S *	11/2014	Martinson	D8/356
D554,017 S *	10/2007	Hampton	D10/119.1	D722,621 S *	2/2015	Gray	D15/28
7,399,199 B2 *	7/2008	Symons	H01R 13/72 439/242	D735,020 S *	7/2015	Bradford	D8/356
D591,678 S *	5/2009	Whitley	D13/133	9,187,291 B2 *	11/2015	Alexandre	B65H 75/34
D598,480 S *	8/2009	Kanemitsu	D15/148	D748,455 S *	2/2016	Symons	D8/356
7,654,484 B2 *	2/2010	Mogensen	A61M 5/1418 242/402	D779,435 S *	2/2017	Callahan	H02G 3/12 D13/139.4
7,686,830 B2 *	3/2010	Collier	A61B 17/0401 24/115 N	2002/0145073 A1 *	10/2002	Swanson	A61F 15/002 242/588.3
D631,730 S *	2/2011	Skillman	B65H 75/143 D8/356	2003/0122023 A1 *	7/2003	Pitcher	B65H 75/143 242/388.1
D644,306 S *	8/2011	Douglass, III	D23/269	2004/0178398 A1 *	9/2004	Miller	F16H 55/44 254/390
D645,334 S *	9/2011	Kanemitsu	D8/360	2008/0200064 A1 *	8/2008	Chong	H02G 3/22 439/571
D685,771 S *	7/2013	Bertenthal	D14/223	2011/0036676 A1 *	2/2011	Skillman	B65H 75/143 191/12.4
8,474,105 B2 *	7/2013	Naquin	B63B 21/20 24/115 R	2012/0305868 A1 *	12/2012	Callahan	H02G 3/12 254/134.3 R

* cited by examiner

Fig. 1

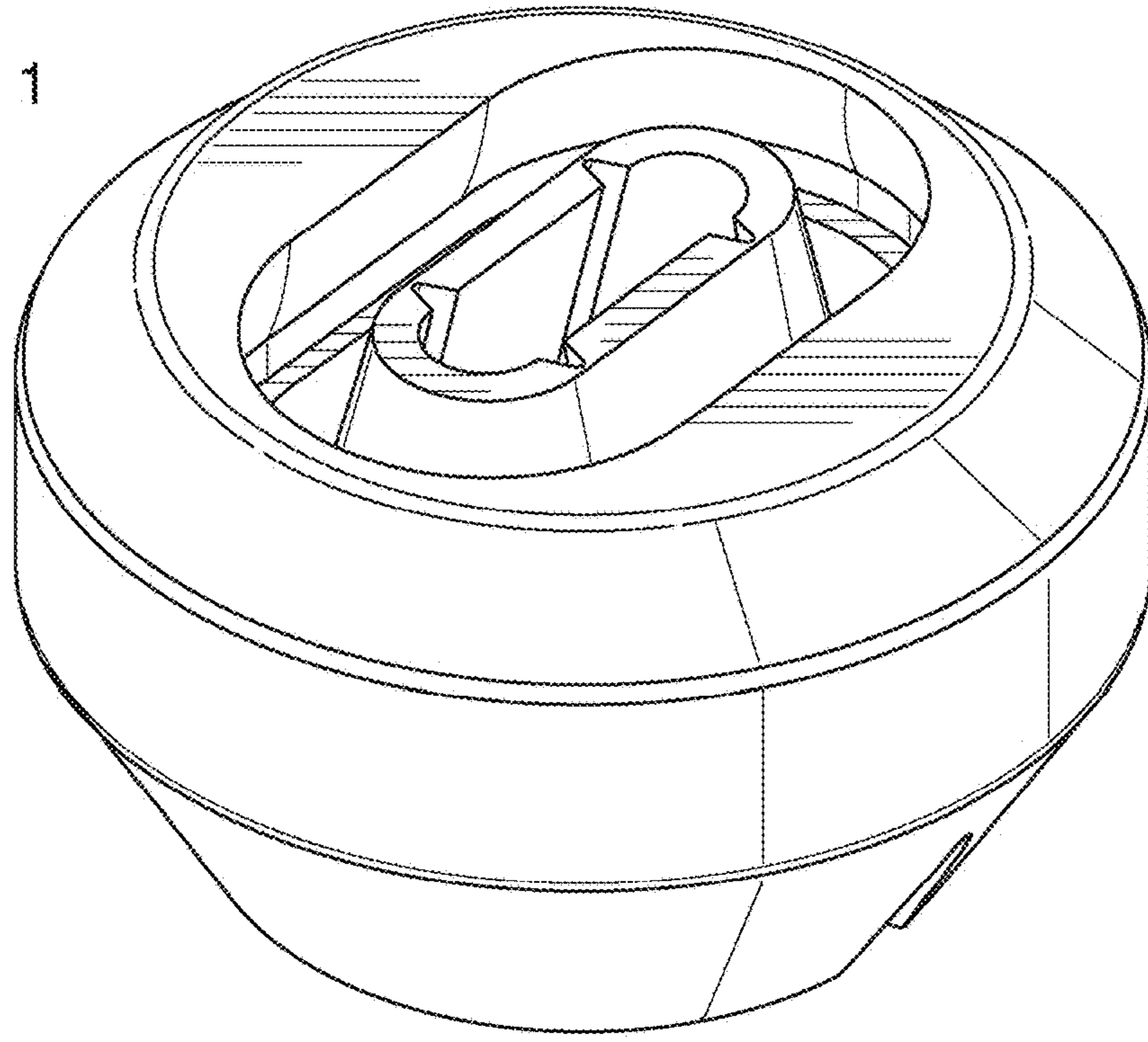


Fig. 2

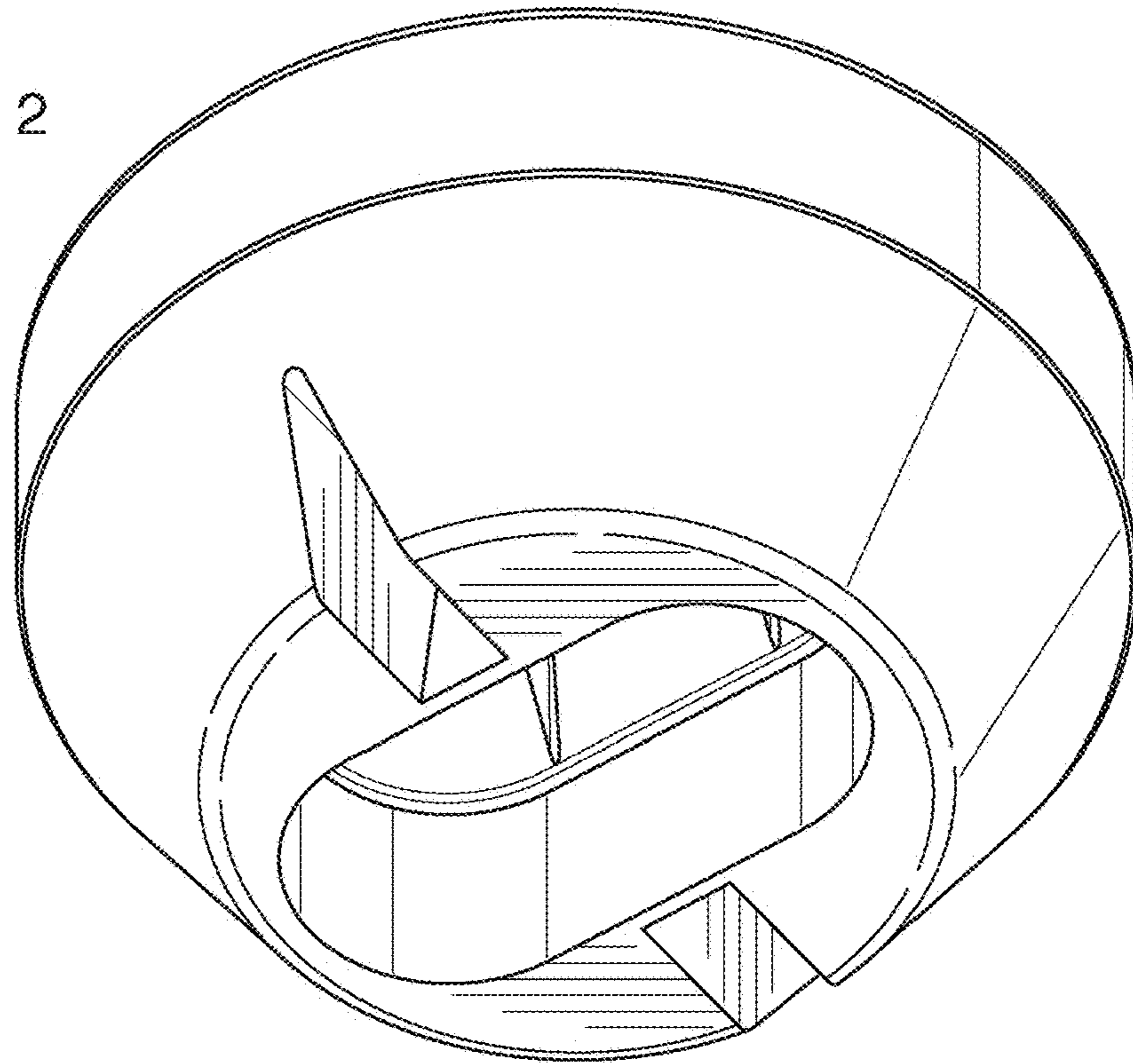


Fig. 3

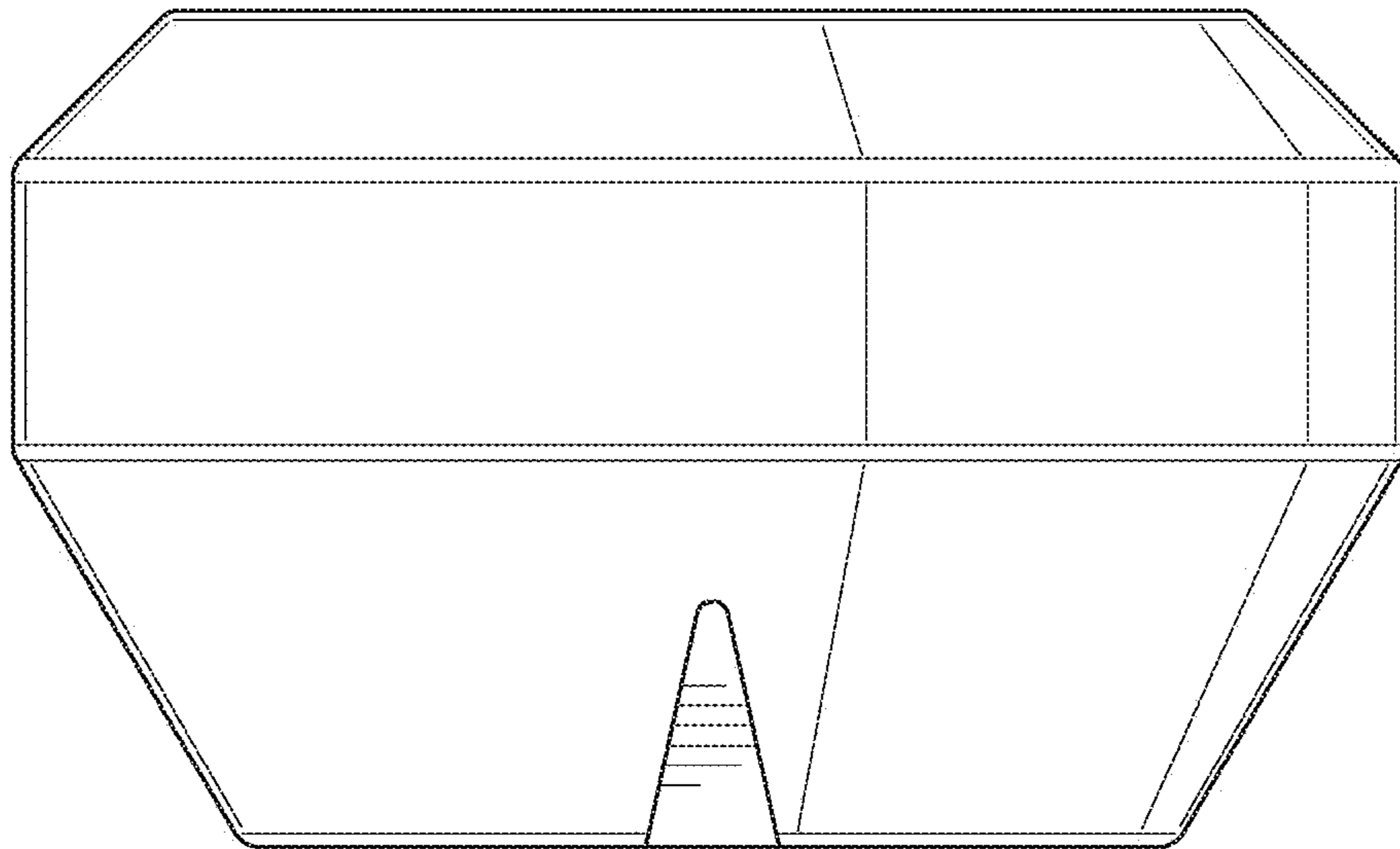


Fig. 4

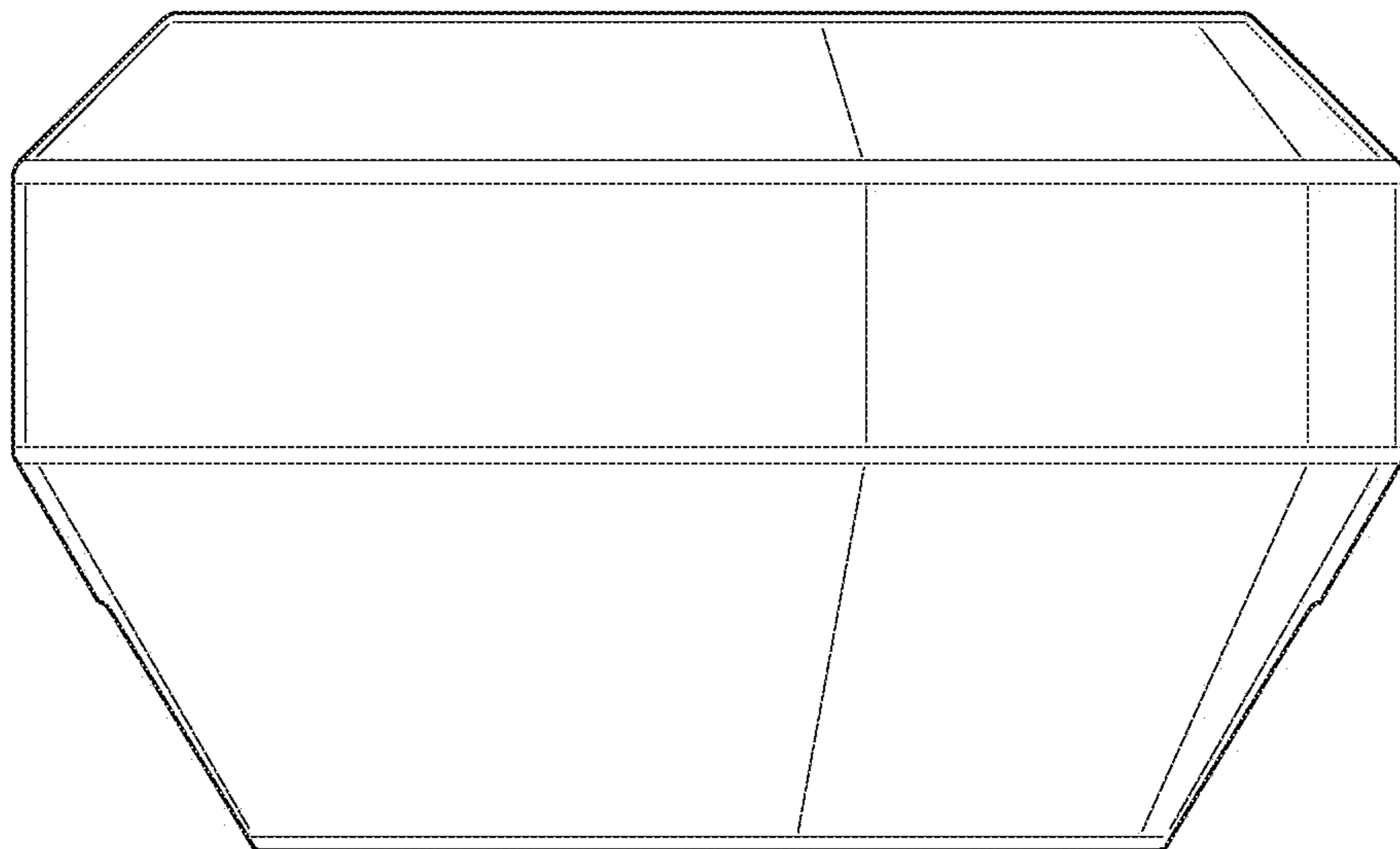


Fig. 5

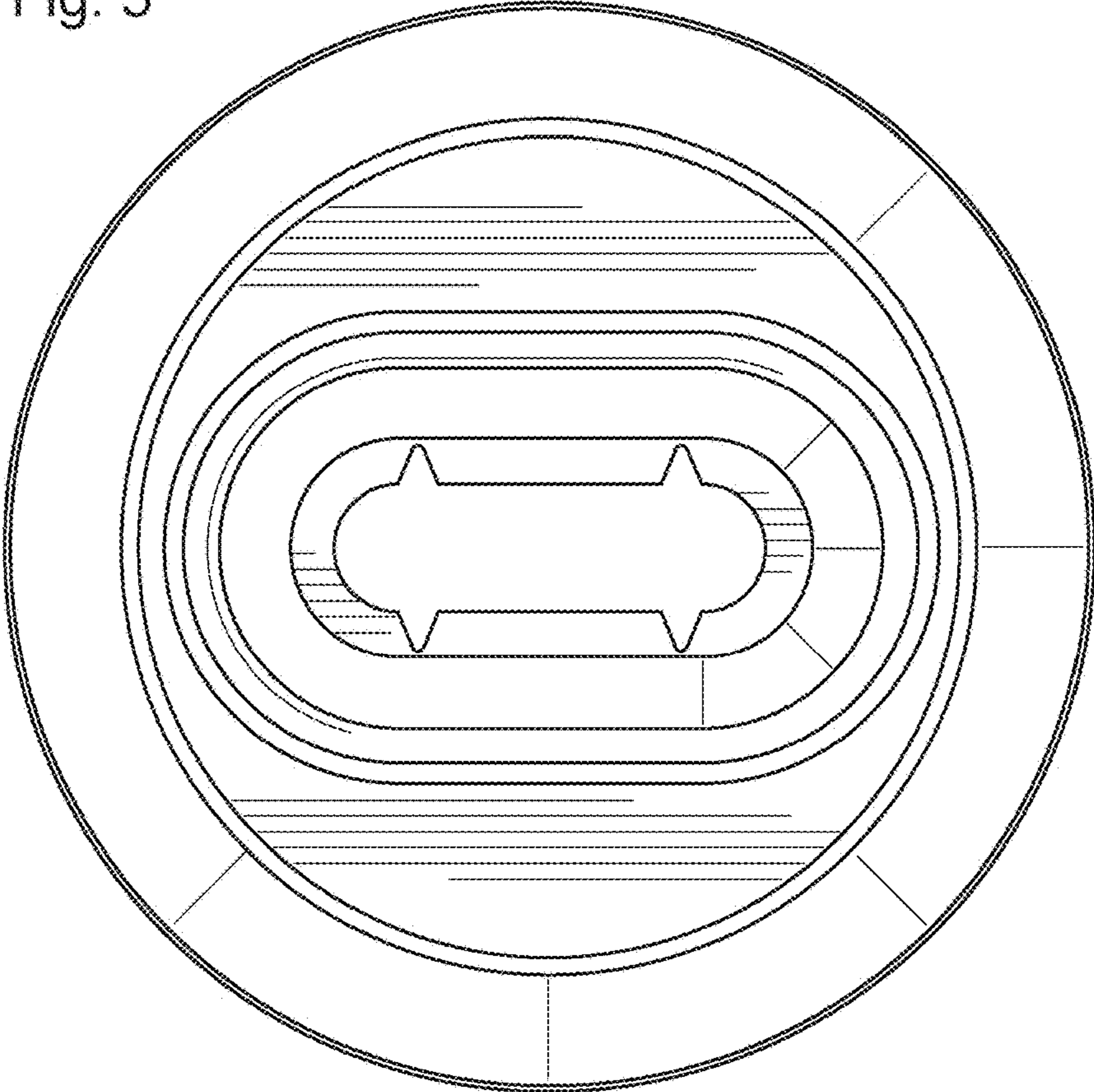


Fig. 6

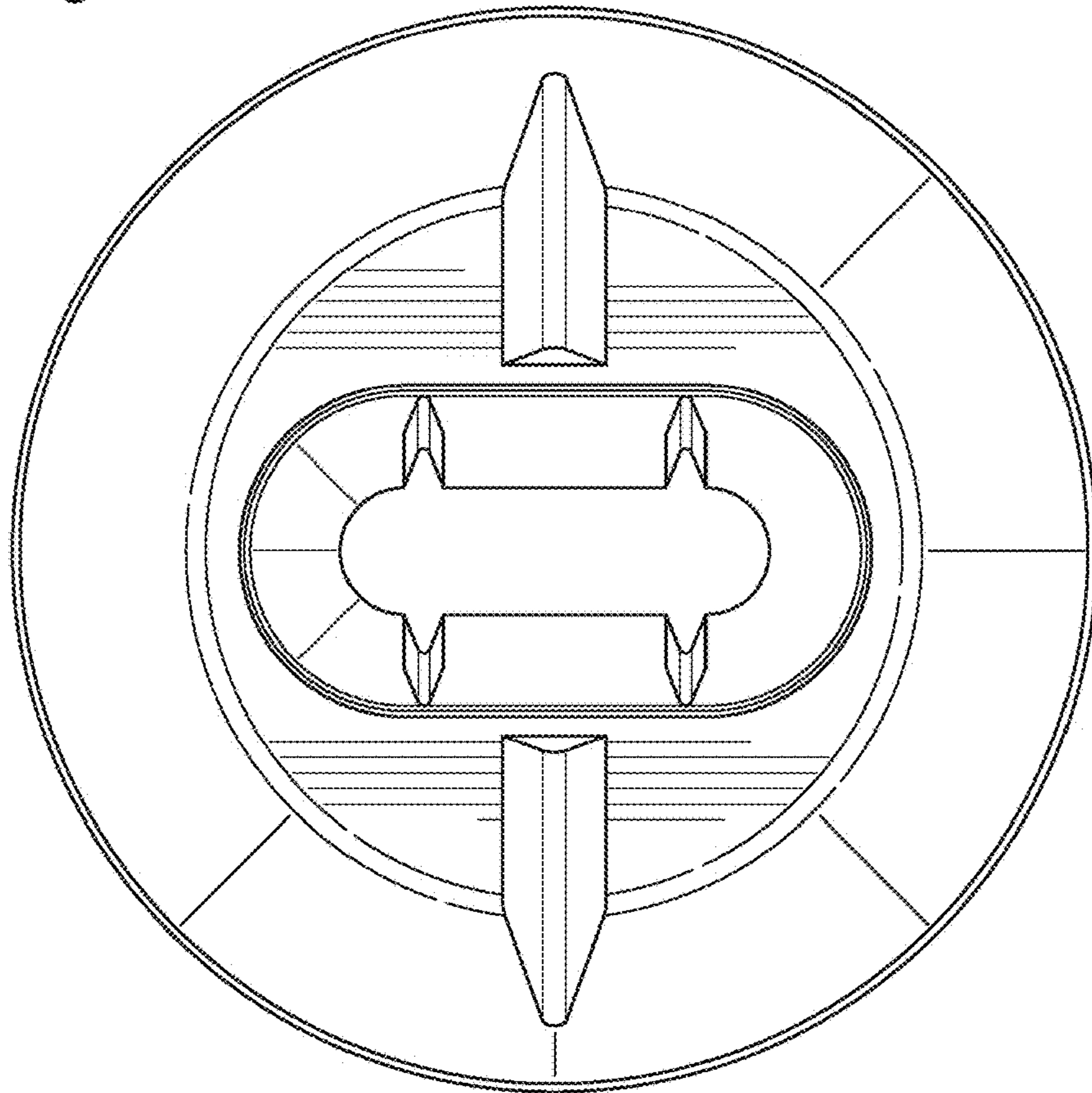


Fig. 7

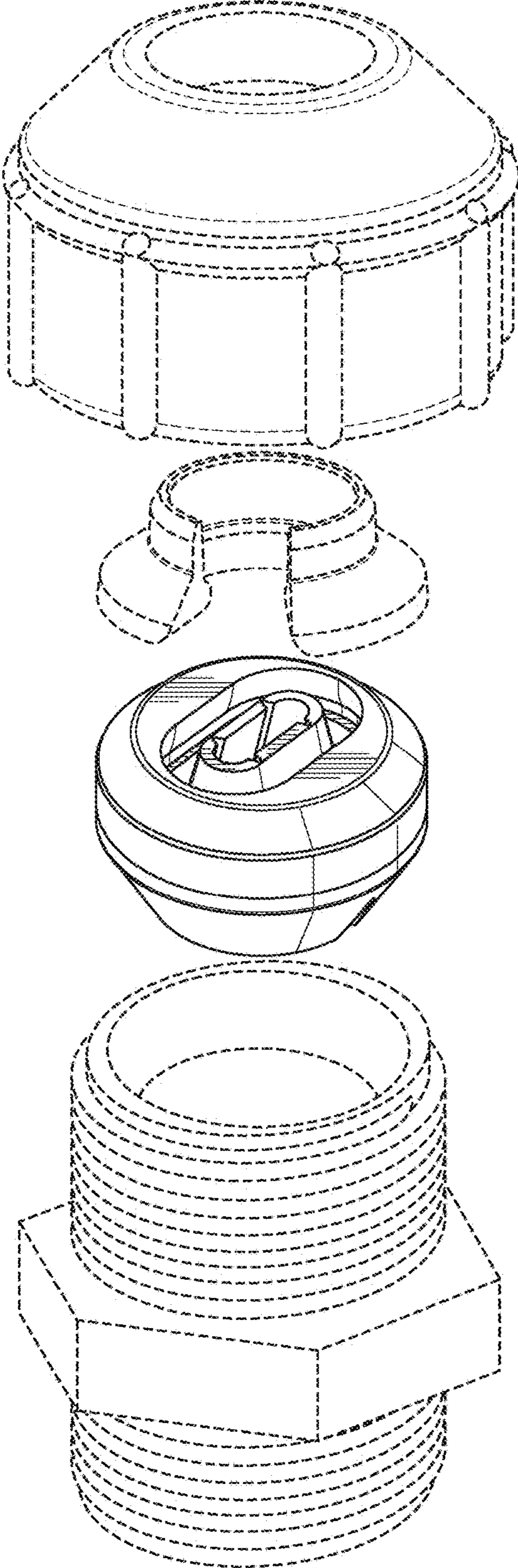


Fig. 8

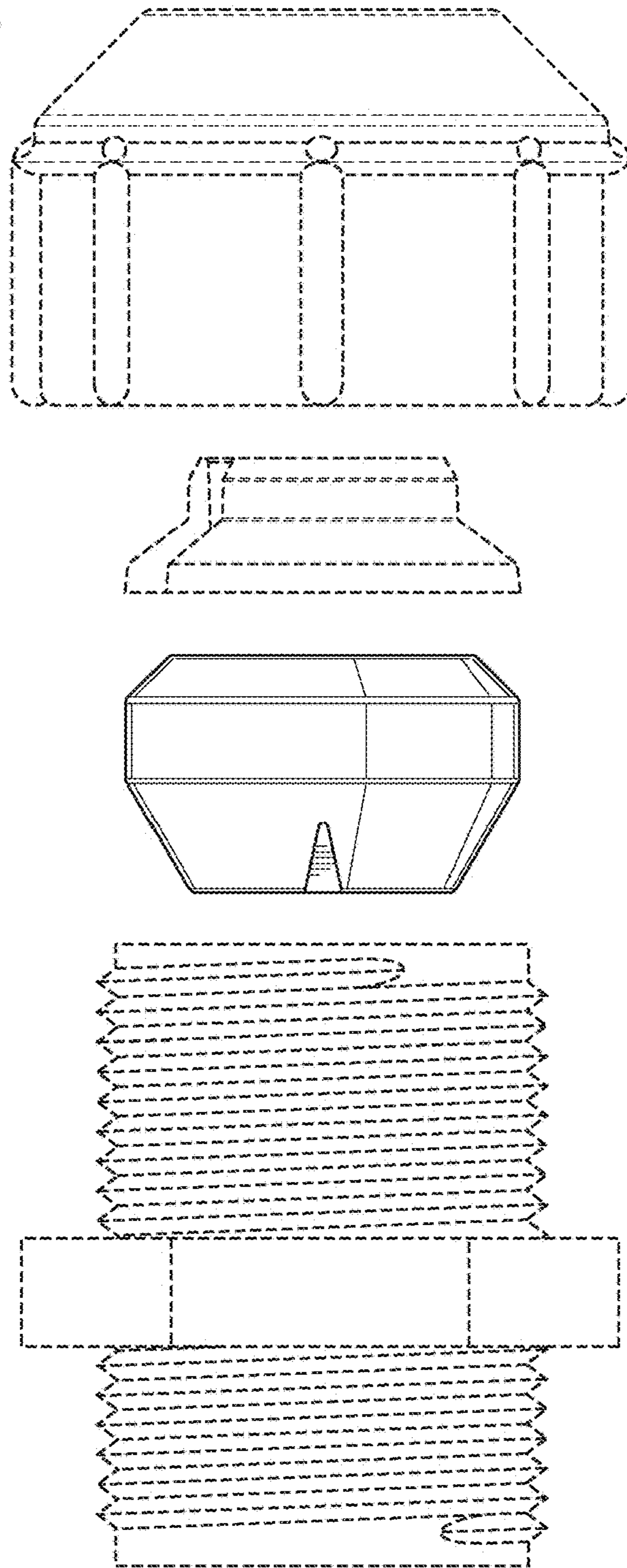


Fig. 9

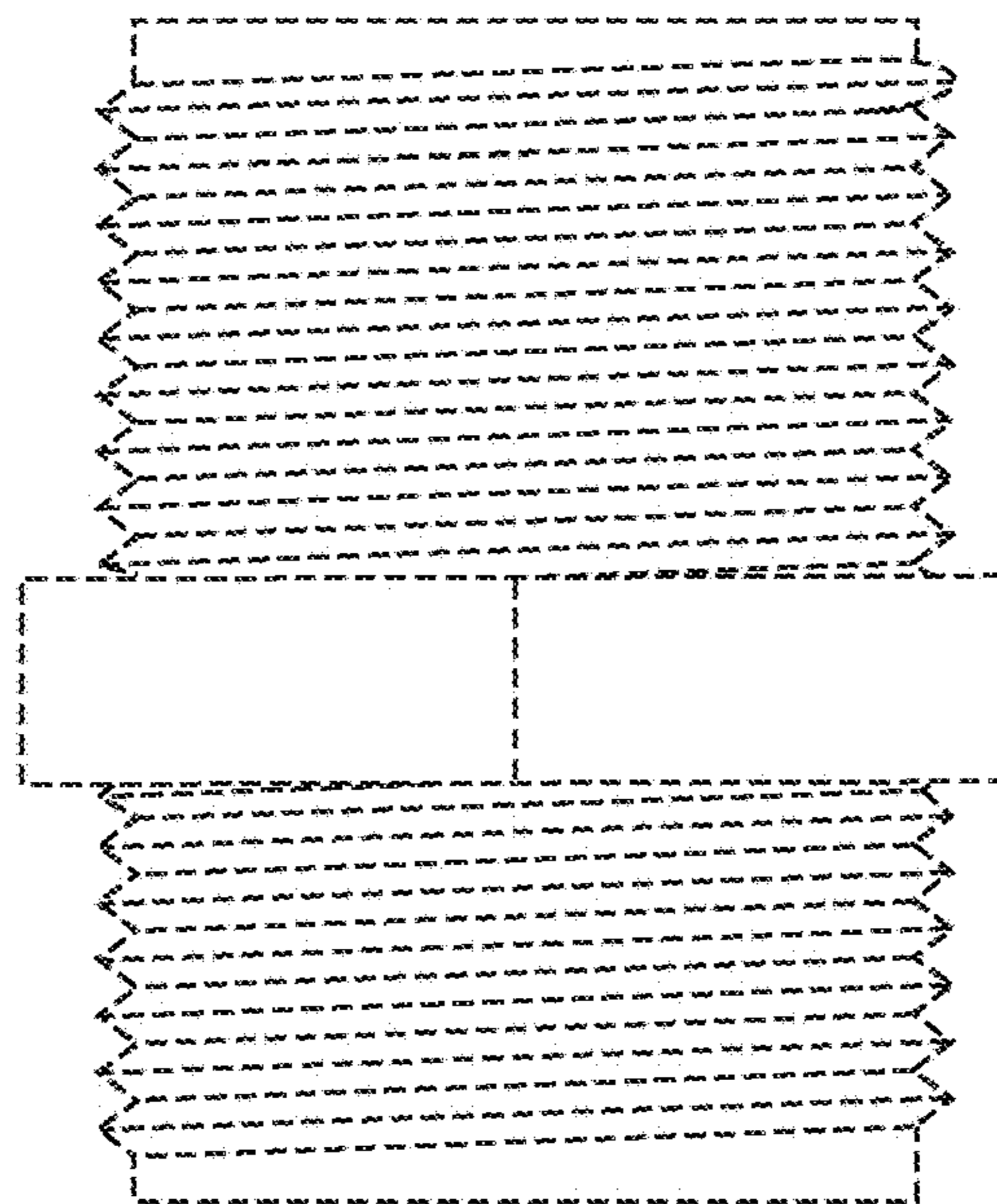
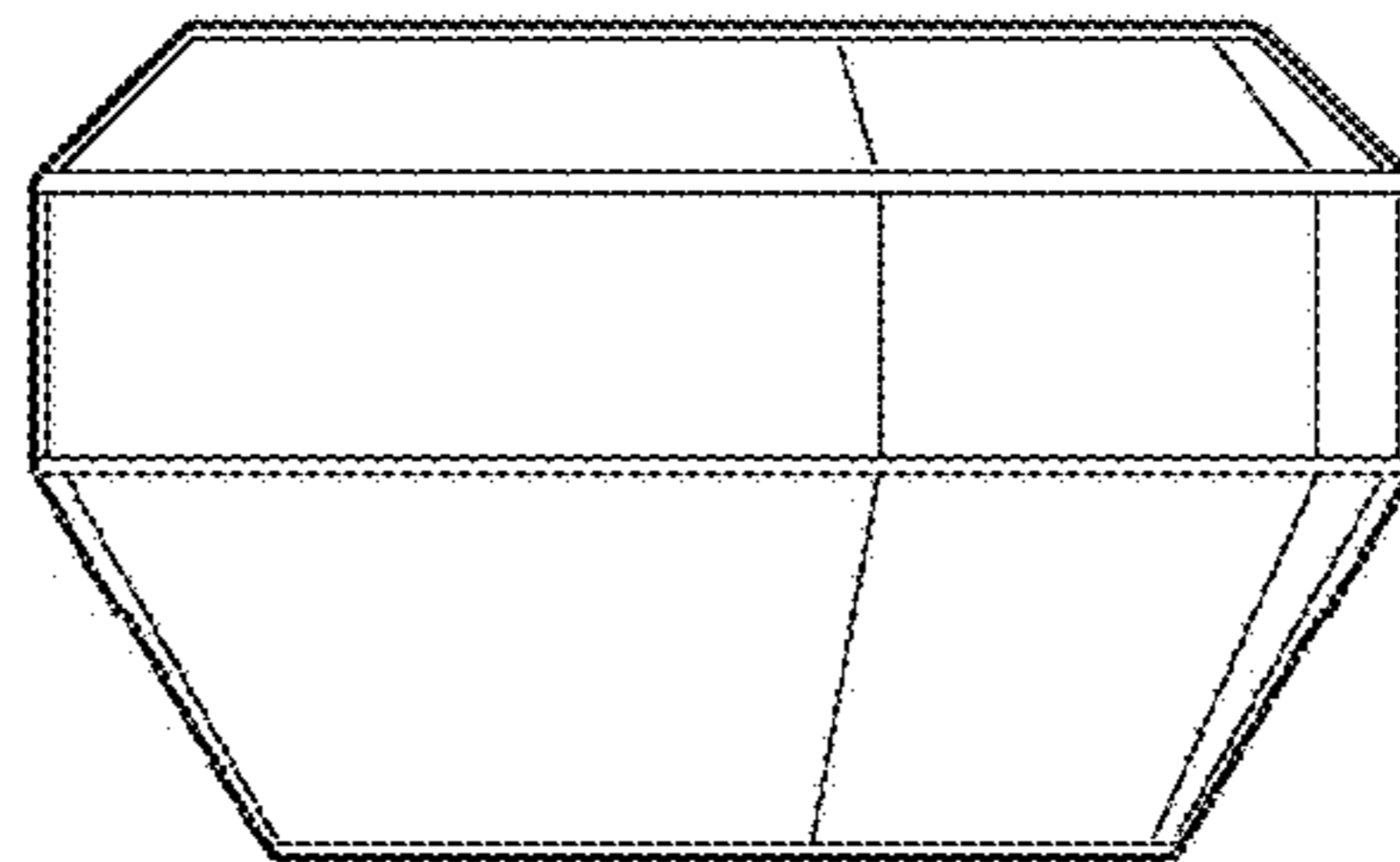
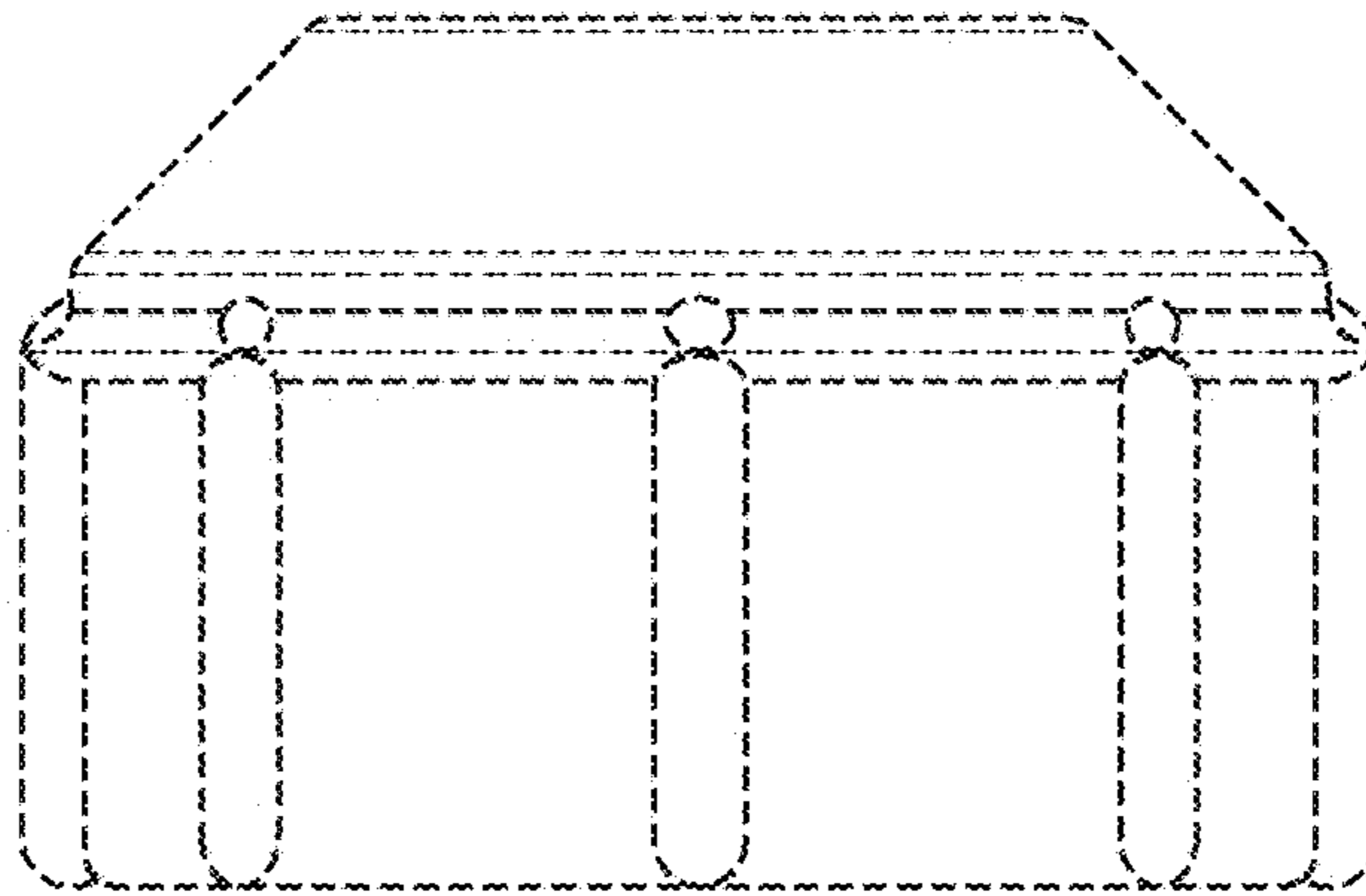


Fig. 10

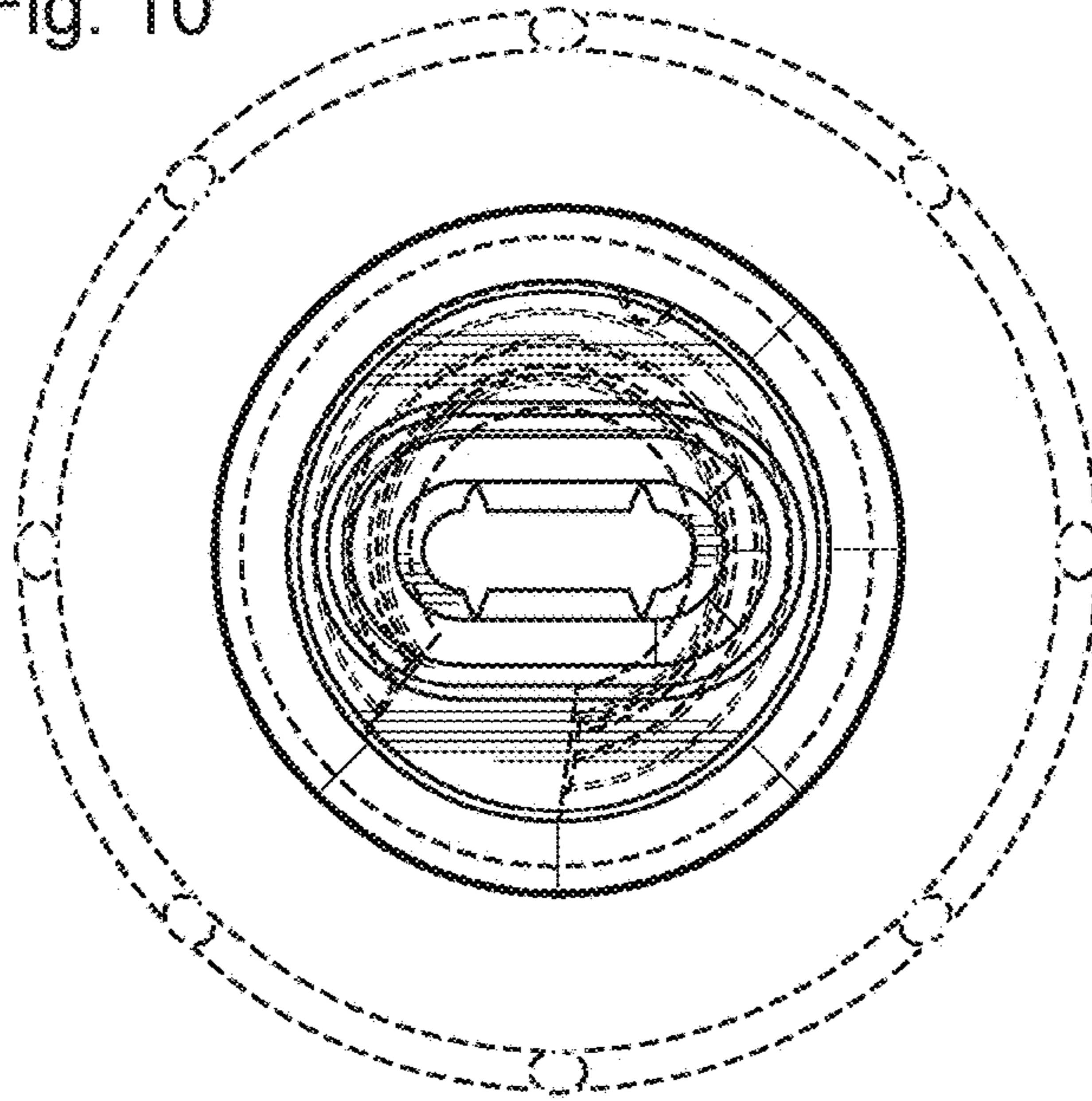


Fig. 11

