

US00D842074S

(12) **United States Design Patent**  
**Cabral Herrera**

(10) **Patent No.:** **US D842,074 S**  
(45) **Date of Patent:** **\*\* Mar. 5, 2019**

(54) **ELECTRONIC SENSOR AND KEY OPERATED LOCK**

(71) Applicant: **Roberto Abelardo Cabral Herrera**,  
Los Angeles, CA (US)

(72) Inventor: **Roberto Abelardo Cabral Herrera**,  
Los Angeles, CA (US)

(\*\*) Term: **15 Years**

(21) Appl. No.: **29/617,400**

(22) Filed: **Sep. 13, 2017**

**Related U.S. Application Data**

(63) Continuation-in-part of application No. 15/380,868,  
filed on Dec. 15, 2016, now Pat. No. 9,784,016.

(51) **LOC (11) Cl.** ..... **08-07**

(52) **U.S. Cl.**  
USPC ..... **D8/331**

(58) **Field of Classification Search**  
USPC ..... D8/330, 331-336, 338, 343, 347; 70/57,  
70/57.1, 14, 20-22, 91, 92, 102, 141,  
70/237, 272.2, 278.1, 278.7, 279.1, 416,  
70/465, 442, 443, 214, 447, 367;  
340/542, 547, 545.1, 545.7; 292/336.3,  
292/301-304, 358, 359  
CPC . E05B 9/00; E05B 9/08; E05B 13/103; E05B  
27/00; E05B 35/00; E05B 37/00; E05B  
41/00; E05B 49/00; E05B 51/00; E05B  
55/00; E05B 65/00; E05B 65/007; E05B  
15/0093

See application file for complete search history.

(56) **References Cited**

**U.S. PATENT DOCUMENTS**

1,126,417 A \* 1/1915 Dizmacsek ..... E05B 37/025  
70/20  
D470,390 S \* 2/2003 Ling ..... D8/334  
D470,746 S \* 2/2003 Gast ..... D8/346

D614,044 S \* 4/2010 Mouquet ..... D8/334  
D683,611 S \* 6/2013 Walter ..... D8/334  
D741,143 S \* 10/2015 Grainger ..... D8/334  
D746,659 S \* 1/2016 Stevens ..... D8/334  
9,495,820 B1 \* 11/2016 Li ..... E05B 67/00  
9,556,651 B1 \* 1/2017 Cabral Herrera ... E05B 47/0012  
9,784,016 B1 \* 10/2017 Cabral Herrera ... E05B 47/0012

(Continued)

**FOREIGN PATENT DOCUMENTS**

EP 0089192 A1 \* 9/1983 ..... E05B 37/025  
WO WO -2011149424 A1 \* 12/2011 ..... E05B 47/06  
WO WO -2015090164 A1 \* 6/2015 ..... E05B 37/10

*Primary Examiner* — R. Johnson

(74) *Attorney, Agent, or Firm* — Plager Schack LLP

(57) **CLAIM**

The ornamental design for an electronic sensor and key operated lock, as shown and described.

**DESCRIPTION**

FIG. 1 is a front, right perspective front view of an electronic sensor and key operated lock showing the new design in accordance with an embodiment;

FIG. 2 is a front view the electronic sensor and key operated lock of FIG. 1;

FIG. 3 is a rear view of the electronic sensor and key operated lock of FIG. 1;

FIG. 4 is a left, side view of the electronic sensor and key operated lock of FIG. 1;

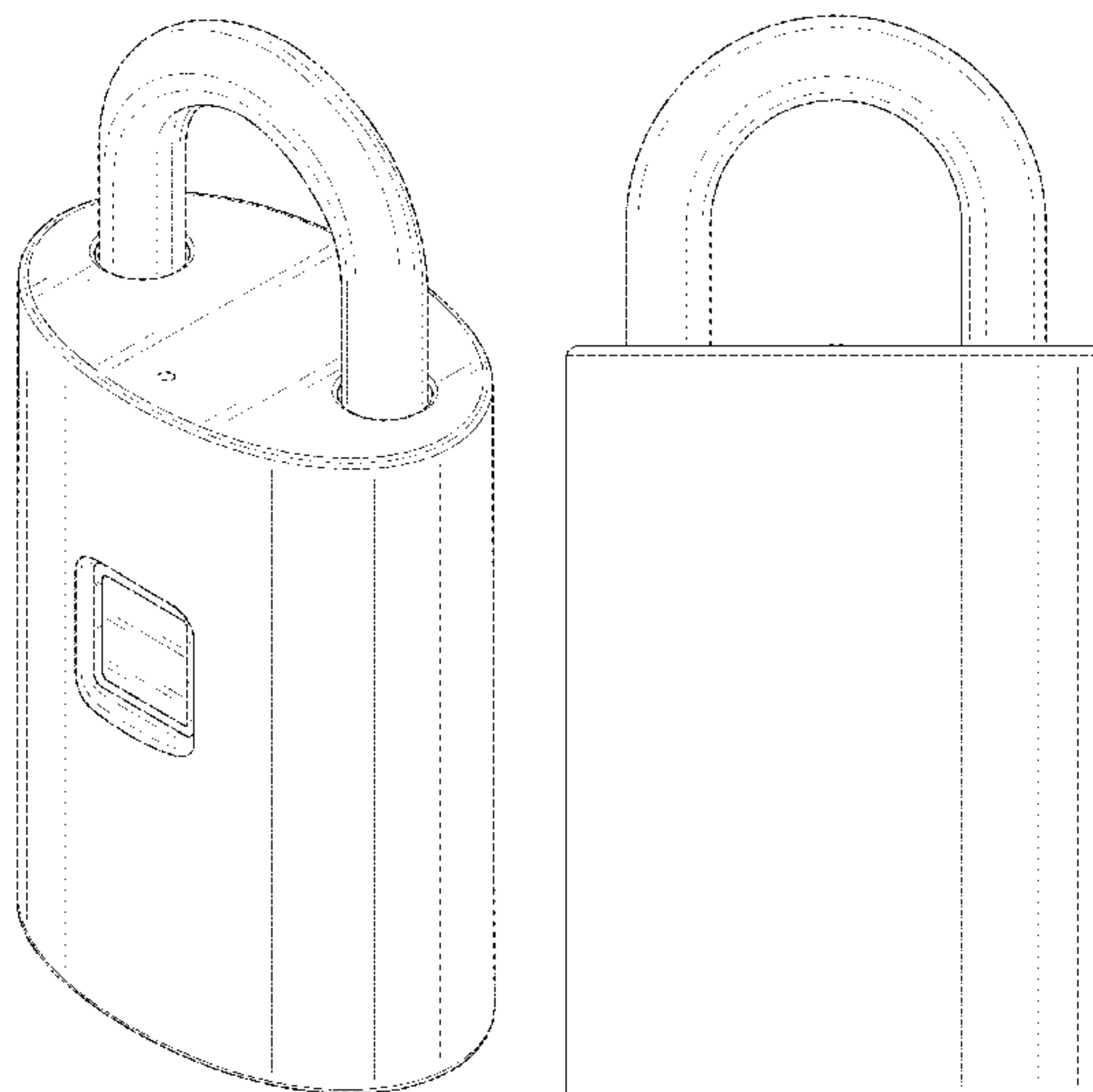
FIG. 5 is a right, side view of the electronic sensor and key operated lock of FIG. 1;

FIG. 6 is top view of the electronic sensor and key operated lock of FIG. 1; and,

FIG. 7 is a bottom view of the electronic sensor and key operated lock of FIG. 1.

The broken lines represent the portions of the electronic sensor and key operated lock that form no part of the claimed design.

**1 Claim, 6 Drawing Sheets**



(56)

**References Cited**

U.S. PATENT DOCUMENTS

D813,645 S *	3/2018	Nguyen	.....	D8/334
2007/0126551 A1 *	6/2007	Slevin	.....	E05B 67/00
				340/5.53
2014/0026626 A1 *	1/2014	Lai	.....	E05B 37/0034
				70/21
2014/0366592 A1 *	12/2014	Bao	.....	E05B 37/10
				70/25

\* cited by examiner

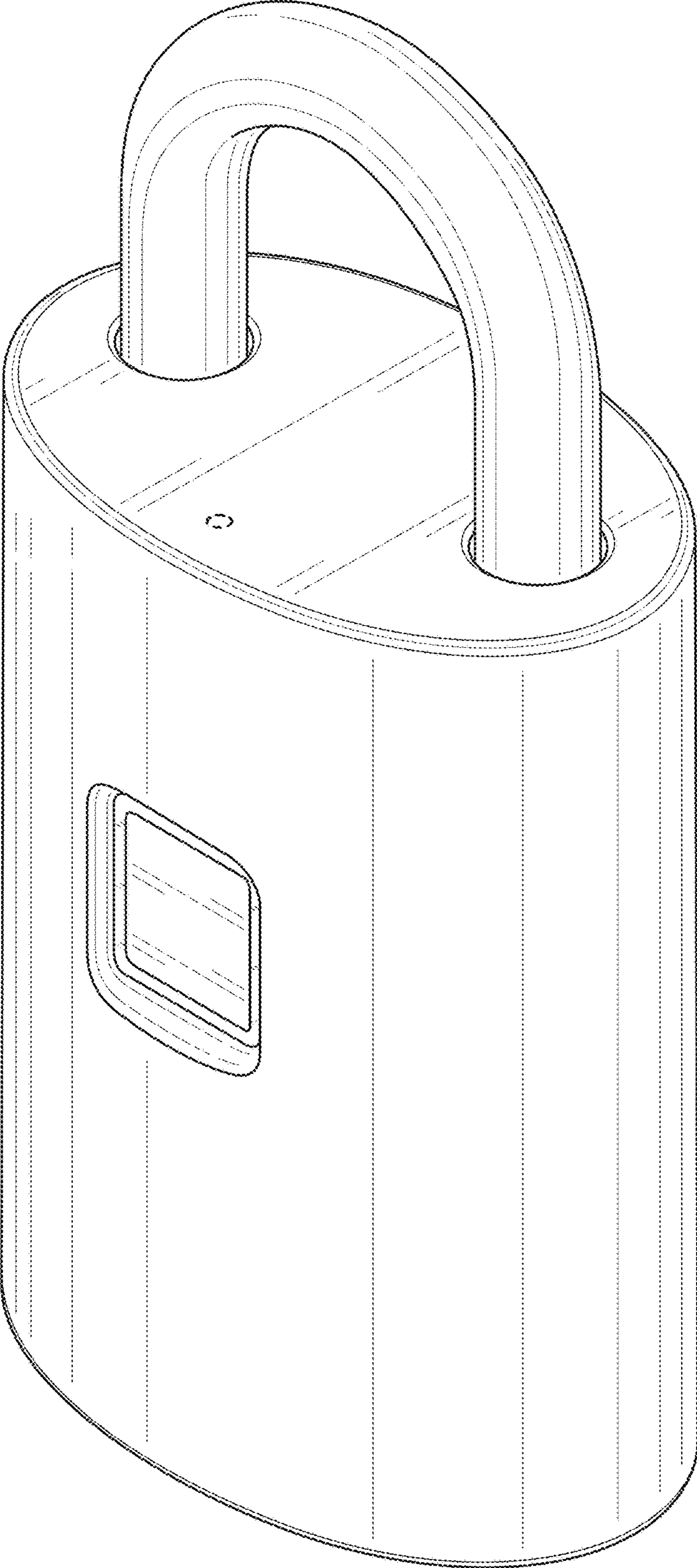


FIG. 1

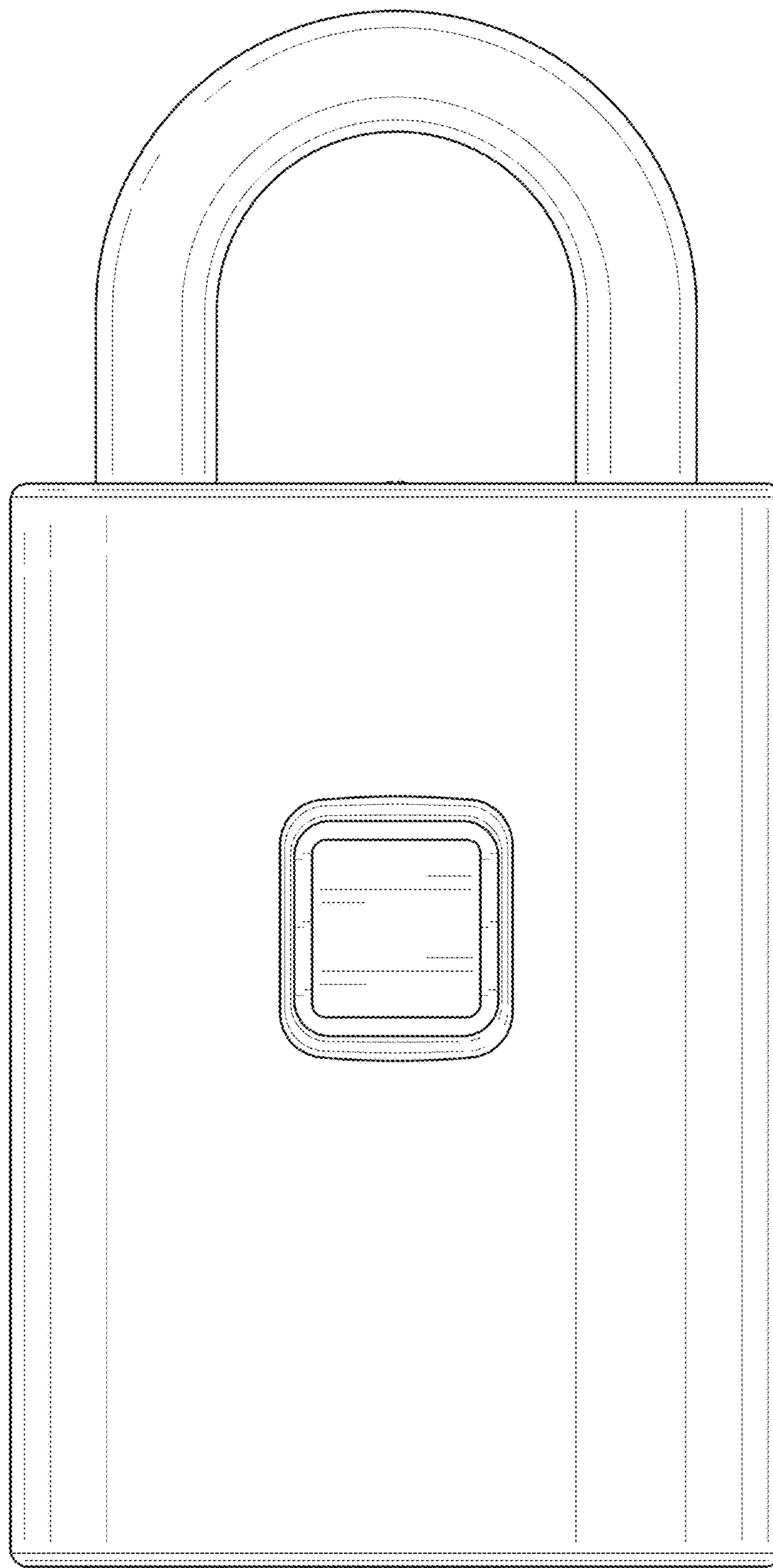


FIG. 2

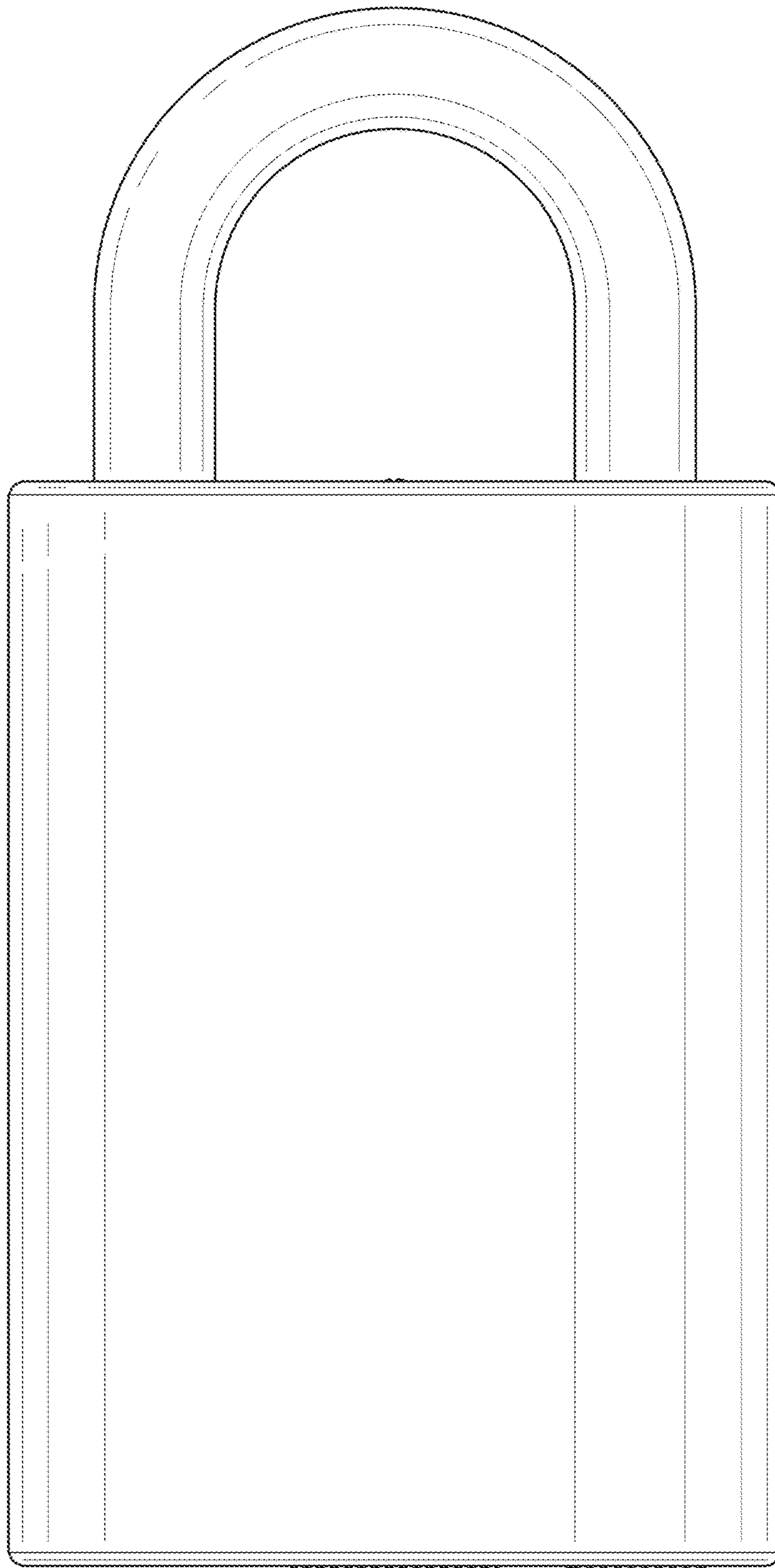


FIG. 3



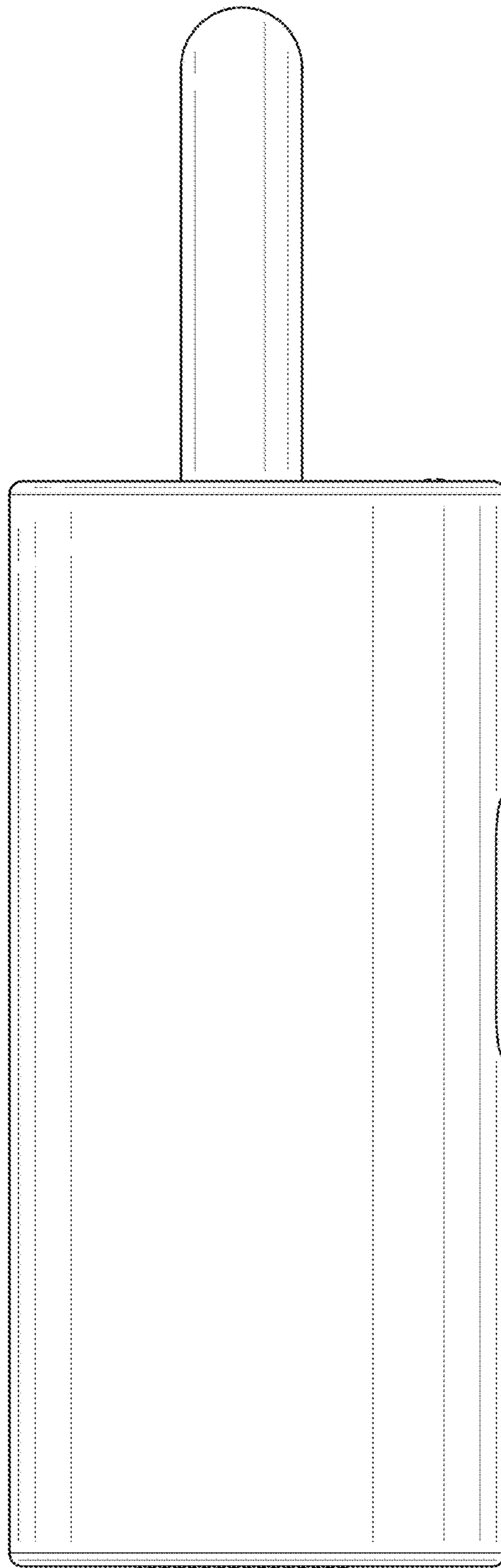


FIG. 4

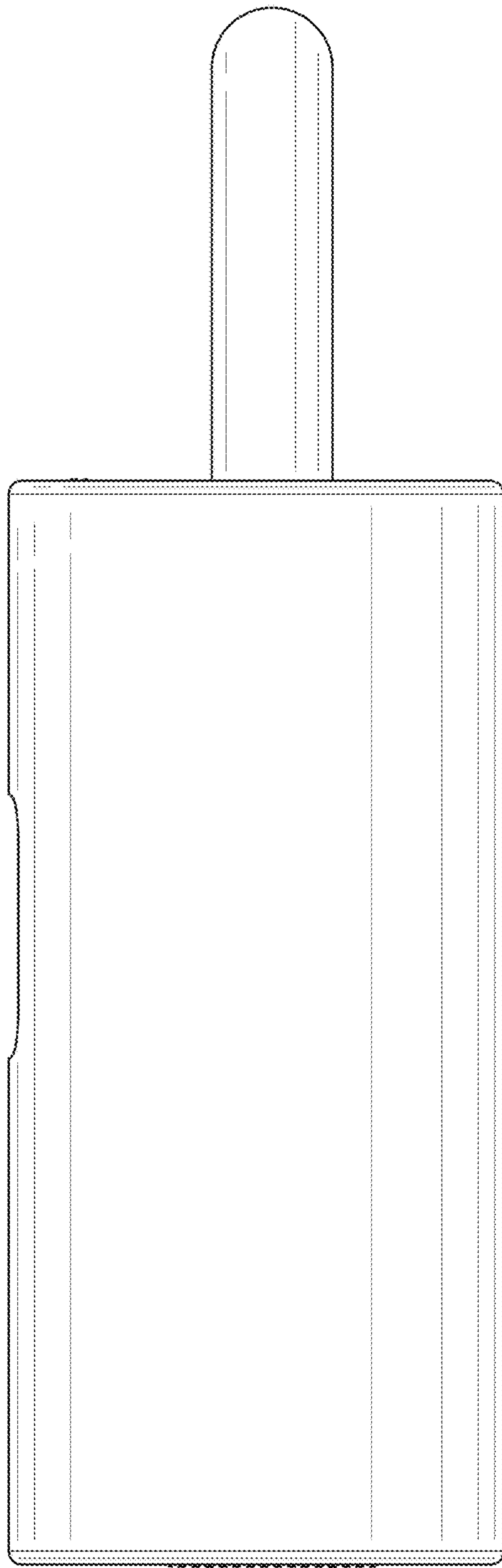


FIG. 5

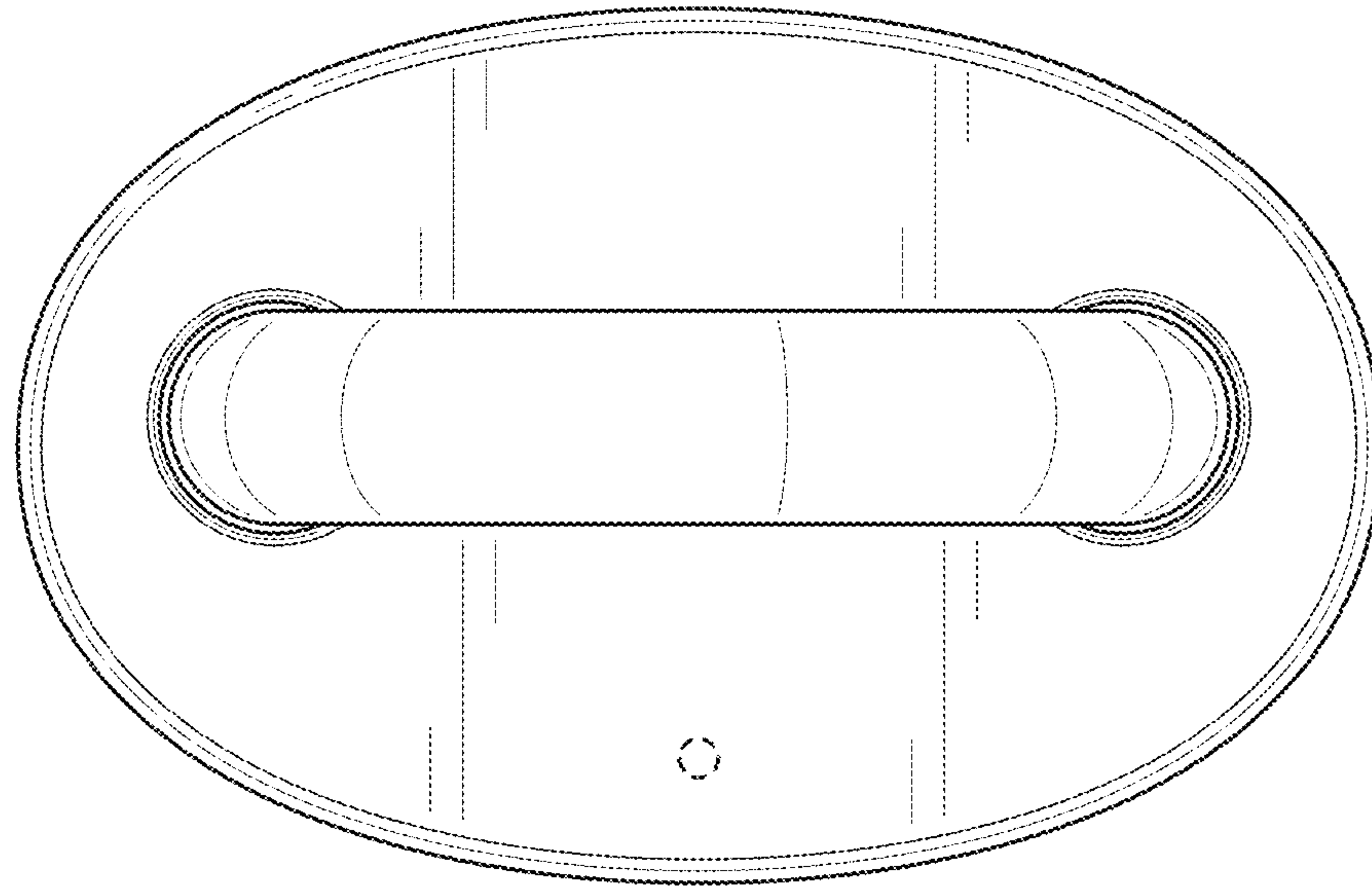


FIG. 6

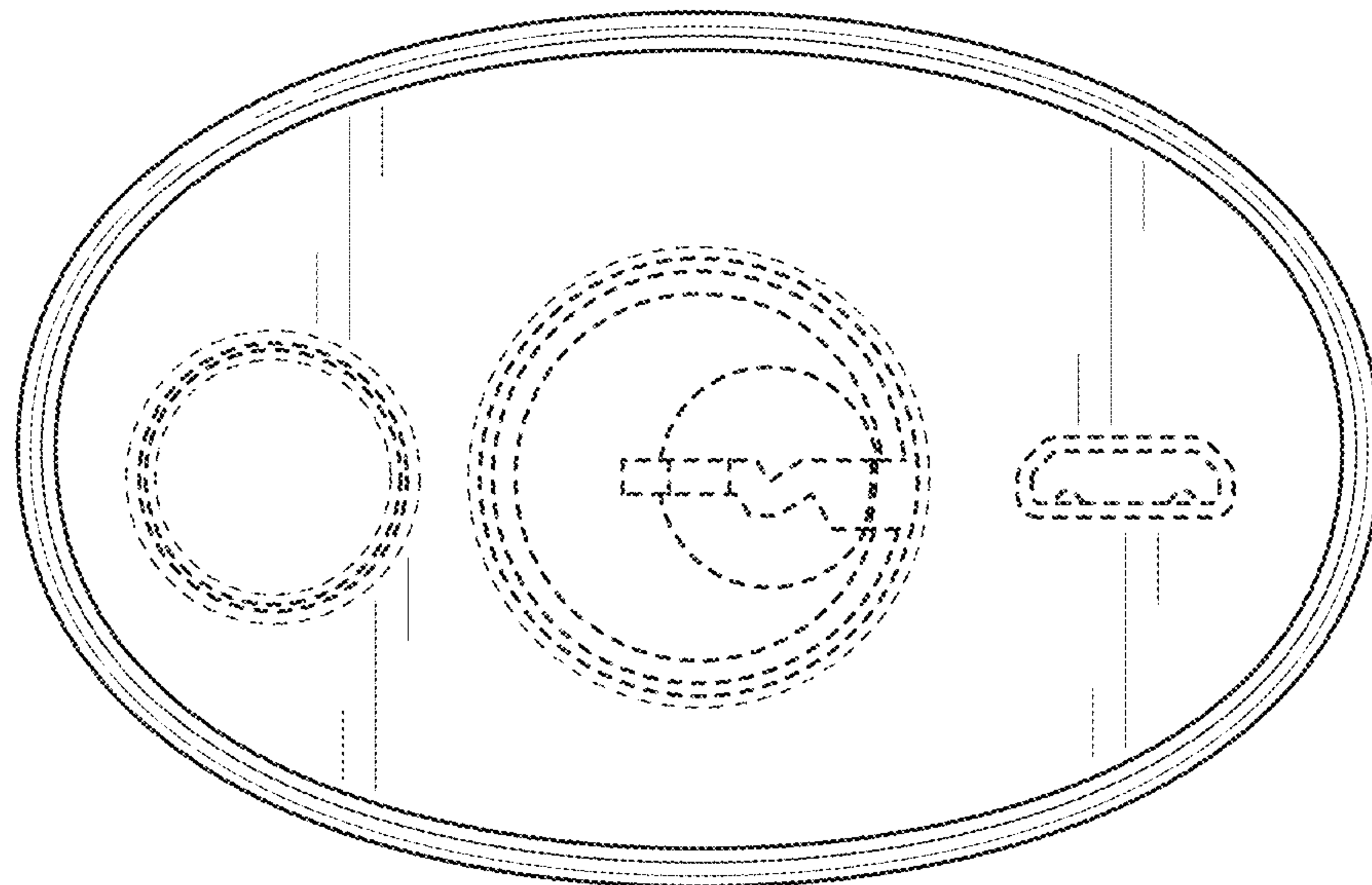


FIG. 7