



US00D842073S

(12) **United States Design Patent** (10) **Patent No.:** **US D842,073 S**
Minale et al. (45) **Date of Patent:** **** Mar. 5, 2019**

(54) **FURNITURE HANDLE**

E05B 1/0053; E05B 1/0015; Y10T 16/498; Y10T 16/458

See application file for complete search history.

(71) Applicant: **Buster and Punch Limited**, London (GB)

(56) **References Cited**

(72) Inventors: **Massimo Minale**, London (GB); **Iain Dulley**, Hampshire (GB)

U.S. PATENT DOCUMENTS

(73) Assignee: **Buster and Punch Limited**, London (GB)

D103,024	S	*	2/1937	Loewy	D8/316
D131,090	S	*	1/1942	Schlage	D8/312
4,347,758	A	*	9/1982	Geil	G05G 1/04 74/531
4,955,914	A	*	9/1990	Caniglia	A61J 17/02 606/235
D405,743	S	*	2/1999	Hussaini	D12/607
D445,735	S	*	7/2001	Sheu	D12/607
D471,075	S	*	3/2003	Fields	D8/316
D505,139	S	*	5/2005	Jackovin	D15/89

(**) Term: **15 Years**

(Continued)

(21) Appl. No.: **29/578,613**

(22) Filed: **Sep. 22, 2016**

OTHER PUBLICATIONS

(30) **Foreign Application Priority Data**

Pull Bar, Buster + Punch, posted at busterandpunch.com, date and author not listed © 2018 Buster + Punch, online, site visited Apr. 16, 2018. Available from Internet, URL: <https://www.busterandpunch.com/hardware/pull-bar/pull-bar-black> (Year: 2018).*

Sep. 20, 2016	(EM)	003386952-0001
Sep. 20, 2016	(EM)	003386952-0002
Sep. 20, 2016	(EM)	003386952-0003
Sep. 20, 2016	(EM)	003386952-0004
Sep. 20, 2016	(EM)	003386952-0005
Sep. 20, 2016	(EM)	003386952-0006
Sep. 20, 2016	(EM)	003386952-0007
Sep. 20, 2016	(EM)	003386952-0008
Sep. 20, 2016	(EM)	003386952-0009

Primary Examiner — Shannon W Morgan
Assistant Examiner — Altaira J Swangin
(74) *Attorney, Agent, or Firm* — Dascenzo Intellectual Property Law, P.C.; David S. D'Ascenzo

(51) **LOC (11) Cl.** **08-06**

(57) **CLAIM**

The ornamental design for a furniture handle, as shown and described.

(52) **U.S. Cl.**

USPC **D8/315**

DESCRIPTION

(58) **Field of Classification Search**

USPC D8/310, 312, 315-320, 300; 248/207; D15/89, 142; D3/300, 317-319; D23/250; D7/349, 350.1; 292/336.3; 16/412, 415, 443; 211/123
CPC A47K 3/003; A47K 17/022; A47K 17/024;

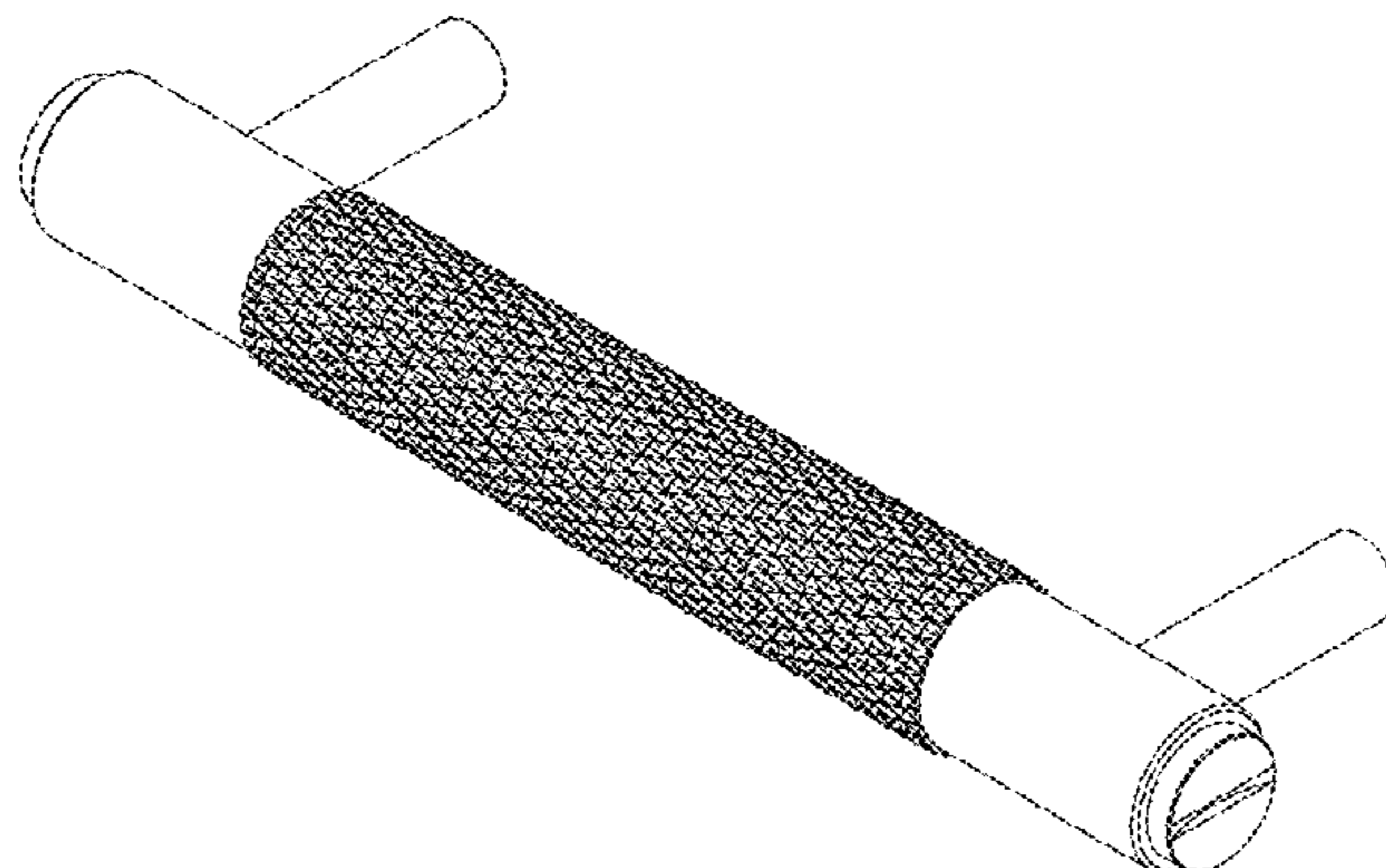
FIG. 1 is a top, front, right isometric view of a furniture handle, showing the design according to the present disclosure.

FIG. 2 is a left side elevation view of the design of FIG. 1 with the right side being a mirror image thereof.

FIG. 3 is a front side elevation view of the design of FIG. 1 with the rear side being a mirror image thereof; and,

FIG. 4 is a top plan view of the design of FIG. 1.

(Continued)



The portions of the bottom of the design, not seen in the drawings, form no part of the claimed design.

1 Claim, 4 Drawing Sheets

(56)

References Cited

U.S. PATENT DOCUMENTS

D513,237 S *	12/2005	Langner	D13/174
D563,007 S *	2/2008	Opolka	D26/49
D564,336 S *	3/2008	McConnell	D8/316
D564,854 S *	3/2008	Thompson	D8/300
D768,626 S *	10/2016	Mikelson	D14/300
D776,628 S *	1/2017	Minale	D13/169
9,683,771 B2 *	6/2017	Anselmino	F25C 5/22
9,726,422 B2 *	8/2017	Tunzi	F25D 25/02
D798,396 S *	9/2017	Agate	D21/679
9,765,527 B2 *	9/2017	Hart	A47K 17/022
D801,289 S *	10/2017	Minale	D13/169
D809,169 S *	1/2018	Grandadam	D26/38
D829,076 S *	9/2018	Dulley	D8/310
2005/0211696 A1 *	9/2005	Adamski	A47J 39/00 219/400
2006/0086127 A1 *	4/2006	Anselmino	F25C 5/22 62/340
2014/0096761 A1 *	4/2014	Brantley	F24C 15/12 126/39 M
2014/0210331 A1 *	7/2014	Tunzi	F25D 25/00 312/404

* cited by examiner

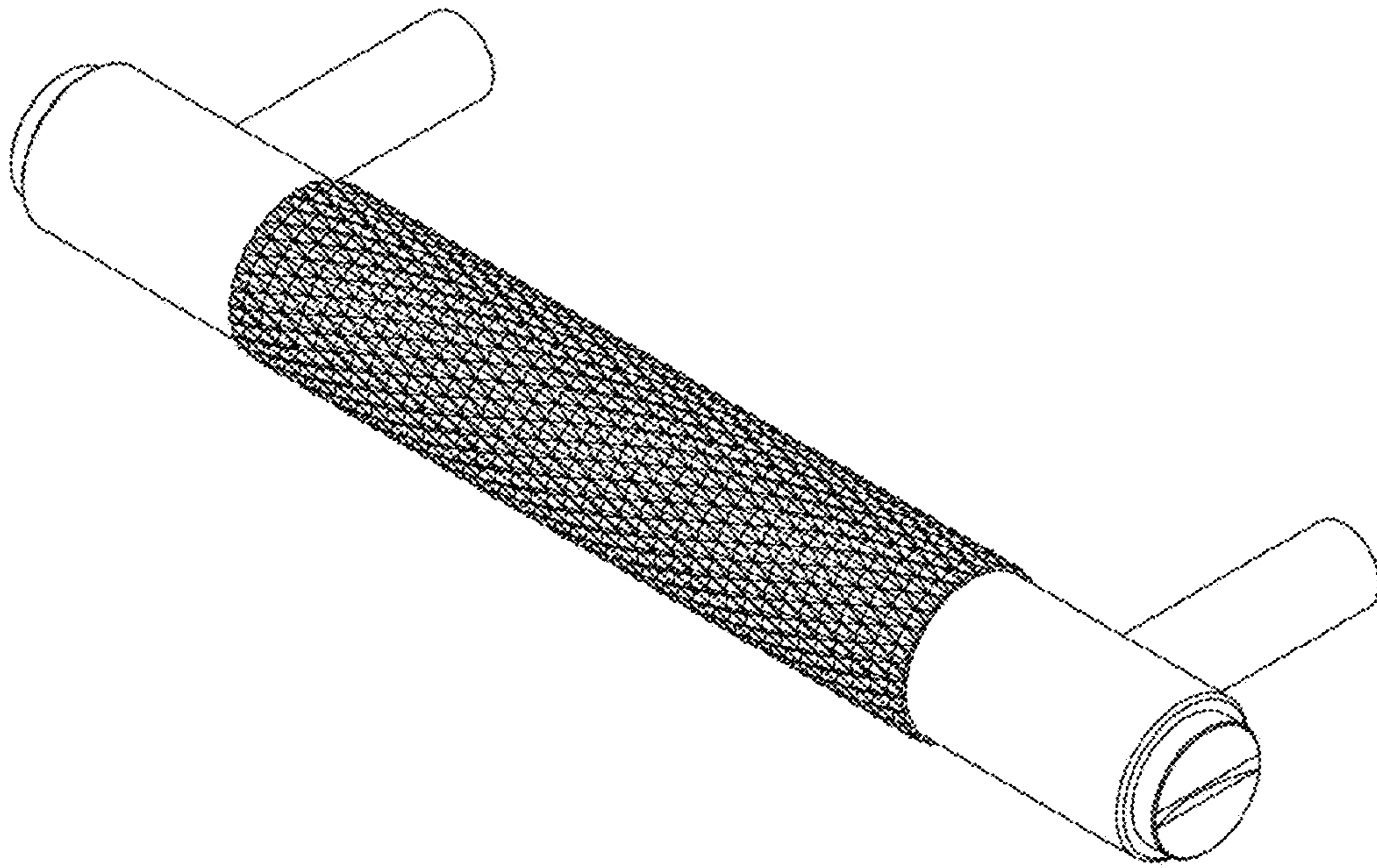


Fig. 1

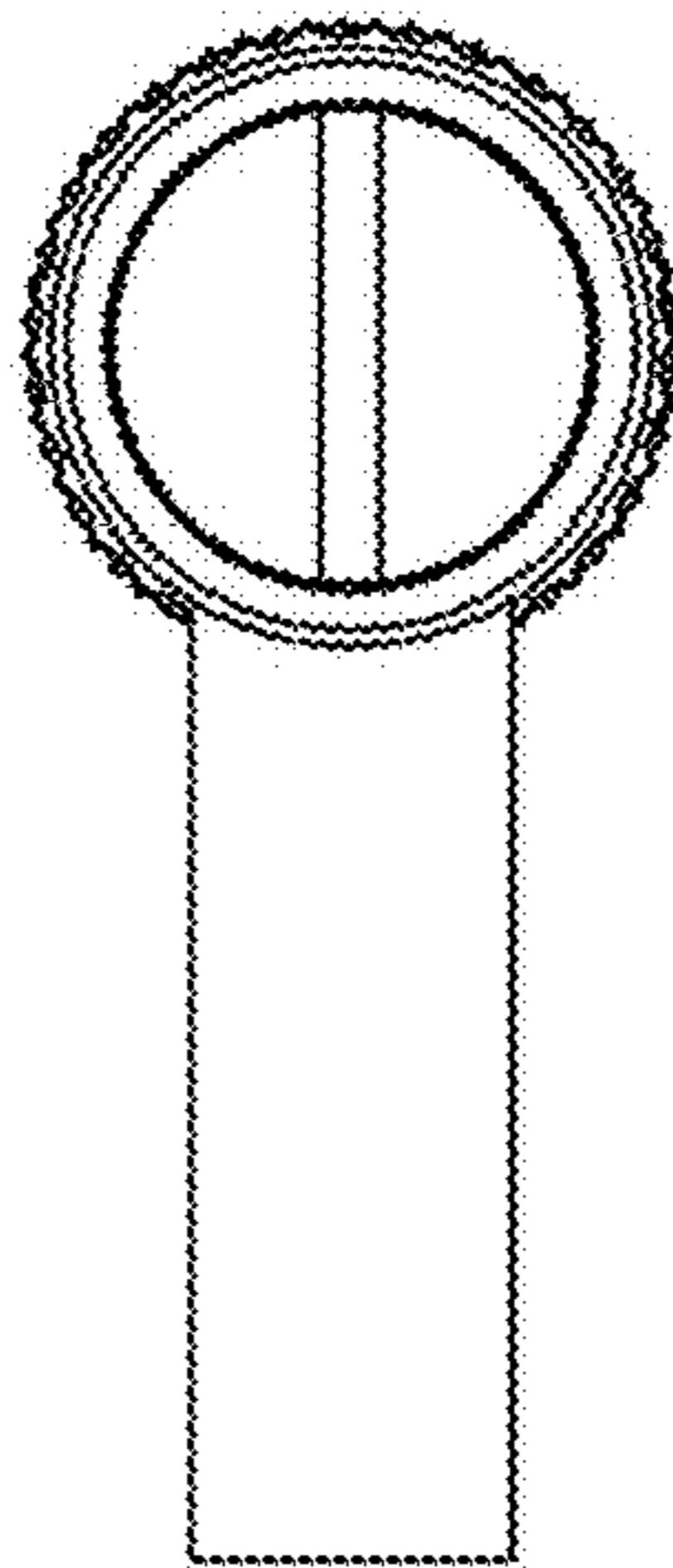


Fig. 2

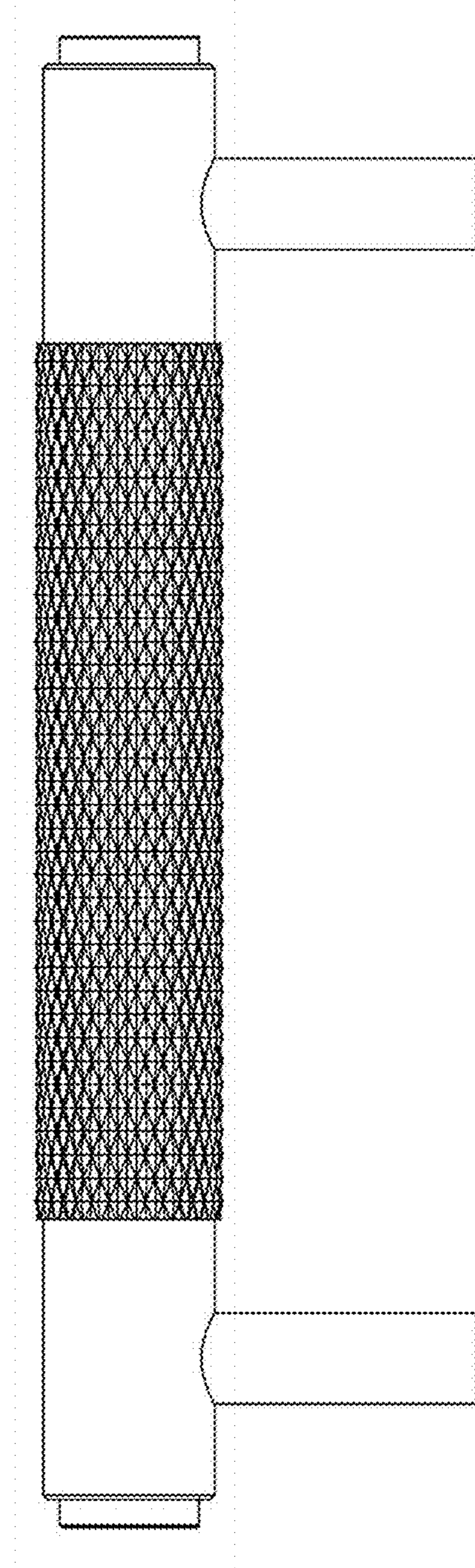


Fig. 3

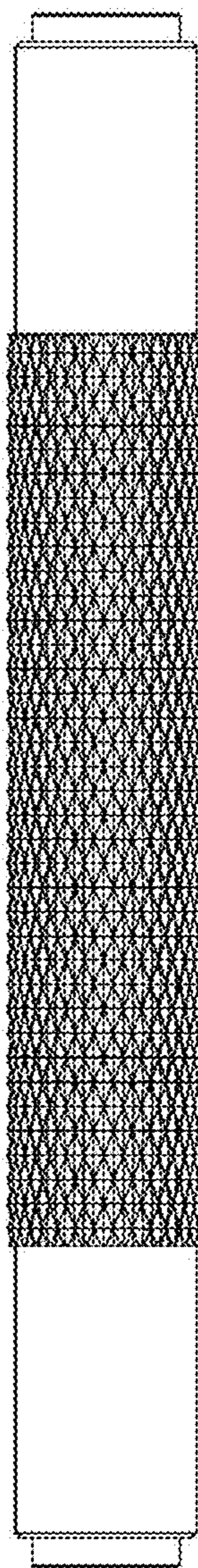


Fig. 4