

US00D842071S

(12) **United States Design Patent**  
**Andersson**

(10) **Patent No.:** **US D842,071 S**

(45) **Date of Patent:** **\*\* Mar. 5, 2019**

- (54) **KNOB**
- (71) Applicant: **FUMEX AB**, Skellefteå (SE)
- (72) Inventor: **Patrik Andersson**, Skellefteå (SE)
- (73) Assignee: **FUMEX AB**, Skellefteå (SE)
- (\*\*) Term: **15 Years**
- (21) Appl. No.: **29/600,194**
- (22) Filed: **Apr. 10, 2017**

5,605,176	A *	2/1997	Herzberger	.....	F16K 37/0008
					116/215
6,260,819	B1 *	7/2001	Ovsepyan	.....	F16K 35/025
					251/95
D493,870	S *	8/2004	Croft	.....	D23/250
6,886,585	B1 *	5/2005	King, Jr.	.....	G05G 1/10
					137/236.1
7,011,291	B2 *	3/2006	Miklo	.....	F16K 31/60
					137/382
D525,513	S *	7/2006	Anderson	.....	D8/307
D646,950	S *	10/2011	Going	.....	D8/307
9,228,682	B1 *	1/2016	Rocheleau	.....	F16L 23/0283
D791,568	S *	7/2017	Ferrise	.....	D8/311
D810,879	S *	2/2018	Sato	.....	D23/249
2012/0007006	A1 *	1/2012	Chen	.....	F16K 27/067
					251/228

(30) **Foreign Application Priority Data**

Oct. 9, 2016 (CN) ..... 131750818

(51) **LOC (11) Cl.** ..... **08-06**

(52) **U.S. Cl.**  
USPC ..... **D8/307**

(58) **Field of Classification Search**  
USPC ..... D8/300, 307, 308, 309, 310, 311;  
D23/250, 252; D7/393, 394, 395  
CPC ..... Y10T 74/2084; Y10T 137/8225; Y10T  
16/506; Y10T 16/46; Y10T 292/57; Y10T  
137/86863; Y10T 292/82; Y10T  
137/87627; Y10T 137/87804; Y10T  
16/459; Y10S 16/30; Y10S 292/12; F16K  
35/027; F16K 37/0008

See application file for complete search history.

(56) **References Cited**

**U.S. PATENT DOCUMENTS**

3,303,717	A *	2/1967	Valenti	.....	G05G 1/10
					411/509
D302,243	S *	7/1989	Gonzalez	.....	D8/398

\* cited by examiner

*Primary Examiner* — Lauren R Calve

(74) *Attorney, Agent, or Firm* — Marshall, Gerstein & Borun LLP

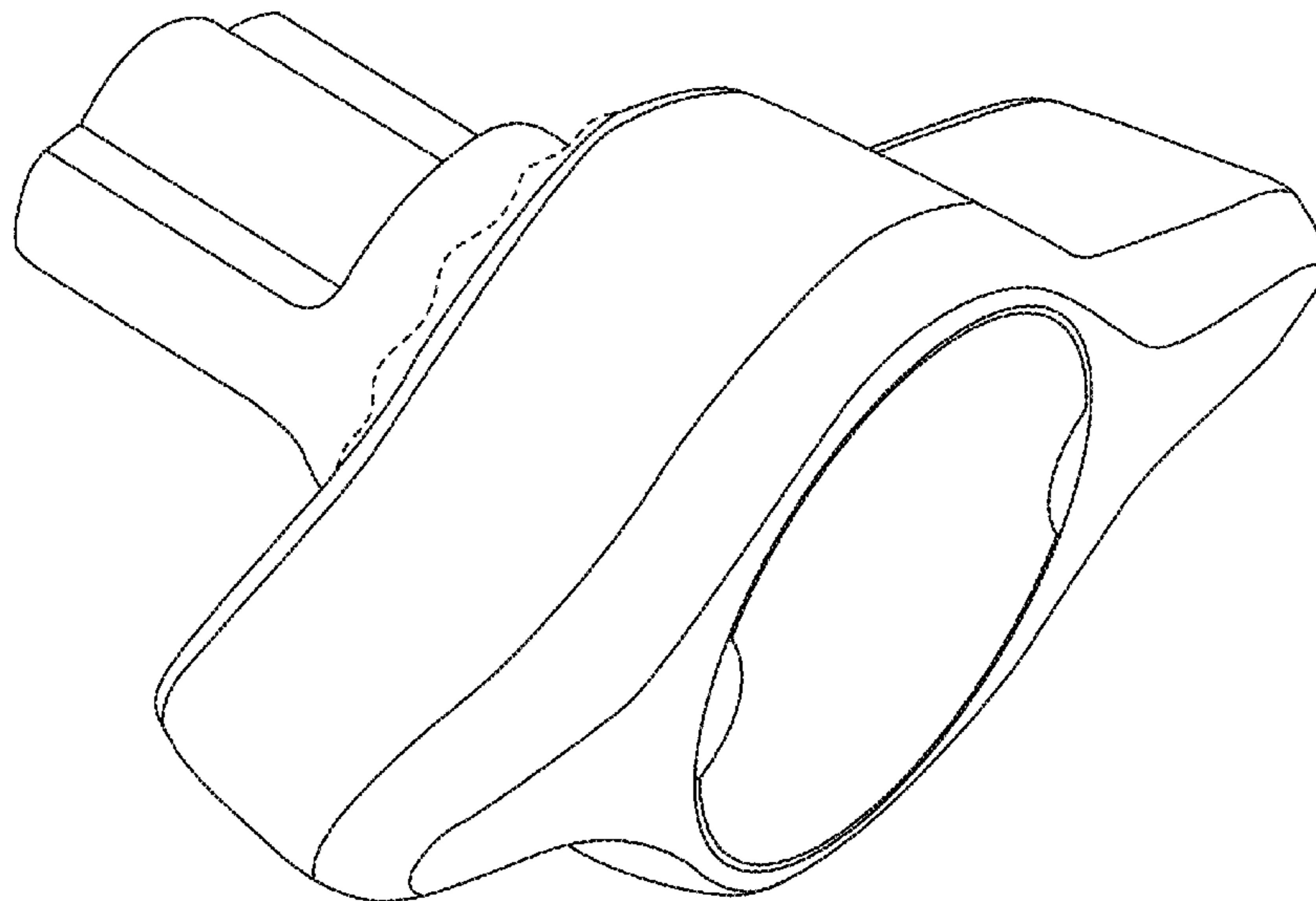
(57) **CLAIM**

The ornamental design for a knob, as shown and described.

**DESCRIPTION**

FIG. 1 is a perspective view showing a new design for a knob;  
 FIG. 2 is a left-side view of the knob of FIG. 1;  
 FIG. 3 is a right-side view of the knob of FIG. 1;  
 FIG. 4 is a rear view of the knob of FIG. 1;  
 FIG. 5 is a front view of the knob of FIG. 1;  
 FIG. 6 is a top view of the knob of FIG. 1; and,  
 FIG. 7 is a bottom view of the knob of FIG. 1.  
 The broken lines shown are included for the purpose of illustrating subject matter that forms no part of the claimed design.

**1 Claim, 7 Drawing Sheets**



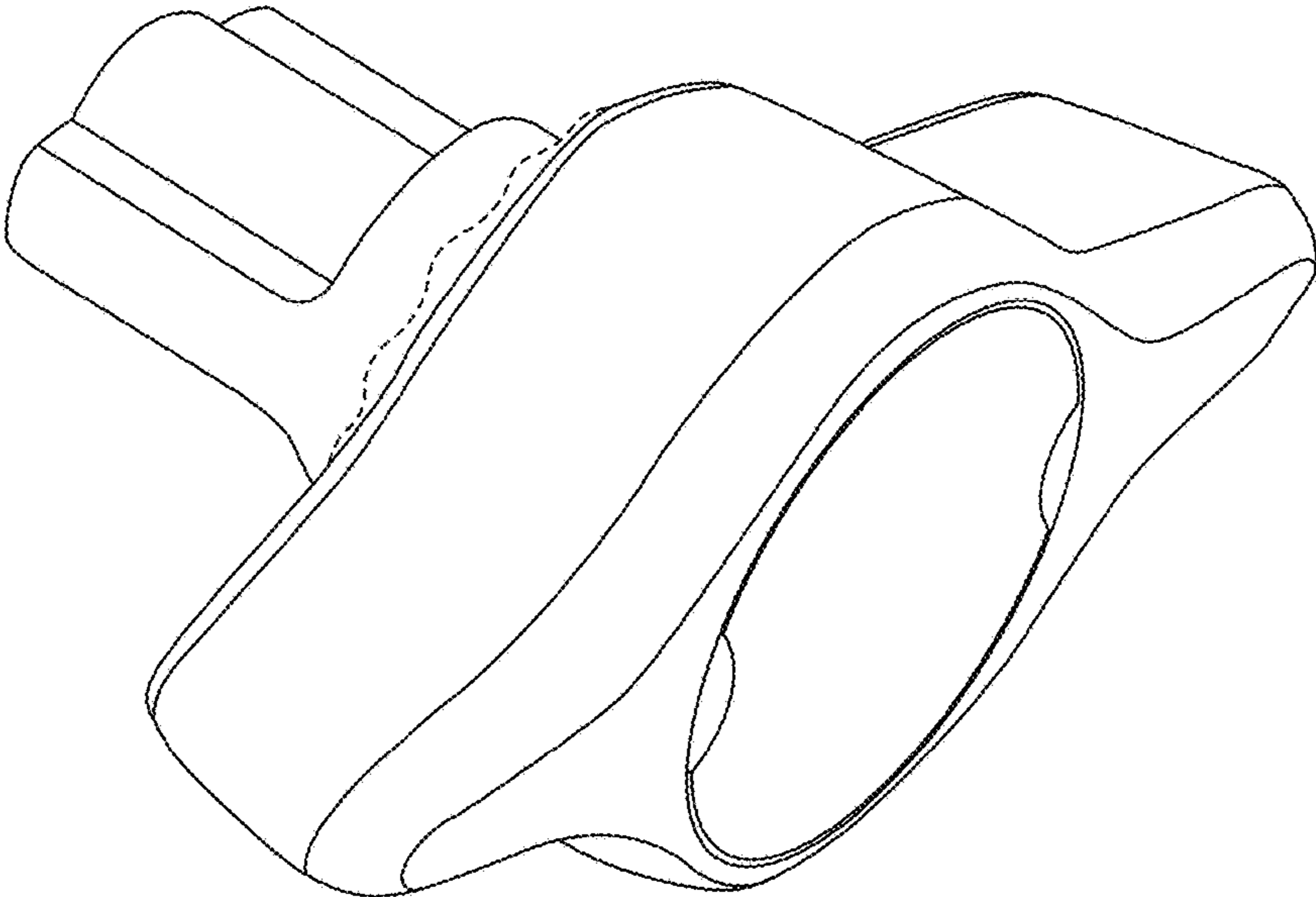


FIG. 1

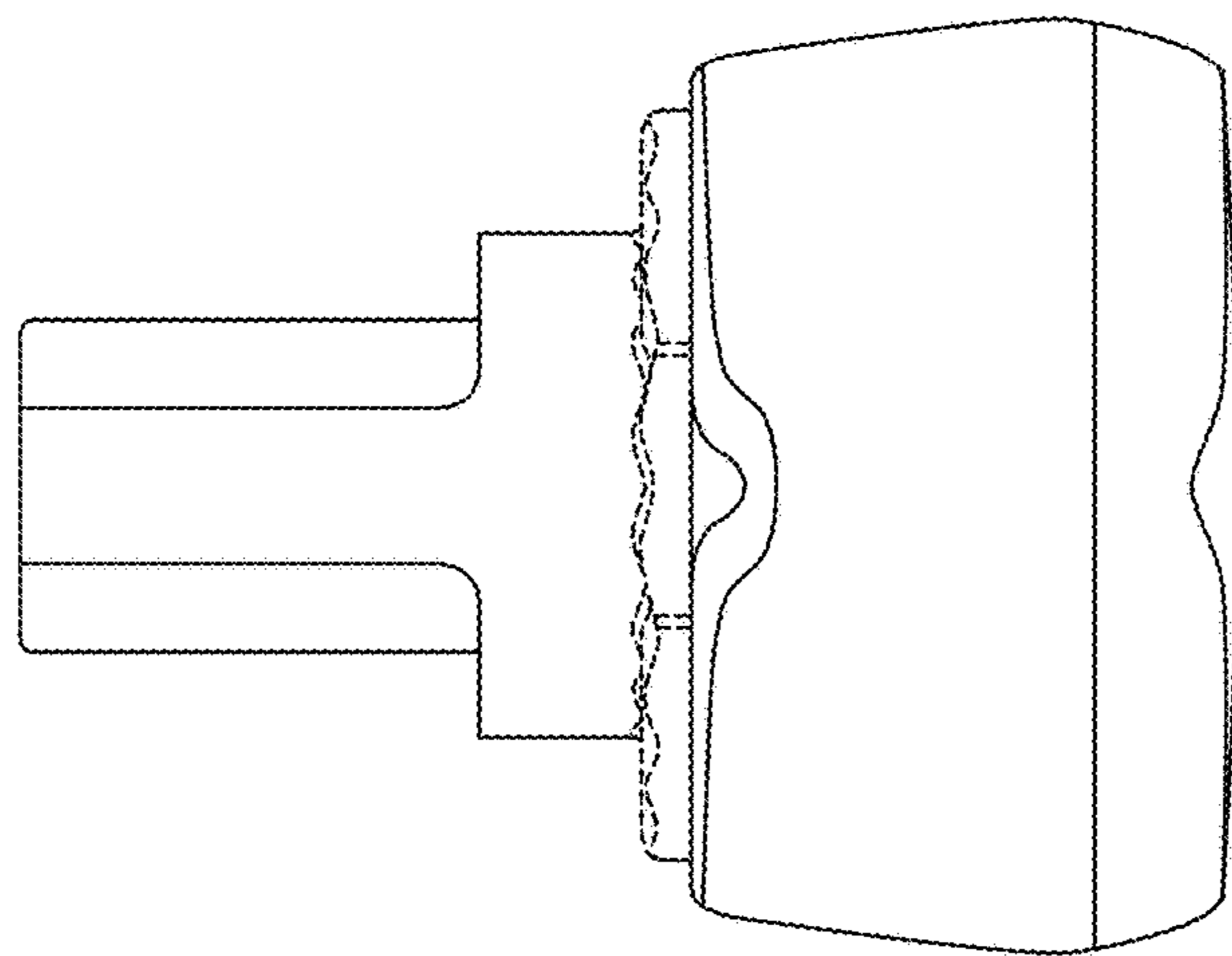


FIG. 2

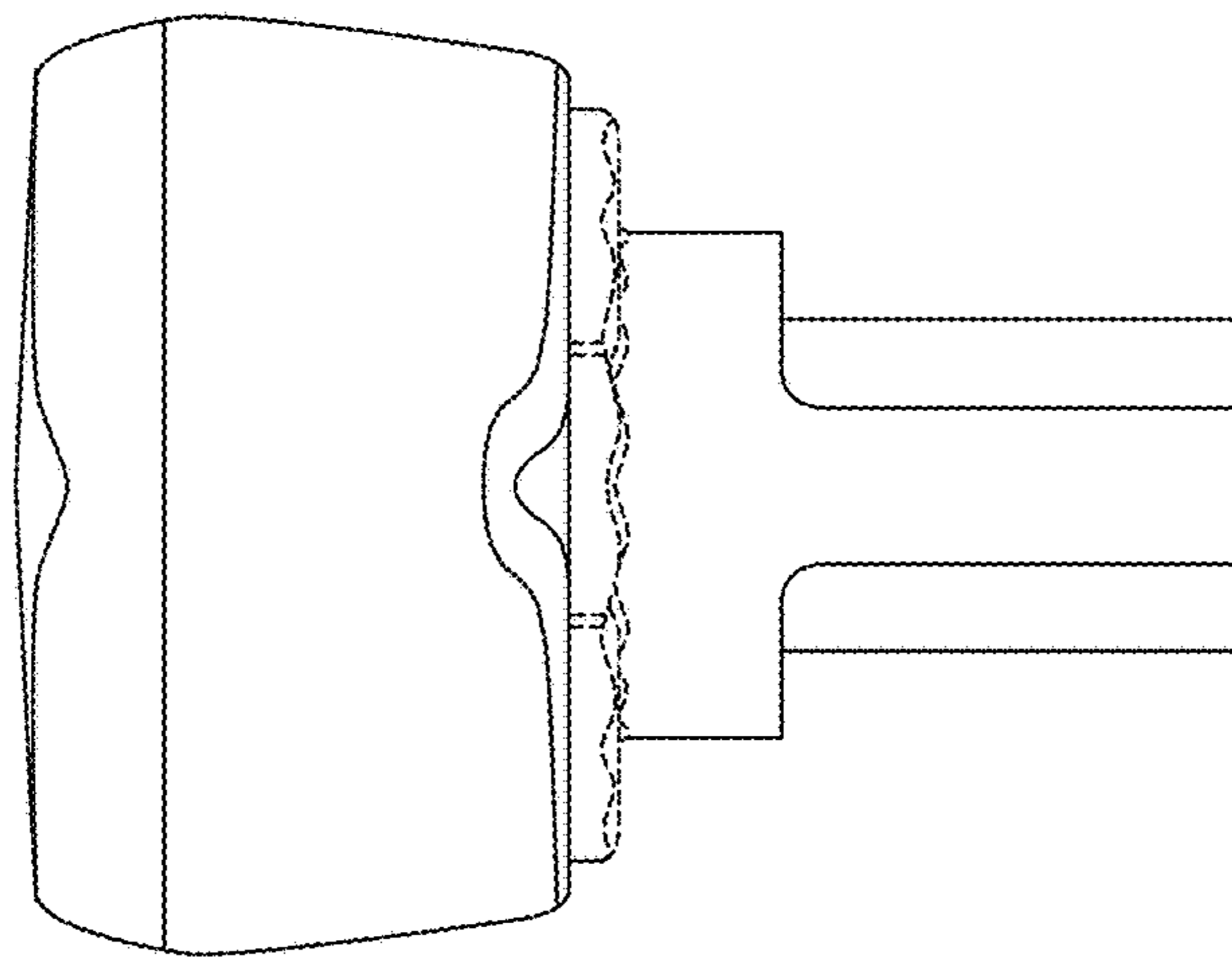


FIG. 3

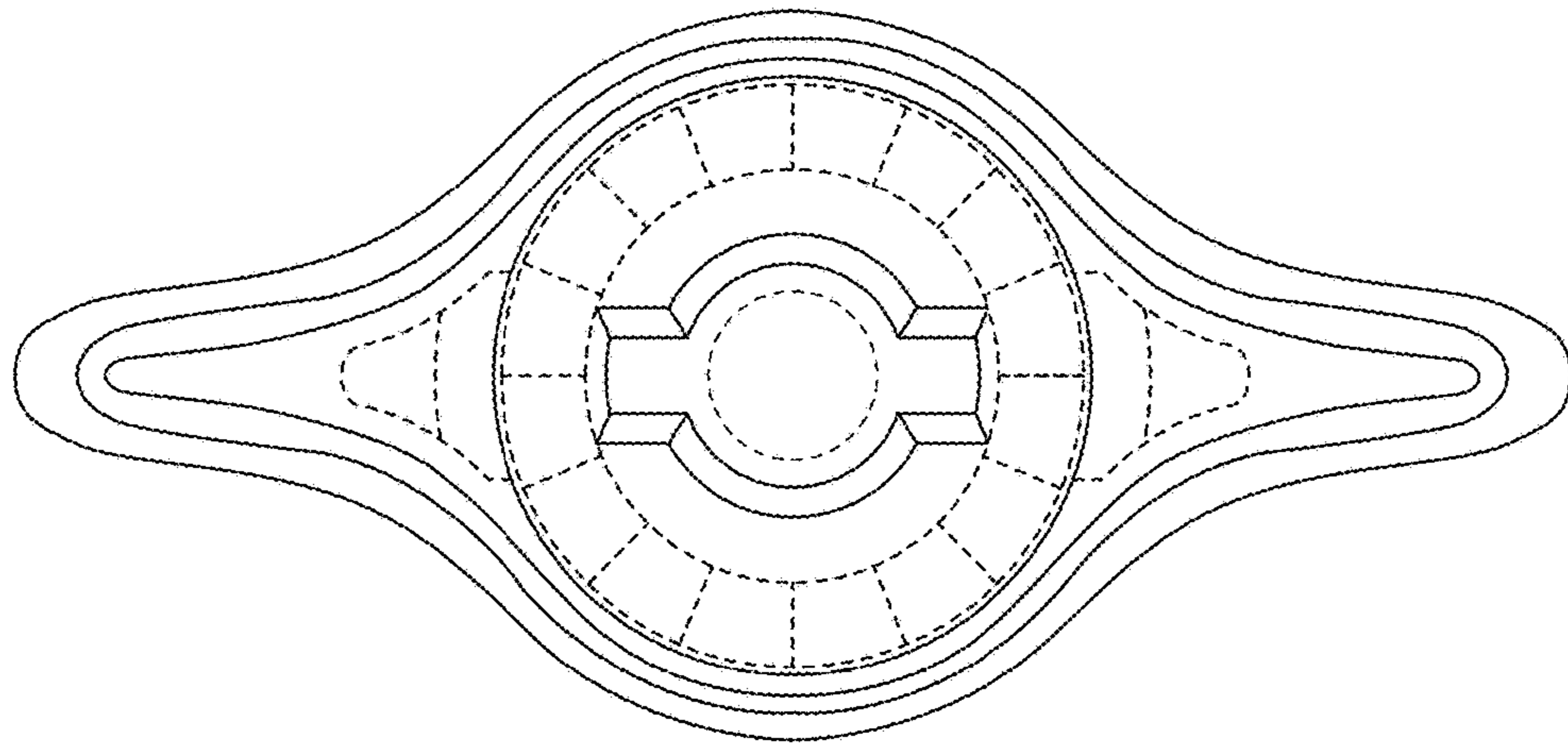


FIG. 4

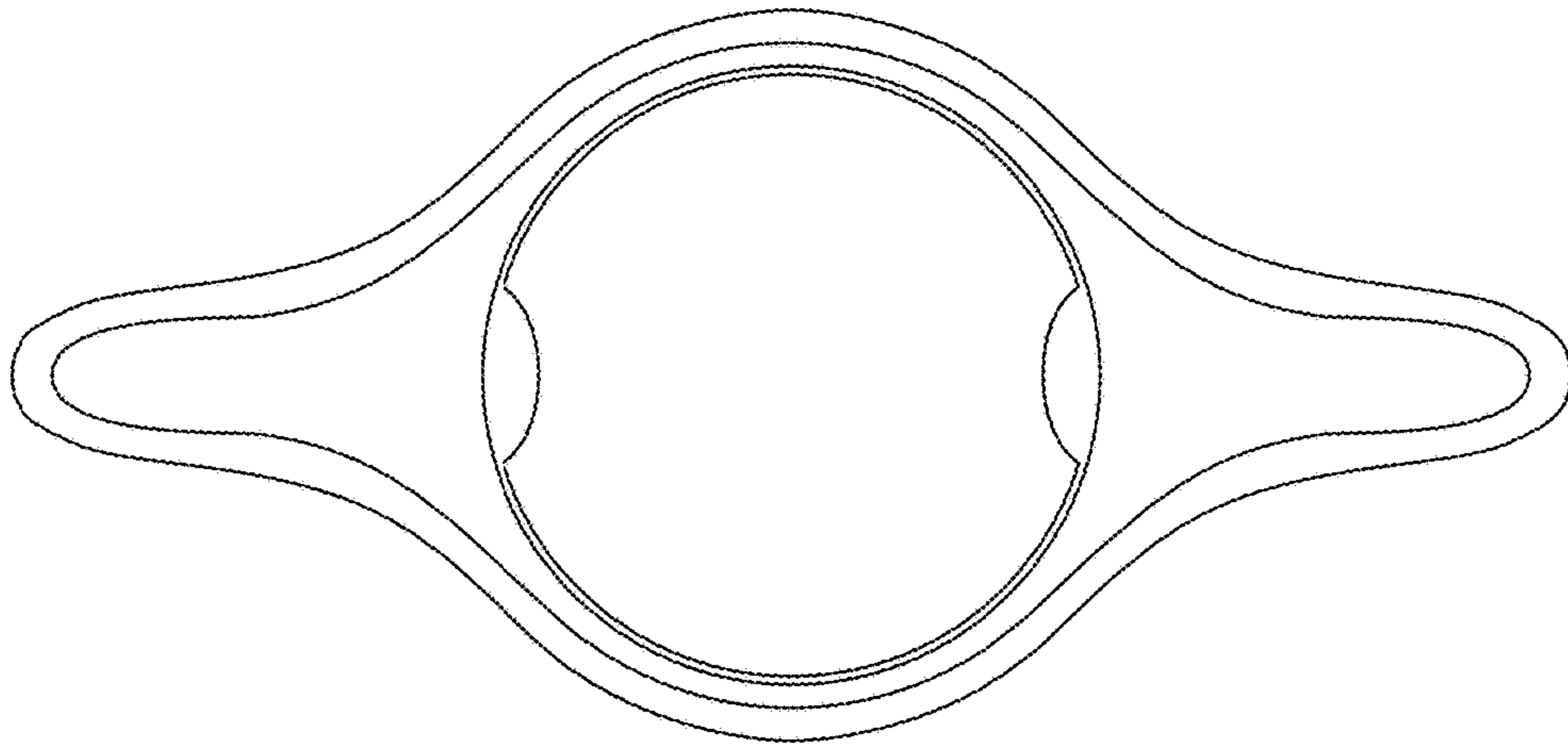


FIG. 5

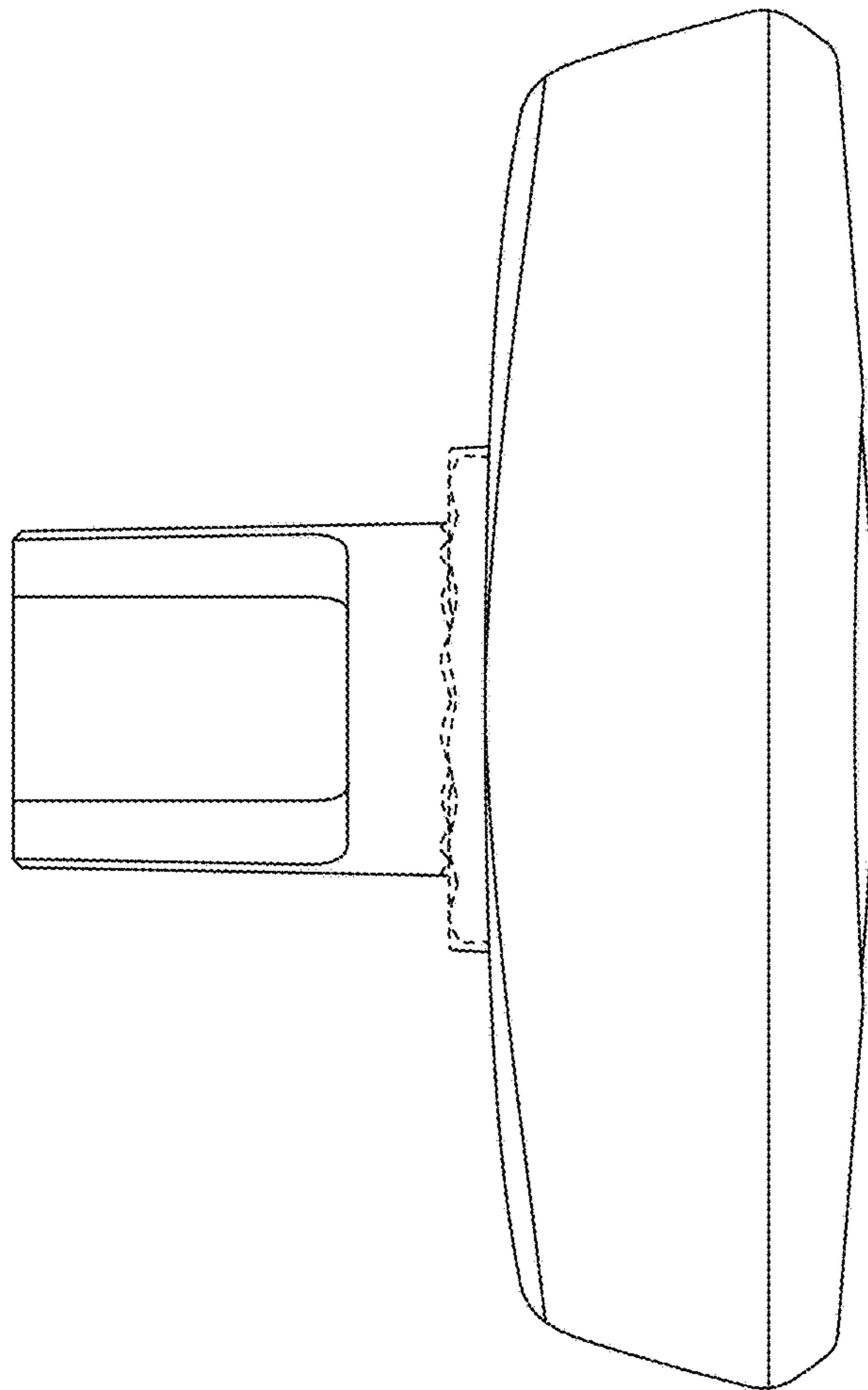


FIG. 6

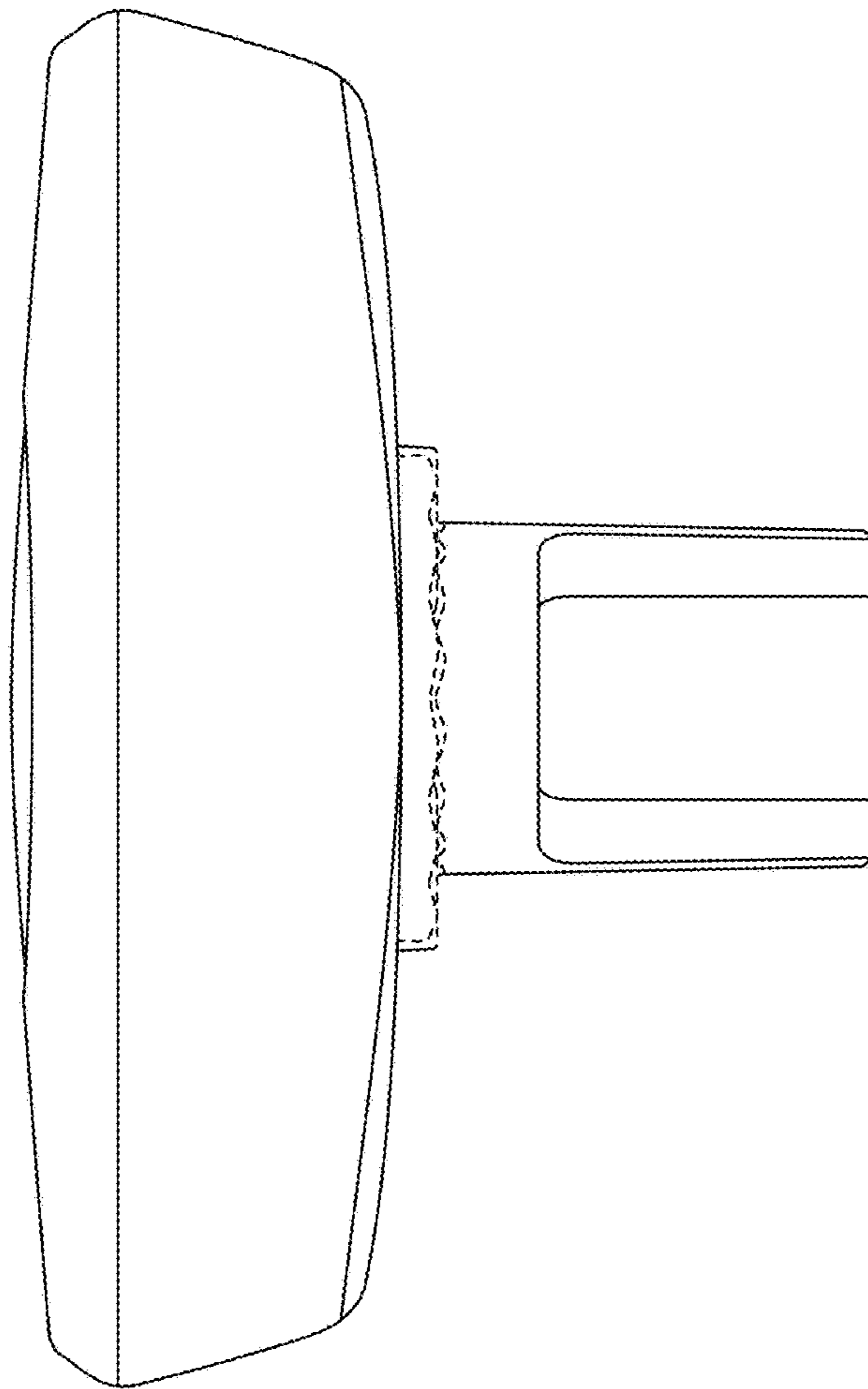


FIG. 7