



US00D842064S

(12) **United States Design Patent**  
**Hughes et al.**

(10) **Patent No.:** **US D842,064 S**

(45) **Date of Patent:** **\*\* Mar. 5, 2019**

- (54) **POLE SANDER**
- (71) Applicant: **Marshalltown Company**,  
Marshalltown, IA (US)
- (72) Inventors: **John T. Hughes**, Fayetteville, AR (US);  
**John M. Reynolds**, Springdale, AR  
(US); **Jarod Elsberry**, Marshalltown,  
IA (US)
- (73) Assignee: **Marshalltown Company**,  
Marshalltown, IA (US)
- (\*\*) Term: **15 Years**

5,527,212	A *	6/1996	Bowen	.....	B24B 55/10 451/356
5,624,305	A *	4/1997	Brown	.....	B24B 55/06 16/337
D512,295	S *	12/2005	Florio	.....	D8/90
7,488,242	B2	2/2009	Gringer et al.		
7,670,210	B2	3/2010	Annis		
D652,283	S	1/2012	Arvinte et al.		
D659,503	S *	5/2012	Arvinte	.....	D8/90
D680,844	S *	4/2013	Thompson	.....	D8/90
D712,227	S *	9/2014	Arvinte	.....	D8/90
D719,709	S *	12/2014	Gidwell	.....	D32/40
D792,043	S *	7/2017	Buckley	.....	D32/50
2005/0287937	A1	12/2005	Florio		
2010/0009609	A1 *	1/2010	Dow	.....	B24D 15/023 451/522

- (21) Appl. No.: **29/605,860**
- (22) Filed: **May 31, 2017**
- (51) **LOC (11) Cl.** ..... **08-05**
- (52) **U.S. Cl.**  
USPC ..... **D8/90**
- (58) **Field of Classification Search**  
USPC ..... D8/90, 51, 45, 14, 40, 50  
CPC ..... B24D 15/00; B24D 15/02; B24D 15/04;  
B24D 15/06; B24D 15/065; B24D 15/08;  
B24B 7/184; B24B 55/10; B24B 23/043;  
B24B 55/06  
See application file for complete search history.

\* cited by examiner

*Primary Examiner* — Philip S Hyder  
(74) *Attorney, Agent, or Firm* — Stinson Leonard Street  
LLP

(57) **CLAIM**

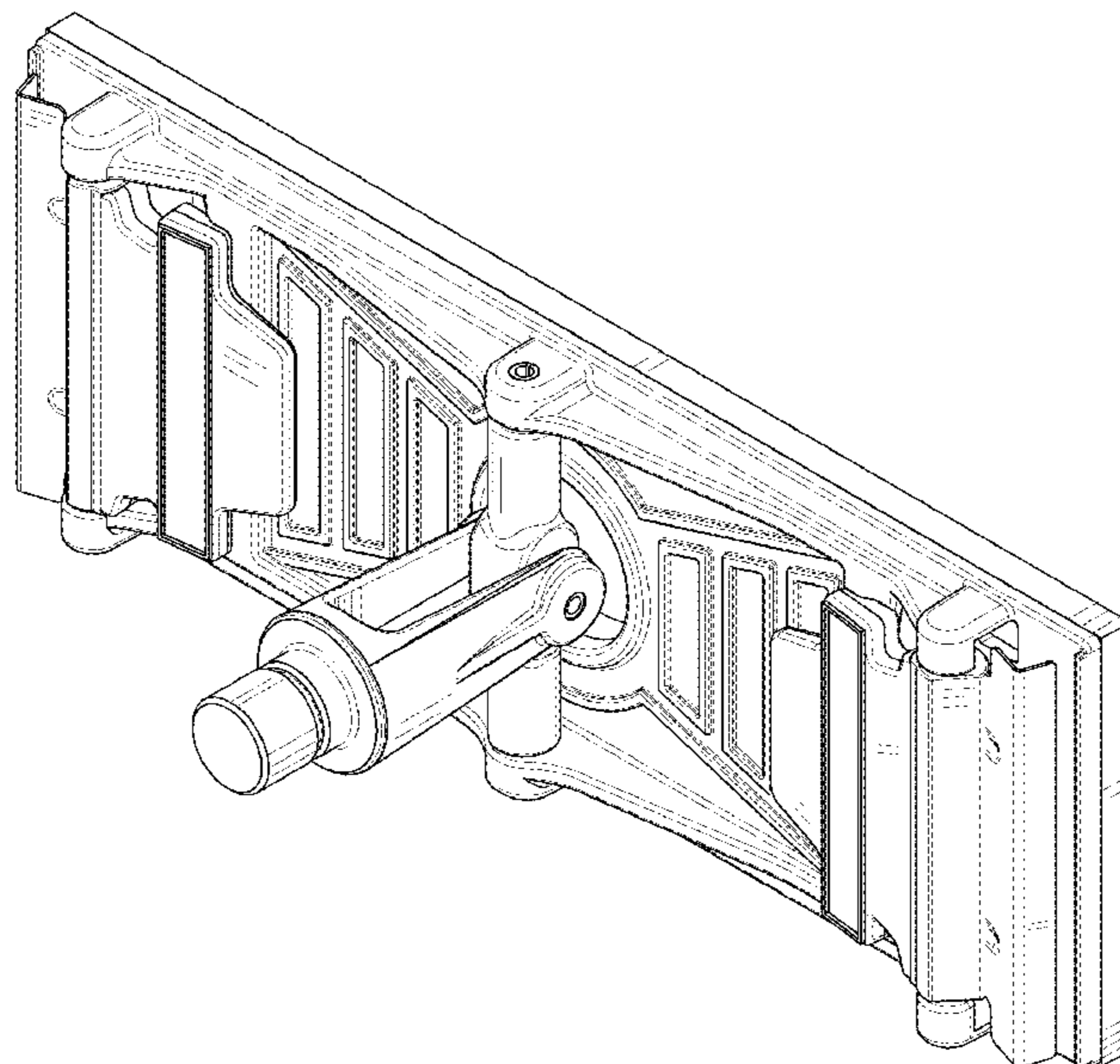
The ornamental design for pole sander, as shown and described.

**DESCRIPTION**

FIG. 1 is a front perspective of a pole sander of our new design, the precise length of a pole of the pole sander is not claimed;  
FIG. 2 is a rear perspective of the pole sander;  
FIG. 3 is a front elevation of the pole sander;  
FIG. 4 is a top plan view of the pole sander;  
FIG. 5 is a right side elevation view of the pole sander;  
FIG. 6 is a rear elevation view of the pole sander;  
FIG. 7 is a bottom plan of the pole sander; and,  
FIG. 8 is a left side elevation of the pole sander.

**1 Claim, 8 Drawing Sheets**

- (56) **References Cited**  
U.S. PATENT DOCUMENTS  
3,483,662 A \* 12/1969 Ames ..... B24D 15/02  
15/144.2  
4,516,361 A \* 5/1985 Gringer ..... B24D 15/04  
15/144.1  
D311,318 S \* 10/1990 Ovens ..... D8/90  
D346,944 S \* 5/1994 Poole ..... D8/90



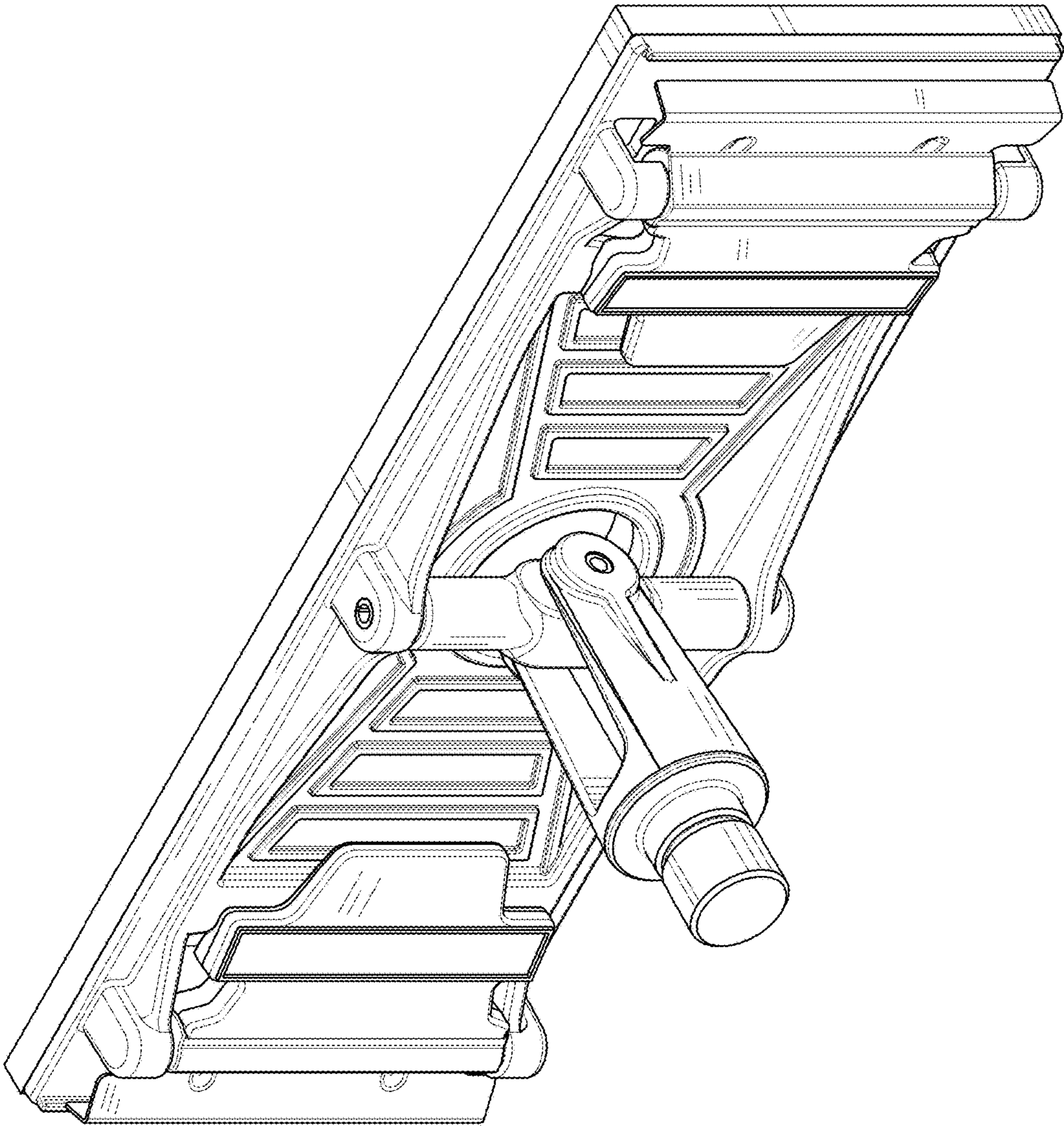


FIG. 1

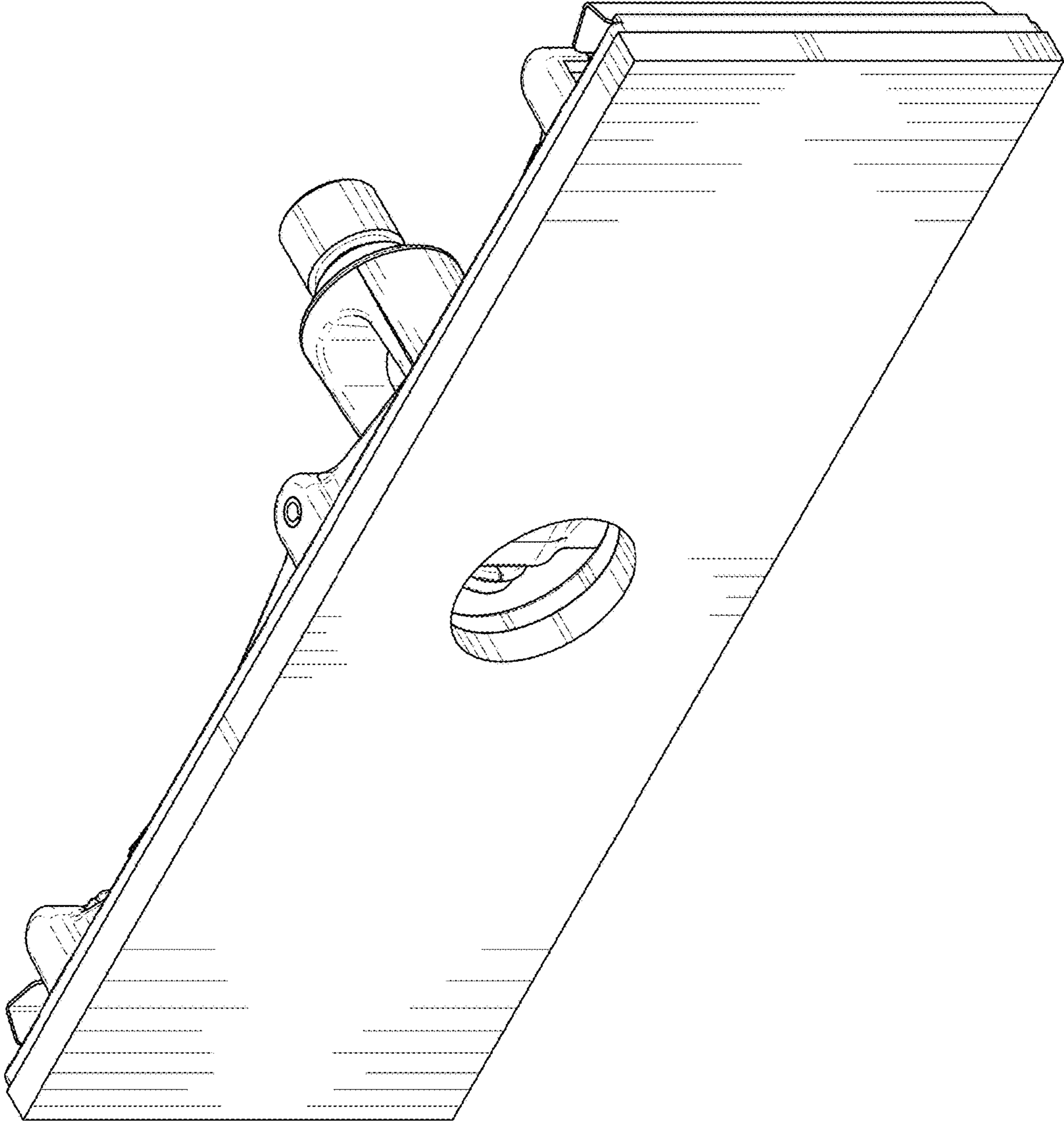


FIG. 2

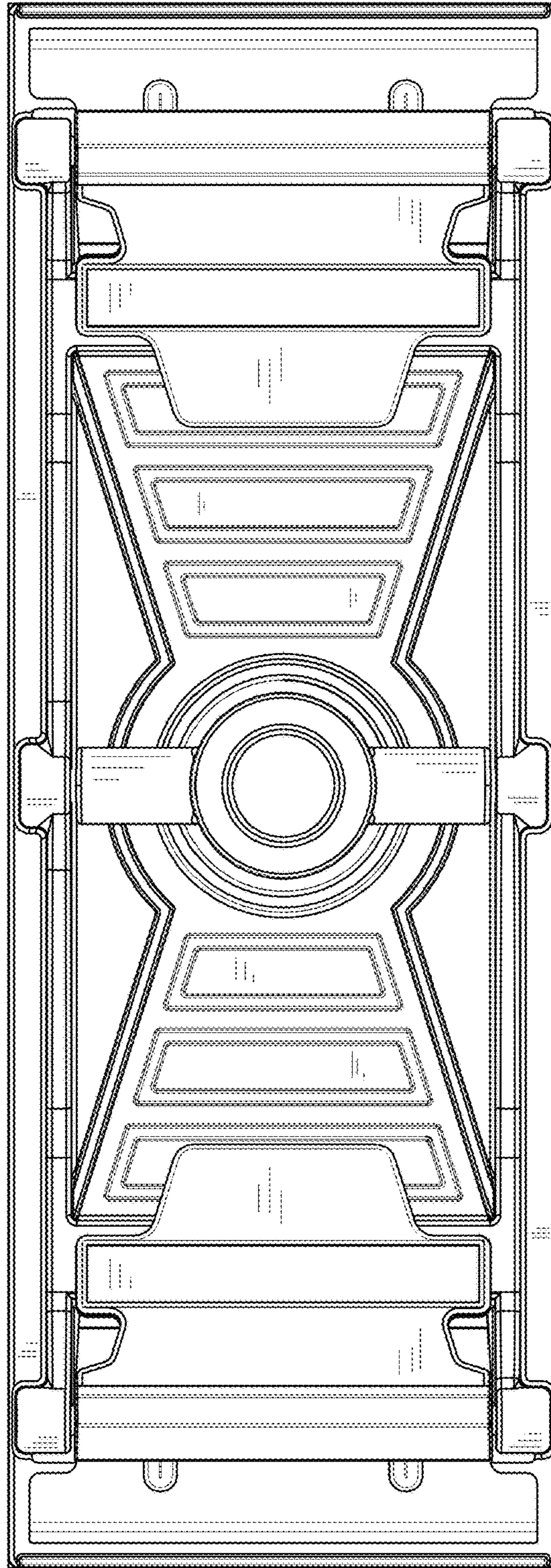


FIG. 3

FIG. 4

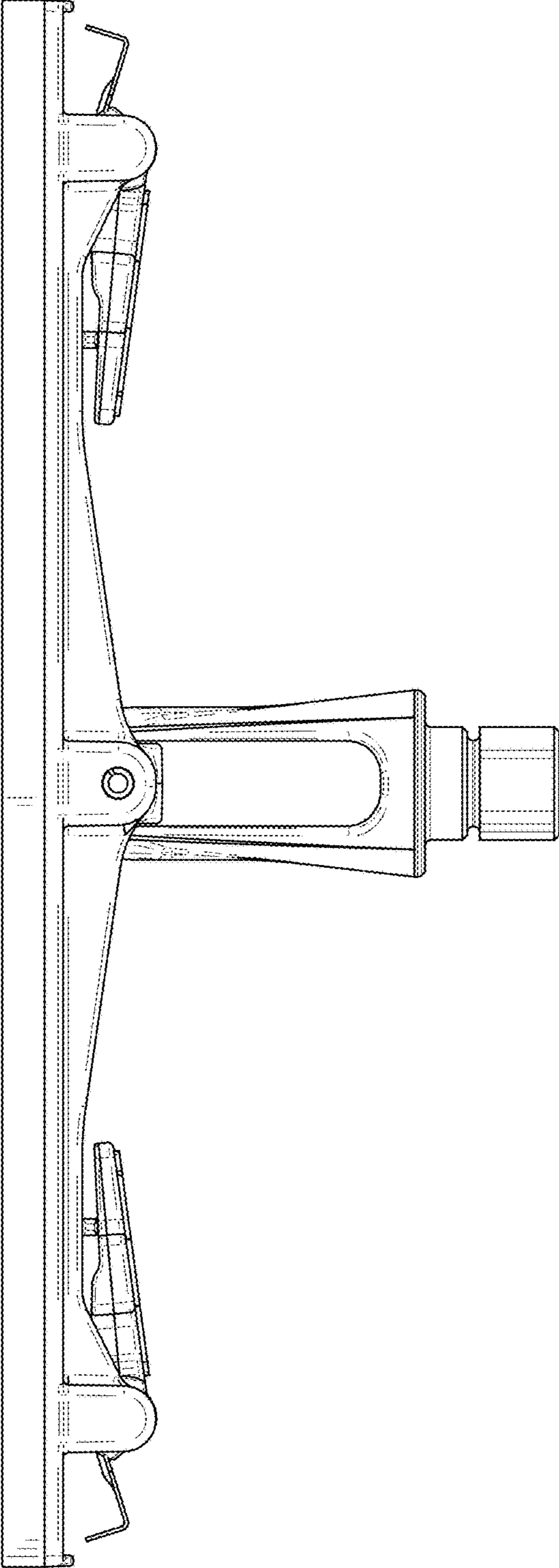
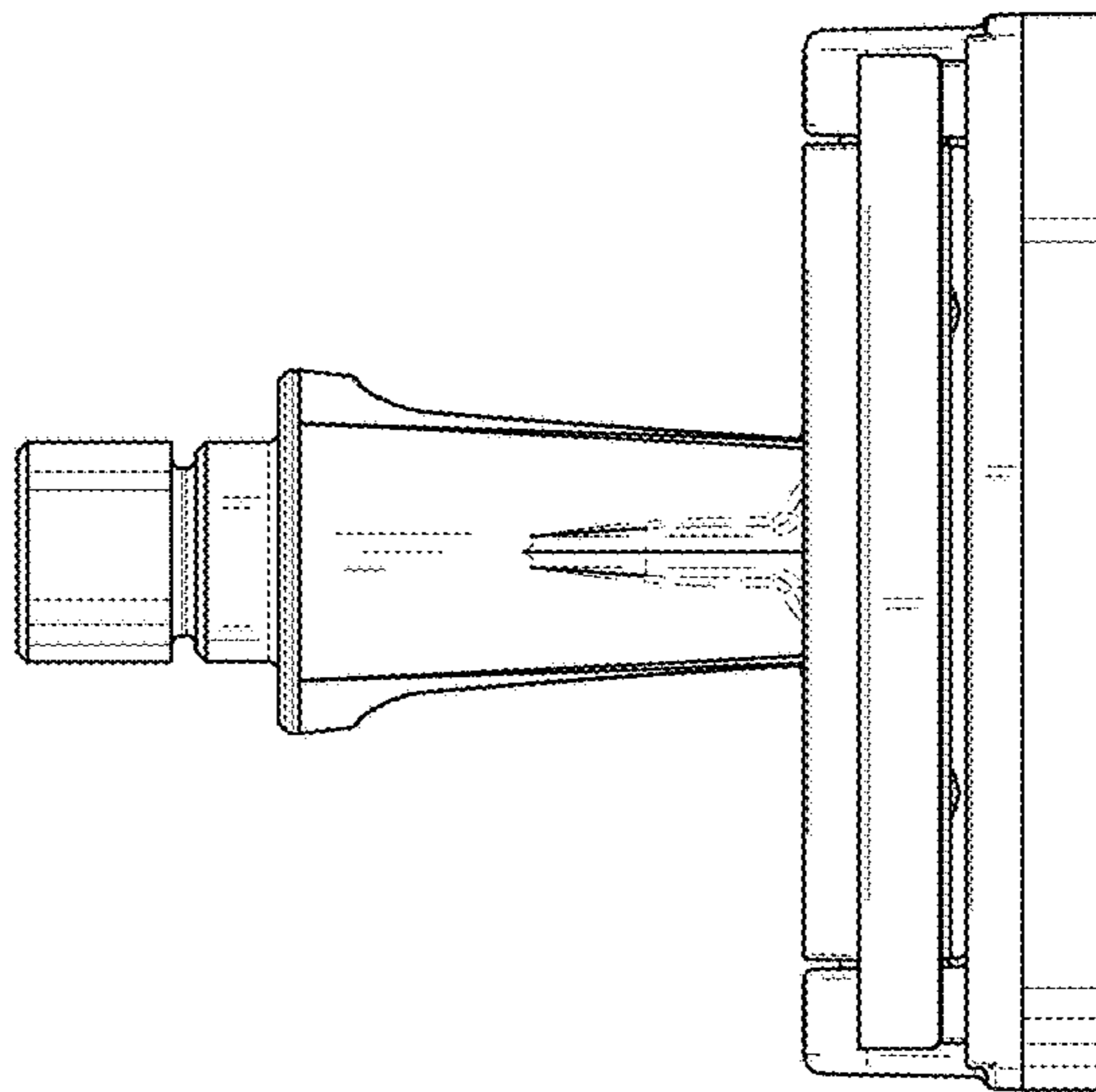


FIG. 5



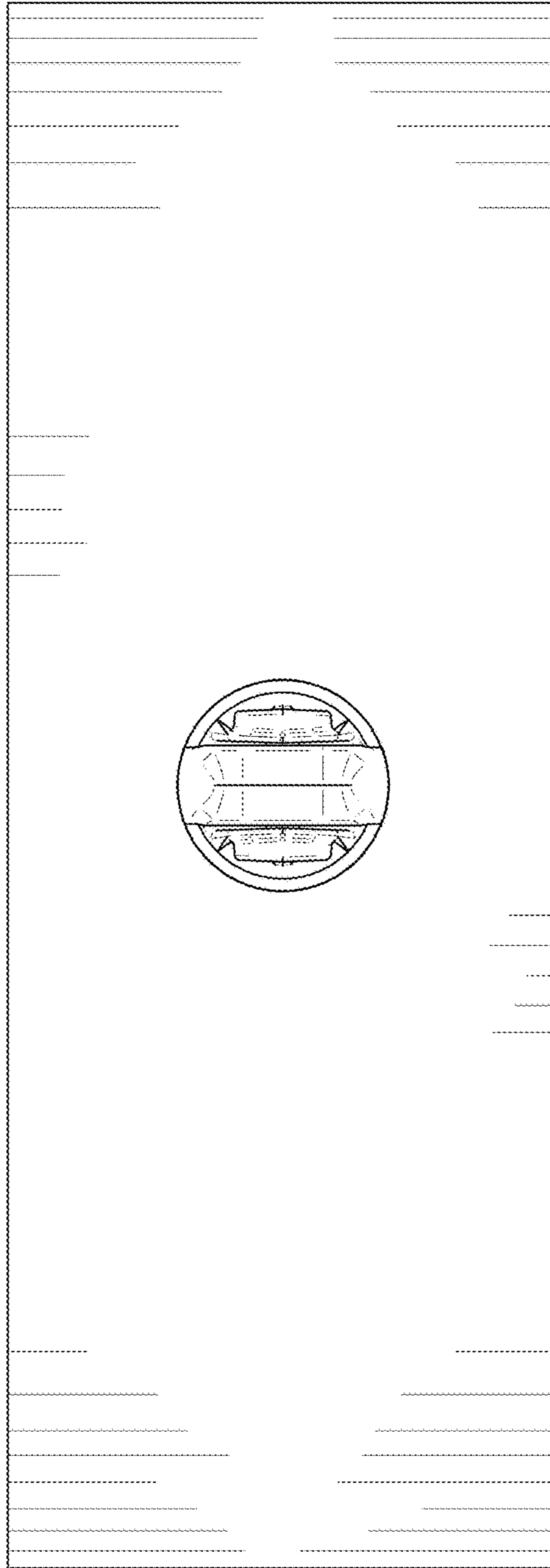


FIG. 6

FIG. 7

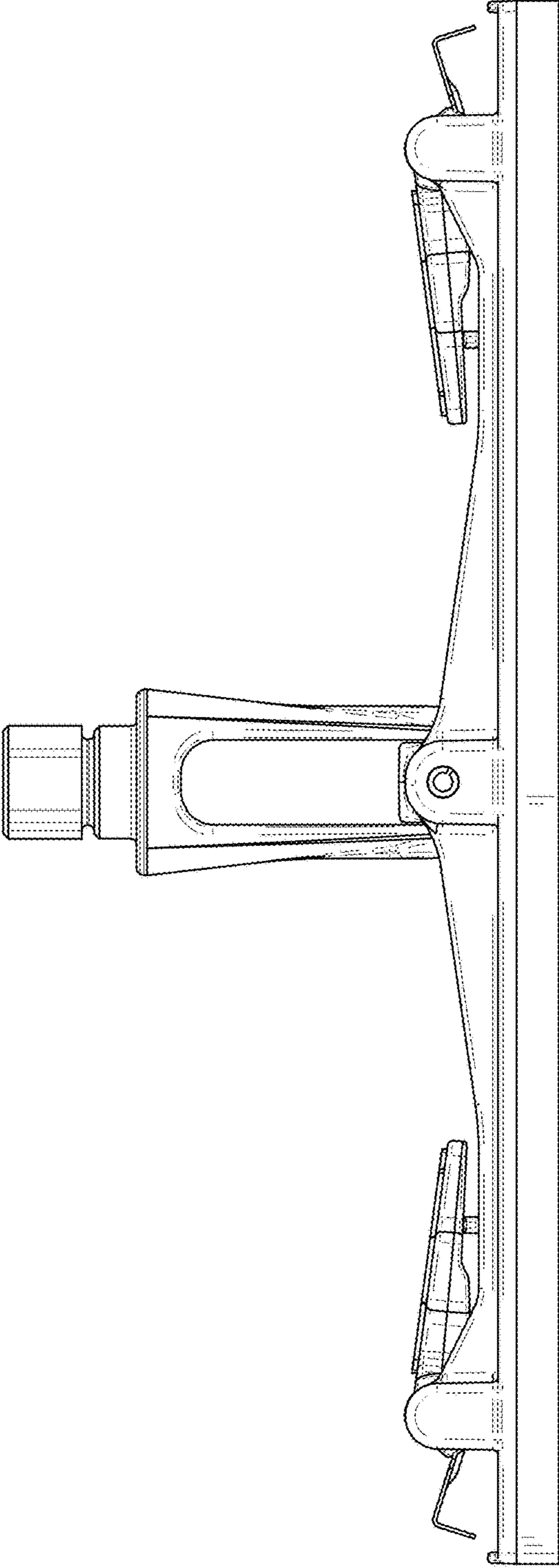




FIG. 8

