



US00D842063S

(12) **United States Design Patent** (10) **Patent No.:** **US D842,063 S**
DeBellis (45) **Date of Patent:** **** Mar. 5, 2019**

(54) **DRILL POWERED WIRE PULLER** 7,588,109 B2 * 9/2009 Wachendorf B62M 6/60
180/202

(71) Applicant: **Thomas M. DeBellis**, Canyon Lake, CA (US) 7,789,375 B2 9/2010 Ying
8,056,884 B2 11/2011 LaFreniere
D682,073 S * 5/2013 Payne D8/359
D748,446 S * 2/2016 Fretz D34/33
D751,880 S * 3/2016 Howell D8/70
D775,448 S * 12/2016 Fretz D34/33
D776,507 S * 1/2017 Faverio D8/70
2011/0079967 A1 * 4/2011 Presley B25F 3/00
279/145

(72) Inventor: **Thomas M. DeBellis**, Canyon Lake, CA (US)

(**) Term: **15 Years** 2014/0001427 A1 1/2014 Fretz et al.

(21) Appl. No.: **29/603,787**

(22) Filed: **May 12, 2017**

(51) **LOC (11) Cl.** **08-05**

(52) **U.S. Cl.**
USPC **D8/70**

(58) **Field of Classification Search**
USPC D8/14.1, 61-70, 359, 394; D34/33;
D23/233
CPC B66D 1/02; B66D 1/12; B66D 1/14; B25F
3/00
See application file for complete search history.

Primary Examiner — Darlington Ly
(74) *Attorney, Agent, or Firm* — Kirk A. Buhler; Buhler & Associates

(57) **CLAIM**

The ornamental design for a drill powered wire puller, as shown and described.

DESCRIPTION

FIG. 1 is a top, front, and right side perspective view for a drill powered wire puller in an environment of use showing my new design;

FIG. 2 is a left side elevation view thereof;

FIG. 3 is a right side elevation view thereof;

FIG. 4 is a top plan view thereof;

FIG. 5 is a front elevation view thereof;

FIG. 6 is a top, rear, and right side perspective view thereof;

FIG. 7 is a front, top and right side perspective view thereof;

FIG. 8 is a front, top, and left side perspective view thereof;

FIG. 9 is a rear, top and right side perspective view in an environment of use; and,

FIG. 10 is a rear, top, and right side perspective view thereof in an alternate environment of use.

The broken lines in FIGS. 1, 9 and 10 depict environmental subject matter and form no part of the claimed design.

(56) **References Cited**

U.S. PATENT DOCUMENTS

D152,067 S 7/1946 Curtis

D322,557 S * 12/1991 Cummings D8/394

D322,920 S * 1/1992 Wolfe D8/52

D348,758 S 7/1994 Lichtenvort

6,467,755 B2 10/2002 Reilly et al.

D468,100 S * 1/2003 Bowling D3/274

6,682,050 B1 1/2004 Ray

6,705,597 B1 * 3/2004 Reilly B60P 7/0846
254/223

D489,157 S * 4/2004 Lawson D34/33

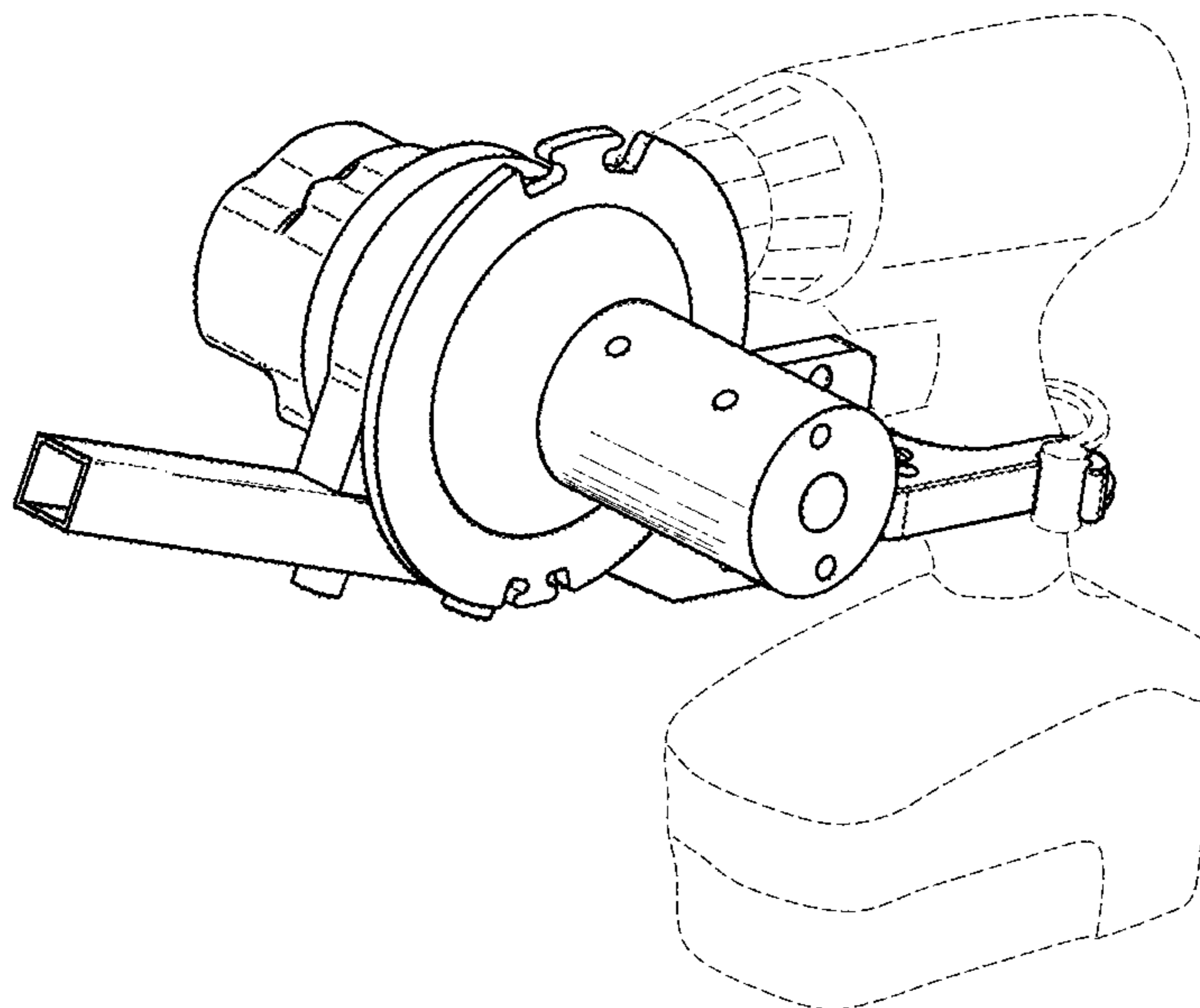
D513,650 S 1/2006 Elliott

7,278,808 B1 10/2007 Sisk, Sr. et al.

7,357,612 B1 4/2008 Paul

7,410,336 B2 * 8/2008 Parks B60P 7/0846
279/144

1 Claim, 7 Drawing Sheets



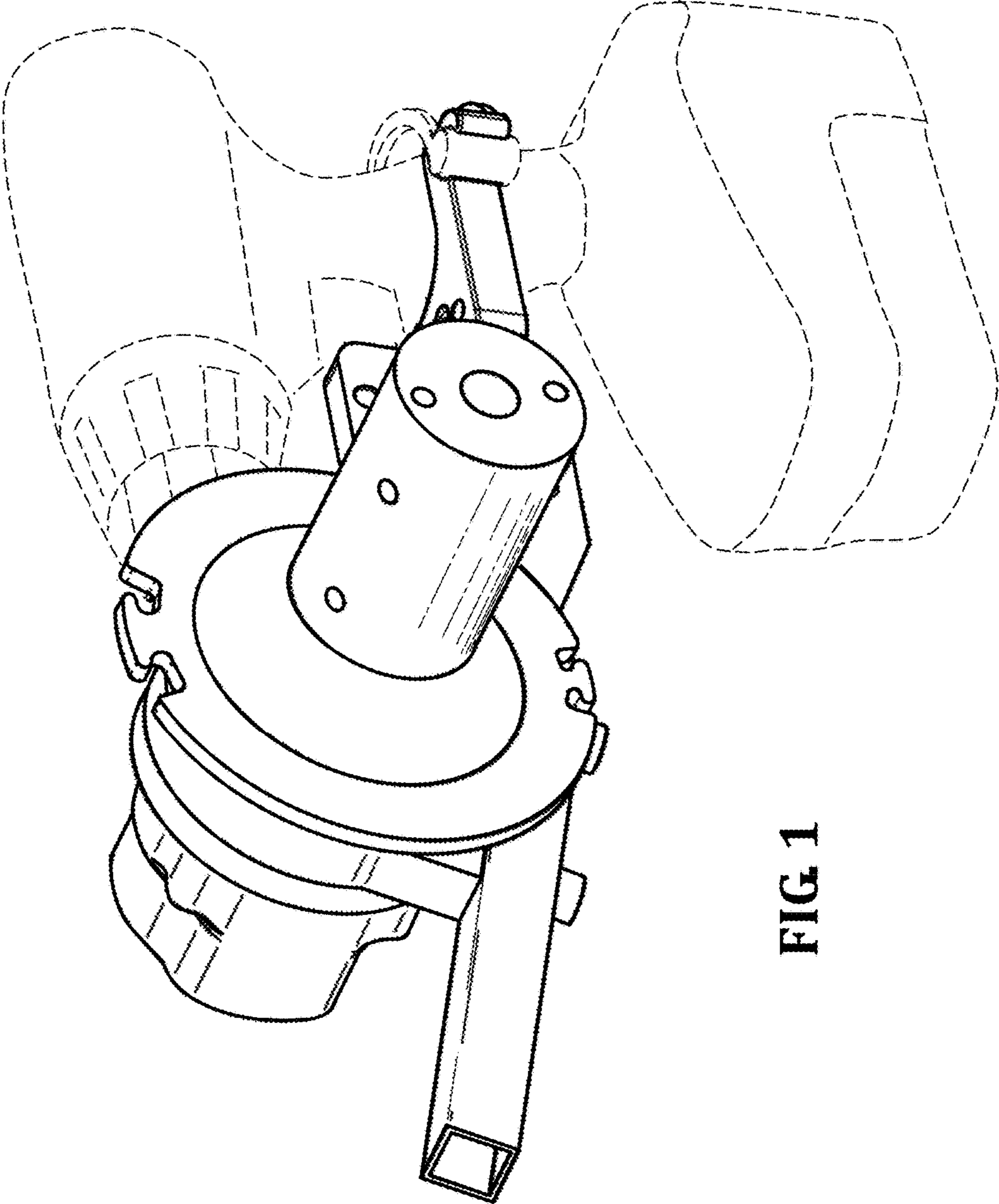
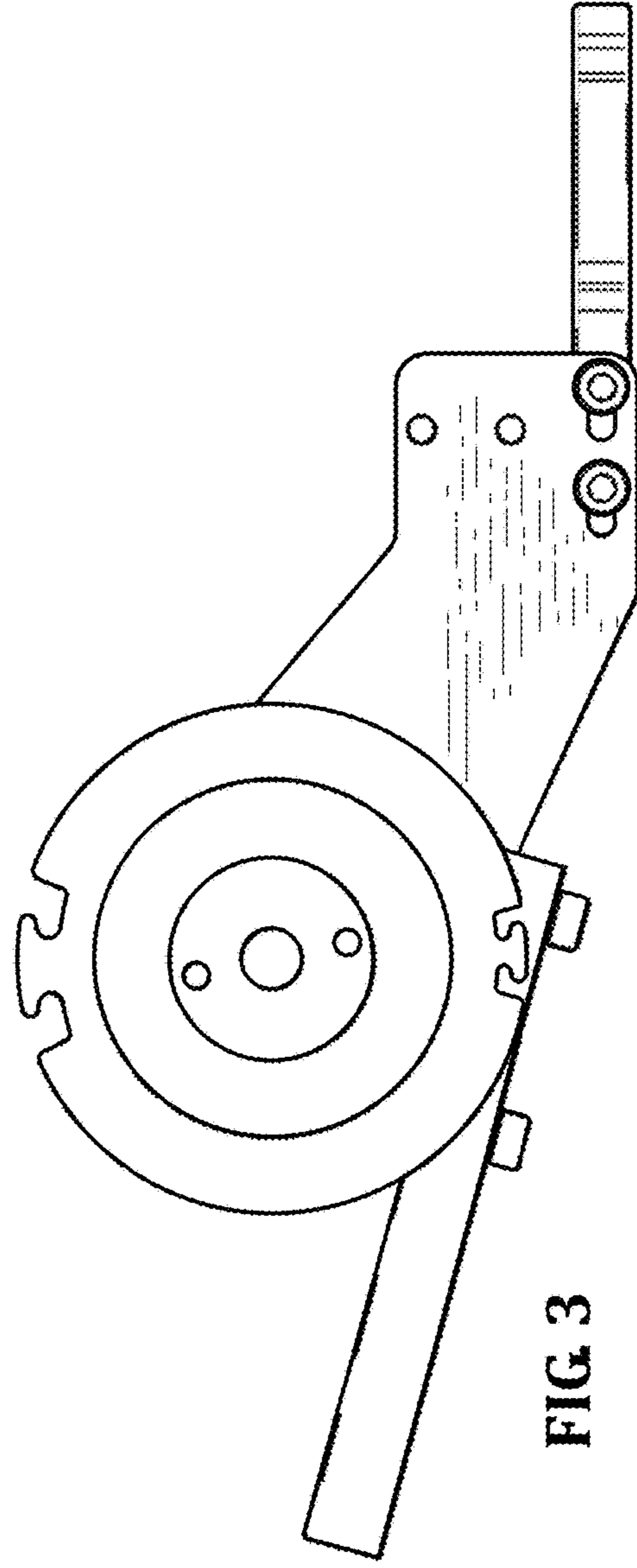
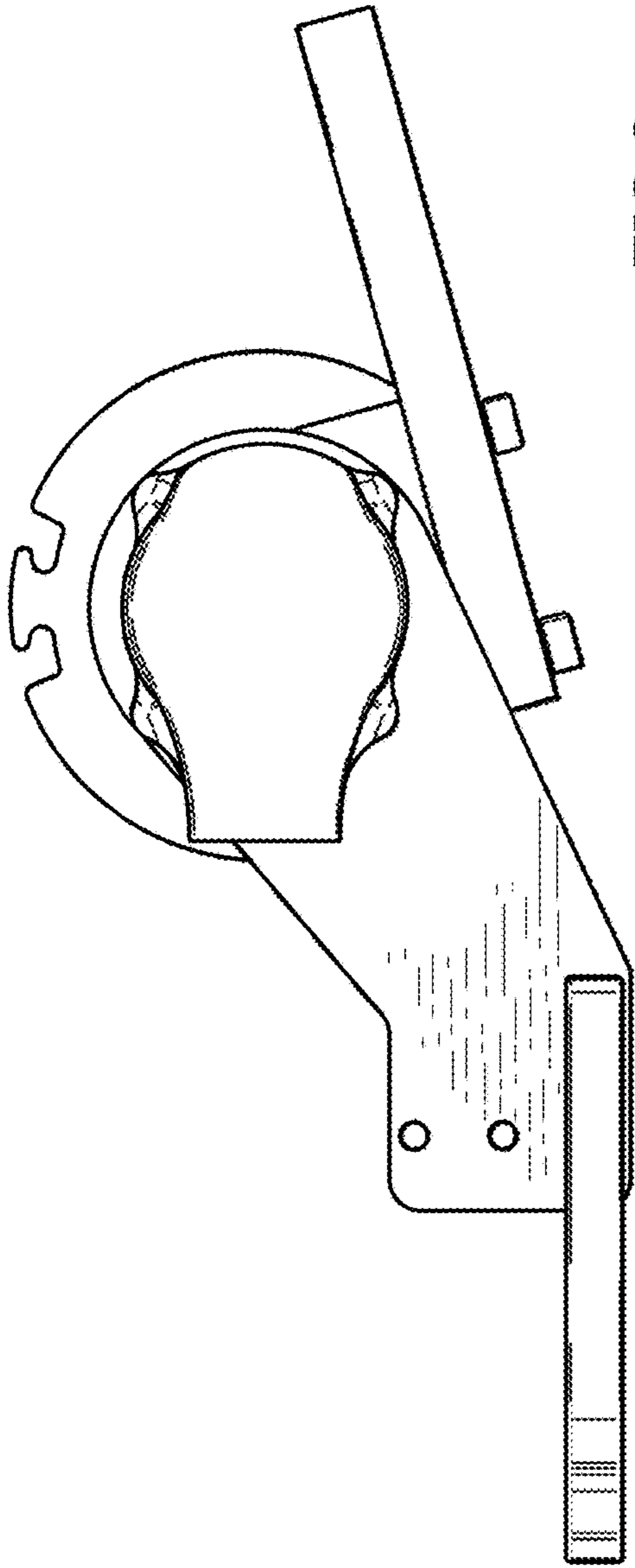


FIG 1



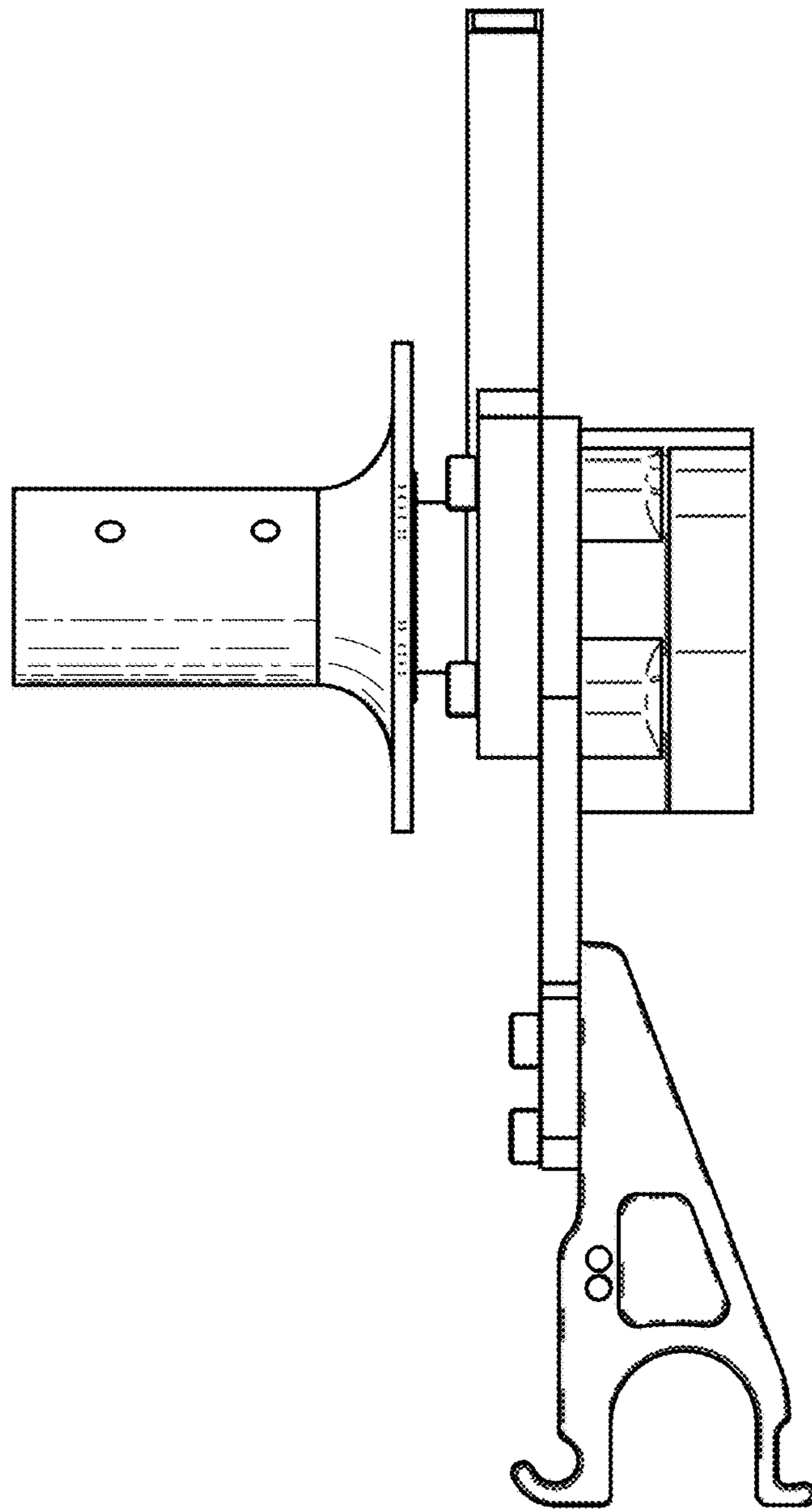


FIG 4

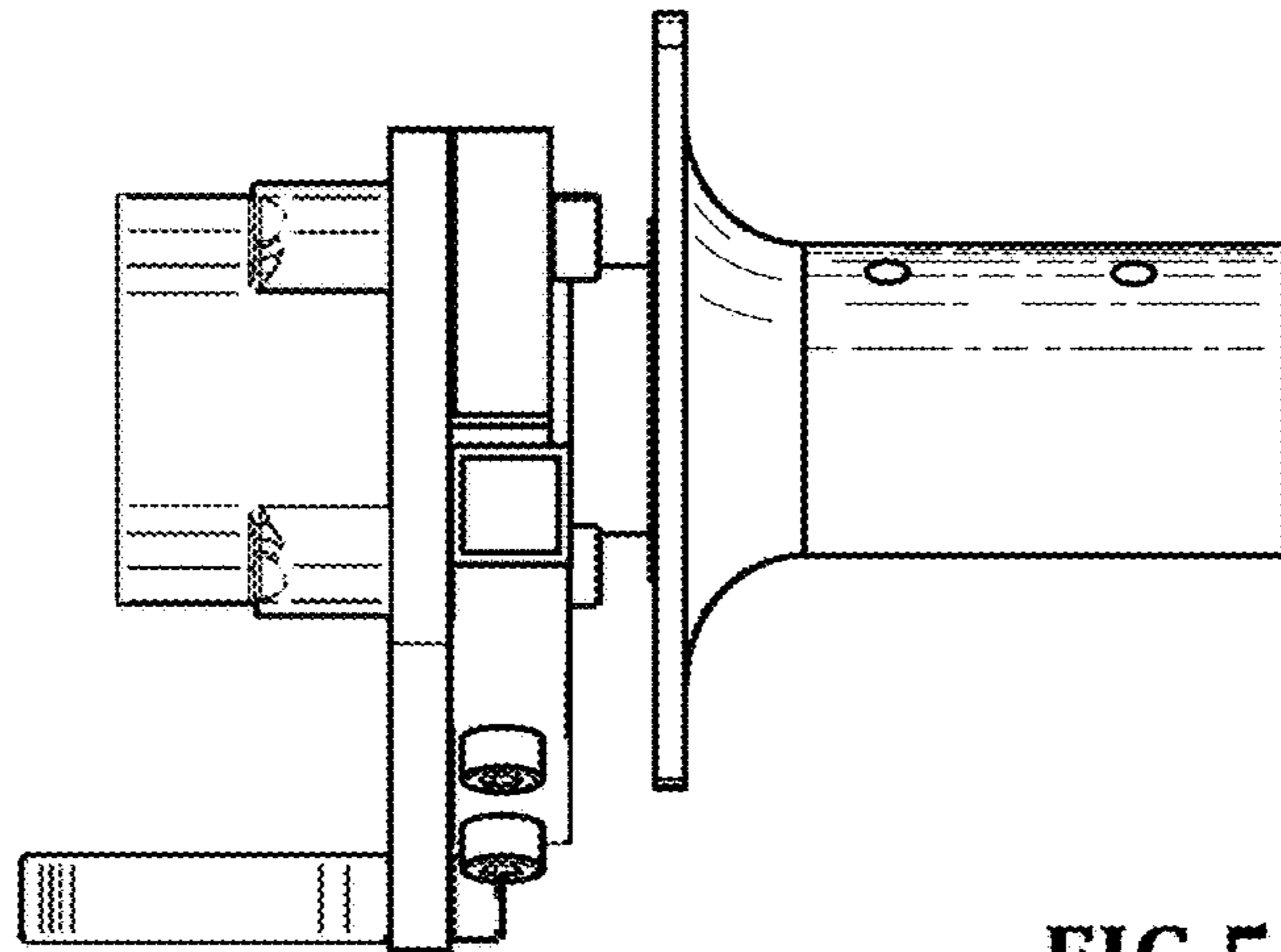


FIG 5

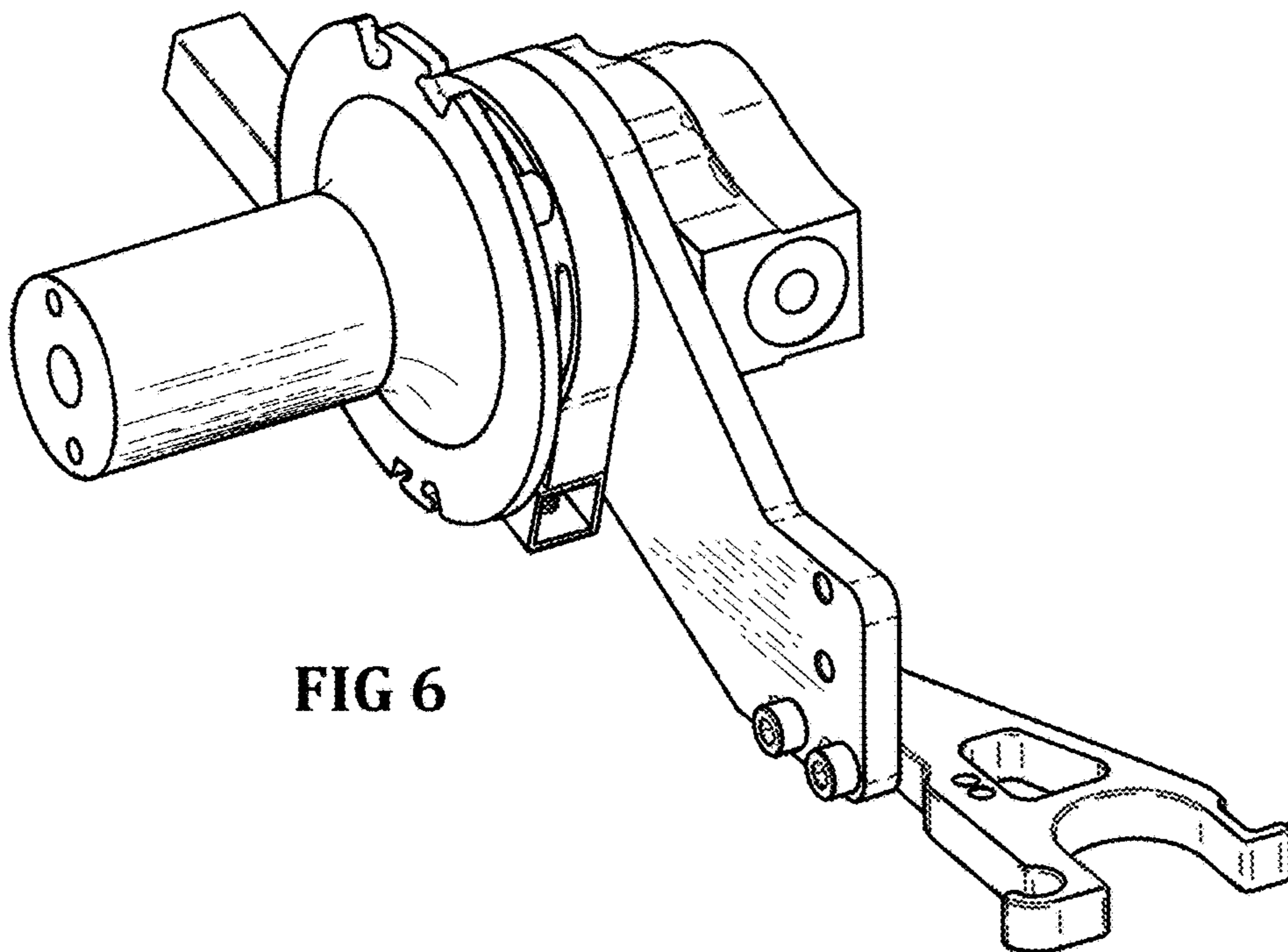


FIG 6

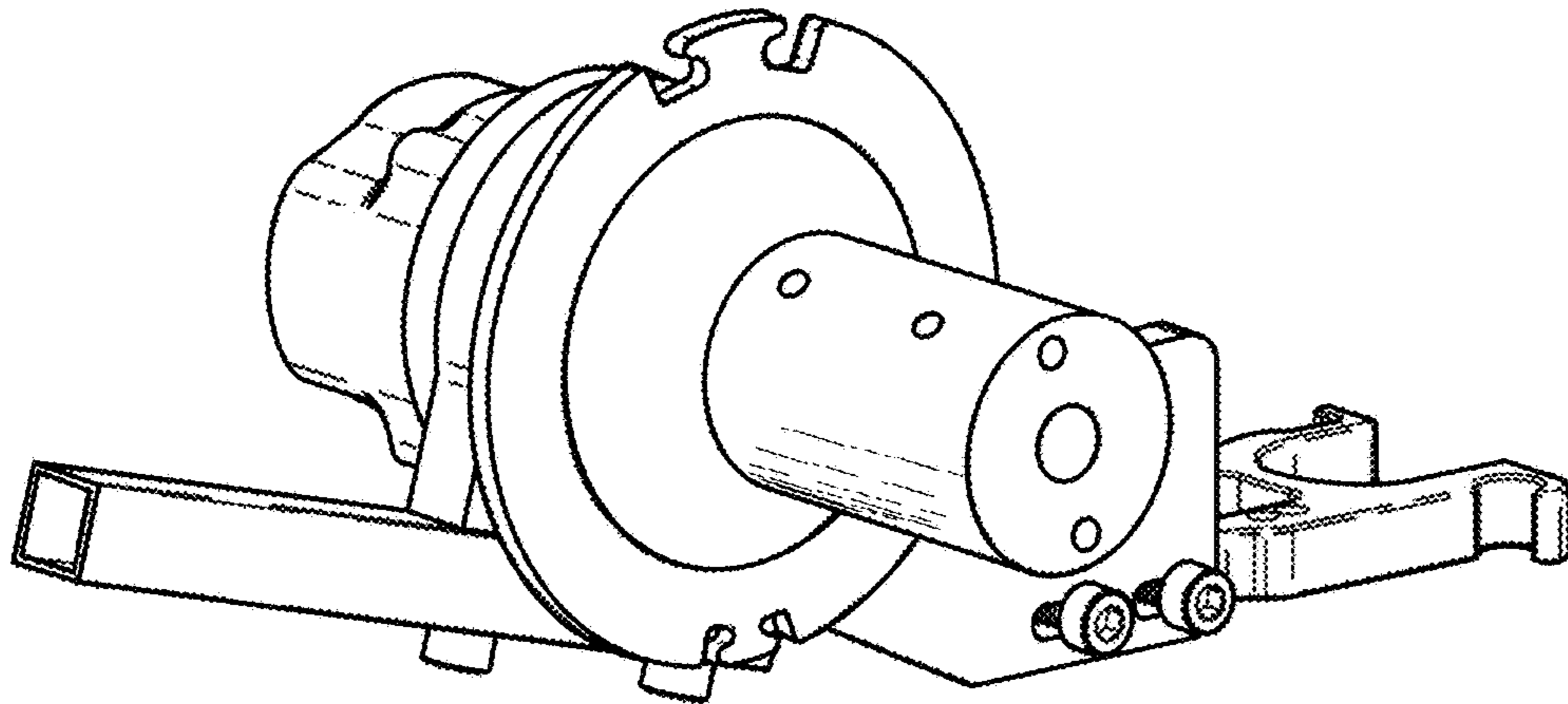


FIG 7

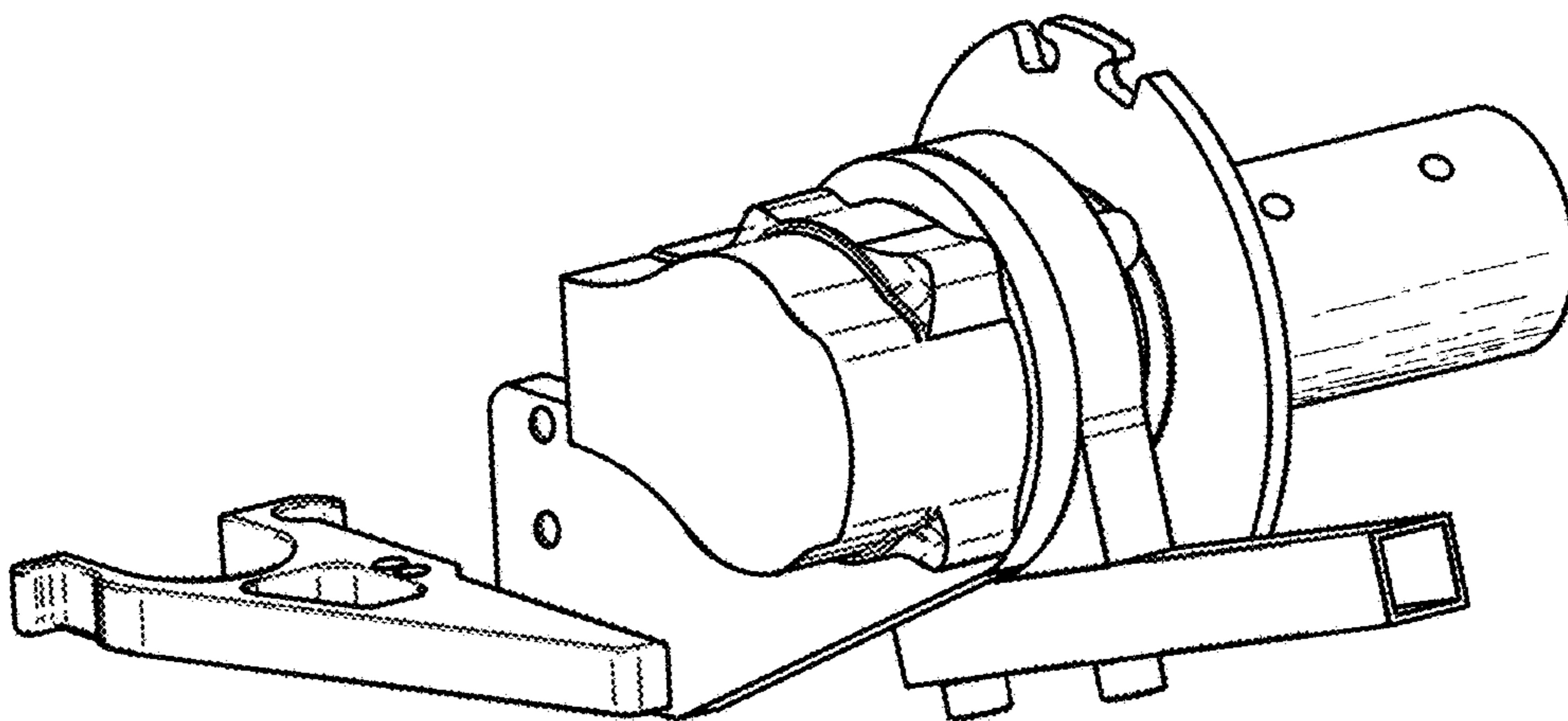


FIG 8

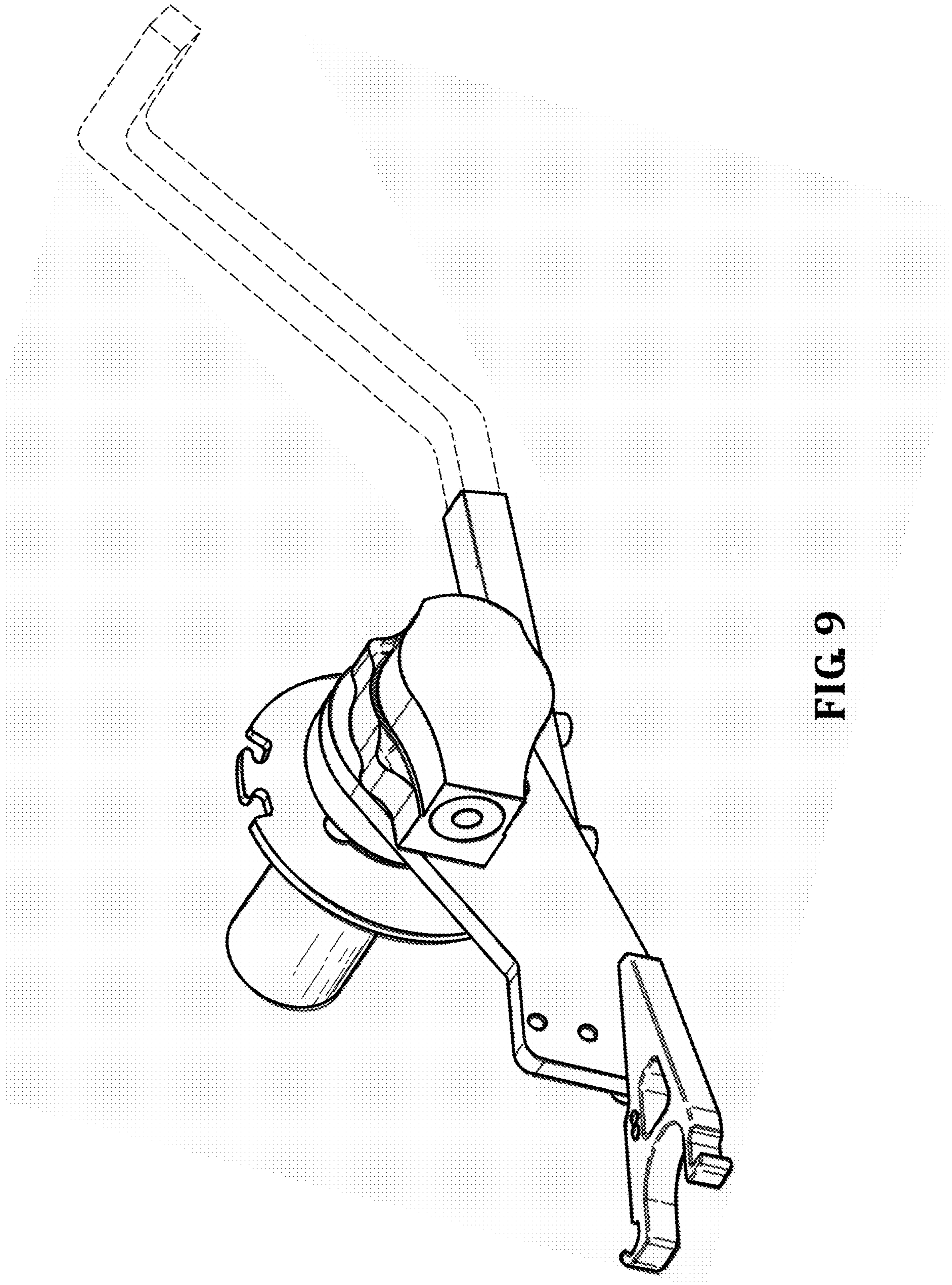


FIG 9

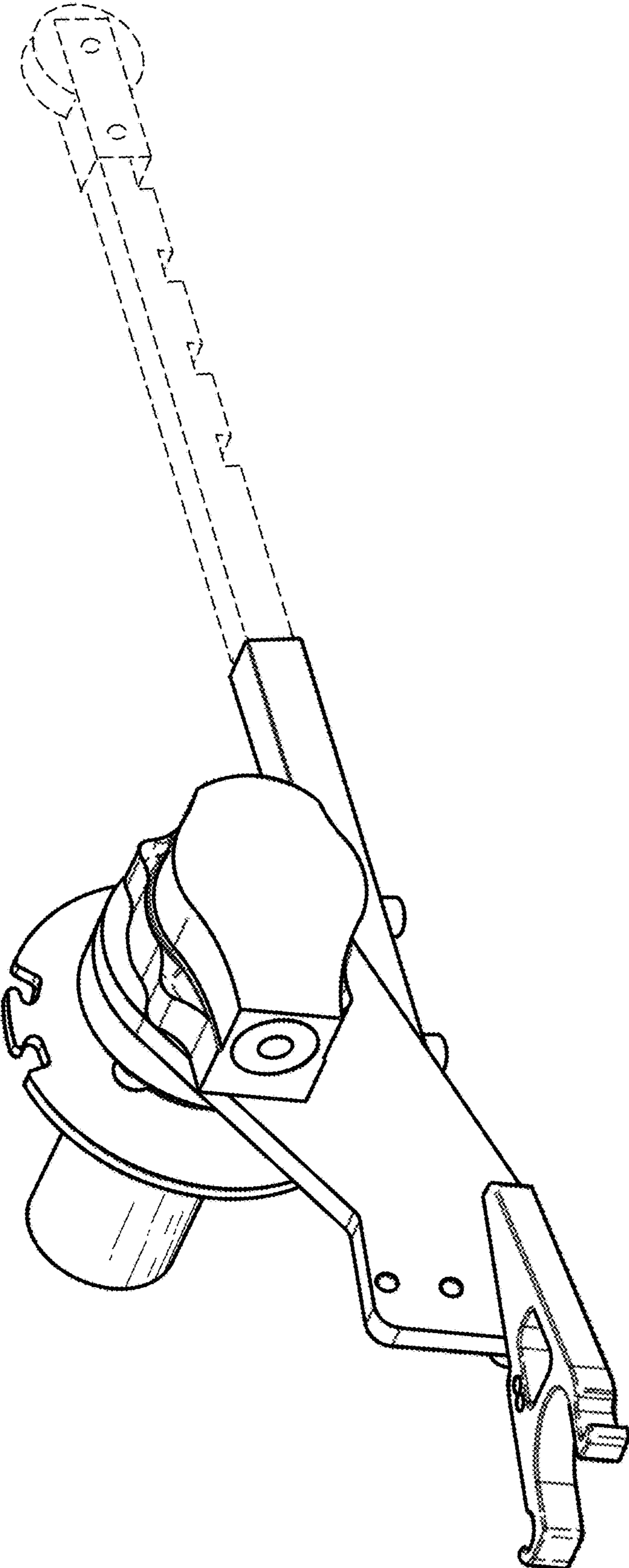


FIG 10