



US00D842062S

(12) **United States Design Patent**
Bindhammer

(10) **Patent No.:** **US D842,062 S**
(45) **Date of Patent:** **** Mar. 5, 2019**

(54) **ELECTRIC HAMMER**
(71) Applicant: **SCHEPPACH FABRIKATION VON
HOLZBEARBEITUNGSMASCHINEN
GMBH, Ichenhausen (DE)**

D319,960 S *	9/1991	Johansson	D8/61
D335,619 S *	5/1993	Ogawa	D8/61
D341,532 S *	11/1993	Watanabe	D8/69
D343,345 S *	1/1994	Ogawa	D8/69
7,013,984 B2 *	3/2006	Atkinson	B25D 17/02 173/1
D570,174 S *	6/2008	Stirm	D8/67
D580,250 S *	11/2008	Stirm	D8/67
D603,674 S *	11/2009	Werner	D8/67
D641,604 S *	7/2011	Stirm	D8/67
D642,443 S *	8/2011	Stirm	D8/67
D657,647 S *	4/2012	Tinius	D8/67
D666,468 S *	9/2012	Braun	D8/67
D668,521 S *	10/2012	Degener	D8/67
D693,199 S *	11/2013	Maiertaler	D8/67
D730,139 S *	5/2015	Taniguchi	D8/67

(72) Inventor: **Markus Bindhammer, Friedberg (DE)**

(73) Assignee: **Scheppach Fabrikation von
Holzbearbeitungsmaschinen GmbH,
Ichenhausen (DE)**

(**) Term: **15 Years**

(21) Appl. No.: **35/503,627**

(22) Filed: **Aug. 24, 2017**

(80) **Hague Agreement Data**

Int. Filing Date: **Aug. 24, 2017**
Int. Reg. No.: **DM/097500**
Int. Reg. Date: **Aug. 24, 2017**
Int. Reg. Pub. Date: **Sep. 8, 2017**

(51) **LOC (11) Cl.** **08-05**

(52) **U.S. Cl.**
USPC **D8/67**

(58) **Field of Classification Search**
USPC D8/61-70
CPC B25D 17/02; B25D 17/11; B25D 17/24;
F16F 9/30; F16F 15/08
See application file for complete search history.

(56) **References Cited**

U.S. PATENT DOCUMENTS

3,063,508 A *	11/1962	Henry	B25D 9/12 173/118
4,483,402 A *	11/1984	Vonhoff, Jr.	B25D 9/08 173/112

* cited by examiner

Primary Examiner — Darlington Ly

(74) *Attorney, Agent, or Firm* — Ewers & Hasselmann
PLLC

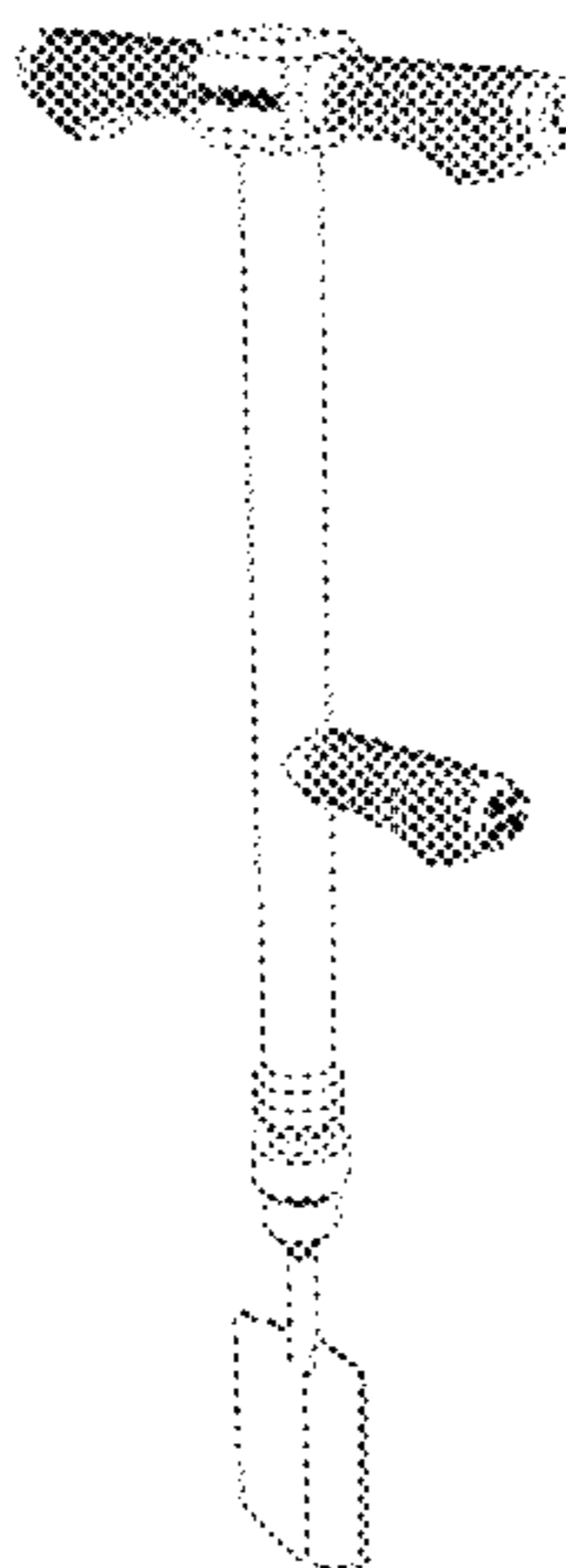
(57) **CLAIM**

The ornamental design for an electric hammer, as shown and described.

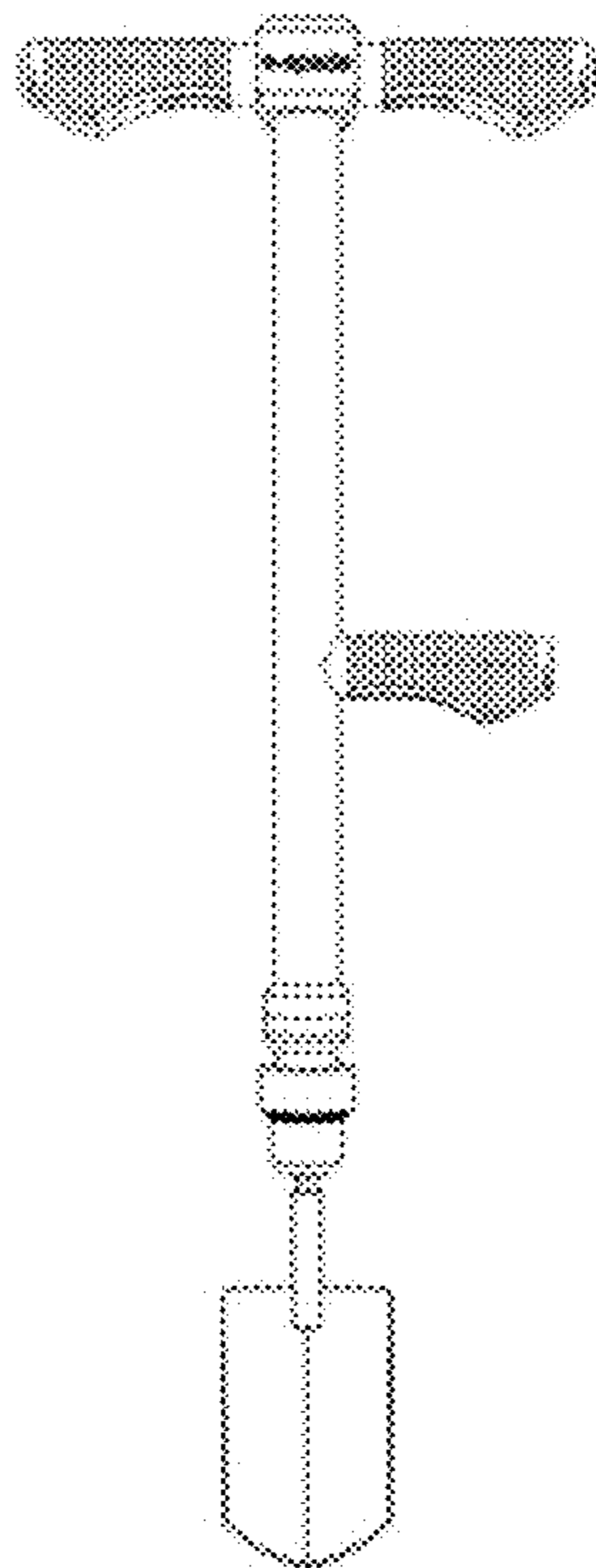
DESCRIPTION

2. Electric hammer
2.1 is a front elevation view of an electric hammer showing my new design;
2.2 is a rear elevation view thereof;
2.3 is a left side elevation view thereof;
2.4 is a right side elevation view thereof;
2.5 is a top perspective view thereof; and
2.6 is a front and right side perspective view thereof.

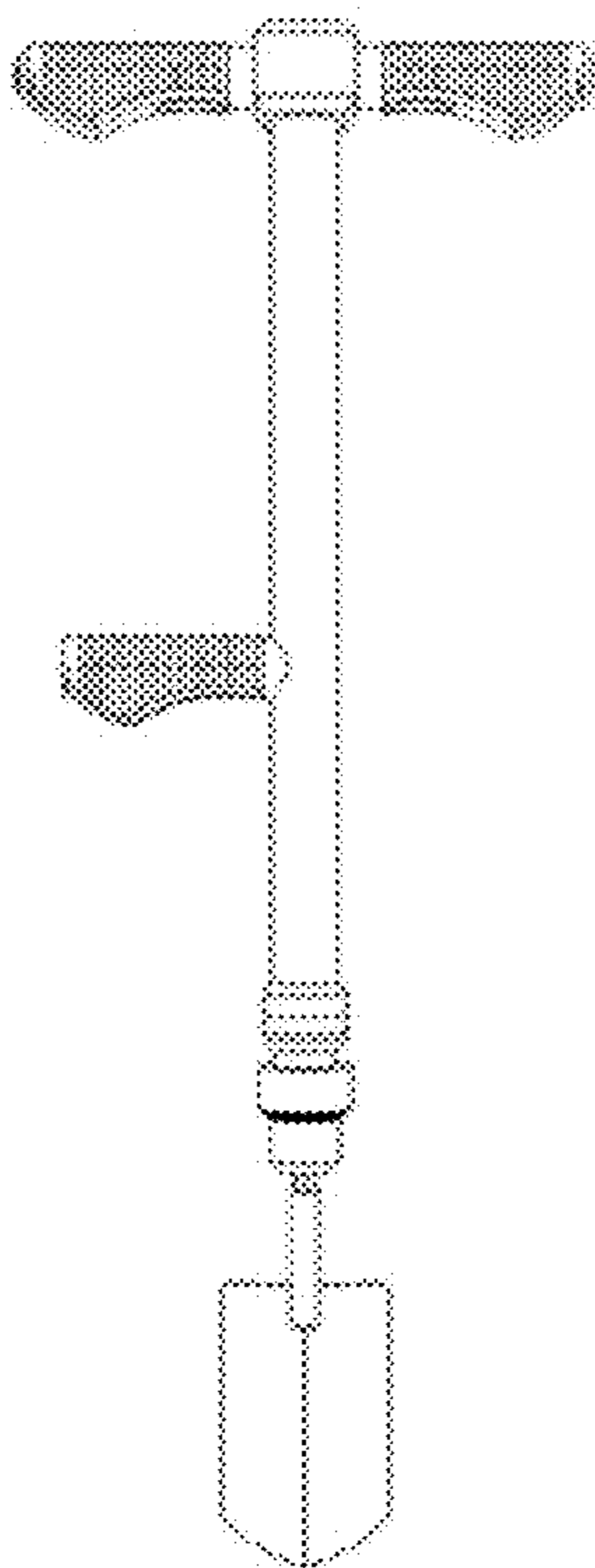
1 Claim, 6 Drawing Sheets



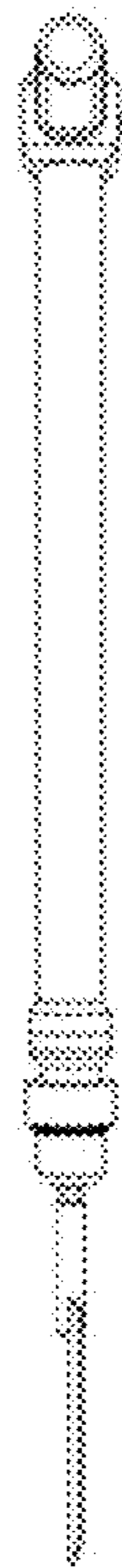
2.1



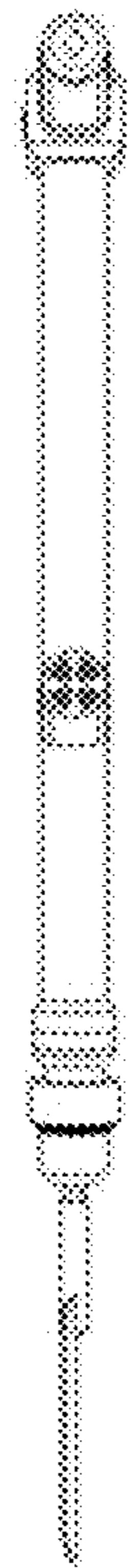
2.2



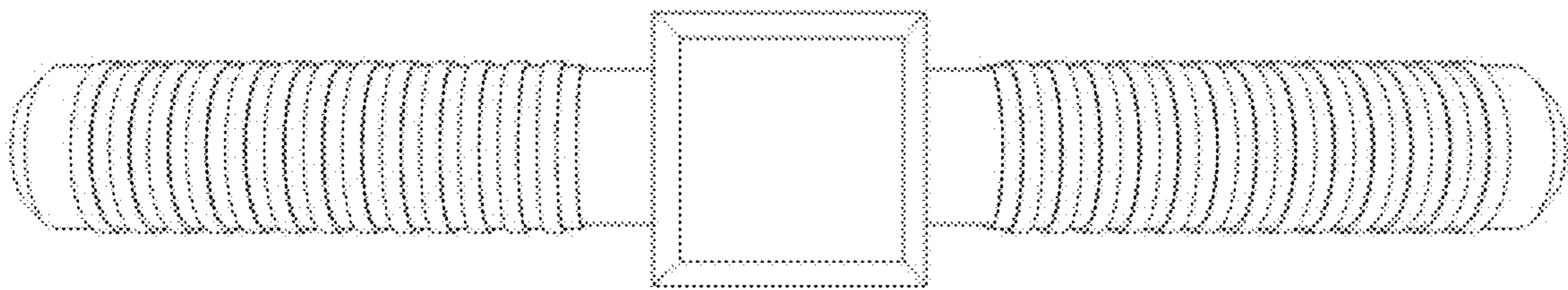
2.3



2.4



2.5



2.6

