



US00D842061S

(12) **United States Design Patent**
Sotzny

(10) **Patent No.:** **US D842,061 S**

(45) **Date of Patent:** **** Mar. 5, 2019**

(54) **ASSEMBLY TOOL FOR A ROTARY ATOMIZER**

(71) Applicant: **Dürr Systems GmbH,**
Bietigheim-Bissingen (DE)

(72) Inventor: **Steffen Sotzny,** Oberstenfeld (DE)

(73) Assignee: **Dürr Systems GmbH,**
Bietigheim-Bissingen (DE)

(**) Term: **14 Years**

(21) Appl. No.: **29/476,985**

(22) Filed: **Dec. 18, 2013**

(30) **Foreign Application Priority Data**

Jun. 18, 2013 (EM) 002257378-0001

Jun. 18, 2013 (EM) 002257378-0002

(51) **LOC (11) Cl.** **08-05**

(52) **U.S. Cl.**
USPC **D8/51**

(58) **Field of Classification Search**
USPC D8/51, 52, 59, 300, 309, 4; 29/255, 258,
29/266; 81/429; 251/291
CPC F16K 31/043; B25B 27/14; B25B 9/00
See application file for complete search history.

(56) **References Cited**

U.S. PATENT DOCUMENTS

5,165,156 A * 11/1992 Shultz B25B 9/00
29/258

5,177,853 A * 1/1993 Herook B25B 27/14
29/266

7,698,795 B2 * 4/2010 Brock B25B 27/0035

2008/0276768 A1 * 11/2008 Brock B25B 27/0035

2012/0211688 A1 * 8/2012 Carlson F16K 31/44

2012/0211688 A1 * 8/2012 Carlson F16K 31/44

2012/0211688 A1 * 8/2012 Carlson F16K 31/44

2012/0211688 A1 * 8/2012 Carlson F16K 31/44

2012/0211688 A1 * 8/2012 Carlson F16K 31/44

2012/0211688 A1 * 8/2012 Carlson F16K 31/44

2012/0211688 A1 * 8/2012 Carlson F16K 31/44

2012/0211688 A1 * 8/2012 Carlson F16K 31/44

2012/0211688 A1 * 8/2012 Carlson F16K 31/44

2012/0211688 A1 * 8/2012 Carlson F16K 31/44

2012/0211688 A1 * 8/2012 Carlson F16K 31/44

2012/0211688 A1 * 8/2012 Carlson F16K 31/44

2012/0211688 A1 * 8/2012 Carlson F16K 31/44

2012/0211688 A1 * 8/2012 Carlson F16K 31/44

2012/0211688 A1 * 8/2012 Carlson F16K 31/44

2012/0211688 A1 * 8/2012 Carlson F16K 31/44

2012/0211688 A1 * 8/2012 Carlson F16K 31/44

2012/0211688 A1 * 8/2012 Carlson F16K 31/44

2012/0211688 A1 * 8/2012 Carlson F16K 31/44

2012/0211688 A1 * 8/2012 Carlson F16K 31/44

2012/0211688 A1 * 8/2012 Carlson F16K 31/44

2012/0211688 A1 * 8/2012 Carlson F16K 31/44

2012/0211688 A1 * 8/2012 Carlson F16K 31/44

2012/0211688 A1 * 8/2012 Carlson F16K 31/44

2012/0211688 A1 * 8/2012 Carlson F16K 31/44

2012/0211688 A1 * 8/2012 Carlson F16K 31/44

2012/0211688 A1 * 8/2012 Carlson F16K 31/44

2012/0211688 A1 * 8/2012 Carlson F16K 31/44

2012/0211688 A1 * 8/2012 Carlson F16K 31/44

2012/0211688 A1 * 8/2012 Carlson F16K 31/44

2012/0211688 A1 * 8/2012 Carlson F16K 31/44

2012/0211688 A1 * 8/2012 Carlson F16K 31/44

2012/0211688 A1 * 8/2012 Carlson F16K 31/44

2012/0211688 A1 * 8/2012 Carlson F16K 31/44

2012/0211688 A1 * 8/2012 Carlson F16K 31/44

2012/0211688 A1 * 8/2012 Carlson F16K 31/44

2012/0211688 A1 * 8/2012 Carlson F16K 31/44

2012/0211688 A1 * 8/2012 Carlson F16K 31/44

2012/0211688 A1 * 8/2012 Carlson F16K 31/44

2012/0211688 A1 * 8/2012 Carlson F16K 31/44

2012/0211688 A1 * 8/2012 Carlson F16K 31/44

2012/0211688 A1 * 8/2012 Carlson F16K 31/44

2012/0211688 A1 * 8/2012 Carlson F16K 31/44

2012/0211688 A1 * 8/2012 Carlson F16K 31/44

2012/0211688 A1 * 8/2012 Carlson F16K 31/44

2012/0211688 A1 * 8/2012 Carlson F16K 31/44

2012/0211688 A1 * 8/2012 Carlson F16K 31/44

2012/0211688 A1 * 8/2012 Carlson F16K 31/44

2012/0211688 A1 * 8/2012 Carlson F16K 31/44

2012/0211688 A1 * 8/2012 Carlson F16K 31/44

2012/0211688 A1 * 8/2012 Carlson F16K 31/44

2012/0211688 A1 * 8/2012 Carlson F16K 31/44

2012/0211688 A1 * 8/2012 Carlson F16K 31/44

2012/0211688 A1 * 8/2012 Carlson F16K 31/44

2012/0211688 A1 * 8/2012 Carlson F16K 31/44

2012/0211688 A1 * 8/2012 Carlson F16K 31/44

2012/0211688 A1 * 8/2012 Carlson F16K 31/44

2012/0211688 A1 * 8/2012 Carlson F16K 31/44

2012/0211688 A1 * 8/2012 Carlson F16K 31/44

* cited by examiner

Primary Examiner — Lakiya G Rogers

Assistant Examiner — Harold E Blackwell, II

(74) *Attorney, Agent, or Firm* — Bejin Bieneman PLC

(57) **CLAIM**

The ornamental design for an assembly tool for a rotary atomizer, as shown and described.

DESCRIPTION

FIG. 1 is a first side perspective view of an assembly tool for a rotary atomizer showing our new design;

FIG. 2 is a second side perspective view of an assembly tool for a rotary atomizer thereof;

FIG. 3 is a third side perspective view of an assembly tool for a rotary atomizer thereof;

FIG. 4 is a fourth side perspective view of an assembly tool for a rotary atomizer thereof;

FIG. 5 is a top plan view of an assembly tool for a rotary atomizer thereof;

FIG. 6 is a bottom plan view of an assembly tool for a rotary atomizer thereof; and,

FIG. 7 is a perspective view of an assembly tool for a rotary atomizer thereof.

The broken lines in the drawings illustrate portions of the assembly tool for a rotary atomizer that form no part of the claimed design.

1 Claim, 7 Drawing Sheets

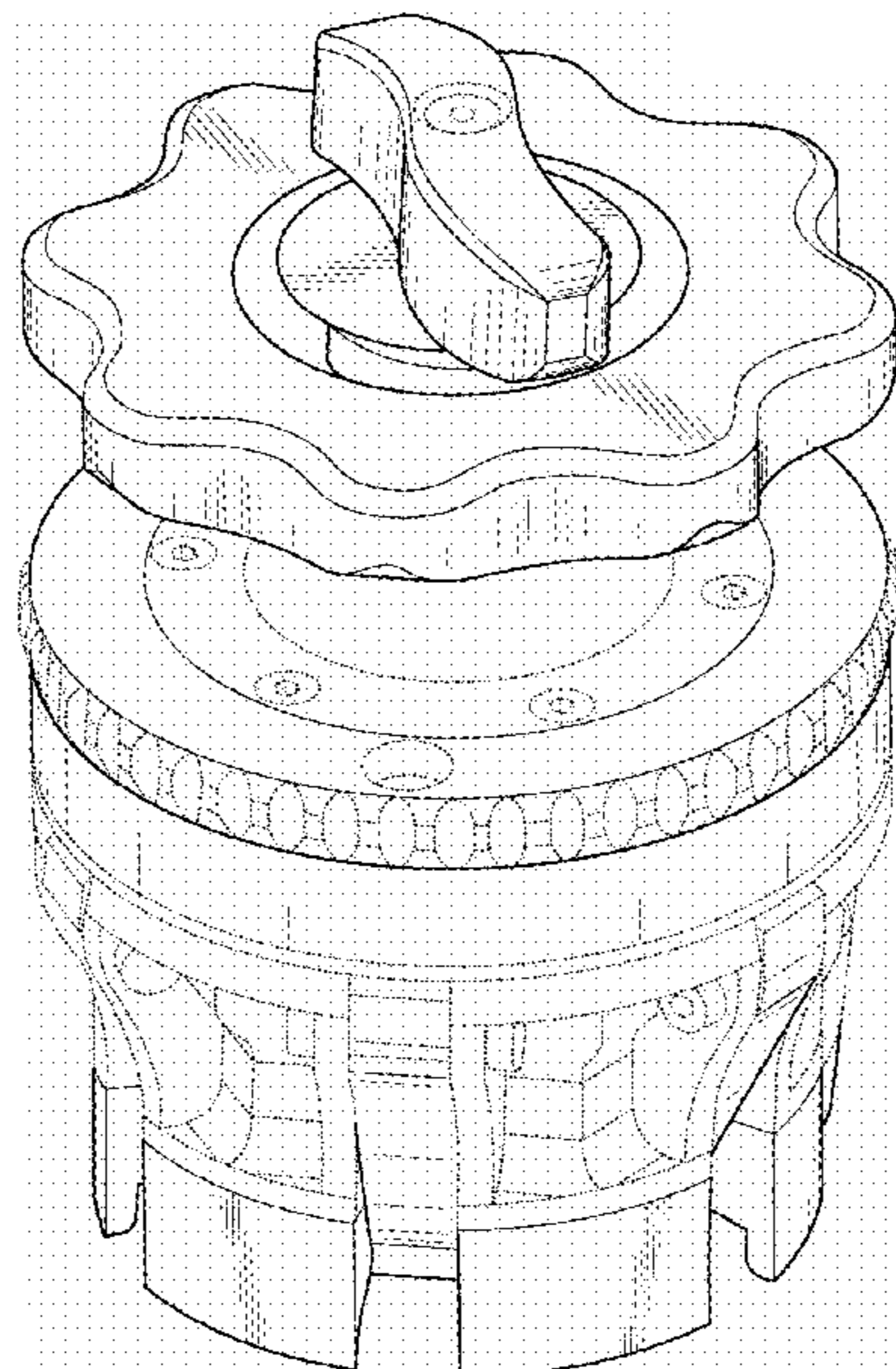


FIG. 1

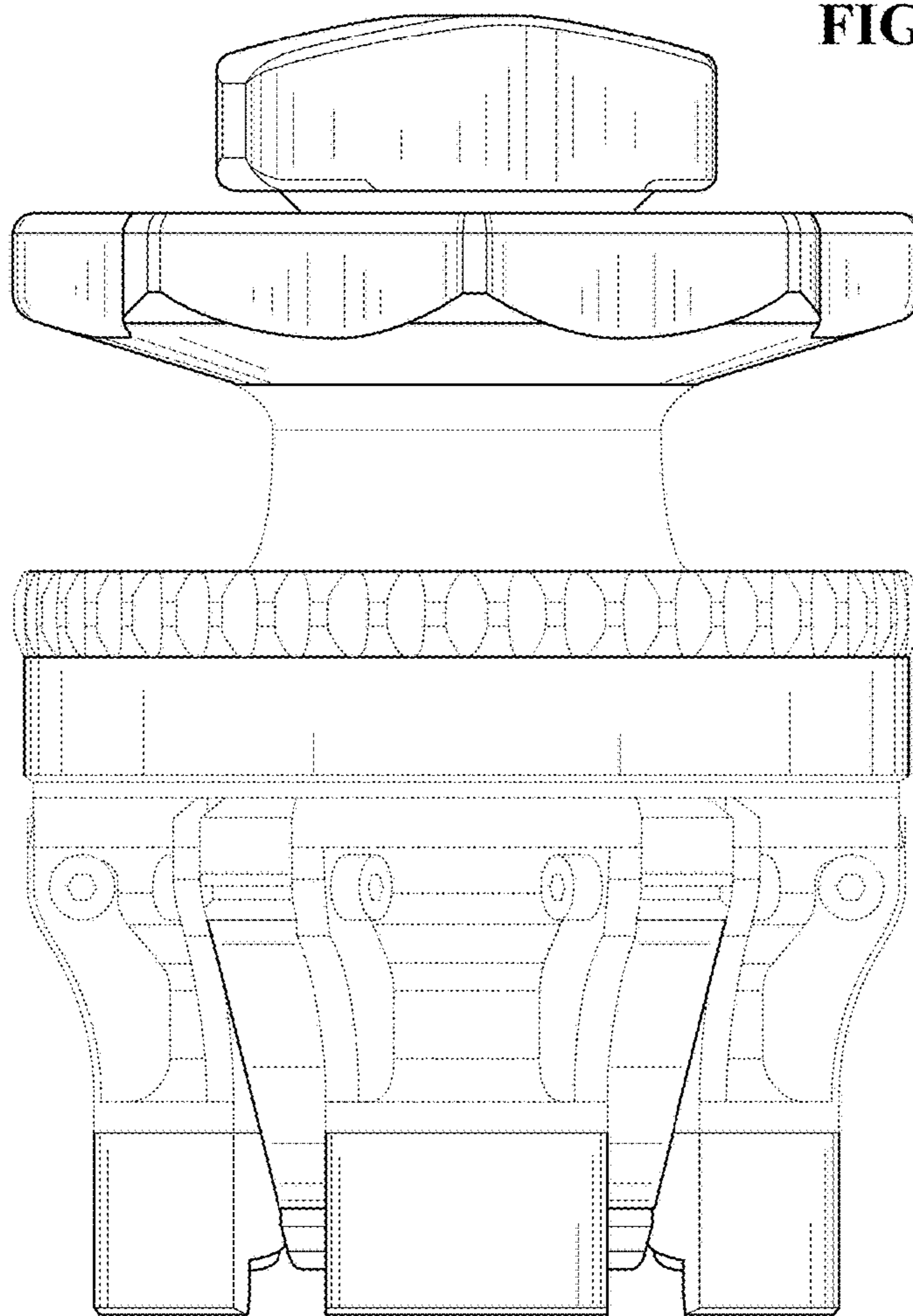


FIG. 2

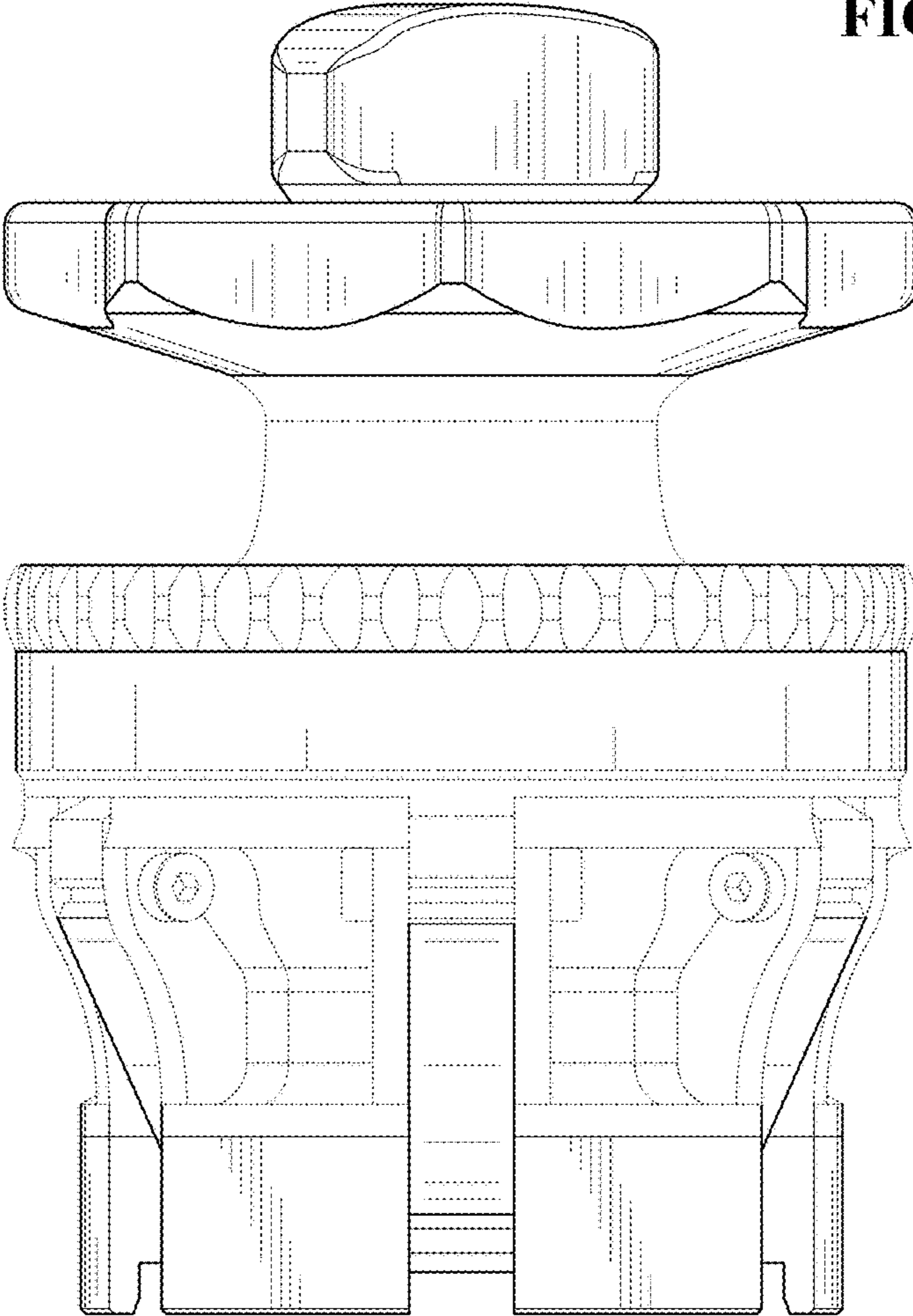


FIG. 3

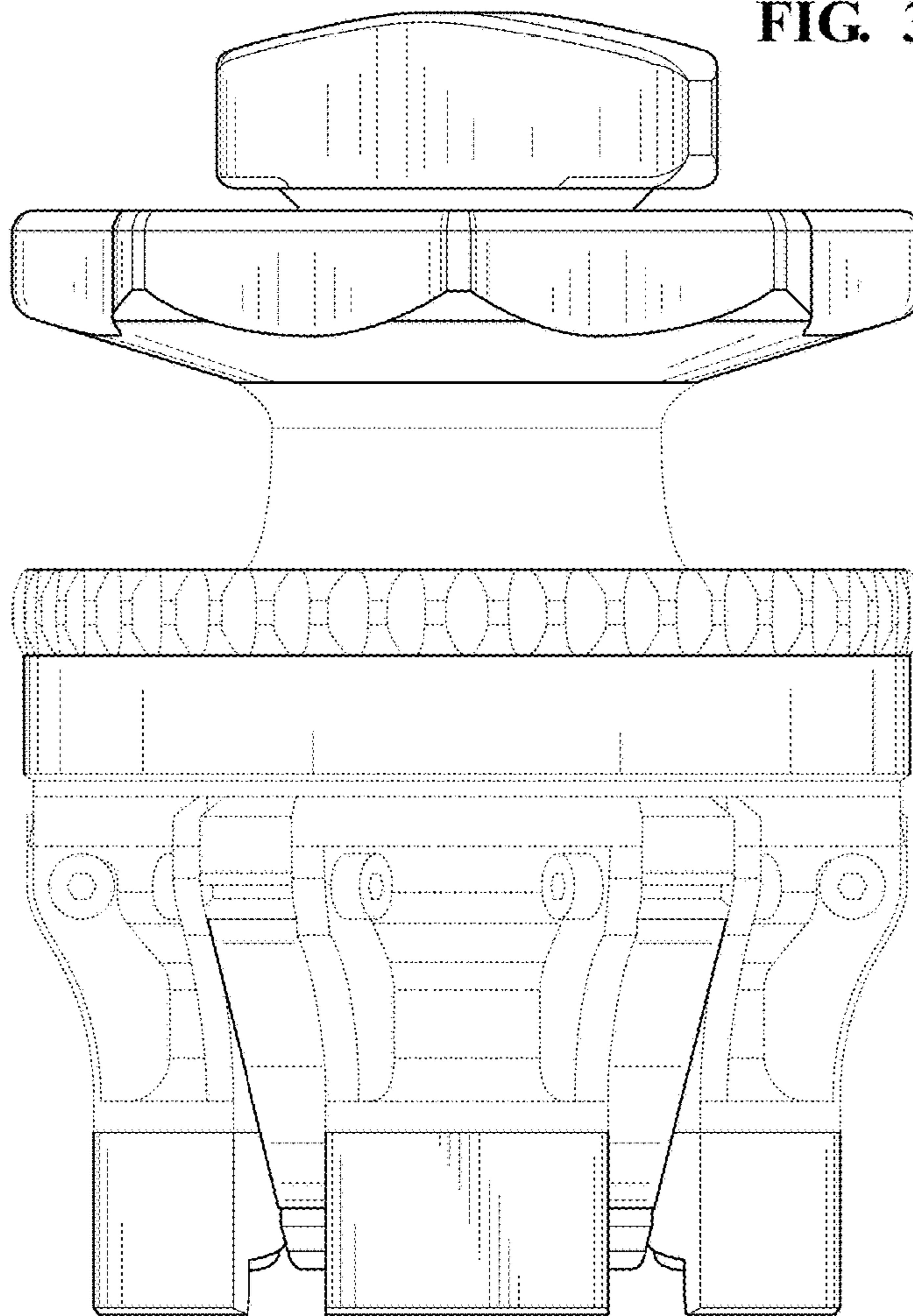


FIG. 4

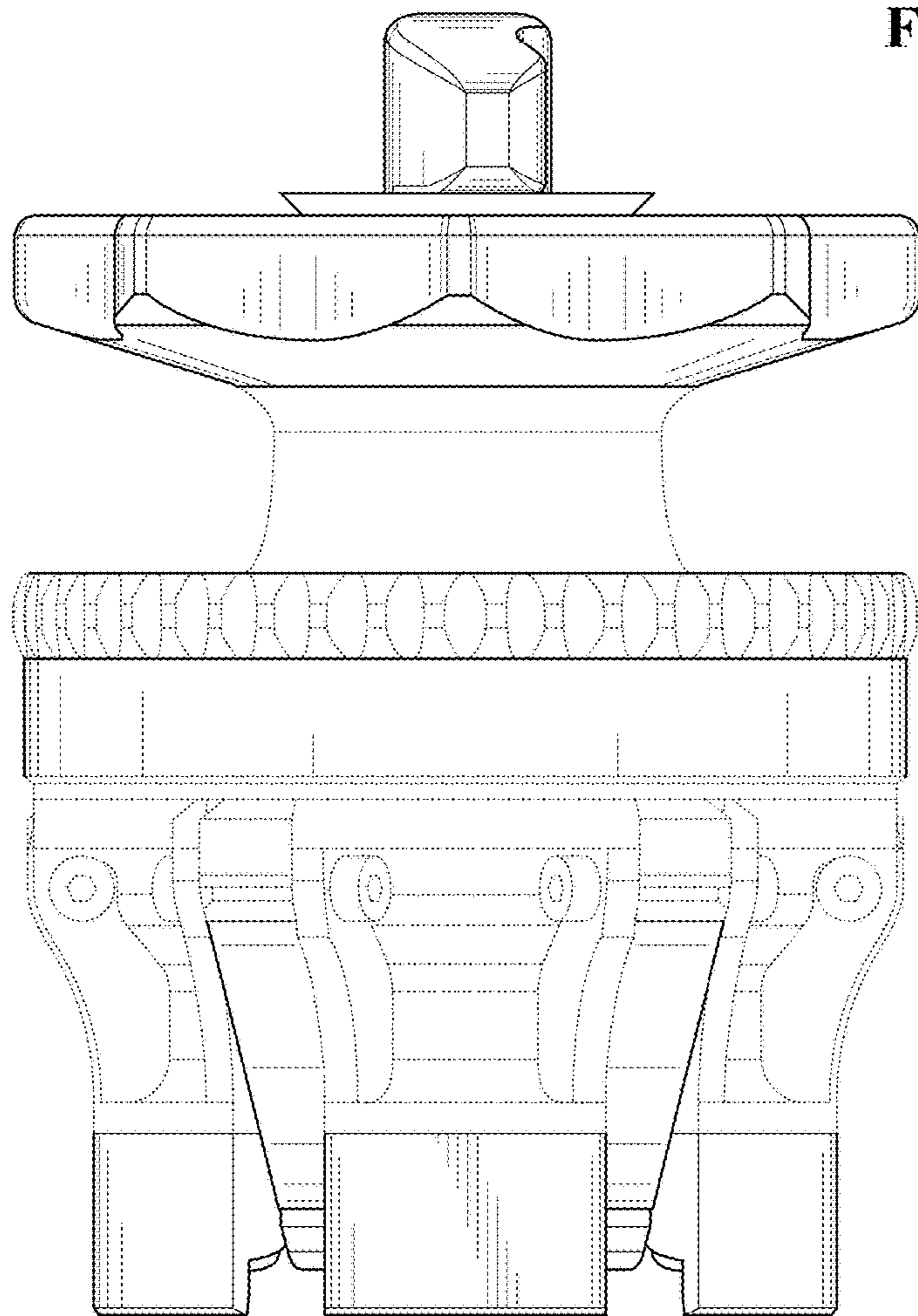


FIG. 5

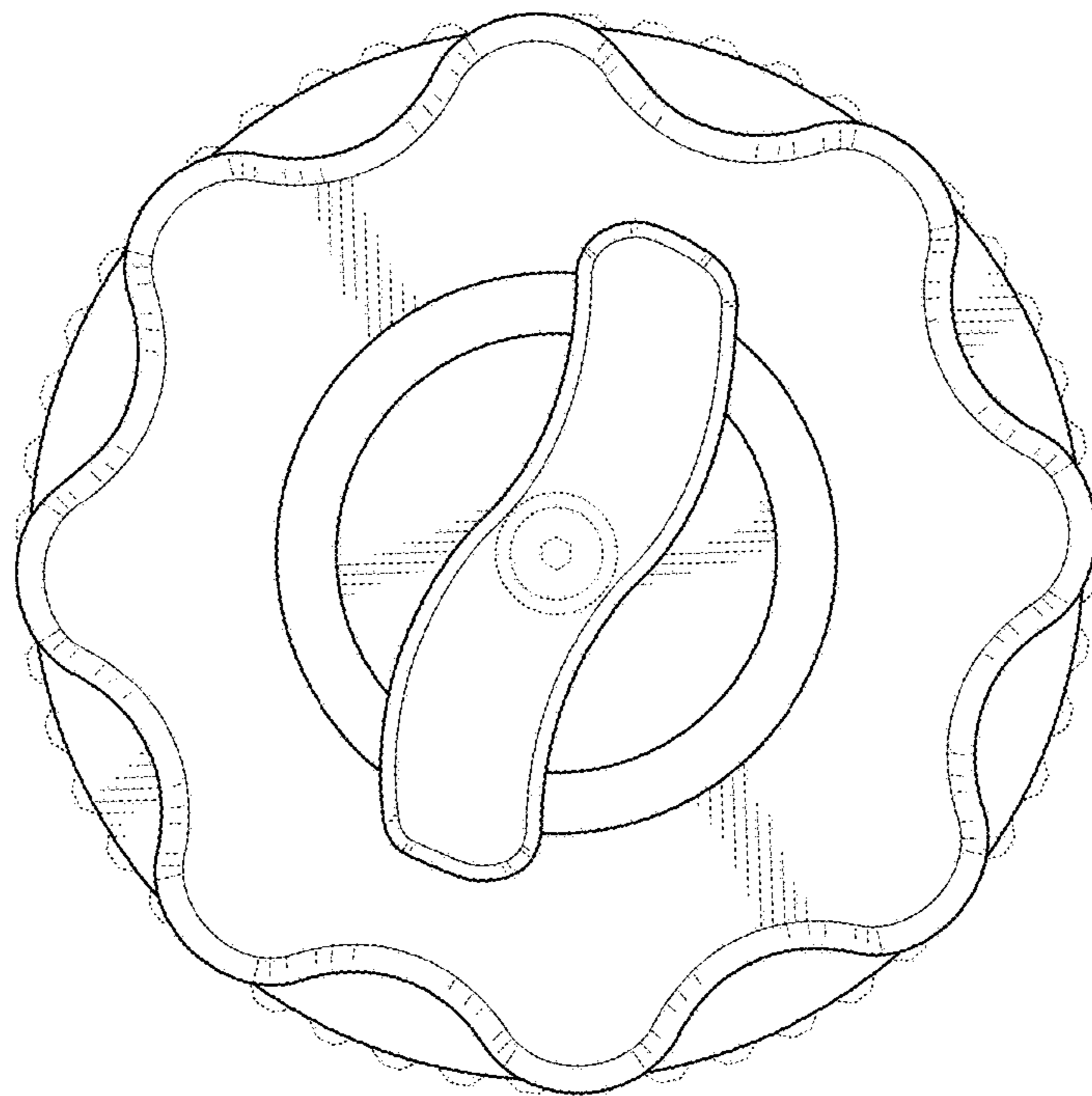


FIG. 6

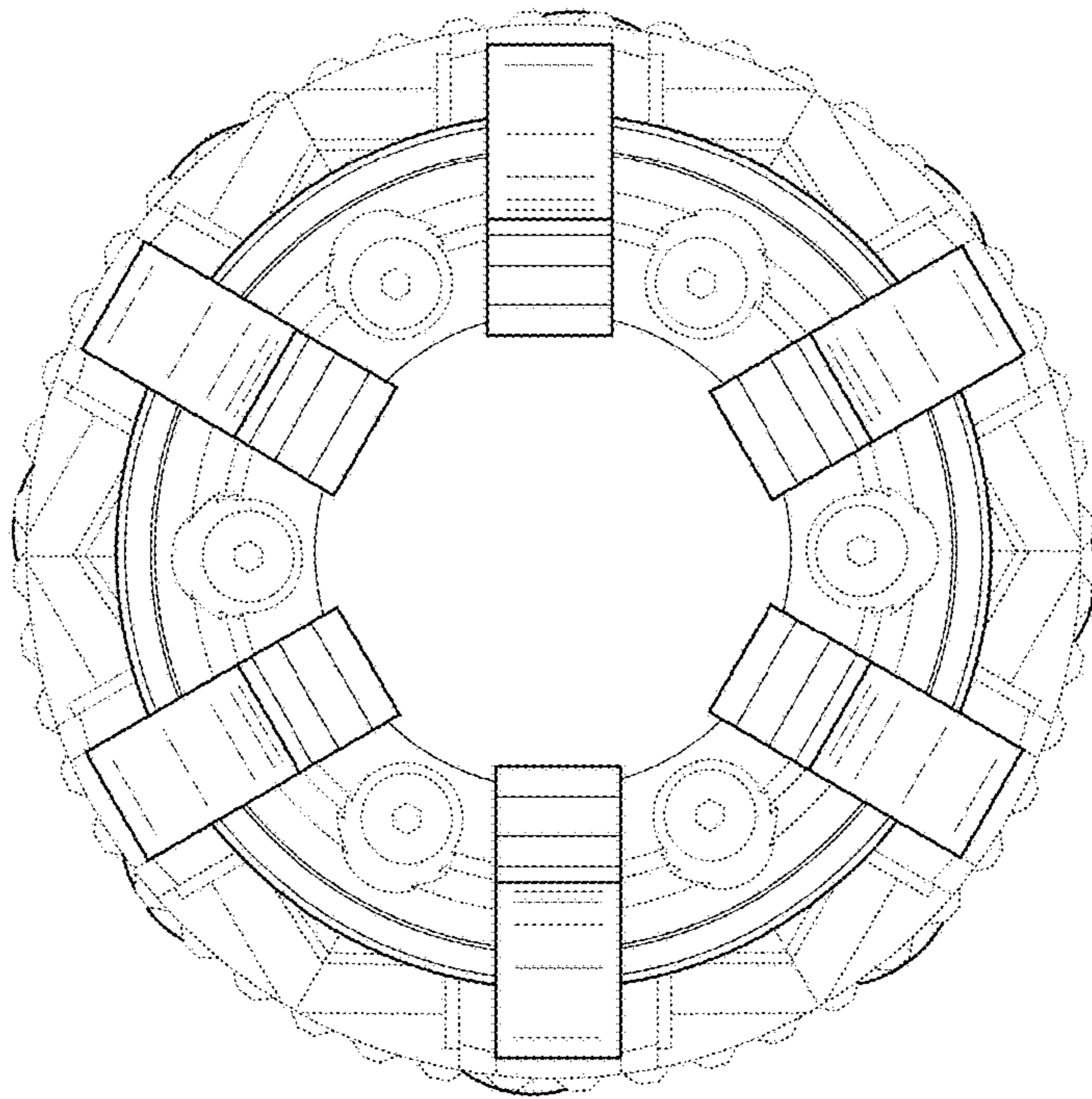


FIG. 7

