



US00D842059S

(12) **United States Design Patent**
Hsu

(10) **Patent No.:** **US D842,059 S**
(45) **Date of Patent:** **** Mar. 5, 2019**

(54) **PIVOTAL WRENCH HEAD**

8,806,988 B2 * 8/2014 Chang B25B 13/12
81/126

(71) Applicant: **YuTu Hsu**, Taichung (TW)

* cited by examiner

(72) Inventor: **YuTu Hsu**, Taichung (TW)

Primary Examiner — Randall H Gholson

(73) Assignee: **Son Yuio Industrial Co., Ltd.**,
Taichung (TW)

(**) Term: **15 Years**

(57) **CLAIM**

(21) Appl. No.: **29/630,183**

The ornamental design for a pivotal wrench head, as shown and described.

(22) Filed: **Dec. 19, 2017**

(51) **LOC (11) Cl.** **08-05**

(52) **U.S. Cl.**

USPC **D8/28**; D8/27

(58) **Field of Classification Search**

USPC D8/17, 21, 27, 28, 29; 81/58, 58.2, 119,
81/124.2, 124.4, 125.1, 186, 121.1

CPC B25B 13/02; B25B 13/08; B25B 13/04;
B25B 13/065; B25B 13/06

See application file for complete search history.

DESCRIPTION

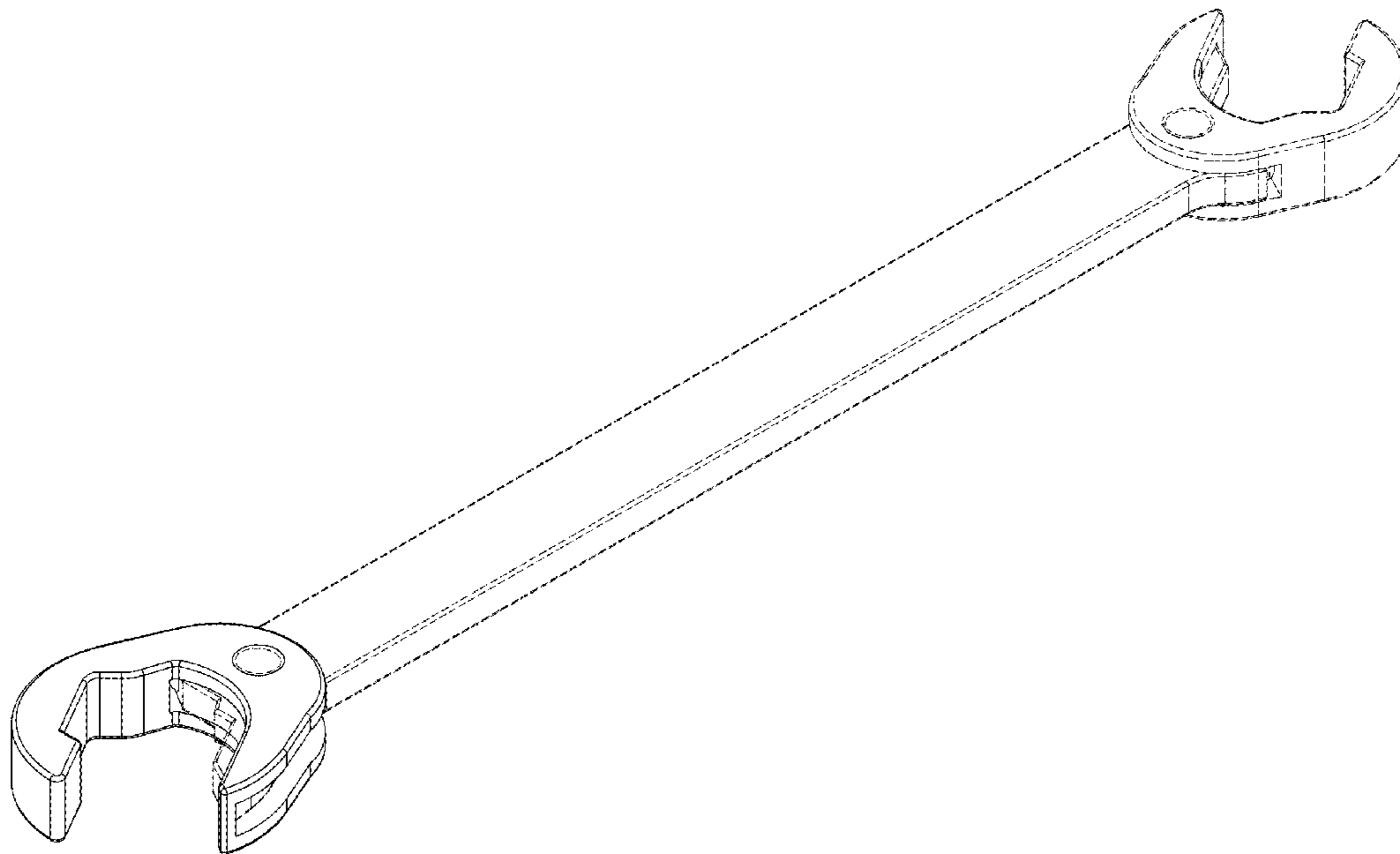
FIG. 1 is a perspective view of a pivotal wrench head showing my new design;
FIG. 2 is a front view thereof;
FIG. 3 is a rear view thereof;
FIG. 4 is a left side view thereof;
FIG. 5 is a right side view thereof;
FIG. 6 is a top plan view thereof;
FIG. 7 is a bottom plan view thereof; and,
FIG. 8 is an alternate perspective view thereof showing my new design in an exemplary environment.
The broken line showing of the environment in FIG. 8 is included for the purpose of illustrating and forms no part of the claimed design.

(56) **References Cited**

U.S. PATENT DOCUMENTS

- 4,084,456 A * 4/1978 Pasbrig B25B 13/12
81/177.8
- D600,083 S * 9/2009 Kerce D8/28
- D674,673 S * 1/2013 Heidelberger D8/28

1 Claim, 8 Drawing Sheets



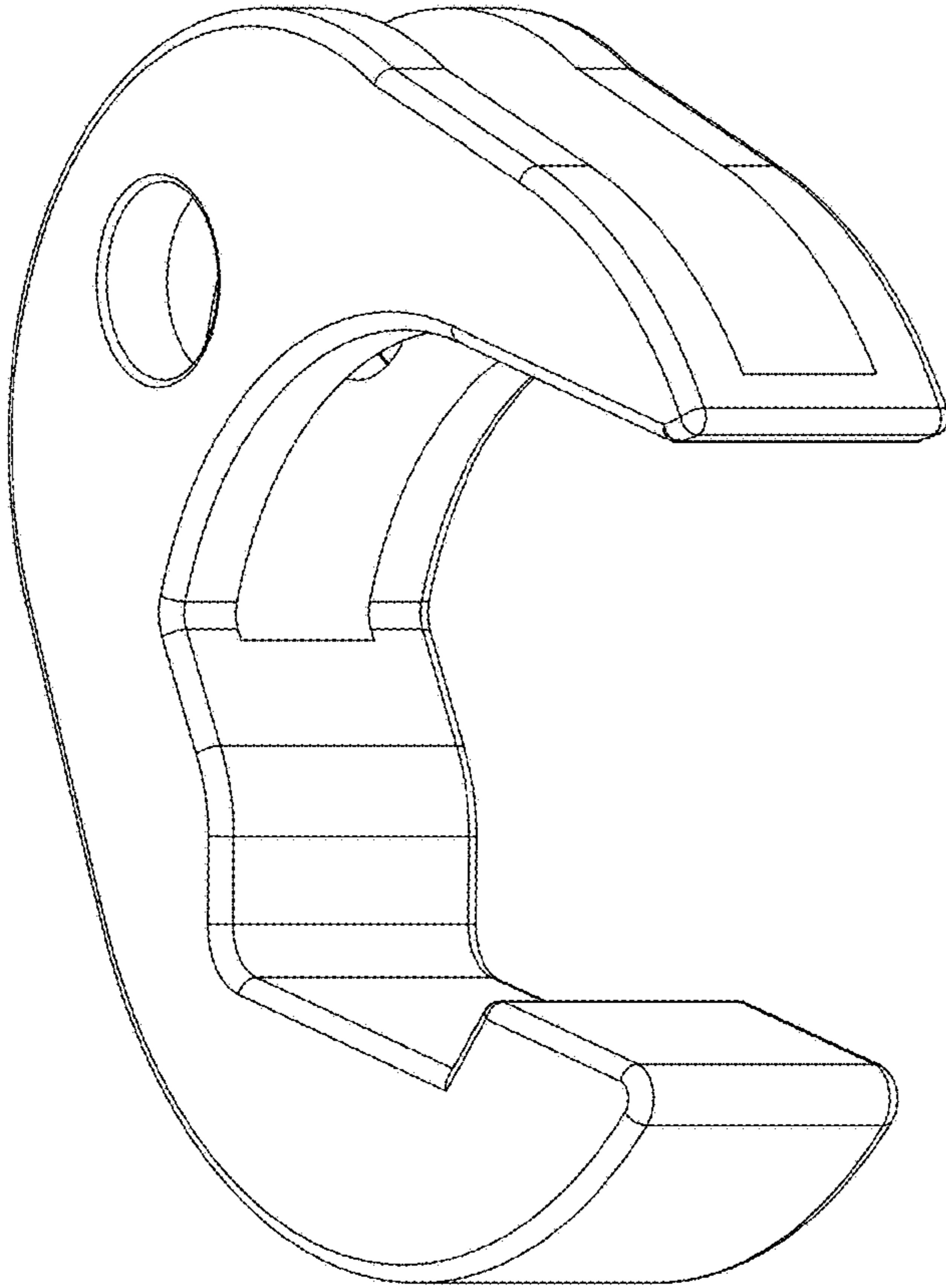


FIG. 1

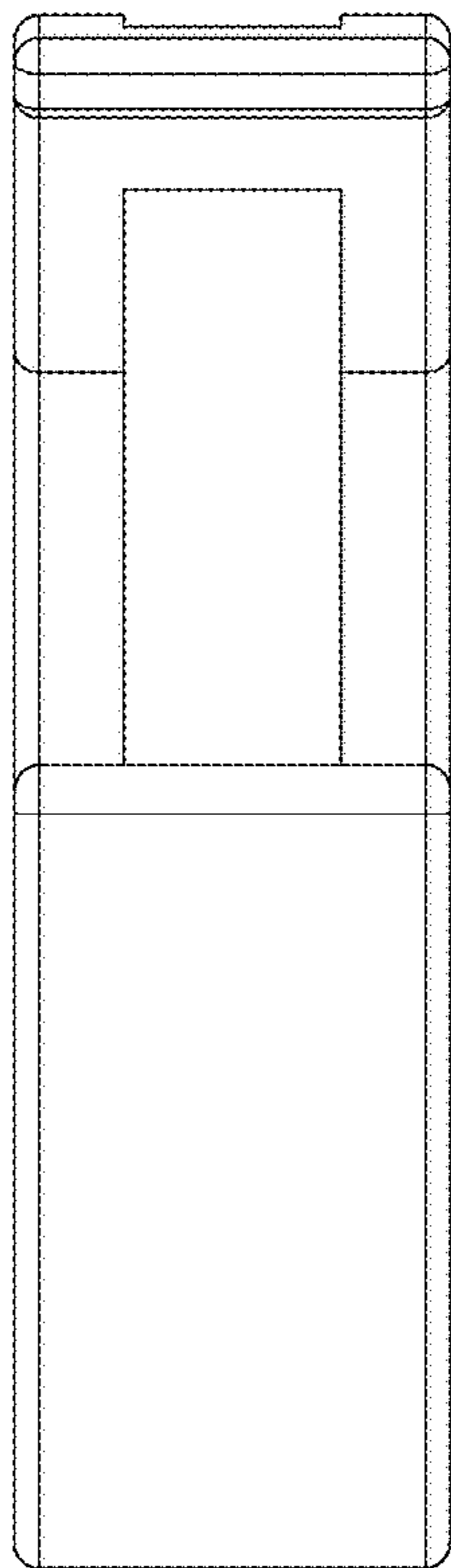


FIG. 2

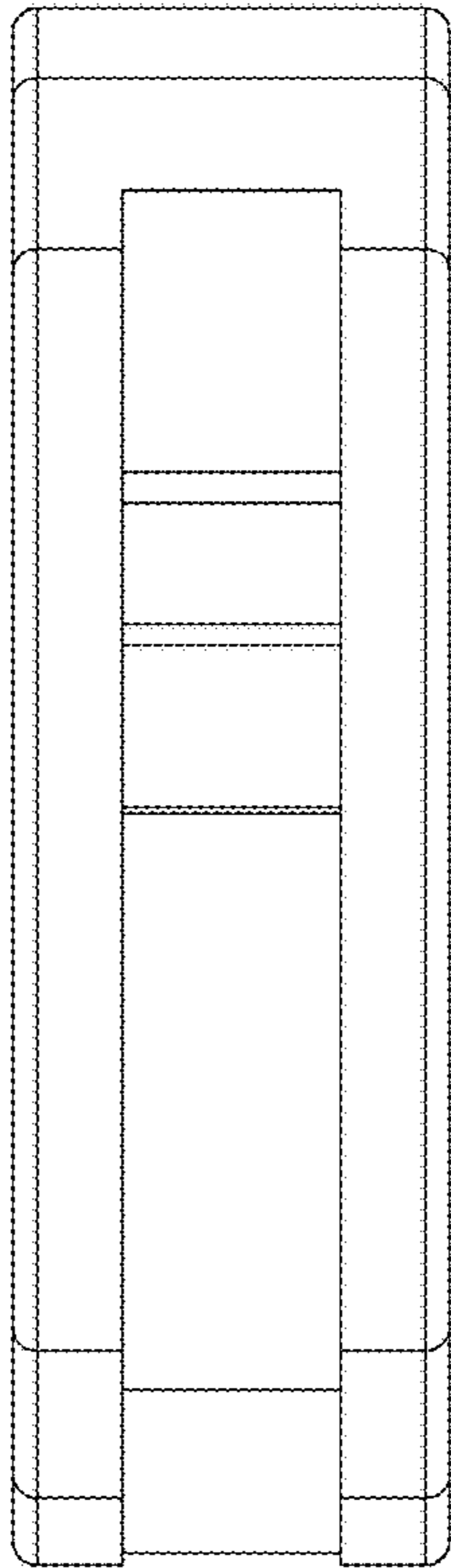


FIG. 3

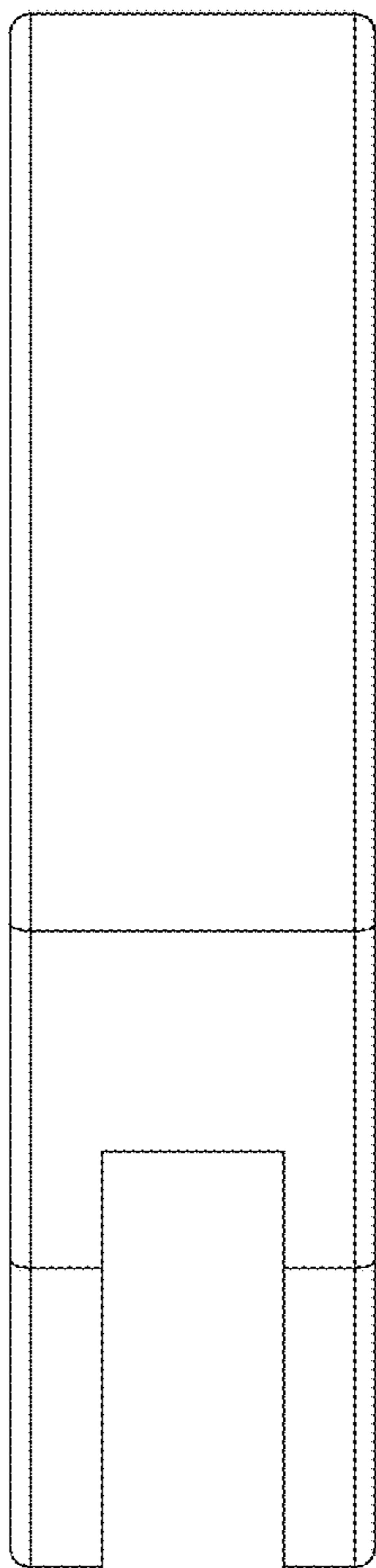


FIG. 4

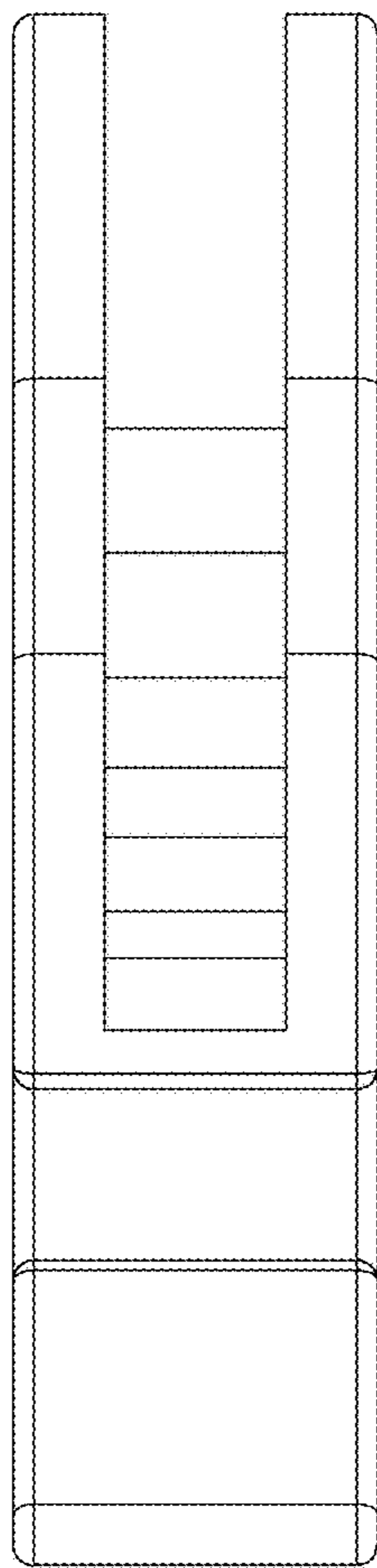


FIG. 5

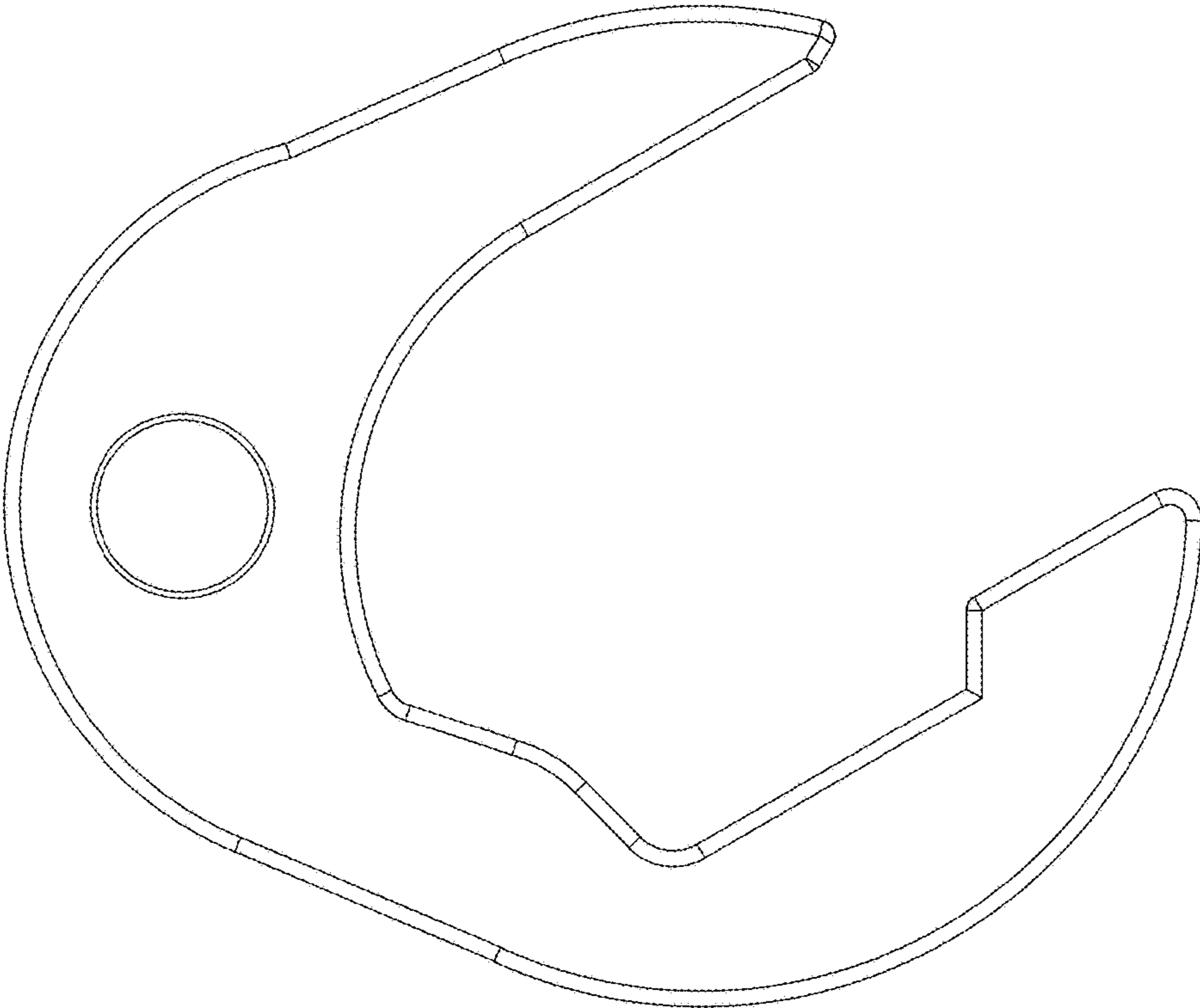


FIG. 6

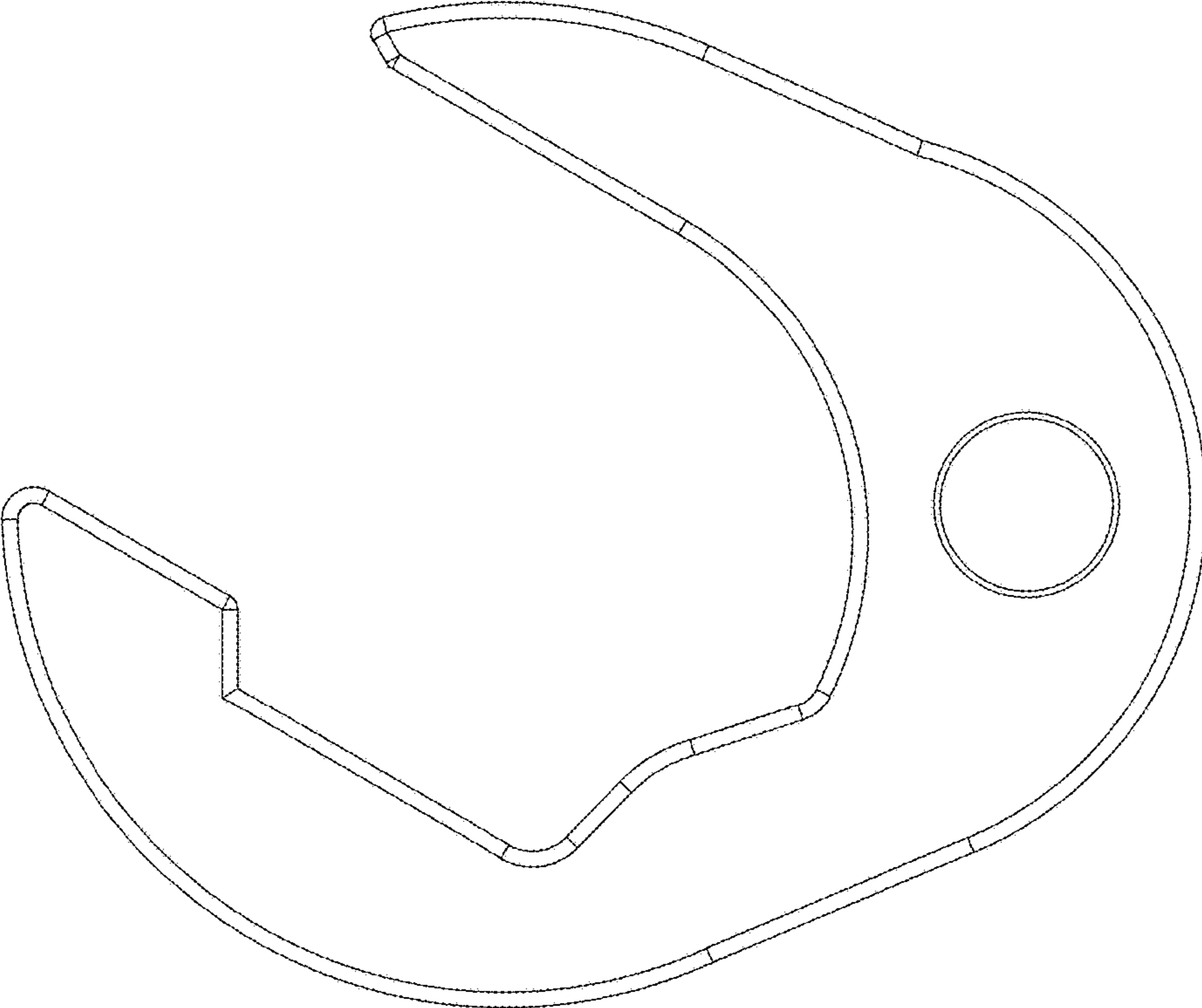


FIG. 7

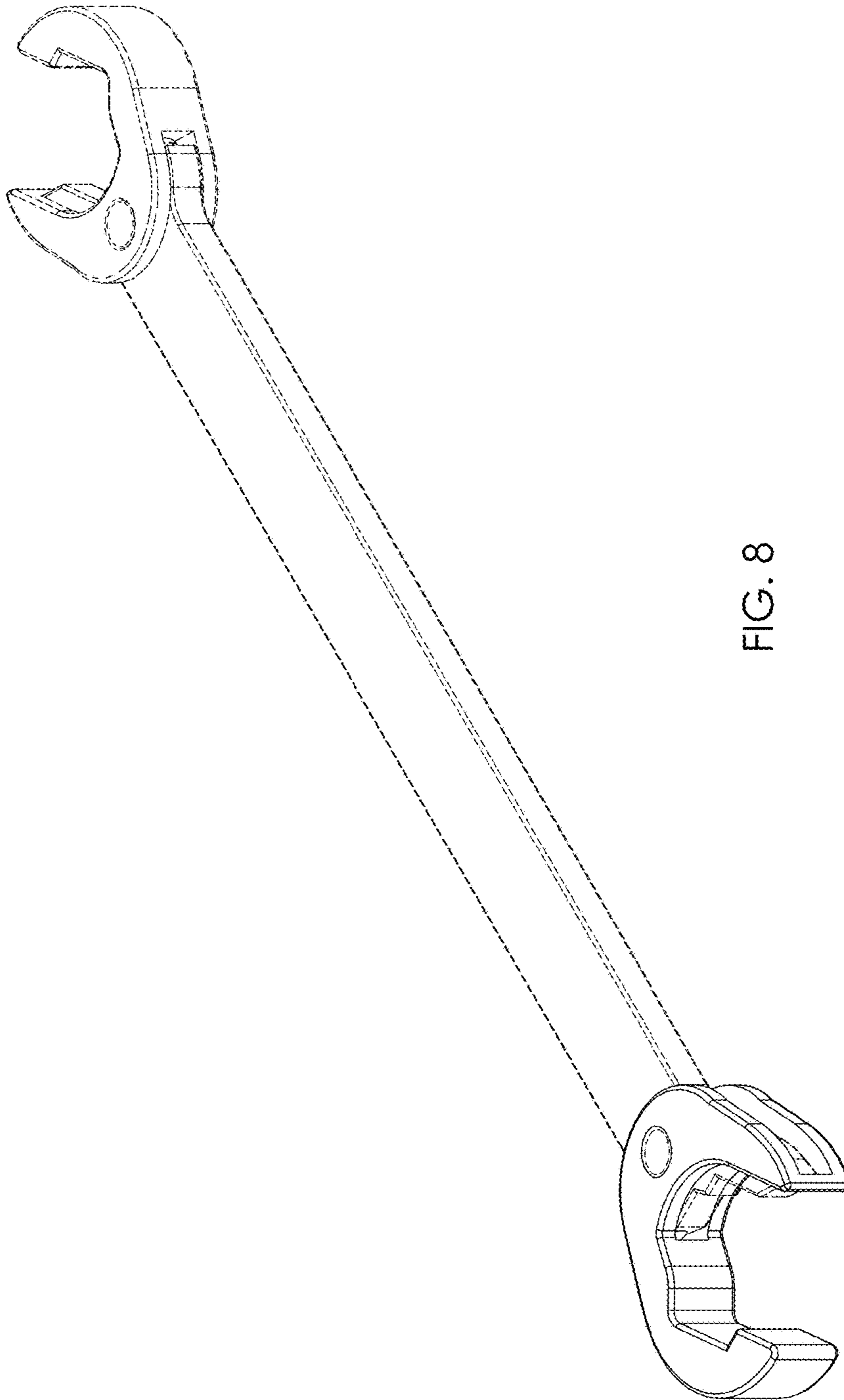


FIG. 8