

US00D842056S

(12) **United States Design Patent**  
**Golledge et al.**

(10) **Patent No.:** **US D842,056 S**  
(45) **Date of Patent:** **\*\* Mar. 5, 2019**

- (54) **STAKE**
- (71) Applicants: **Lyndon Golledge**, Bowral (AU);  
**Malcolm Golledge**, Bowral (AU)
- (72) Inventors: **Lyndon Golledge**, Bowral (AU);  
**Malcolm Golledge**, Bowral (AU)
- (73) Assignee: **BFRE Pty Ltd.**, Bowral (AU)
- (\*\*) Term: **15 Years**
- (21) Appl. No.: **29/624,997**
- (22) Filed: **Nov. 6, 2017**
- (51) **LOC (11) Cl.** ..... **21-04**
- (52) **U.S. Cl.**  
USPC ..... **D8/1; D21/840**
- (58) **Field of Classification Search**  
USPC ..... D8/1, 391, 499; D21/840  
CPC ..... E04H 15/62  
See application file for complete search history.

D674,255 S \* 1/2013 Evans ..... D8/1  
D702,515 S \* 4/2014 Garber ..... D8/1  
9,187,925 B2 \* 11/2015 Esarey ..... E04H 15/62  
2003/0084620 A1 \* 5/2003 Benincasa ..... E02D 5/80  
52/155

\* cited by examiner

*Primary Examiner* — Lakiya G Rogers  
*Assistant Examiner* — Harold E Blackwell, II

(57) **CLAIM**

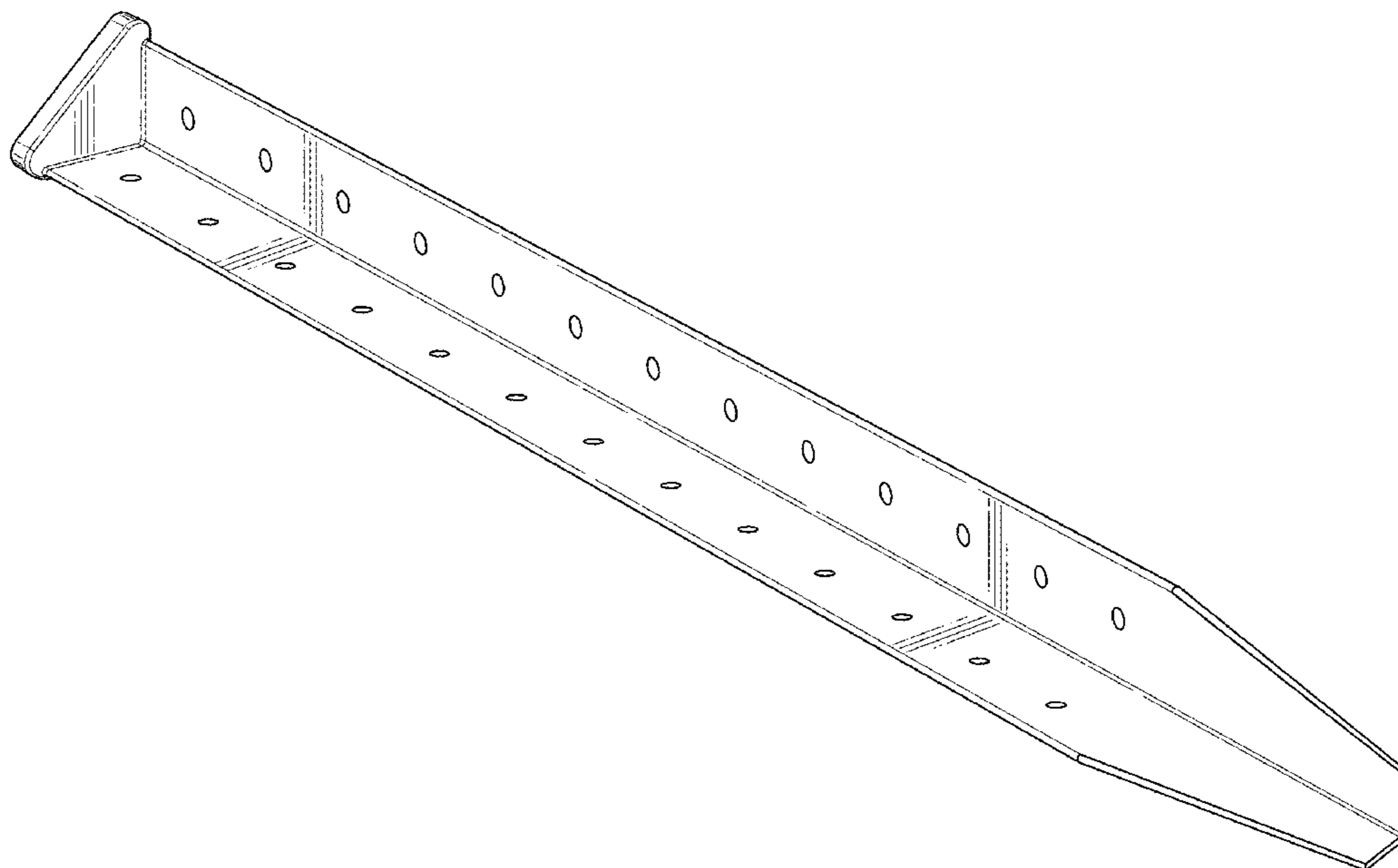
The ornamental design for the stake, as shown.

**DESCRIPTION**

FIG. 1 is an isometric view of a stake, showing the new design.  
FIG. 2 is a front elevation view of FIG. 1.  
FIG. 3 is a rear elevation view of FIG. 1.  
FIG. 4 is a left side elevation view of FIG. 1.  
FIG. 5 is a right side elevation view of FIG. 1.  
FIG. 6 is a top elevation view of FIG. 1; and,  
FIG. 7 is a bottom elevation view of FIG. 1.

**1 Claim, 4 Drawing Sheets**

- (56) **References Cited**  
U.S. PATENT DOCUMENTS  
3,788,336 A \* 1/1974 Steffes ..... E04H 15/62  
135/118  
6,606,829 B2 \* 8/2003 Benincasa ..... E02D 5/80  
114/230.16



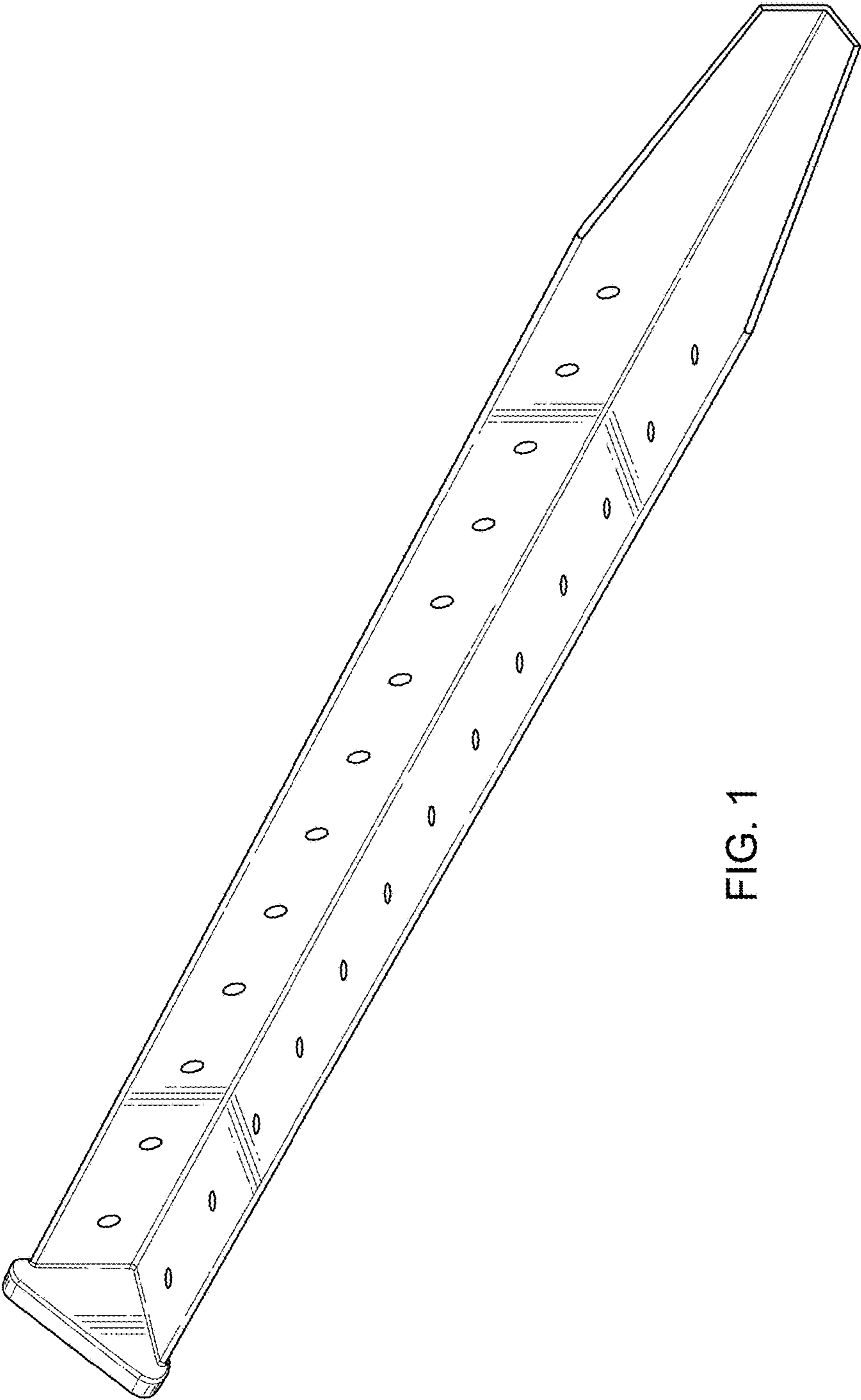


FIG. 1

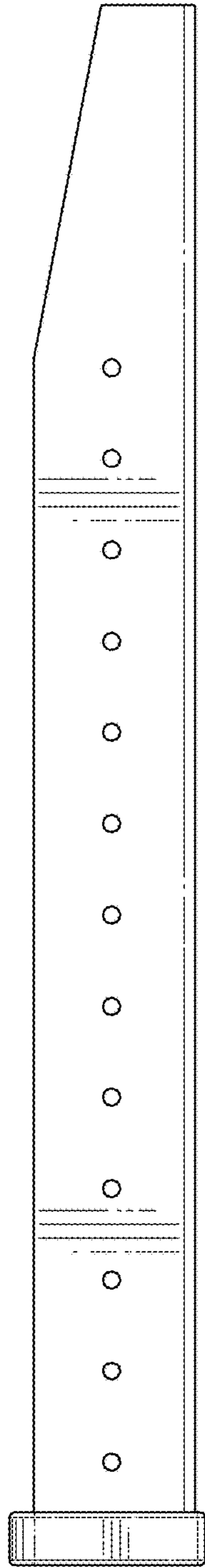


FIG. 2

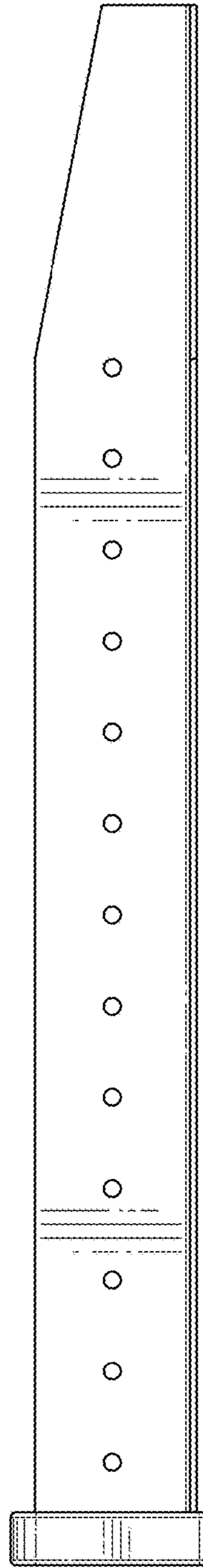


FIG. 3

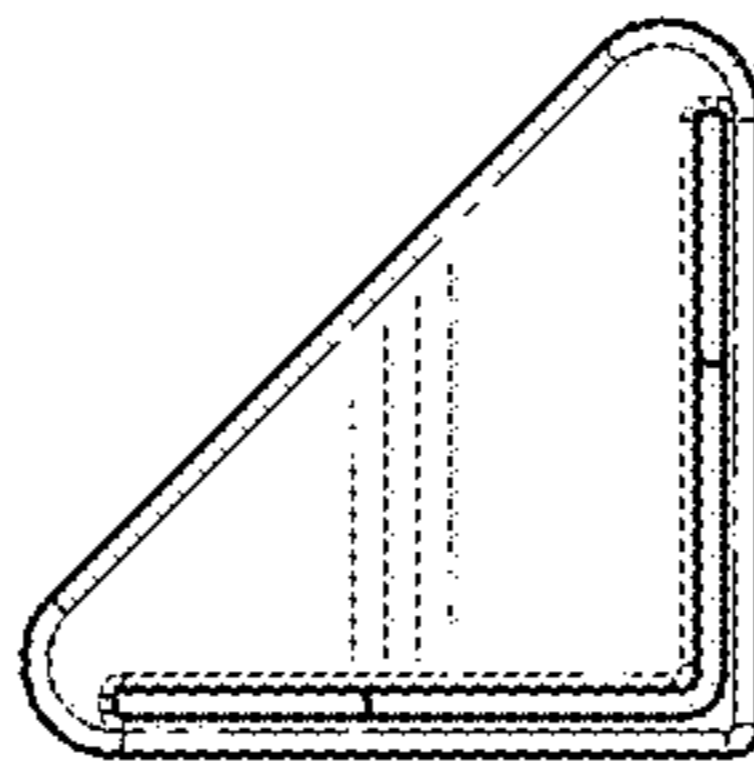


FIG. 5

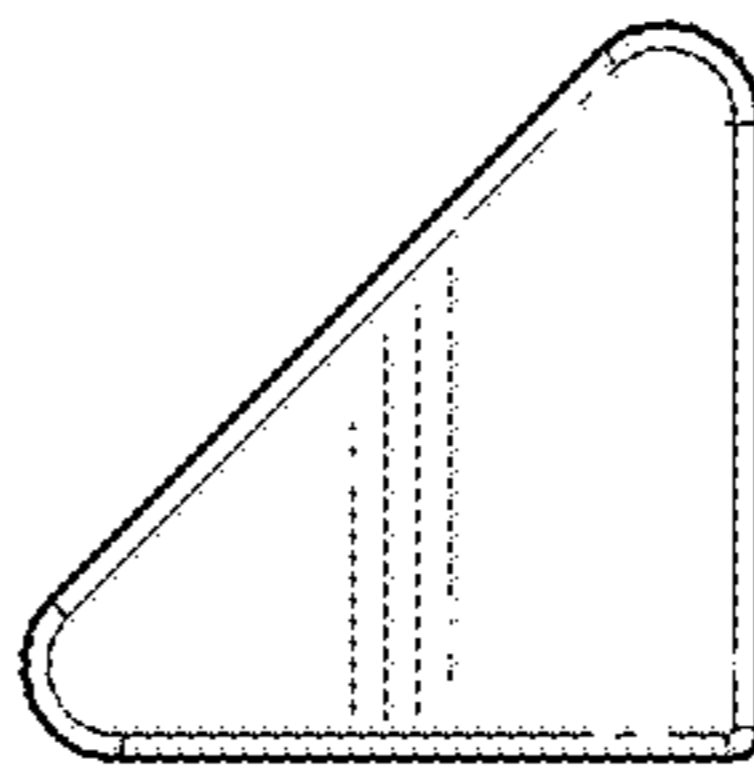


FIG. 4

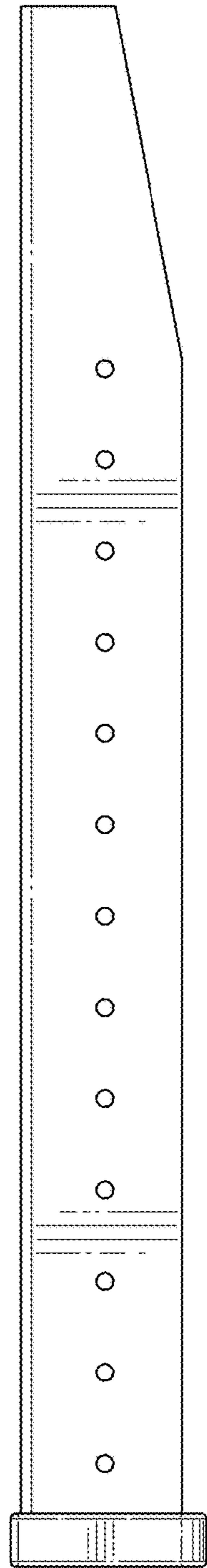


FIG. 6

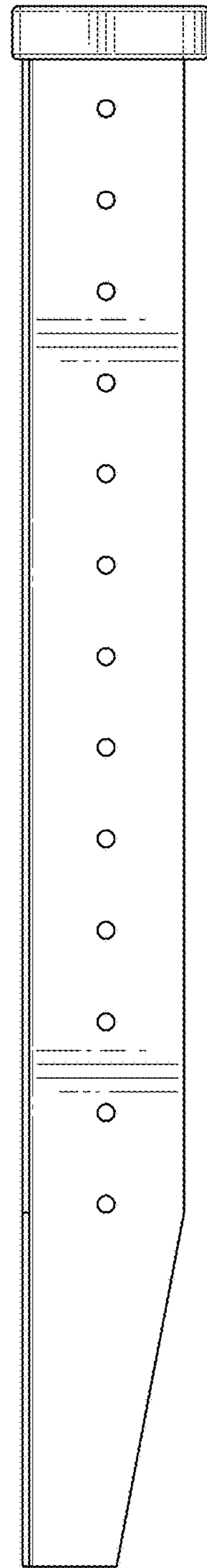


FIG. 7