



US00D842054S

(12) **United States Design Patent** (10) **Patent No.:** **US D842,054 S**
Boehm (45) **Date of Patent:** **** Mar. 5, 2019**

- (54) **COCKTAIL STRAINER**
- (71) Applicant: **COCKTAIL KINGDOM LLC**, New York, NY (US)
- (72) Inventor: **Gregory Alfred Boehm**, New York, NY (US)
- (73) Assignee: **Cocktail Kingdom, LLC**, New York, NY (US)
- (**) Term: **15 Years**
- (21) Appl. No.: **29/609,280**
- (22) Filed: **Jun. 29, 2017**

Related U.S. Application Data

- (62) Division of application No. 29/546,343, filed on Nov. 20, 2015, now Pat. No. Des. 803,014.
- (51) **LOC (11) Cl.** **07-04**
- (52) **U.S. Cl.**
USPC **D7/667**
- (58) **Field of Classification Search**
USPC D7/667, 668; 99/275; 222/189.06, 222/189.07; 210/464-475, 482, 495, 498, 210/499, 497.01; 100/110, 104
(Continued)

References Cited

U.S. PATENT DOCUMENTS

- 1,044,869 A 11/1912 Emmenegger
- D173,201 S * 10/1954 Gruber D7/667
(Continued)

OTHER PUBLICATIONS

www.bonzer.co.uk/hawthorne-strainer-epns-2ears/en

Primary Examiner — Terry A Wallace
(74) *Attorney, Agent, or Firm* — Stroock & Stroock & Lavan LLP; Jason M. Sobel

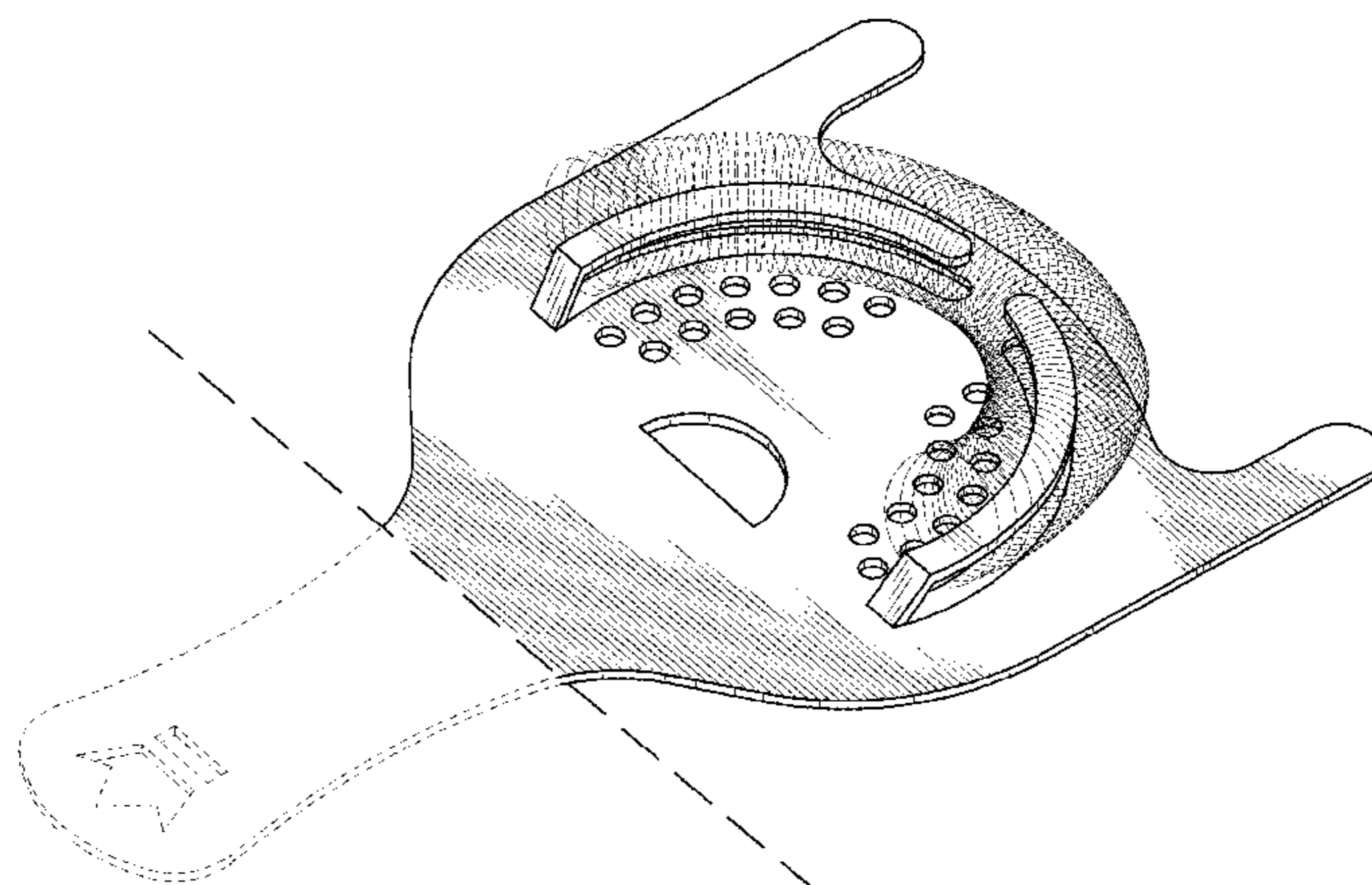
(57) **CLAIM**

The ornamental design for a cocktail strainer, as shown and described.

DESCRIPTION

FIG. 1 is a perspective view of the underside of a cocktail strainer, constructed in accordance with the present invention;
 FIG. 2 is a second perspective view of the underside of a cocktail strainer of FIG. 1.
 FIG. 3 is a perspective view of the topside of the cocktail strainer of FIG. 1;
 FIG. 4 is an underside view of the cocktail strainer of FIG. 1;
 FIG. 5 is a topside view of the cocktail strainer of FIG. 1;
 FIG. 6 is a bottom edge view of the cocktail strainer of FIG. 1;
 FIG. 7 is a top edge view of the cocktail strainer of FIG. 1;
 FIG. 8 is a side edge view of the cocktail strainer of FIG. 1;
 FIG. 9 is a perspective view of the underside of a cocktail strainer, constructed in accordance with the present invention;
 FIG. 10 is a second perspective view of the underside of a cocktail strainer of FIG. 9;
 FIG. 11 is a perspective view of the topside of the cocktail strainer of FIG. 9;
 FIG. 12 is an underside view of the cocktail strainer of FIG. 9;
 FIG. 13 is a topside view of the cocktail strainer of FIG. 9;
 FIG. 14 is a bottom edge view of the cocktail strainer of FIG. 9;
 FIG. 15 is a top edge view of the cocktail strainer of FIG. 9;
 and,
 FIG. 16 is a side edge view of the cocktail strainer of FIG. 1.
 The elements delineated in dashed or broken lines forms no part of the claimed design of the cocktail strainer.

(Continued)



The elements below the wide-dashed boundary line in FIGS. 1, 2, 3, 4, 5, 8, 9, 10, 11, 12, 13, and 16 forms no part of the claimed design of the cocktail strainer.

1 Claim, 14 Drawing Sheets

(58) **Field of Classification Search**

CPC E04D 13/076; B30B 9/02; A47J 43/27;
A47J 43/286; A47J 43/284; A47J 31/02;
A47J 43/281; B65D 47/148; B25F 1/04
See application file for complete search history.

(56) **References Cited**

U.S. PATENT DOCUMENTS

D497,524	S	*	10/2004	Marsden	D7/667
D505,598	S	*	5/2005	Fiedeler	D7/667
8,631,722	B1	*	1/2014	Davis	B25F 1/04
						7/155
D732,903	S	*	6/2015	Lee	D7/667
D732,904	S	*	6/2015	Lee	D7/667
D732,905	S	*	6/2015	Lee	D7/667
D735,508	S		6/2015	Lee		
D733,506	S	*	7/2015	Lee	D7/667
D733,507	S	*	7/2015	Lee	D7/667
D734,994	S		7/2015	Lee		
D735,538	S		8/2015	Lee		
2012/0061398	A1		3/2012	Nilsson		
2012/0147693	A1		6/2012	Bahlenhorst et al.		
2013/0160213	A1		6/2013	Salles		

* cited by examiner

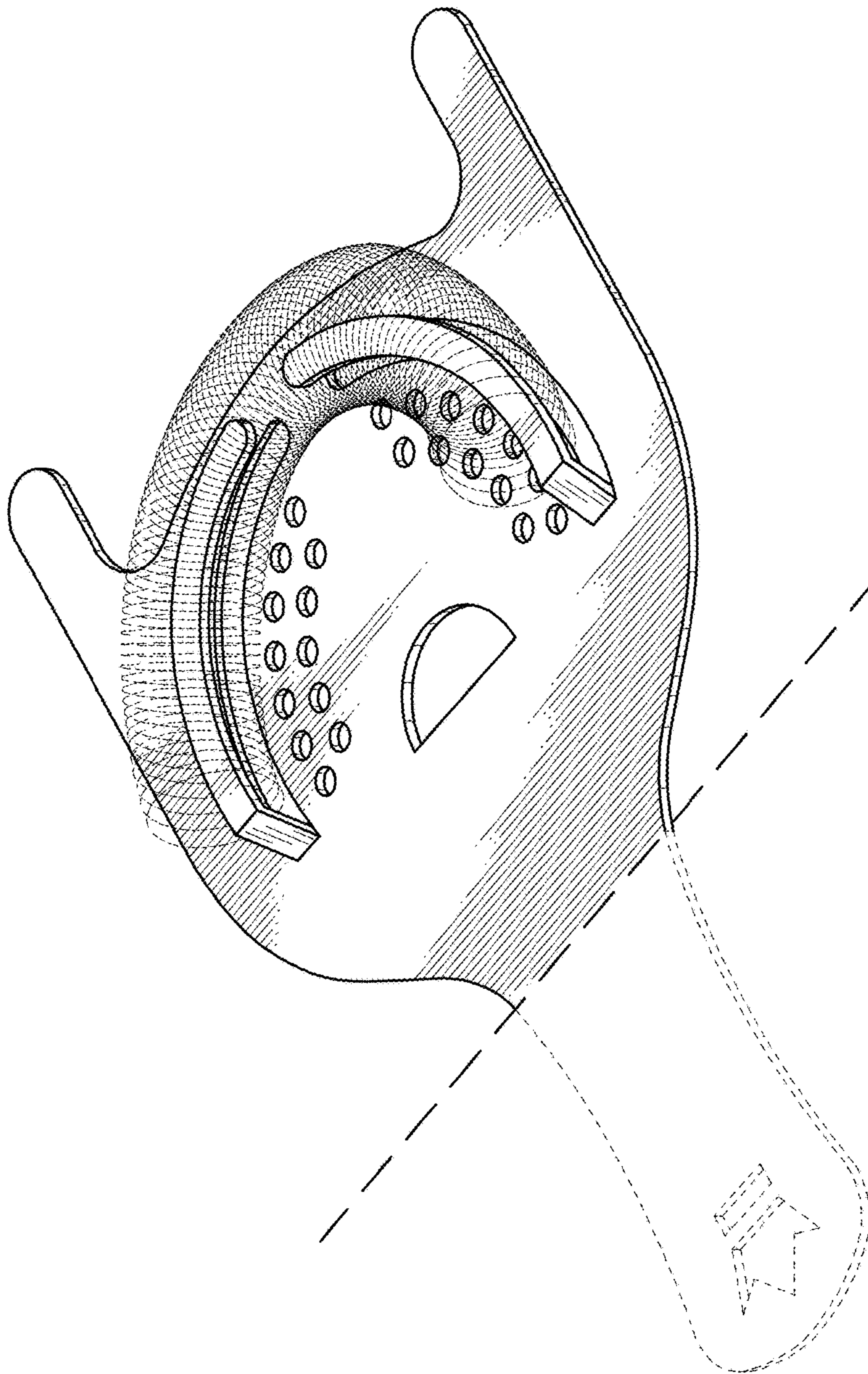


FIG. 1

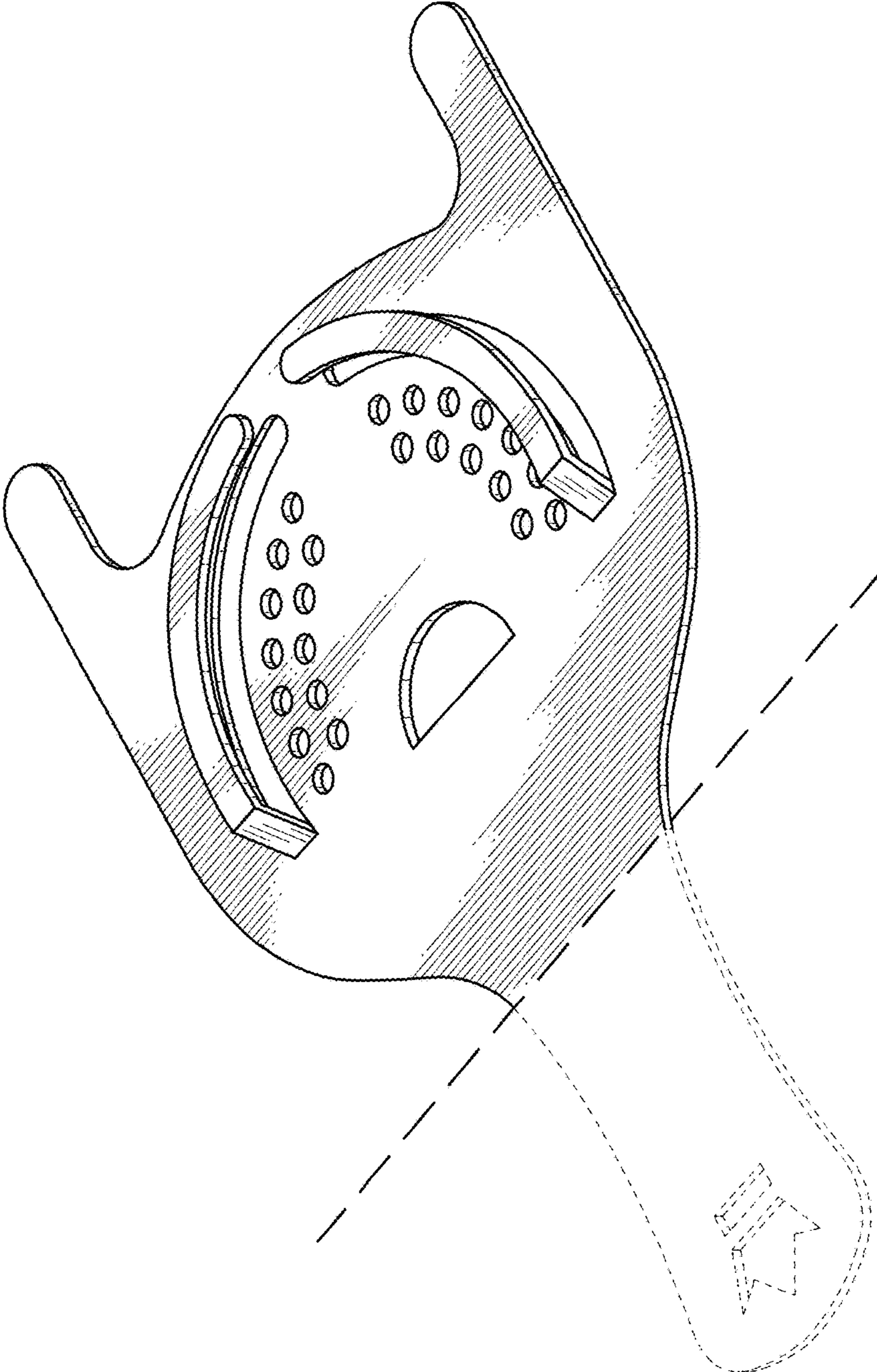


FIG. 2

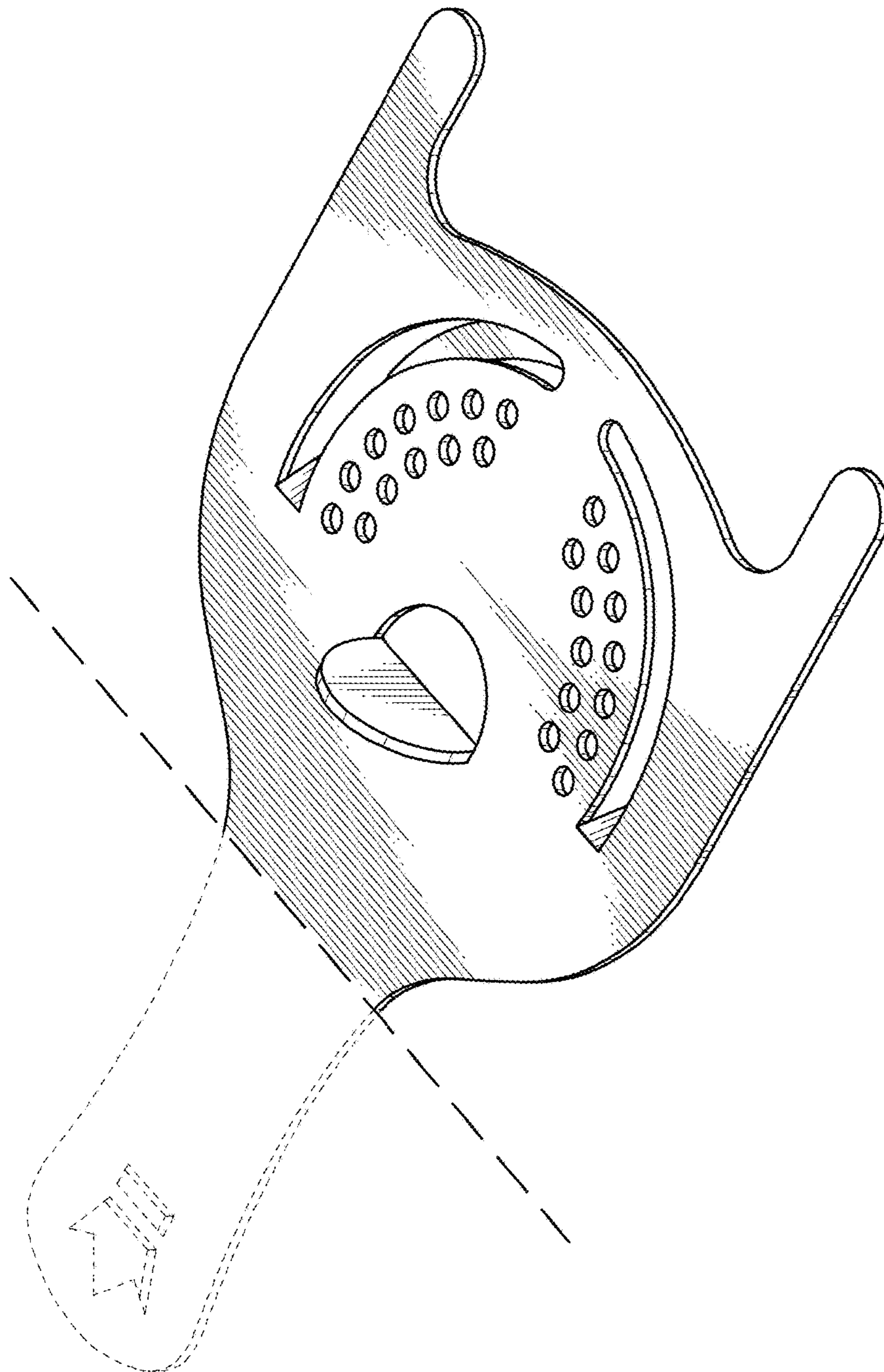


FIG. 3

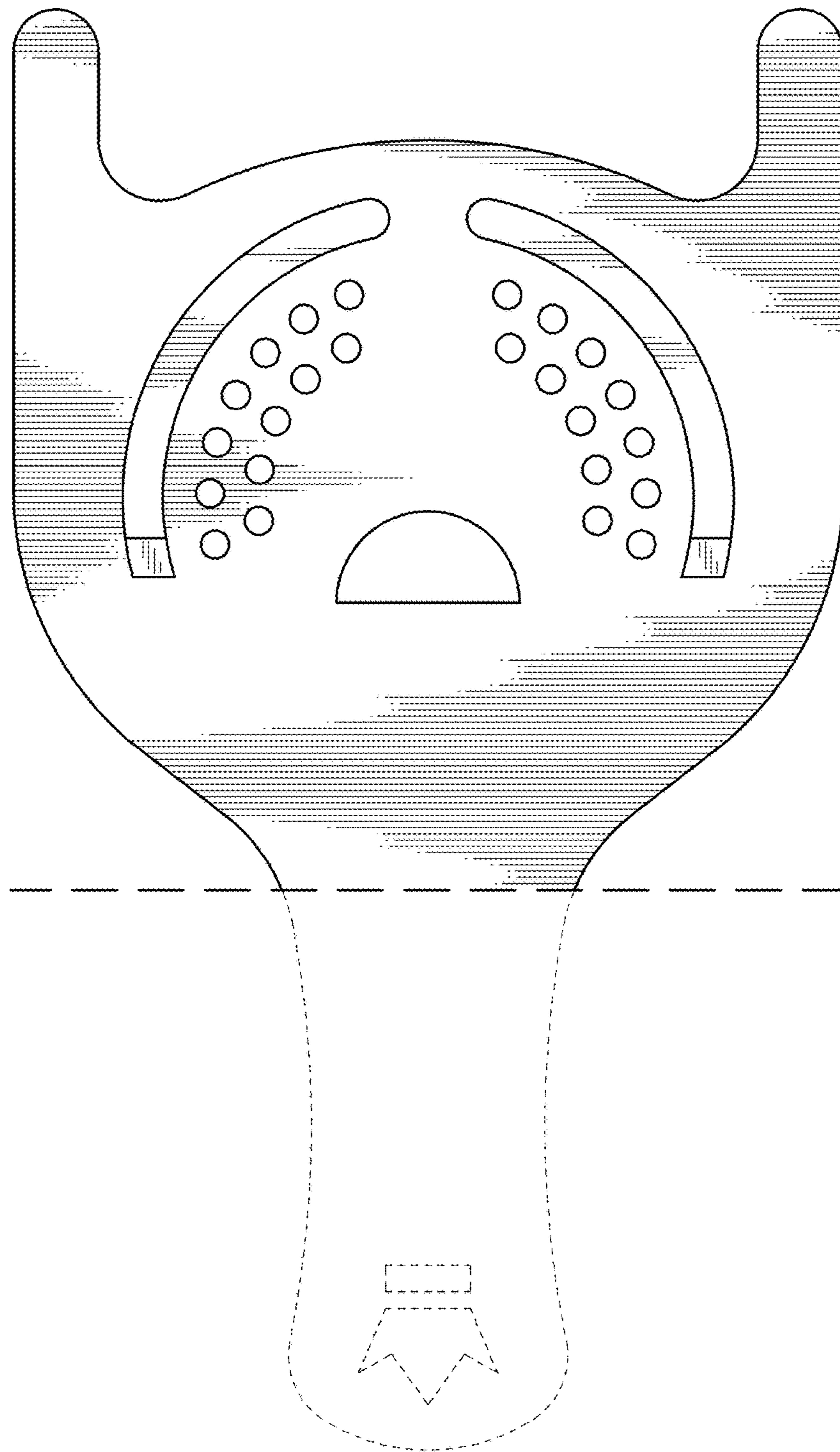


FIG. 4

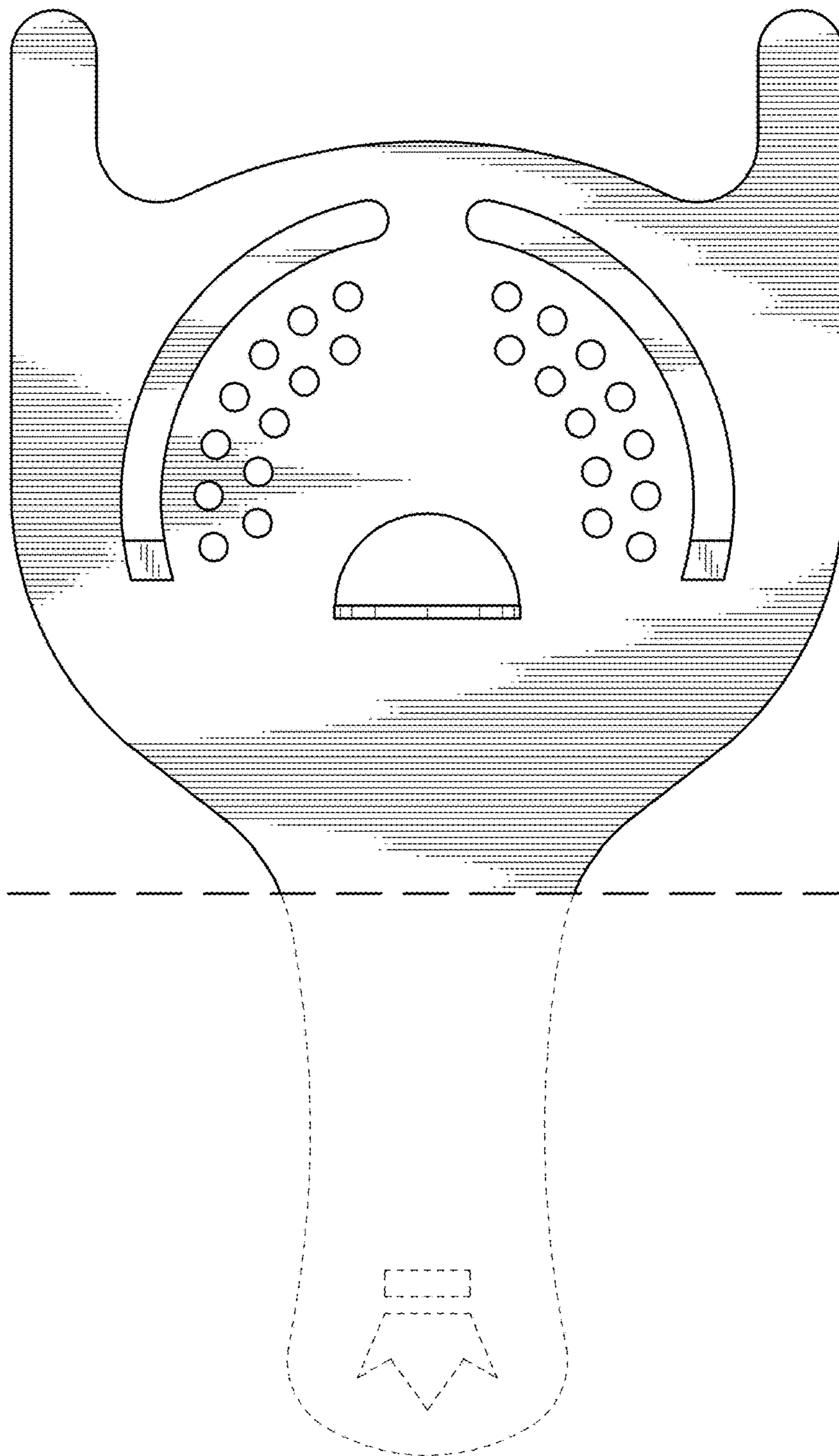


FIG. 5

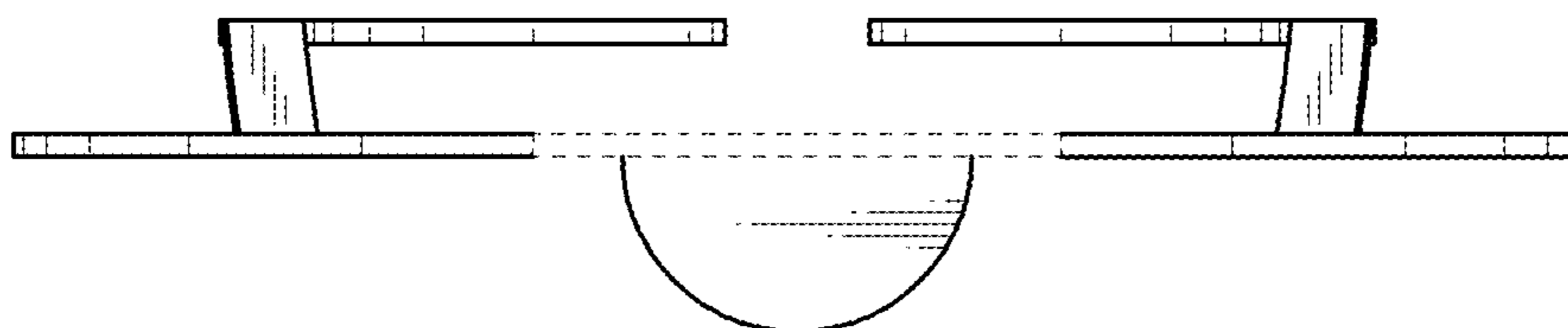


FIG. 6

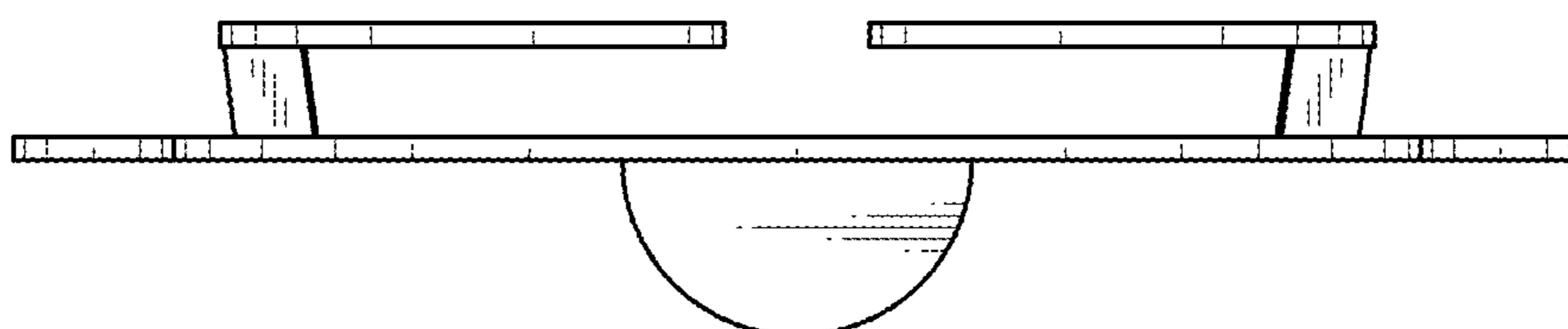


FIG. 7

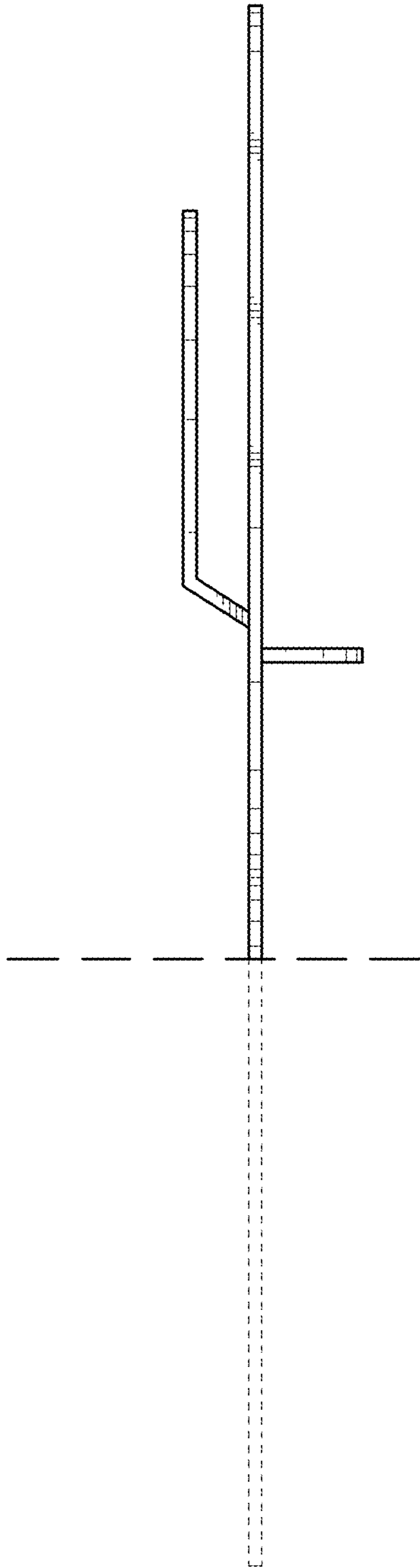


FIG. 8

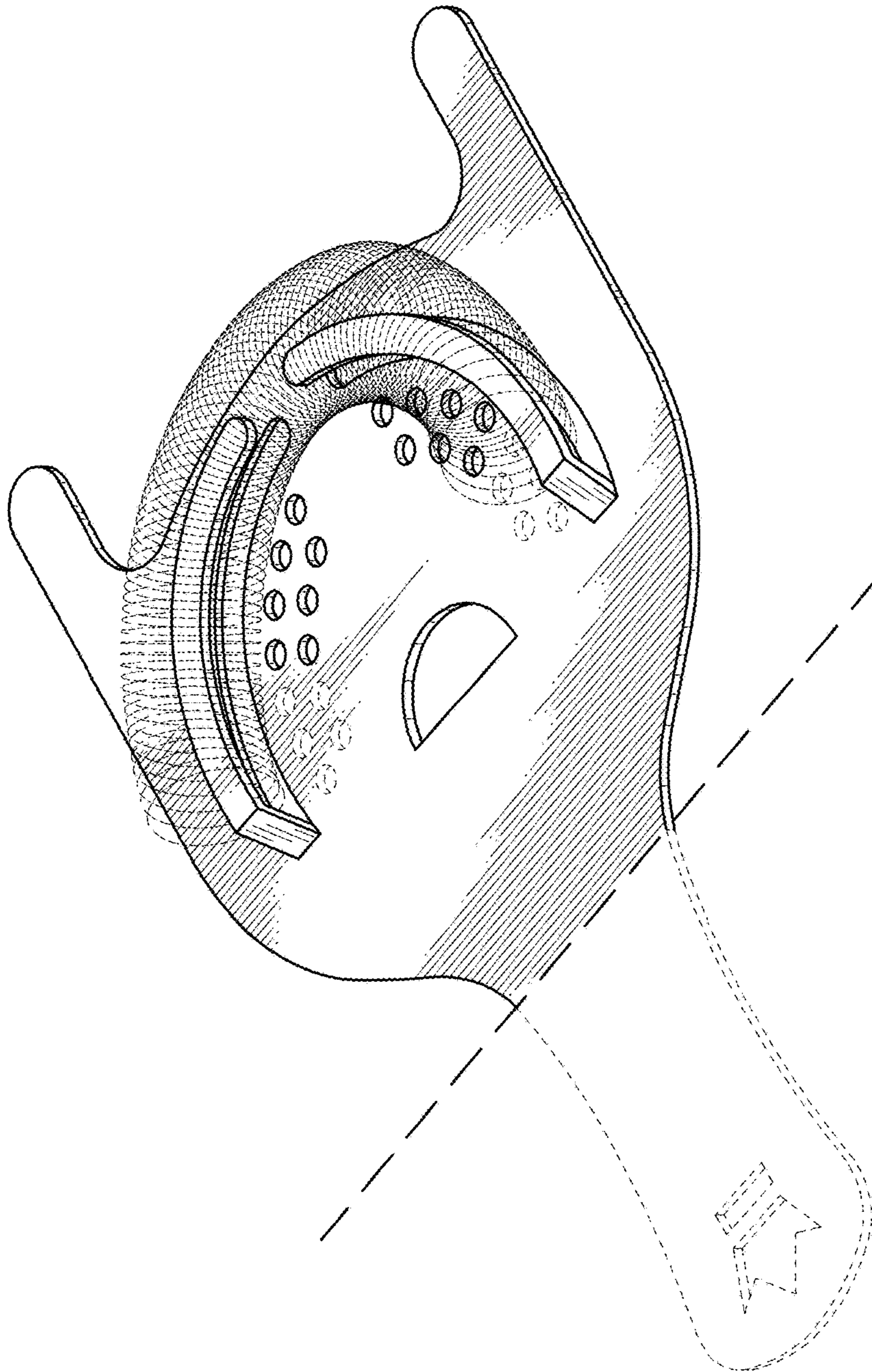


FIG. 9

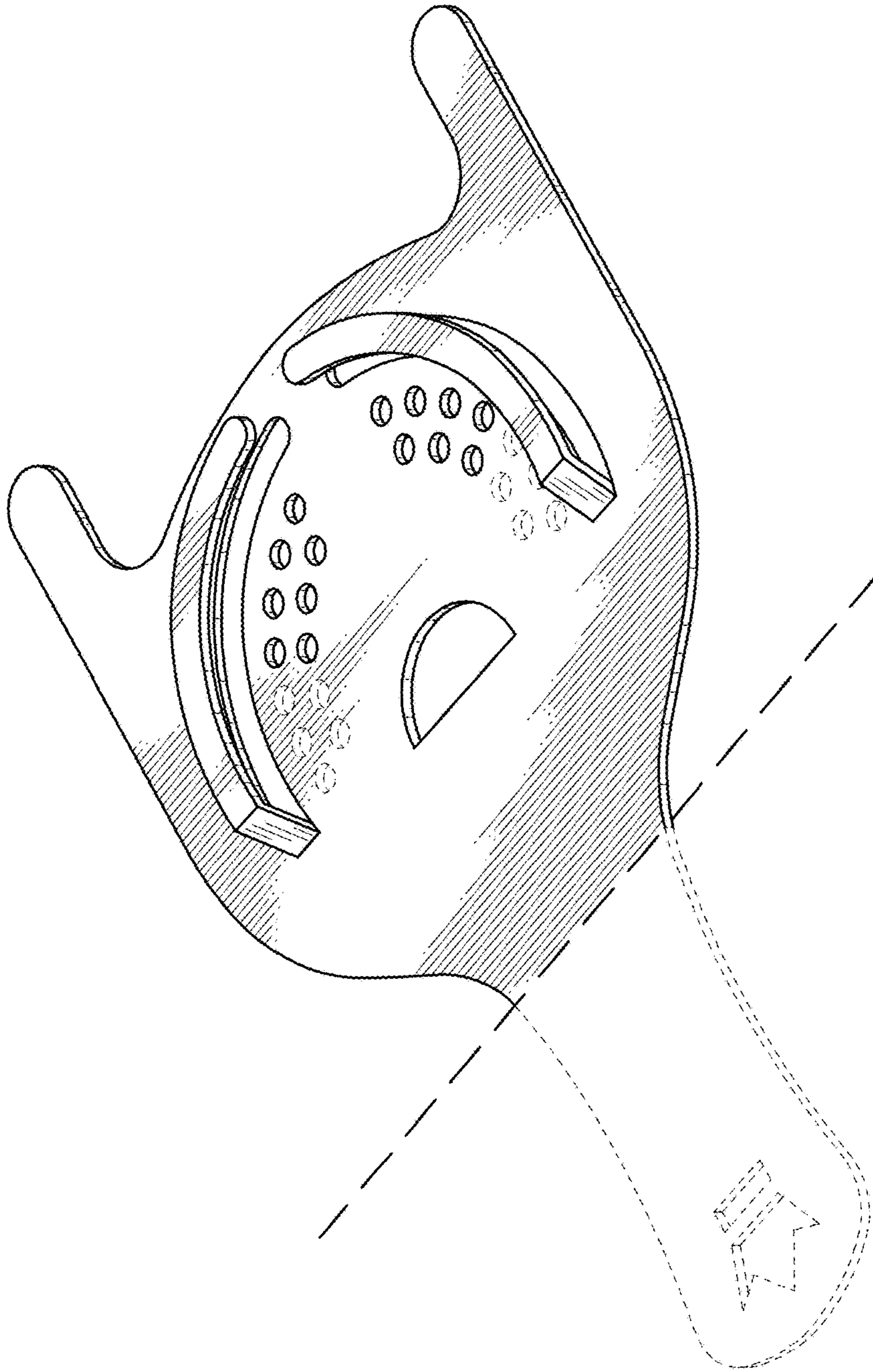


FIG. 10

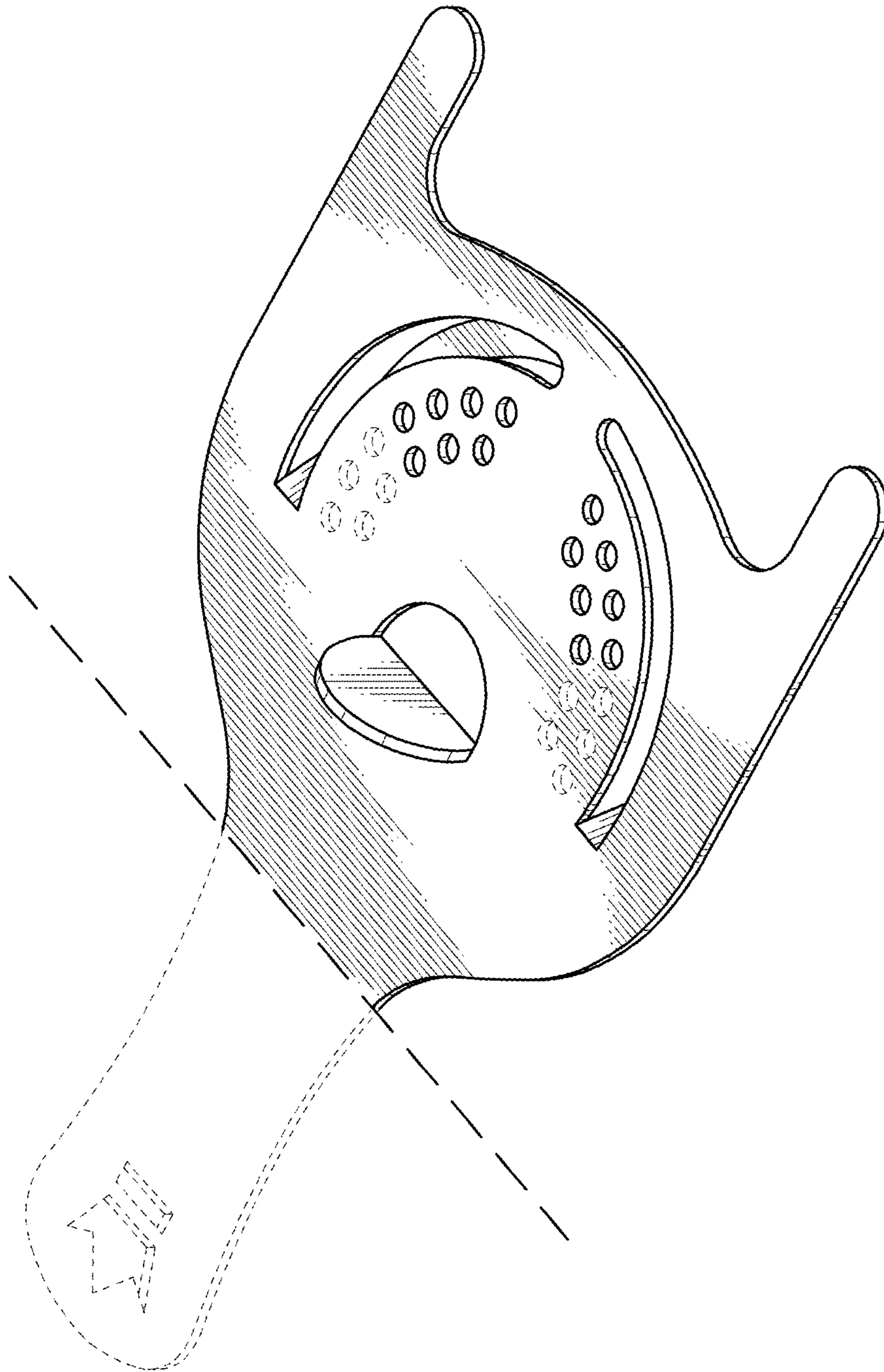


FIG. 11

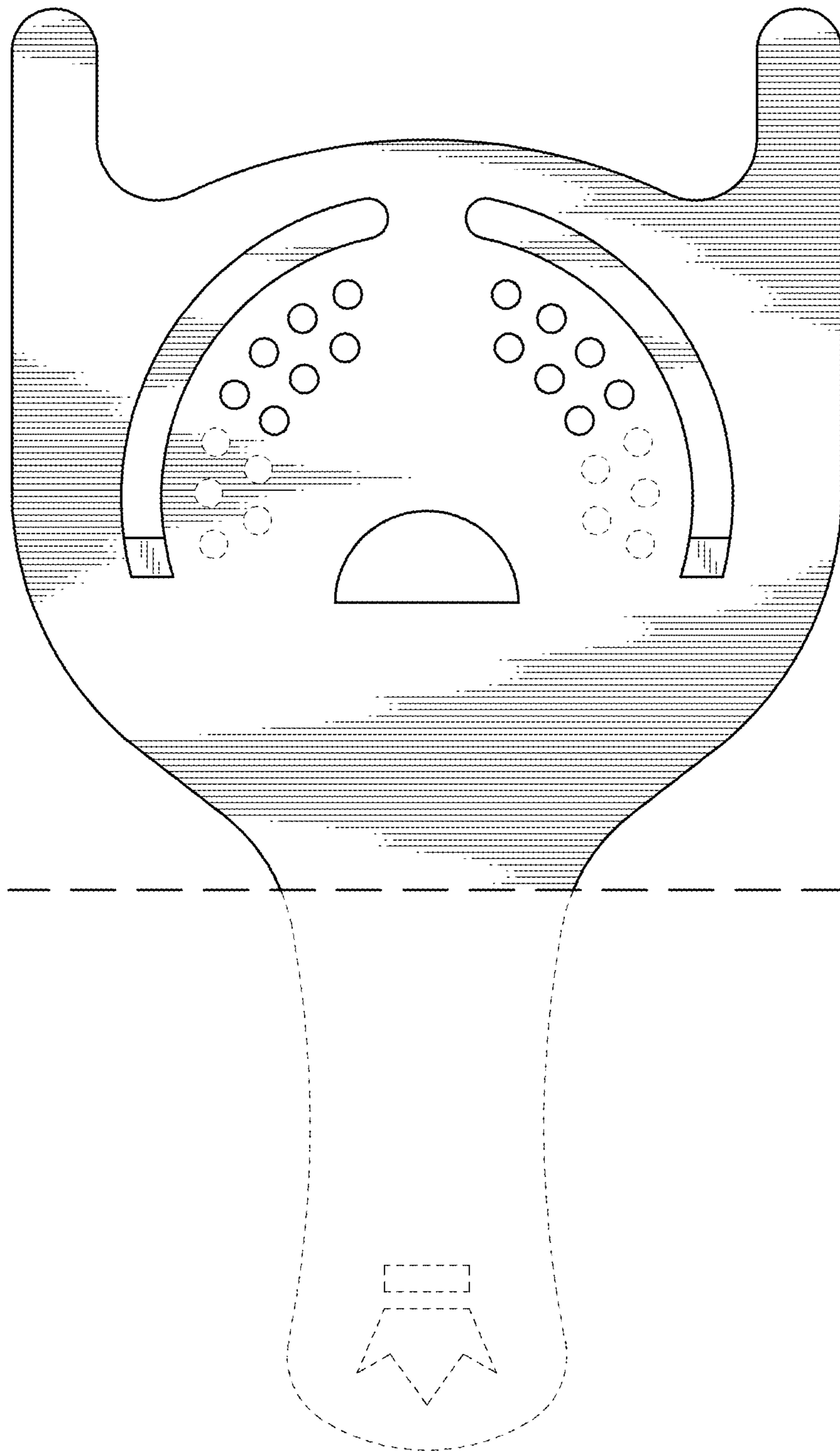


FIG. 12

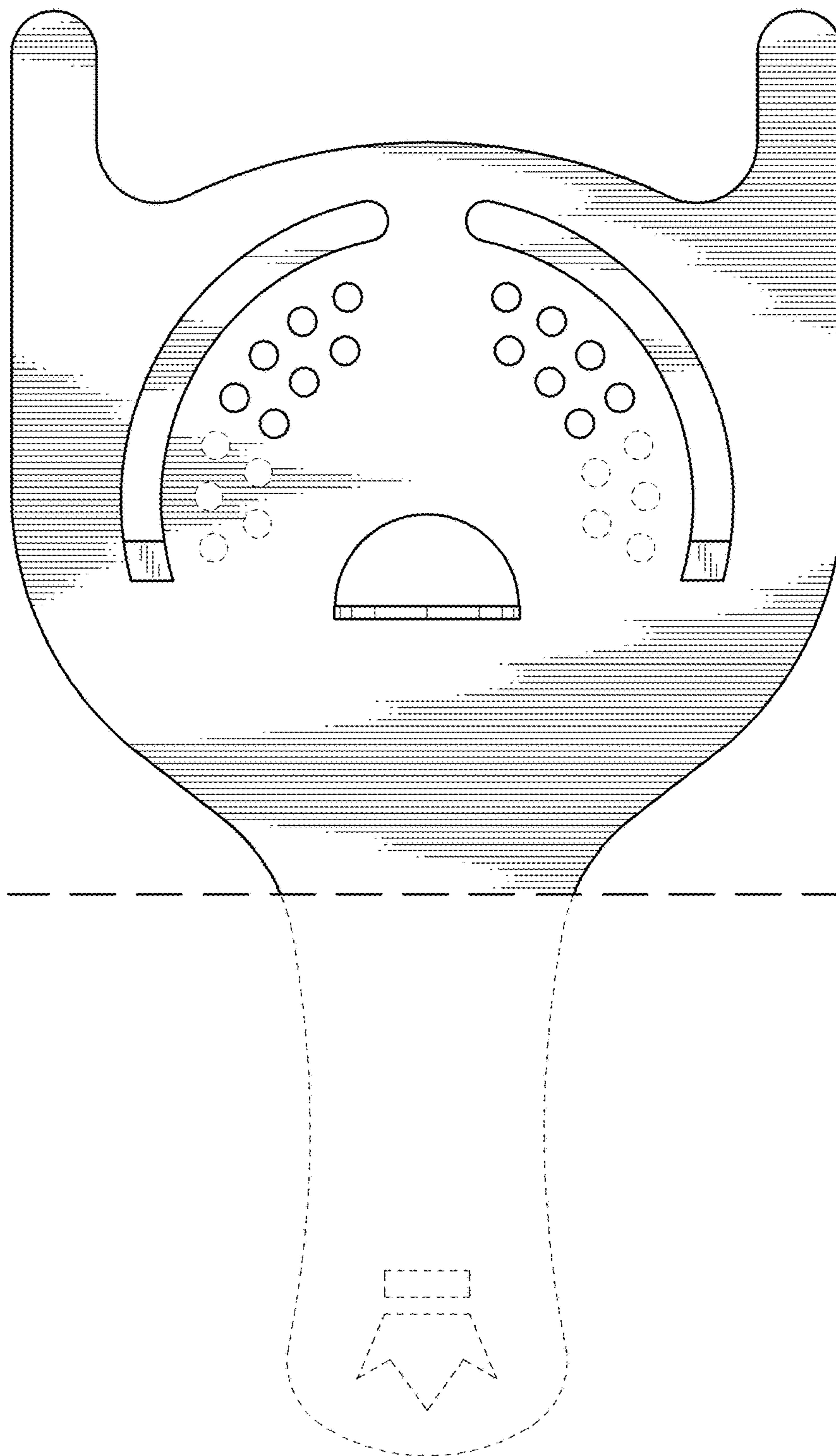


FIG. 13

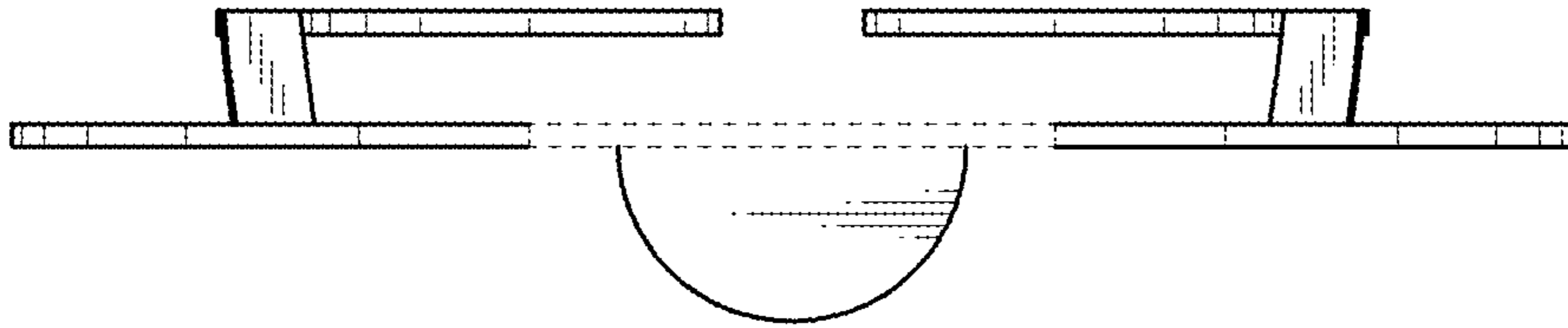


FIG. 14

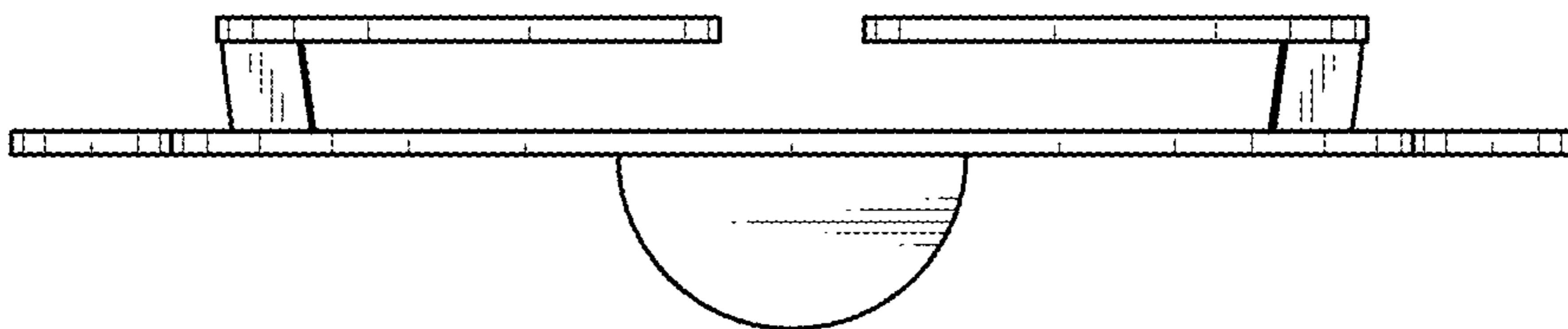


FIG. 15

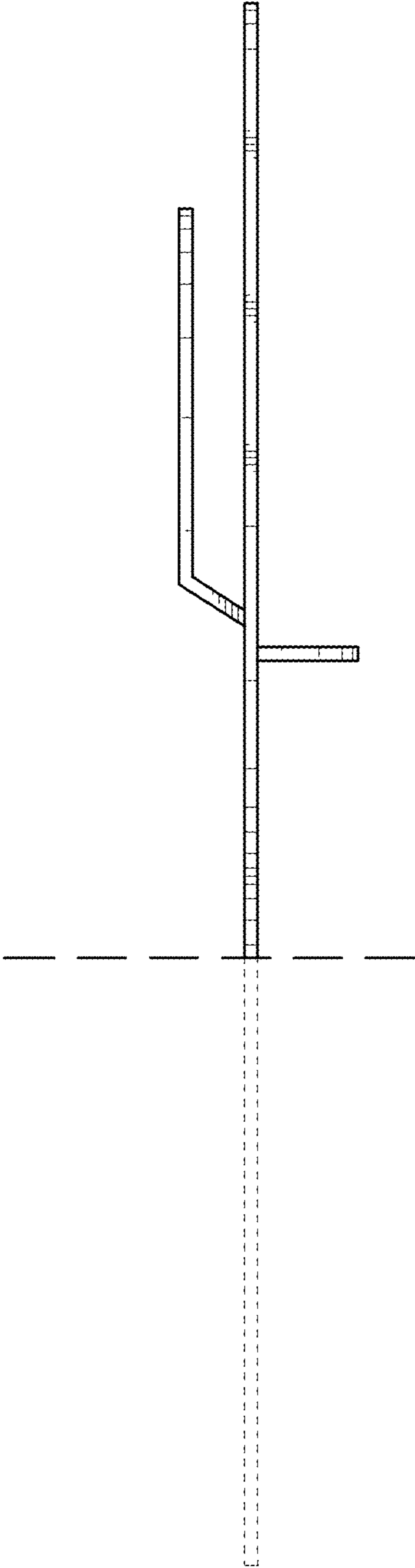


FIG. 16