



US00D842049S

(12) **United States Design Patent** (10) **Patent No.:** **US D842,049 S**
Hsiao et al. (45) **Date of Patent:** **** Mar. 5, 2019**

(54) **BOTTLE HOLDER**

(71) Applicant: **Wistron Corporation**, New Taipei (TW)

(72) Inventors: **Wen-Hsin Hsiao**, New Taipei (TW);
Hao-Chen Weng, New Taipei (TW);
Shiuan-De Chen, New Taipei (TW);
Wei-Kuo Lee, New Taipei (TW);
Chien Huang, New Taipei (TW);
Yen-Kai Chiu, New Taipei (TW)

(73) Assignee: **Wistron Corporation**, New Taipei (TW)

(**) Term: **15 Years**

(21) Appl. No.: **29/610,656**

(22) Filed: **Jul. 14, 2017**

(30) **Foreign Application Priority Data**

Jun. 23, 2017 (TW) 106303540
Jun. 23, 2017 (TW) 106303540D01

(51) **LOC (11) Cl.** **07-06**

(52) **U.S. Cl.**
USPC **D7/624.2; D7/607**

(58) **Field of Classification Search**
USPC D7/601, 605, 607, 608, 619.1, 624.2;
D6/531-534; D3/304-314; D9/772
CPC .. F25D 3/08; B65D 25/30; B65D 7/24; B65D
81/3876; B65D 81/3879; B65D 23/104;
B65D 81/38; B65D 81/3886; B65D
81/3883; B65D 81/3881; B65D 83/00;
B65D 25/04; A45C 11/20; A47G
23/0216; A47G 23/0225; A47G 19/2288;
A47G 23/0241; A47G 2023/0291; A47G
23/02; A47G 19/06; A47G 19/22; A45F
2200/0583; A61F 7/10; B31D 5/0086;
A47C 7/62; B62B 9/26; B65F 1/06

See application file for complete search history.

(56) **References Cited**

U.S. PATENT DOCUMENTS

5,022,235 A * 6/1991 Grissom B65D 81/3886
62/372
6,059,138 A * 5/2000 Labruyere A47G 23/0225
220/23.4
D541,596 S * 5/2007 Hicks D7/607
D543,790 S * 6/2007 Szymanski D7/607
7,909,200 B1 * 3/2011 Horne B65F 1/06
220/495.08
8,672,176 B2 * 3/2014 Sayasithsena A47G 23/0216
220/4.01
D789,157 S * 6/2017 Esposito D7/619.1

OTHER PUBLICATIONS

H2OPal, H2OPal Smart Bottle Hydration Tracker, <https://www.amazon.com/H2OPal-Smart-Bottle-Hydration-Tracker/dp/B018YEAQCA?th=1>, 2015.

* cited by examiner

Primary Examiner — Terry A Wallace

(74) *Attorney, Agent, or Firm* — Winston Hsu

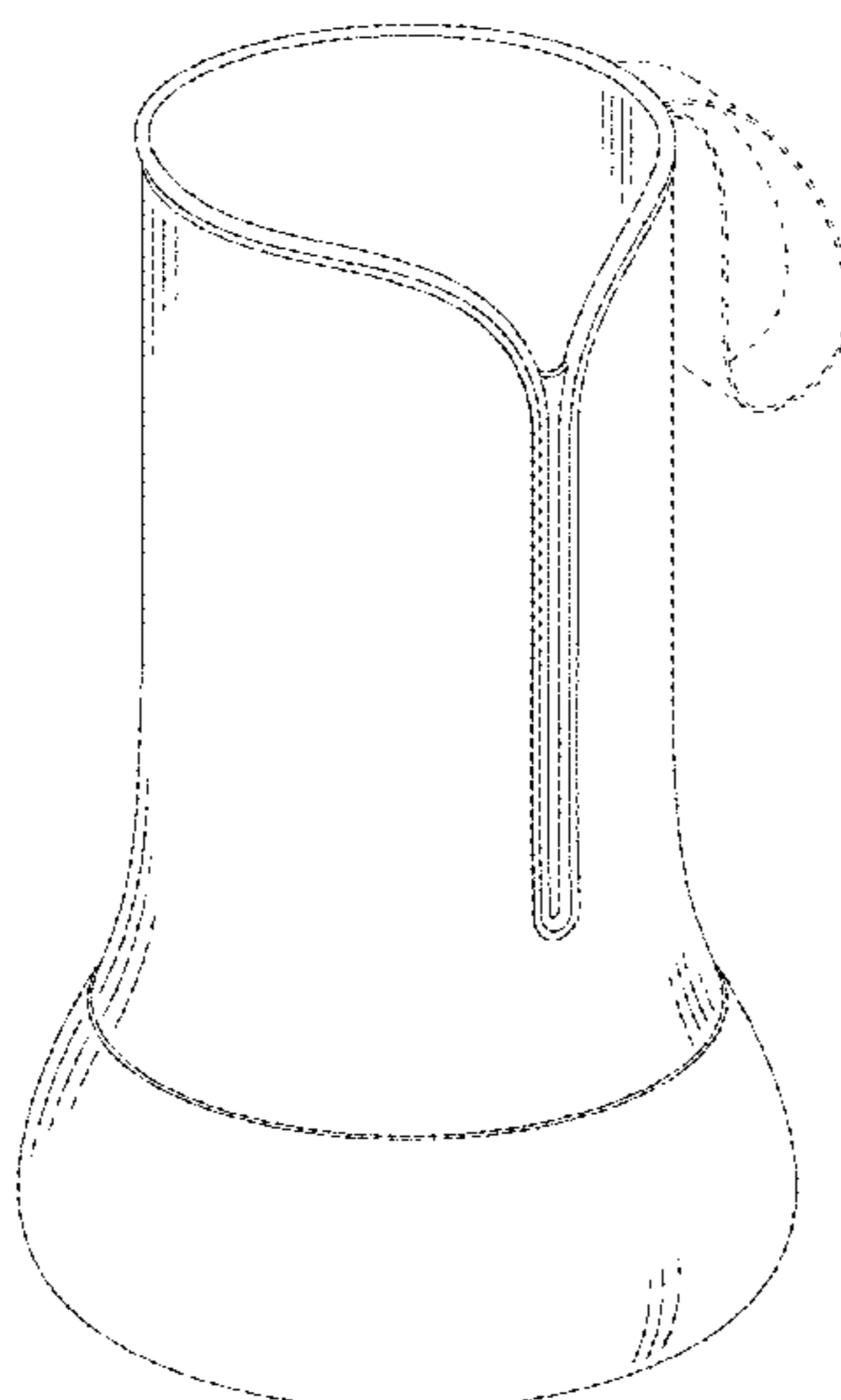
(57) **CLAIM**

The ornamental design for a bottle holder, as shown and described.

DESCRIPTION

FIG. 1 is a perspective view of a bottle holder showing our new design;
FIG. 2 is a front view thereof;
FIG. 3 is a rear view thereof;
FIG. 4 is a left side view thereof;
FIG. 5 is a right side view thereof;
FIG. 6 is a top view thereof; and,
FIG. 7 is a bottom view thereof.
The broken lines depict portions of the bottle holder that form no part of the claimed design.

1 Claim, 7 Drawing Sheets



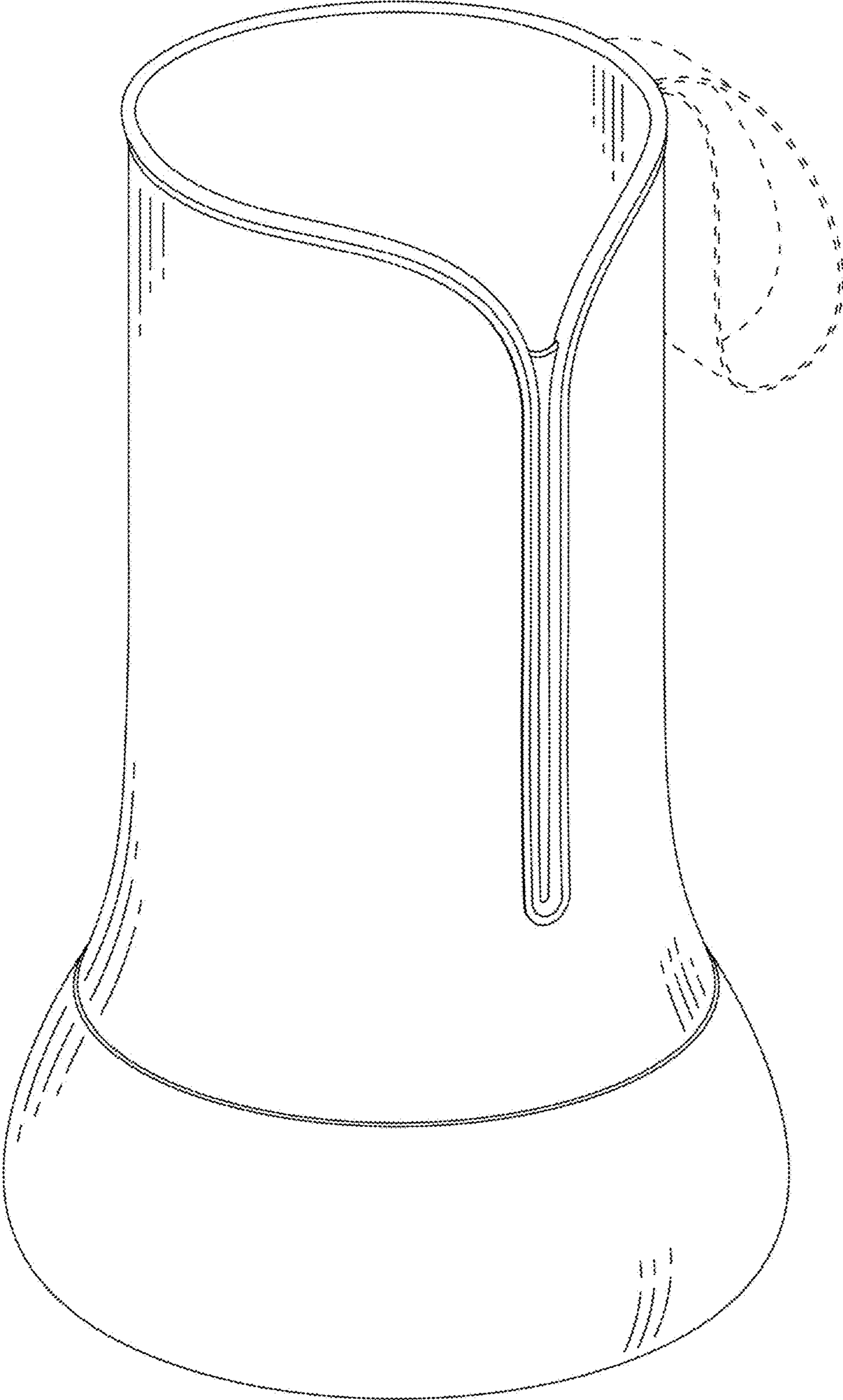


FIG. 1

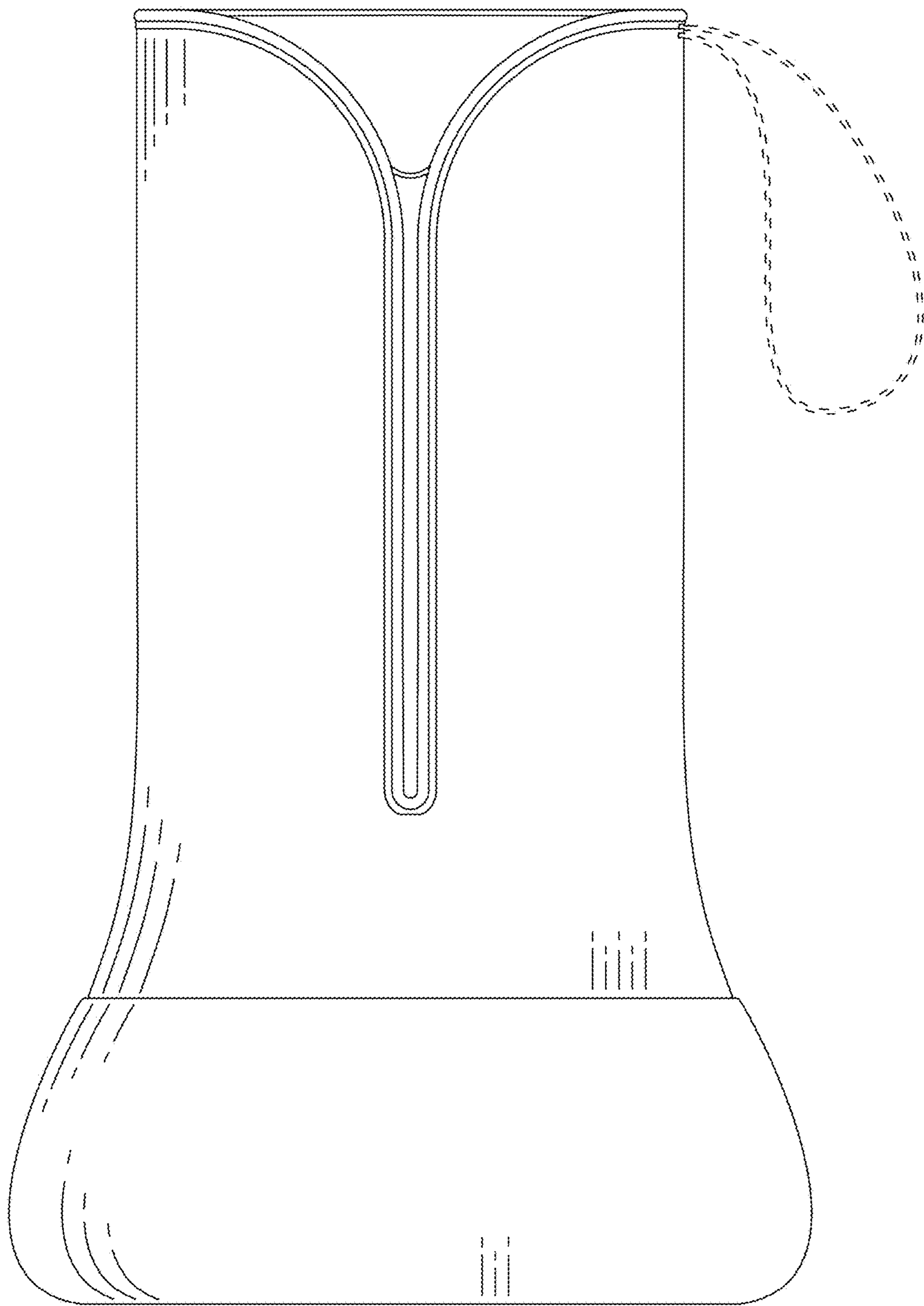


FIG. 2

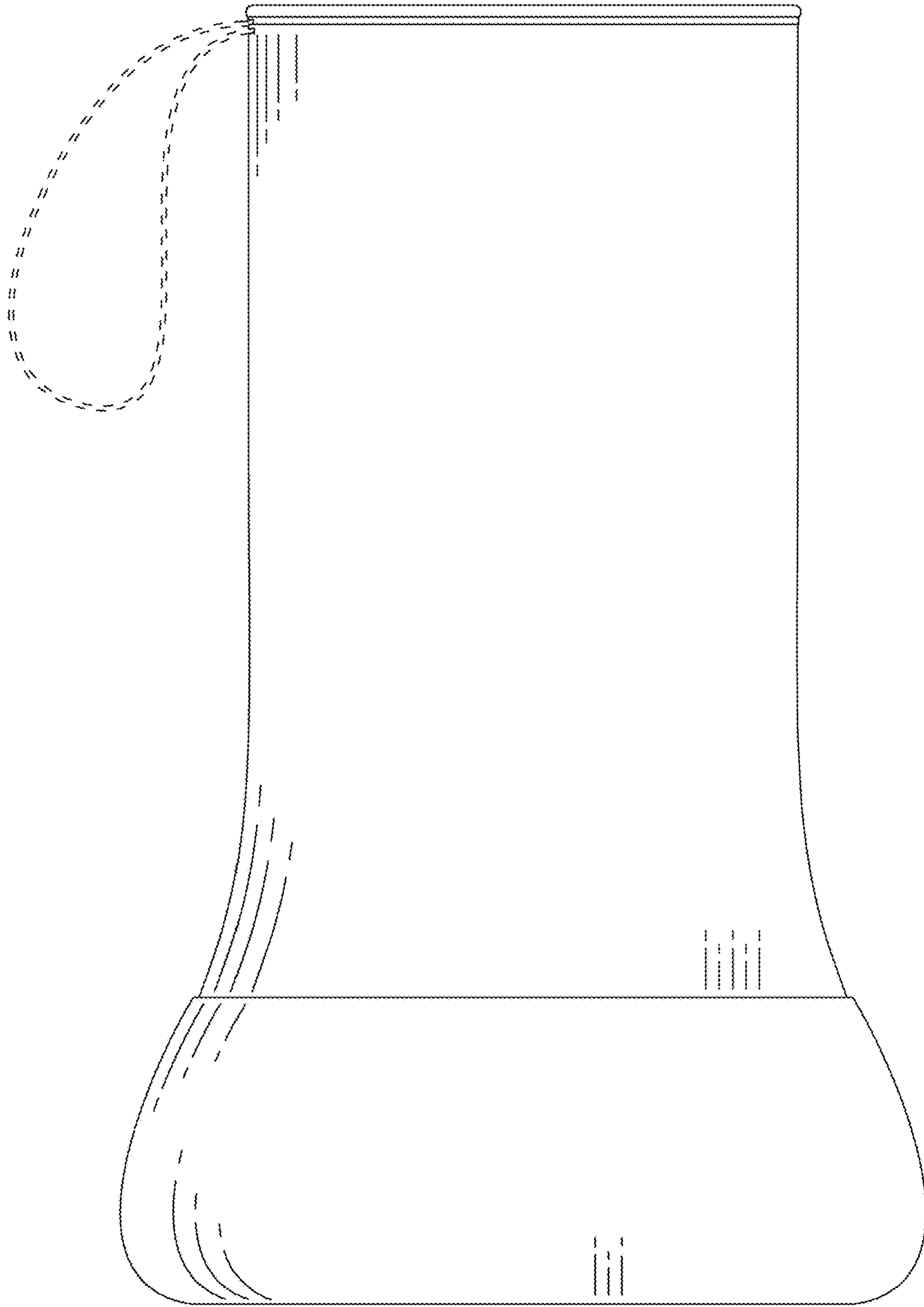


FIG. 3

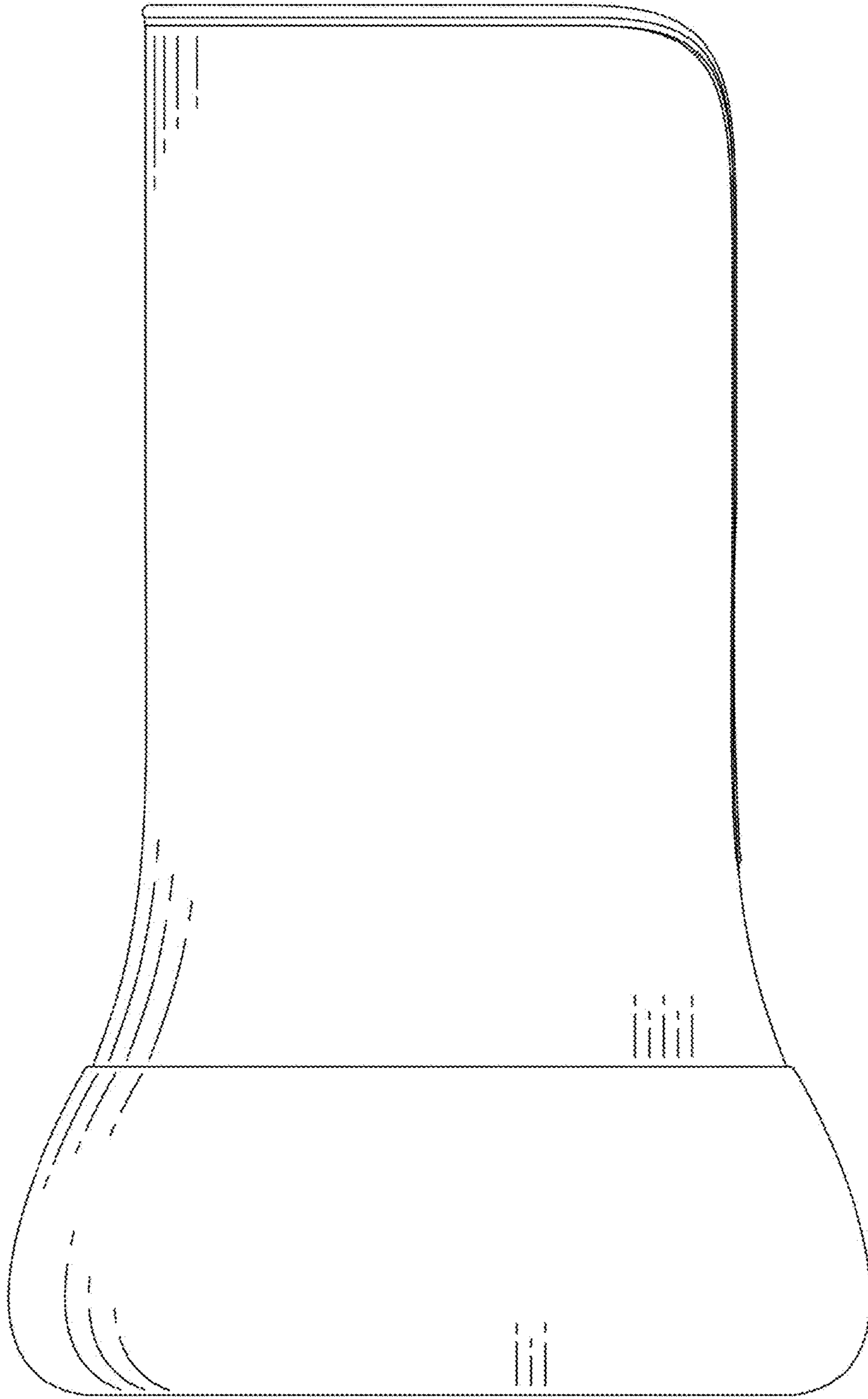


FIG. 4

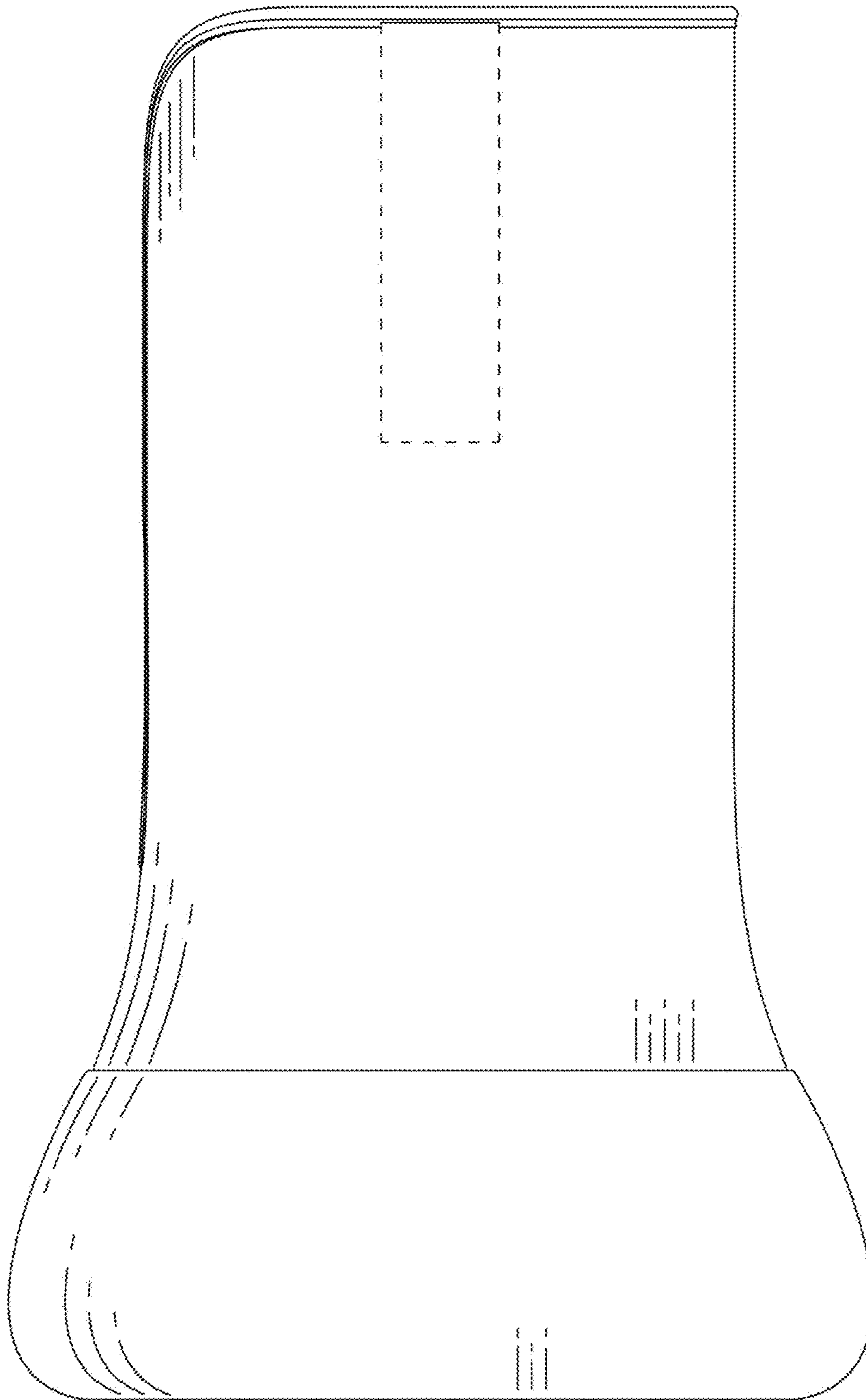


FIG. 5

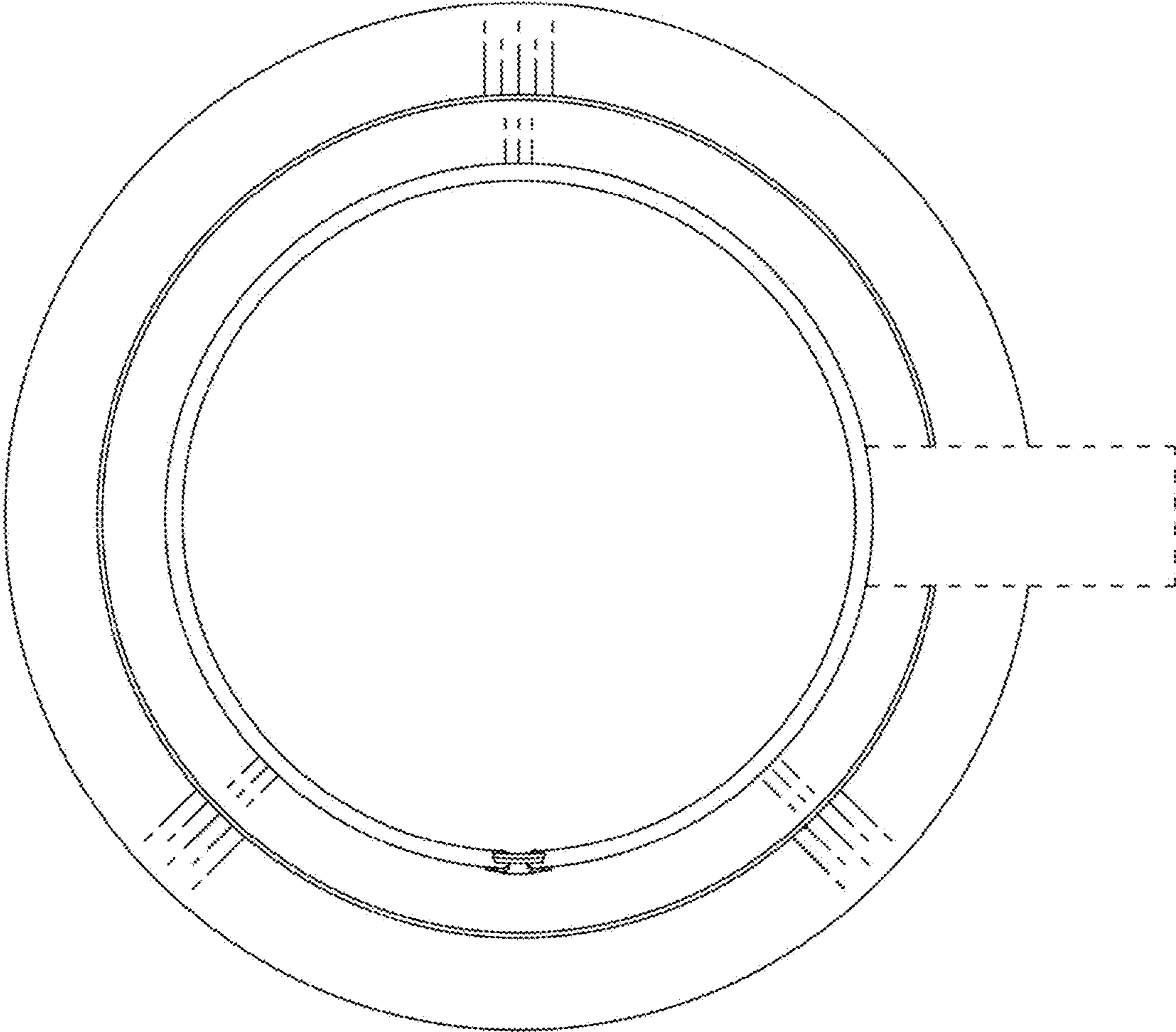


FIG. 6

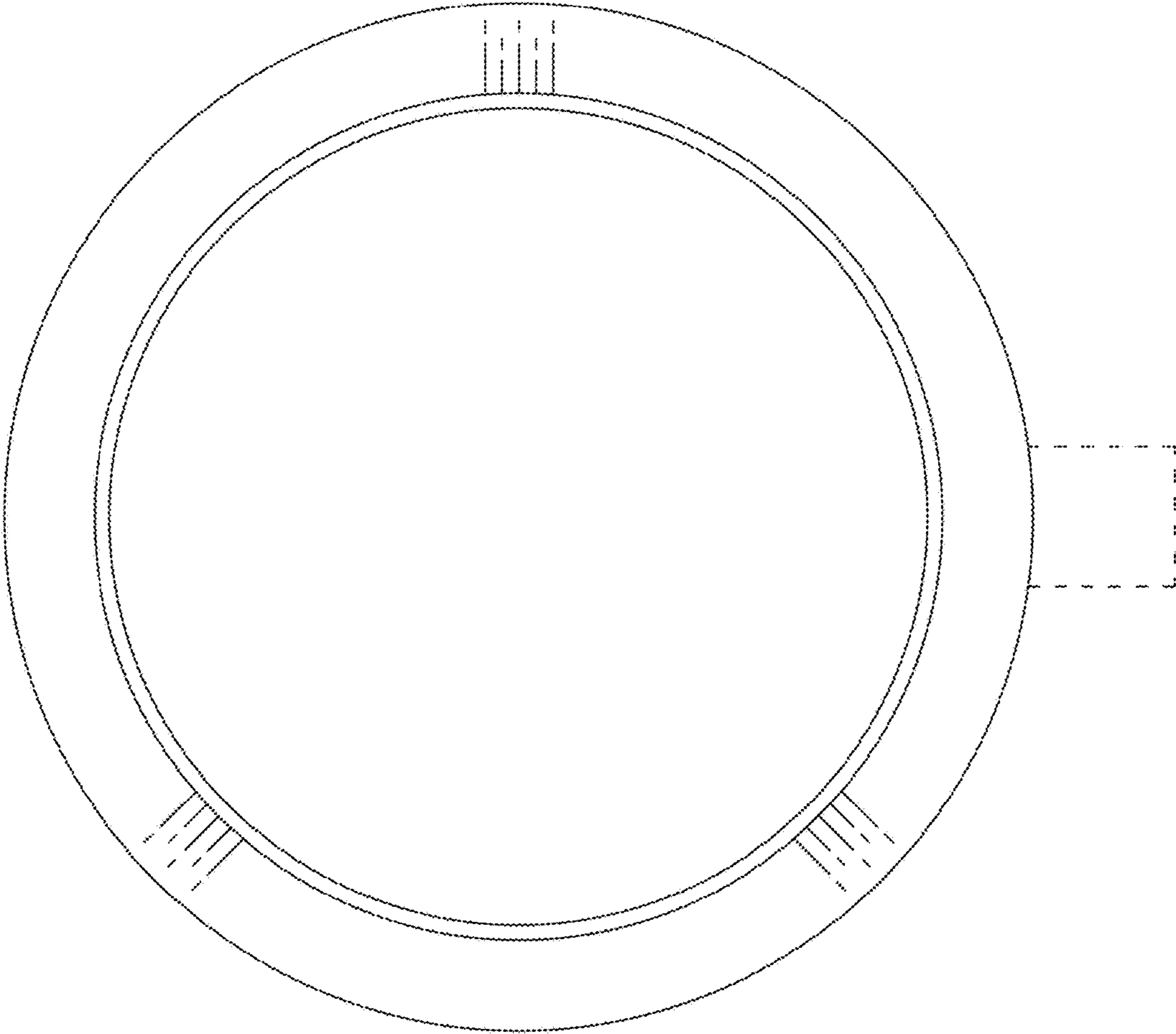


FIG. 7