



US00D842045S

(12) **United States Design Patent**  
**Brown**

(10) **Patent No.:** **US D842,045 S**

(45) **Date of Patent:** **\*\* Mar. 5, 2019**

(54) **MIXING BOWL WITH A MULTI-PURPOSE BASE**

(71) Applicant: **Shannon Brown**, Pahrump, NV (US)

(72) Inventor: **Shannon Brown**, Pahrump, NV (US)

(\*\*) Term: **15 Years**

(21) Appl. No.: **29/613,292**

(22) Filed: **Aug. 9, 2017**

(51) **LOC (11) Cl.** ..... **07-01**

(52) **U.S. Cl.**  
USPC ..... **D7/586**

(58) **Field of Classification Search**  
USPC ..... D7/586, 552.2, 376; 220/574  
See application file for complete search history.

(56) **References Cited**

U.S. PATENT DOCUMENTS

|               |         |           |       |                         |
|---------------|---------|-----------|-------|-------------------------|
| D101,207 S *  | 9/1936  | Boyce     | ..... | D7/315                  |
| D113,511 S *  | 2/1939  | Heller    | ..... | D7/565                  |
| D192,375 S *  | 3/1962  | Laughlin  | ..... | D7/504                  |
| 3,198,377 A * | 8/1965  | Buckley   | ..... | A47J 43/27<br>220/771   |
| D252,846 S *  | 9/1979  | Miller    | ..... | D7/315                  |
| 4,746,057 A * | 5/1988  | Wagner    | ..... | A47G 19/065<br>220/574  |
| 4,967,918 A * | 11/1990 | Long      | ..... | A47G 19/2205<br>215/385 |
| D359,883 S *  | 7/1995  | Suarez    | ..... | D24/121                 |
| 5,813,638 A * | 9/1998  | Morris    | ..... | A47G 19/08<br>220/574   |
| D497,781 S *  | 11/2004 | Joseph    | ..... | D7/586                  |
| D539,094 S *  | 3/2007  | Wasserman | ..... | D7/584                  |
| D565,356 S *  | 4/2008  | Mellen    | ..... | D7/376                  |
| D571,614 S *  | 6/2008  | Curtin    | ..... | D7/545                  |
| D575,992 S *  | 9/2008  | LeGreve   | ..... | D7/586                  |
| D579,258 S *  | 10/2008 | Kaposi    | ..... | D7/315                  |
| D613,126 S *  | 4/2010  | Warner    | ..... | D7/584                  |

|                |         |            |       |                        |
|----------------|---------|------------|-------|------------------------|
| D613,552 S *   | 4/2010  | Woog       | ..... | A47G 21/10<br>D7/397   |
| D625,954 S *   | 10/2010 | Mouquet    | ..... | D7/507                 |
| 8,382,647 B1 * | 2/2013  | Hodes      | ..... | A63B 21/072<br>482/108 |
| 9,102,194 B2 * | 8/2015  | Duckett    | ..... | B44D 3/14              |
| D748,436 S *   | 2/2016  | Kent       | ..... | D7/545                 |
| D787,274 S *   | 5/2017  | Gagnon     | ..... | D7/586                 |
| 9,681,765 B2 * | 6/2017  | Cignarella | ..... | A63H 33/26             |
| D804,758 S *   | 12/2017 | Luburic    | ..... | D32/53                 |
| D805,140 S *   | 12/2017 | Hodes      | ..... | D21/681                |

\* cited by examiner

*Primary Examiner* — Cynthia R Underwood

(74) *Attorney, Agent, or Firm* — Gurr Brande & Spendlove, PLLC; Robert A. Gurr

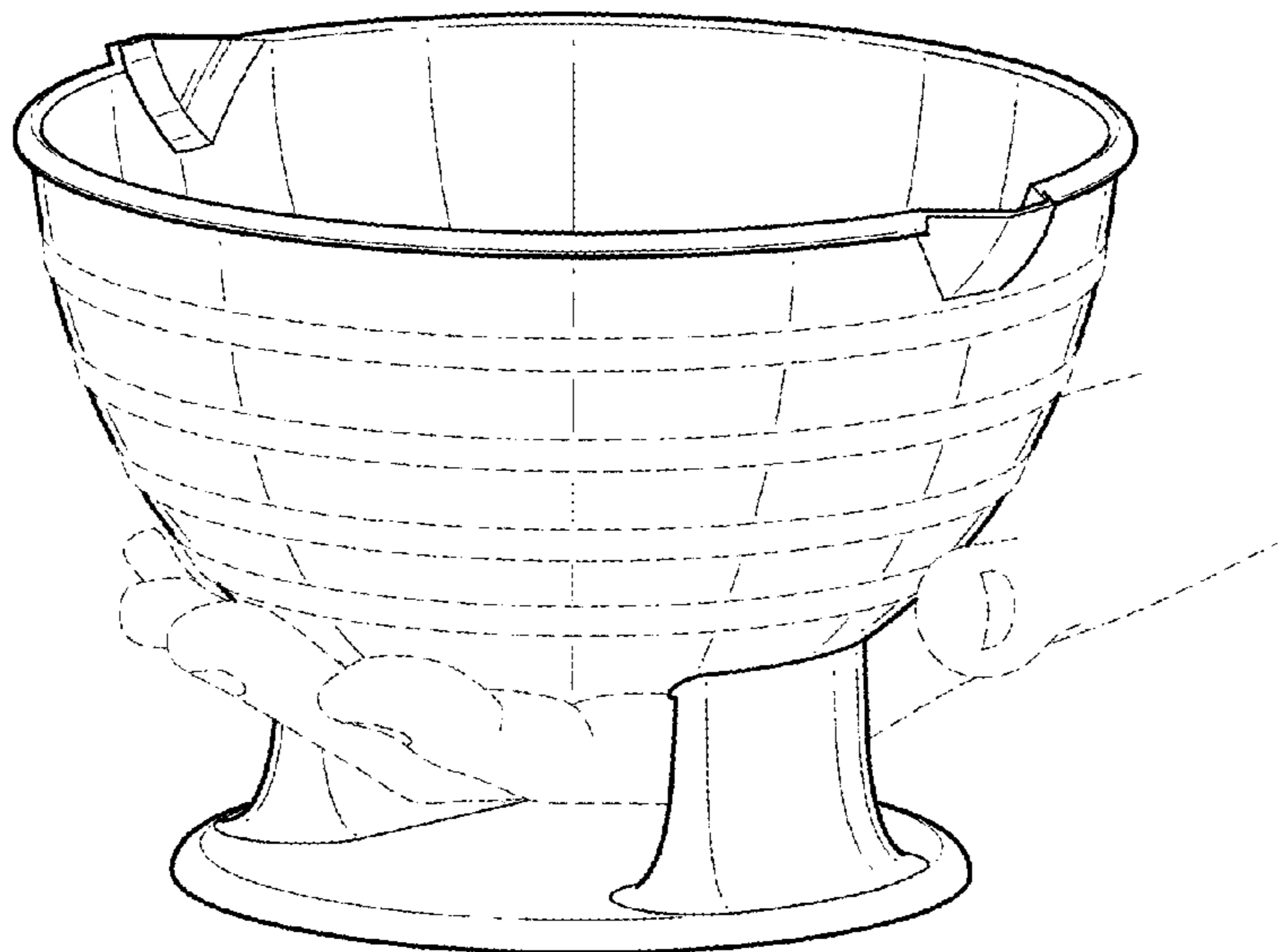
(57) **CLAIM**

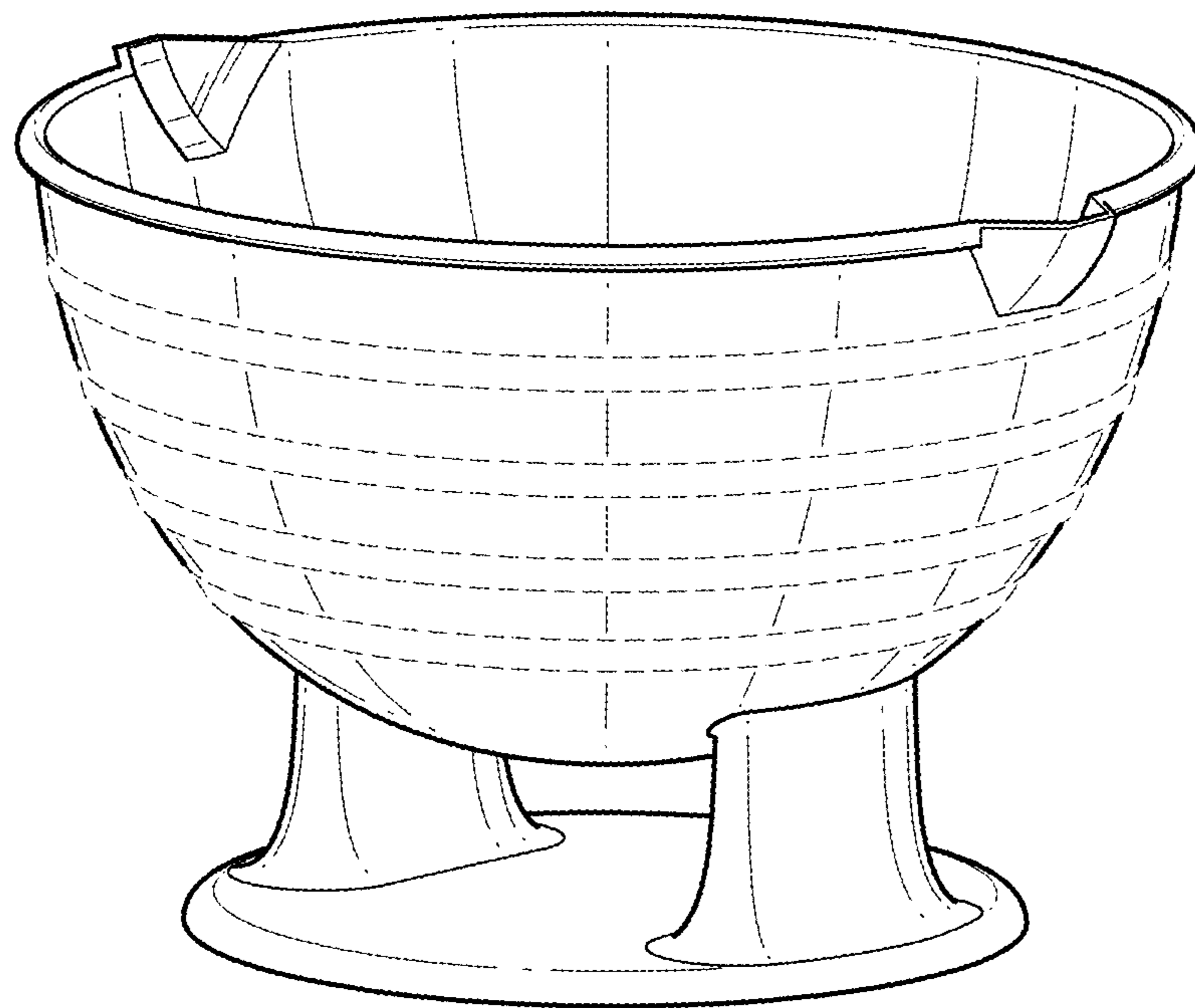
The ornamental design for a mixing bowl with a multi-purpose base, as shown and described.

**DESCRIPTION**

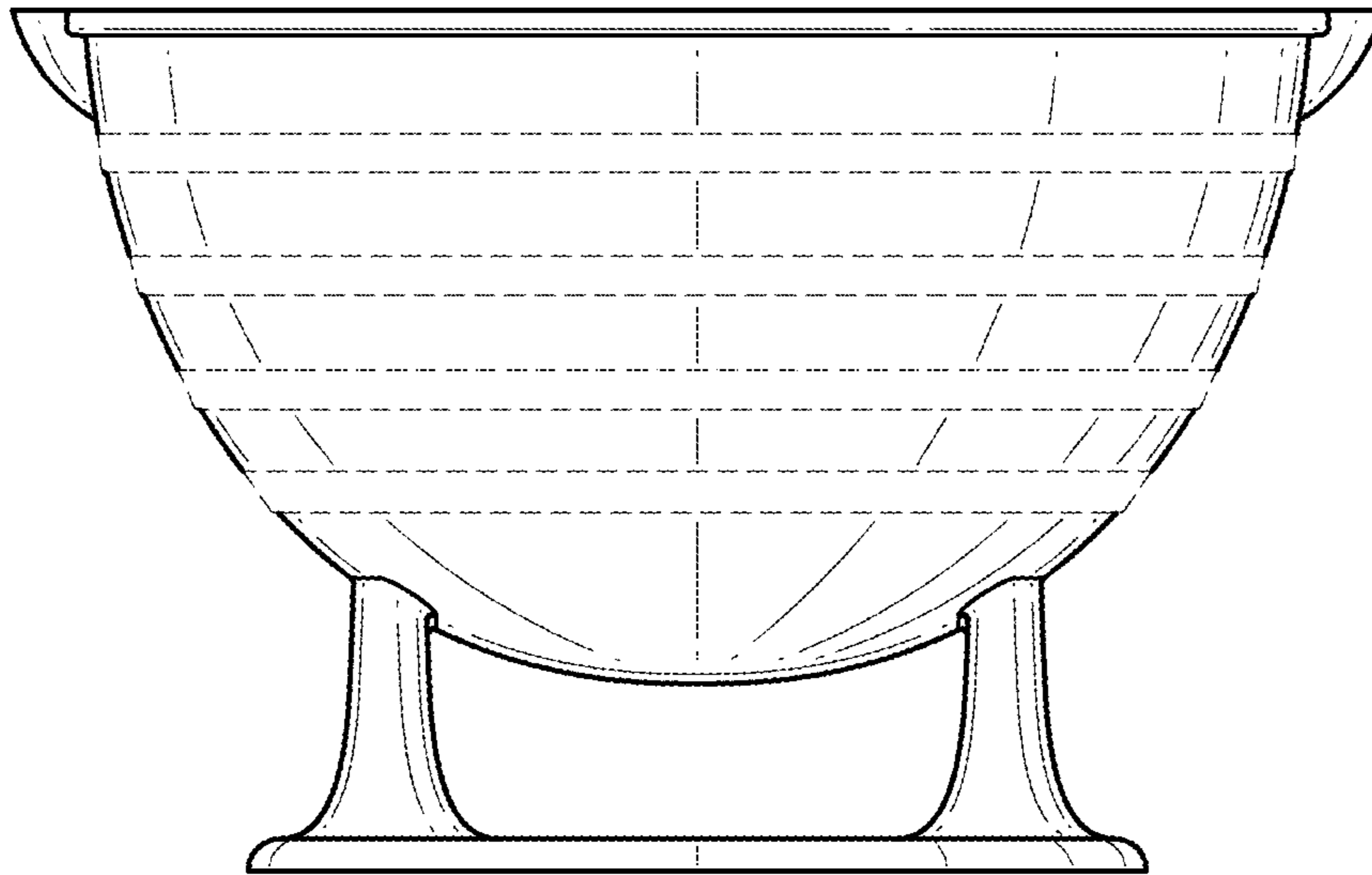
FIG. 1 is a perspective view of the mixing bowl with a multi-purpose base;  
 FIG. 2 is a front elevation view of the mixing bowl with a multi-purpose base;  
 FIG. 3 is a side elevation view of the mixing bowl with a multi-purpose base;  
 FIG. 4 is a top plan view of the mixing bowl with a multi-purpose base;  
 FIG. 5 is a bottom plan view of the mixing bowl with a multi-purpose base; and,  
 FIG. 6 is a perspective view of the mixing bowl with a multi-purpose base shown in one example use.  
 The broken lines shown in the drawings are for the purpose of illustrating environmental matter and portions of the article that form no part of the claimed design.

**1 Claim, 4 Drawing Sheets**

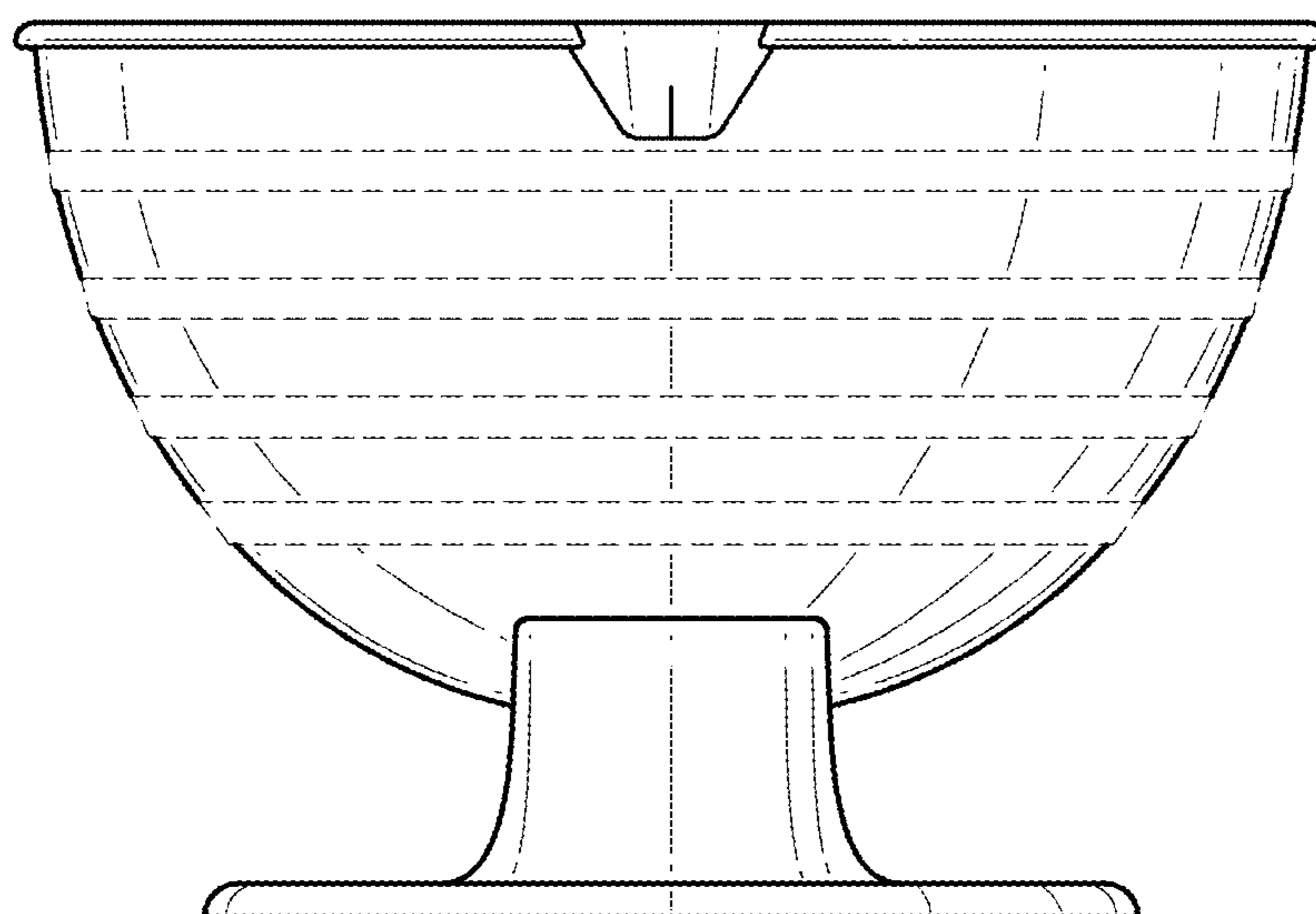




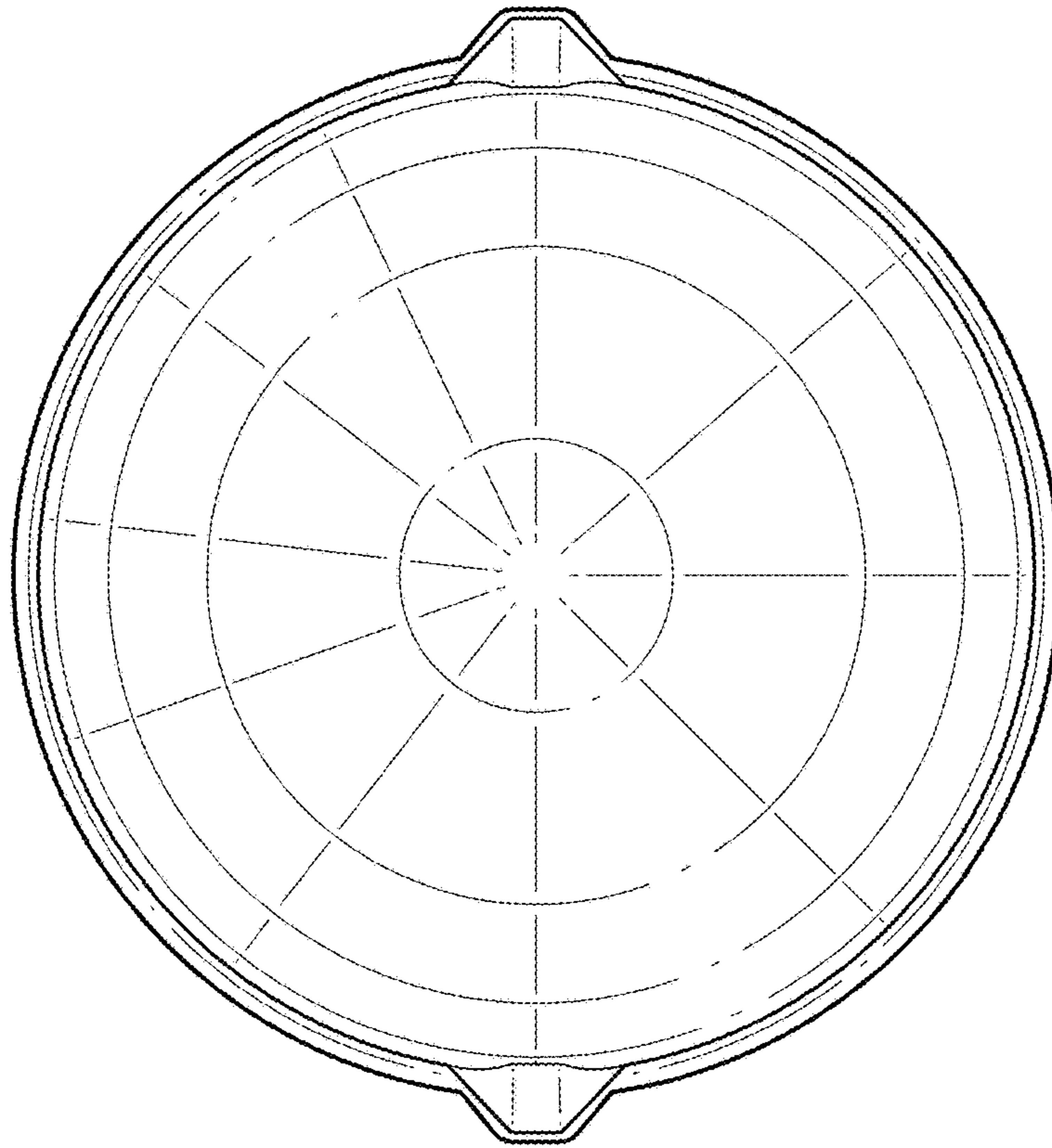
**FIG. 1**



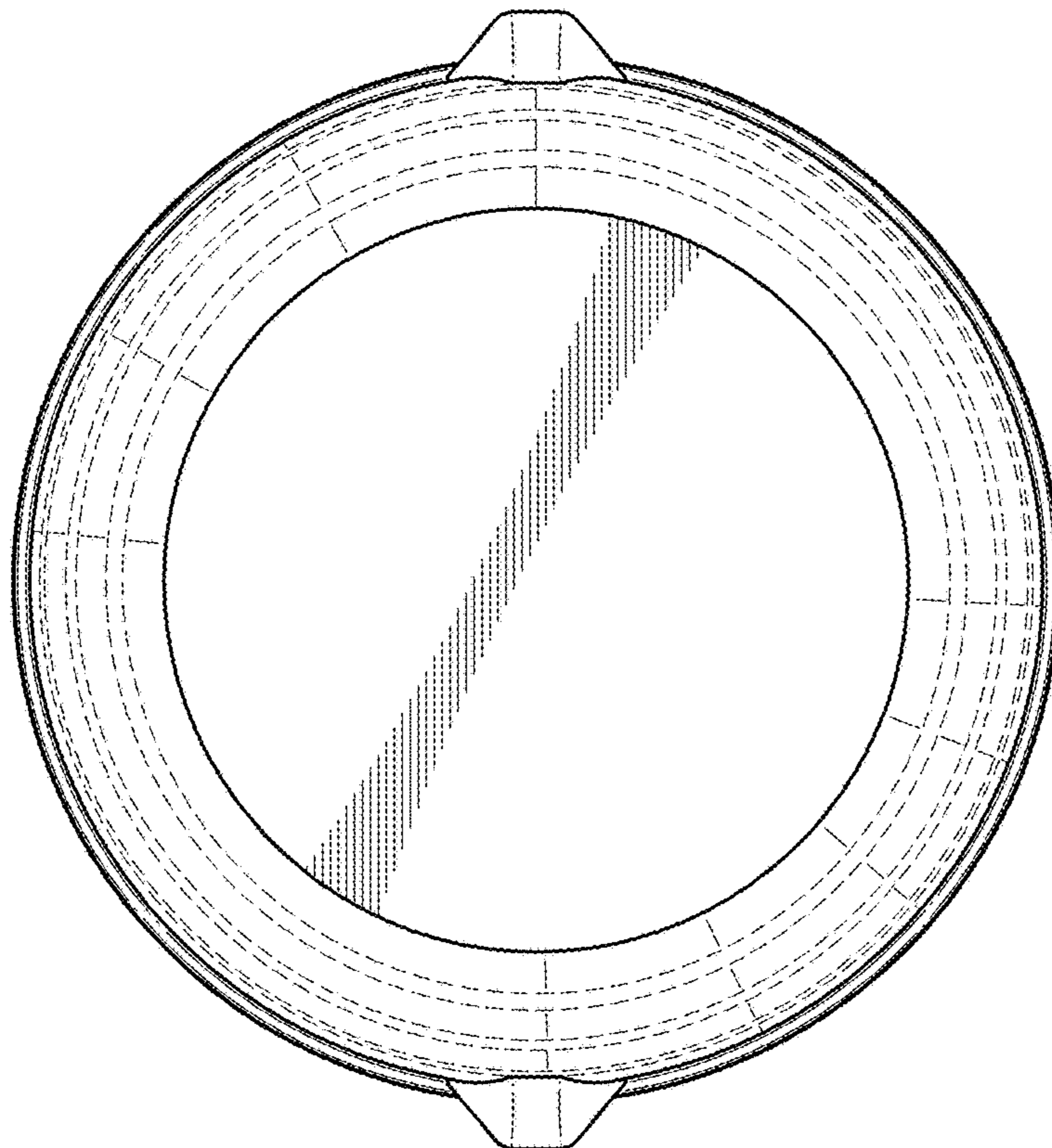
**FIG. 2**



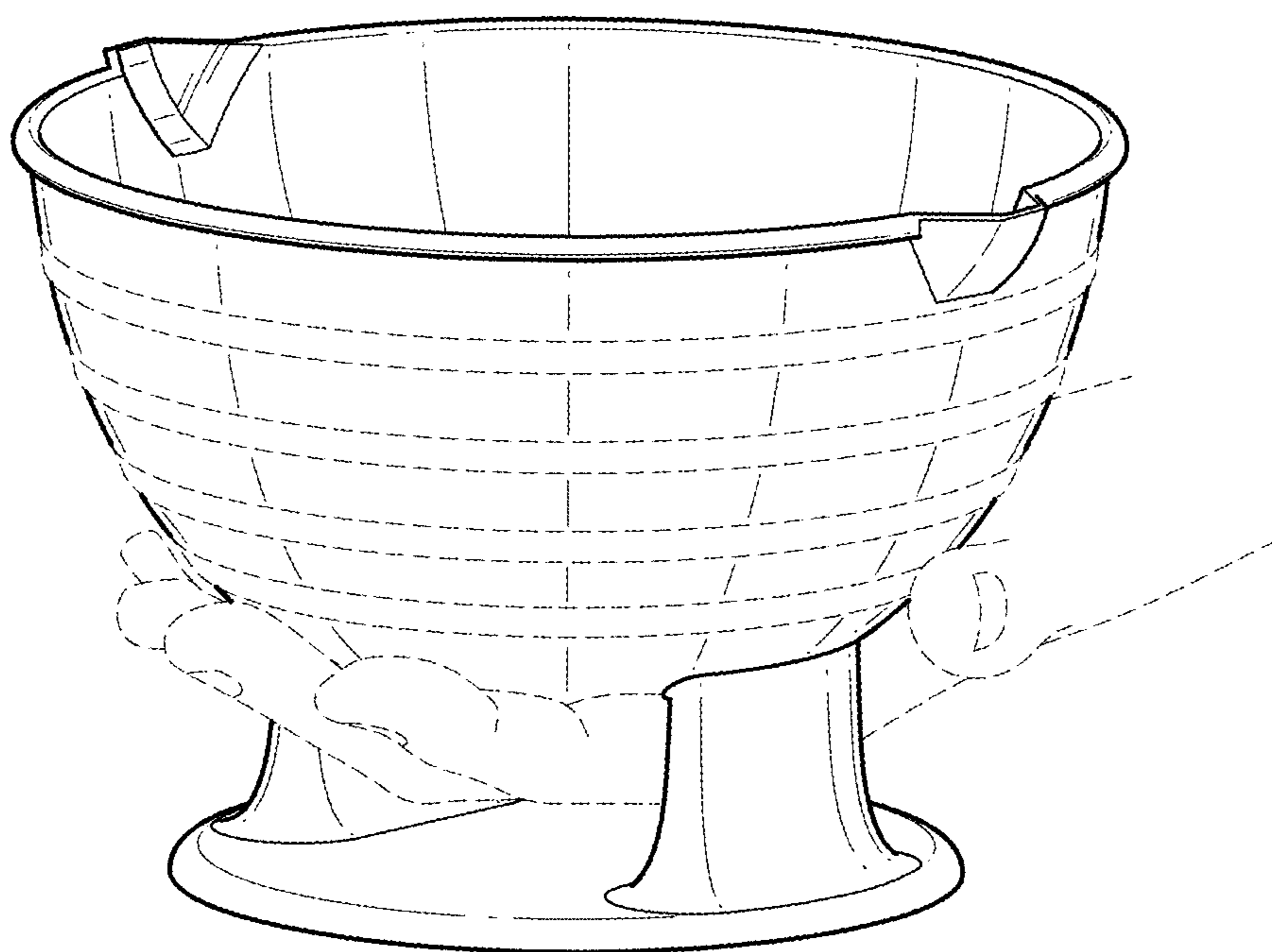
**FIG. 3**



**FIG. 4**



**FIG. 5**



**FIG. 6**