



US00D842043S

(12) **United States Design Patent**
Wall

(10) **Patent No.:** **US D842,043 S**

(45) **Date of Patent:** **** Mar. 5, 2019**

(54) **BEER MUG**

(71) Applicant: **Marty Guy Wall**, Greenbrier, TN (US)

(72) Inventor: **Marty Guy Wall**, Greenbrier, TN (US)

(**) Term: **15 Years**

(21) Appl. No.: **29/584,129**

(22) Filed: **Nov. 11, 2016**

(51) **LOC (11) Cl.** **07-01**

(52) **U.S. Cl.**

USPC **D7/536**; D7/533; D7/509

(58) **Field of Classification Search**

USPC D7/507, 509, 510, 511, 523, 532, 533,
D7/536, 524, 537, 513, 602, 620, 608;
220/592.16, 592.17; D11/143, 144

CPC A47G 19/2205; A47G 19/2227; A47G
19/22; A47G 19/2266

See application file for complete search history.

(56) **References Cited**

U.S. PATENT DOCUMENTS

D275,253 S *	8/1984	Durand	D7/530
D285,637 S *	9/1986	Zieff	D7/536
D298,901 S *	12/1988	Shadyac	D7/536
D307,089 S *	4/1990	Lage	D7/536
5,249,703 A *	10/1993	Karp	A47G 19/2272 220/293
D373,290 S *	9/1996	Ballin	81/3.09
5,573,141 A *	11/1996	Chen	A47G 19/2288 220/592.17
5,636,522 A *	6/1997	Ramos	A47G 19/2227 62/294
D388,281 S *	12/1997	Trombley	D7/515
D397,912 S *	9/1998	Goessling, Jr.	D7/532
5,919,071 A *	7/1999	McConnell	A47G 19/2227 220/756

5,964,102 A * 10/1999 Tsai A47G 19/2288
252/73

6,050,443 A * 4/2000 Tung A47G 19/2227
215/12.1

D427,017 S * 6/2000 Reimer D7/514

D454,033 S * 3/2002 Miller D7/514

D462,577 S * 9/2002 Miller D7/514

D531,452 S * 11/2006 Toth D7/523

D571,154 S * 6/2008 Pearson D7/510

D588,497 S * 3/2009 Claffey D11/157

D642,020 S * 7/2011 Fu D7/533

D717,115 S * 11/2014 Lane D7/511

D721,924 S * 2/2015 Trafton D7/507

D749,262 S * 2/2016 Schoenfeld A47G 19/2205
D27/163

D761,625 S * 7/2016 Engler D7/394

2011/0114648 A1 * 5/2011 Proskey B65D 81/3874
220/592.17

2011/0233219 A1 * 9/2011 Proskey A47J 41/00
220/592.17

* cited by examiner

Primary Examiner — Marianne N Pandozzi

Assistant Examiner — Jae Liang

(74) *Attorney, Agent, or Firm* — Dunlap Bennett &

Ludwig PLLC; Brendan E. Squire

(57) **CLAIM**

The ornamental design for a beer mug, as shown and described.

DESCRIPTION

FIG. 1 is a front perspective view of a beer mug showing the new design;

FIG. 2 is a front elevation view thereof;

FIG. 3 is a top plan view thereof;

FIG. 4 is a bottom plan view thereof; and,

FIG. 5 is a side sectional view thereof taken along line 5-5 of FIG. 3.

1 Claim, 4 Drawing Sheets

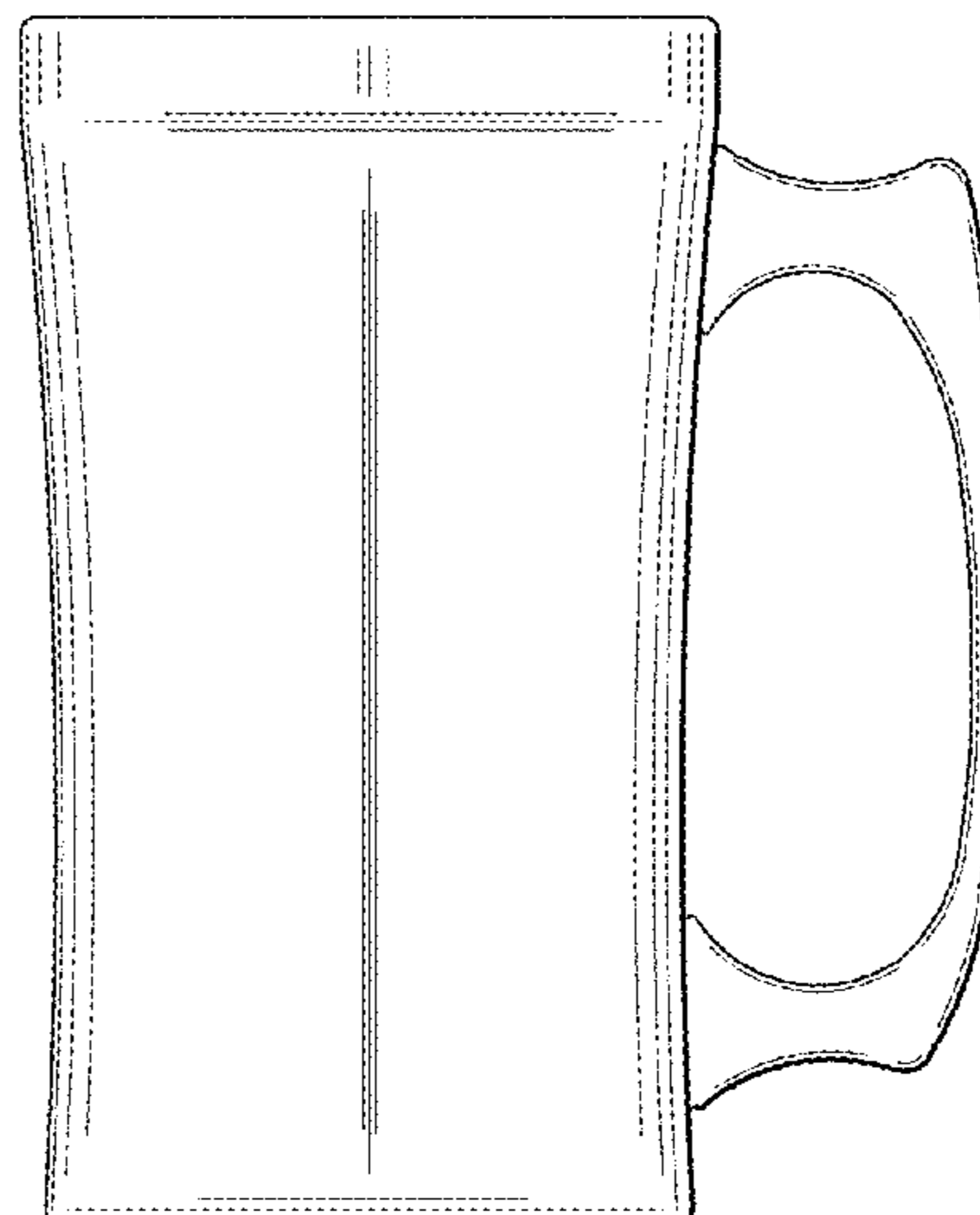
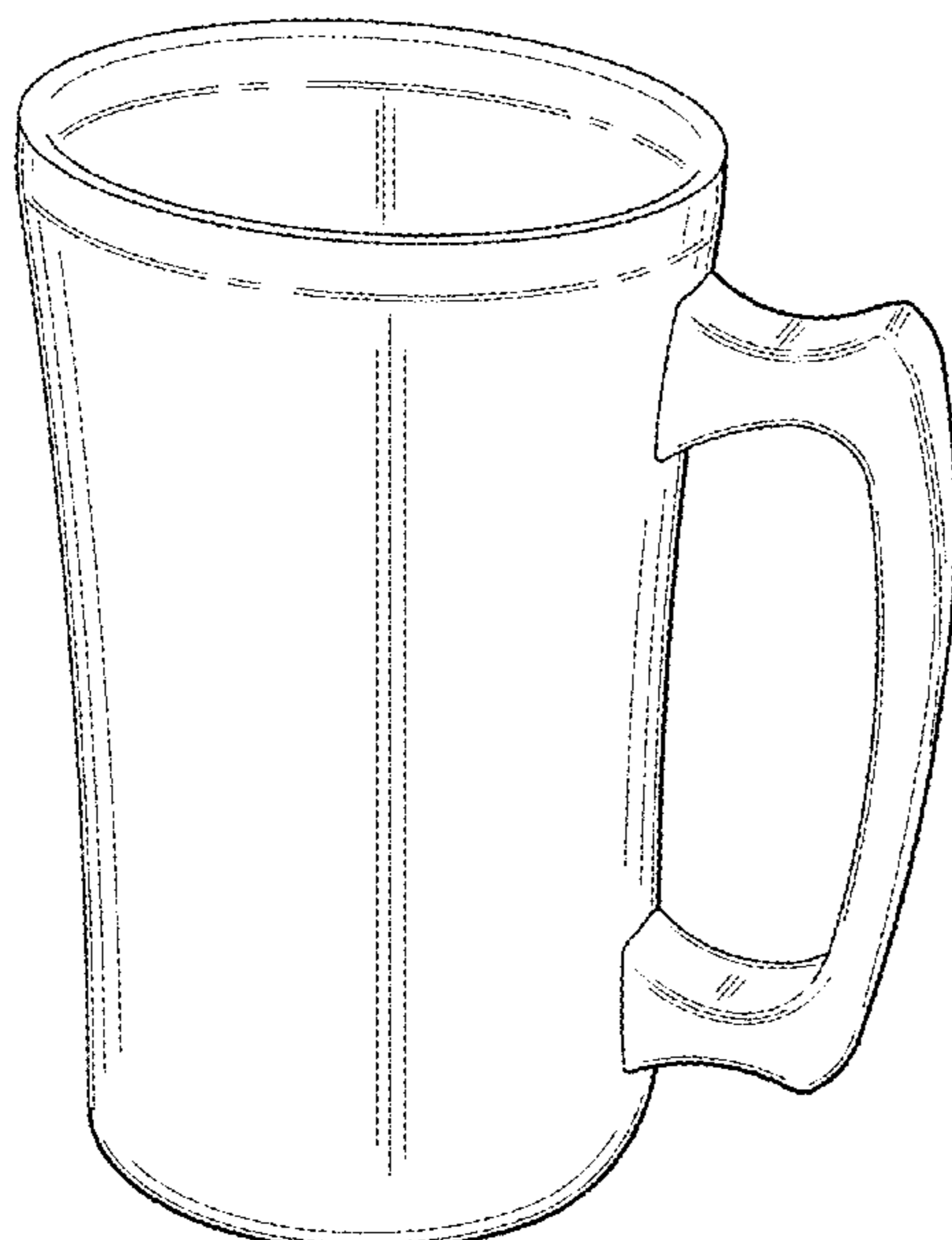




Fig. 1

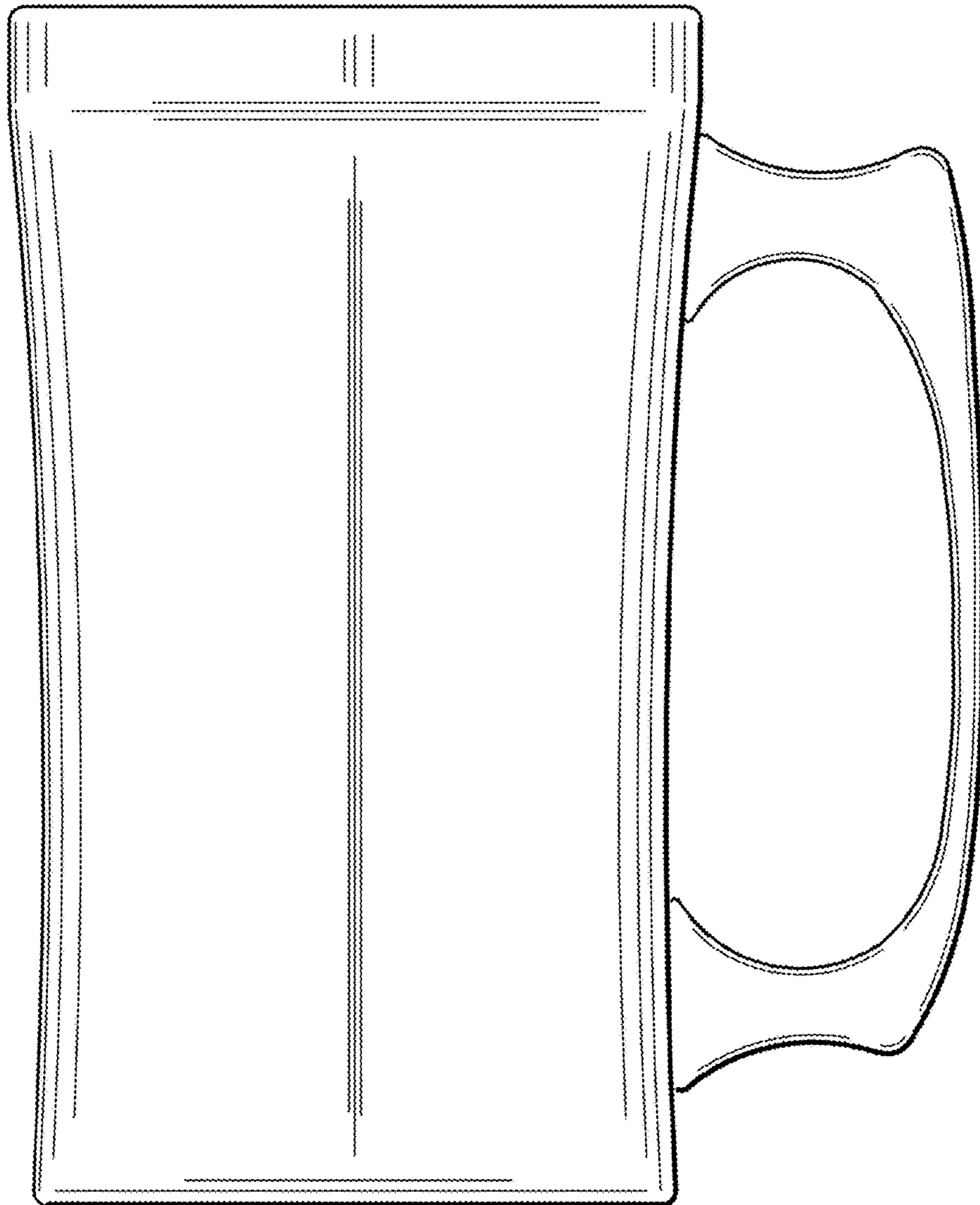


Fig. 2

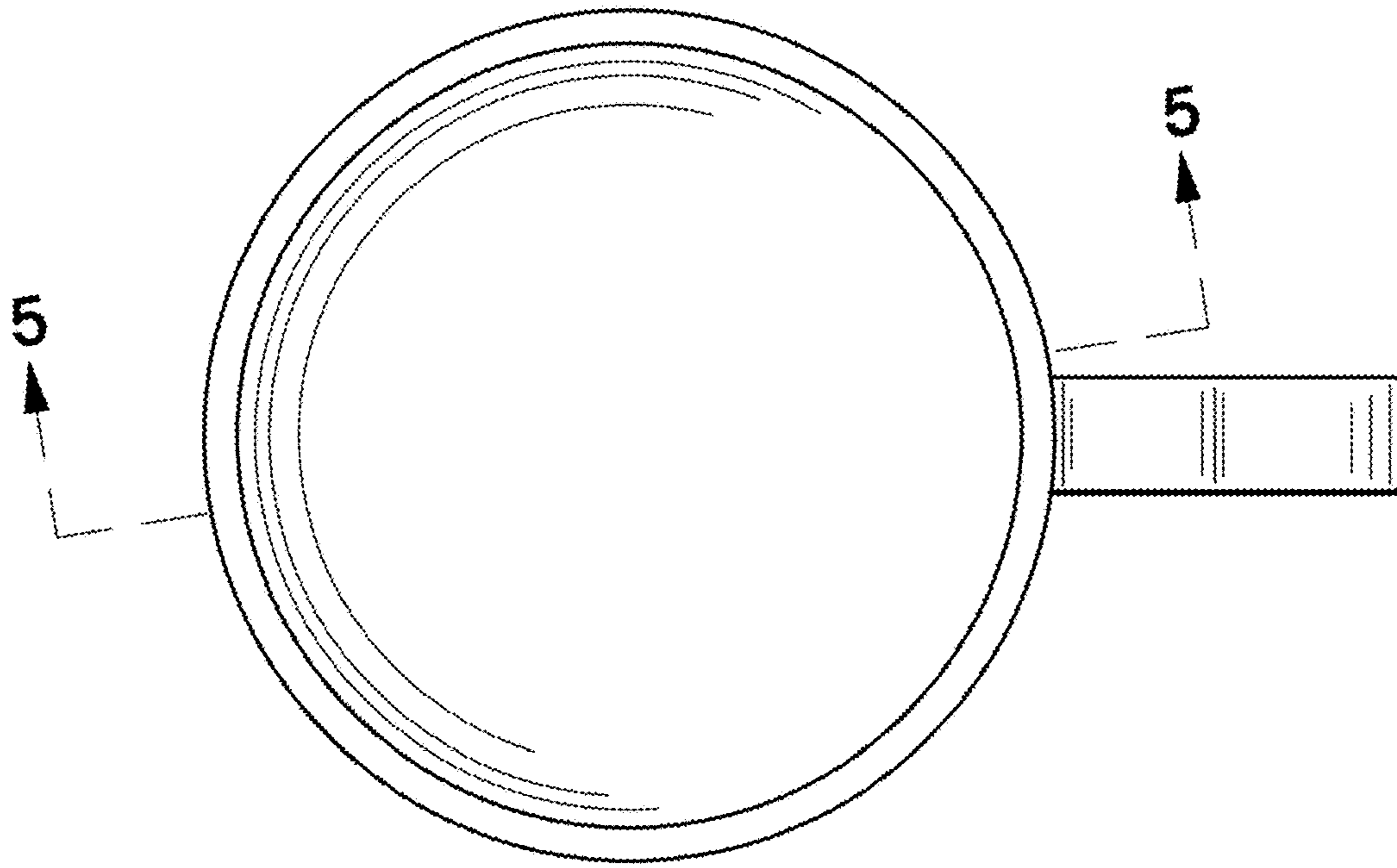


Fig. 3

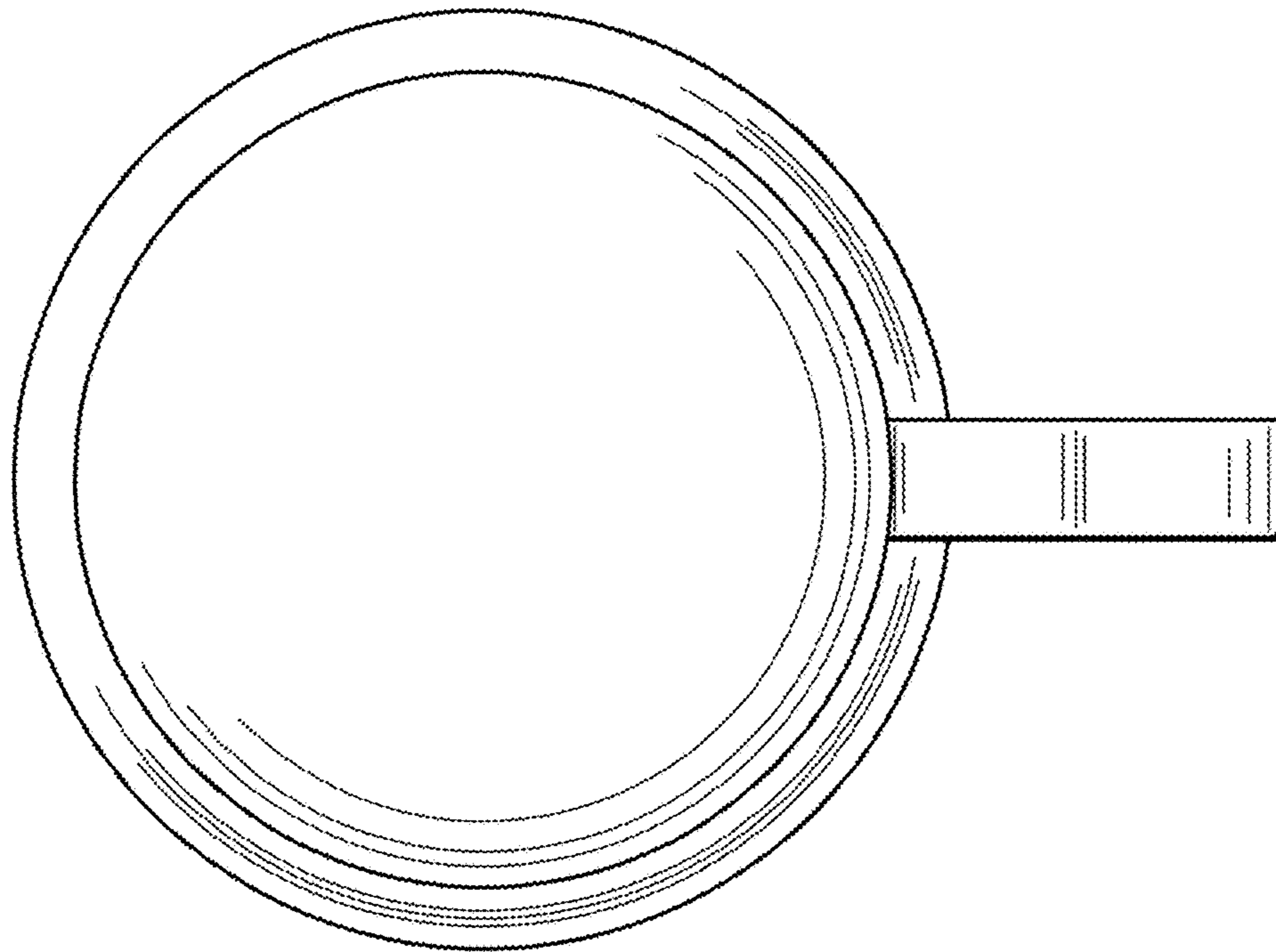


Fig. 4

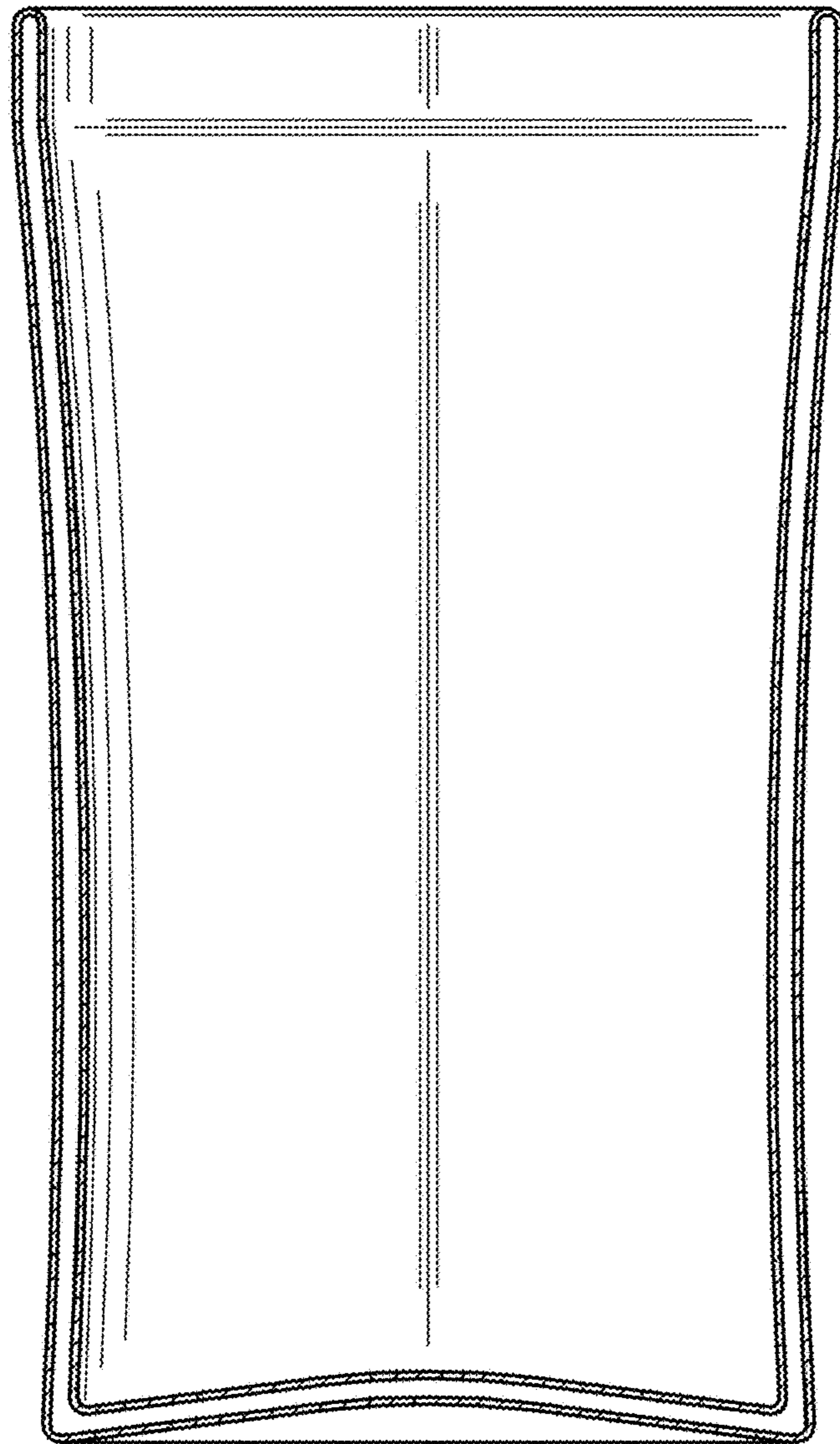


Fig. 5