

US00D842041S

(12) **United States Design Patent**
Robertson

(10) **Patent No.:** **US D842,041 S**
(45) **Date of Patent:** **** Mar. 5, 2019**

(54) **BENT STEMWARE**

(71) Applicant: **Scott F. Robertson**, Sanford, FL (US)

(72) Inventor: **Scott F. Robertson**, Sanford, FL (US)

(**) Term: **15 Years**

(21) Appl. No.: **29/590,284**

(22) Filed: **Jan. 9, 2017**

(51) **LOC (11) Cl.** **07-01**

(52) **U.S. Cl.**

USPC **D7/524**; D7/507; D7/528

(58) **Field of Classification Search**

USPC D7/507, 509, 510, 511, 523, 570, 529,
D7/524, 537, 526, 528, 532, 393, 213;
220/592.16, 592.17

CPC A47G 19/2205; A47G 19/2227; A47G
19/22; A45F 3/20

See application file for complete search history.

(56) **References Cited**

U.S. PATENT DOCUMENTS

D44,661 S *	9/1913	Hunter	D7/524
D115,519 S *	7/1939	Moreau	D7/524
D115,520 S *	7/1939	Moreau	D7/537
D115,522 S *	7/1939	Moreau	D7/537
2,757,524 A *	8/1956	Witten	A47G 19/06 220/23.83
4,428,490 A *	1/1984	Holloway	A47G 21/18 215/374
5,419,455 A *	5/1995	Russeau	A47G 19/06 206/562
D369,520 S *	5/1996	Harrison	D7/524
D411,940 S *	7/1999	Horvat	D7/505

D424,717 S *	5/2000	Padilla	D26/16
D458,083 S *	6/2002	Kerman	
D471,061 S *	3/2003	Kerman	D7/396.2
D568,548 S *	5/2008	Nylen	D30/125
D662,779 S *	7/2012	Dail	D7/524
D717,604 S *	11/2014	Klinge	D7/523
9,204,744 B2	12/2015	Vacanti	
D795,642 S *	8/2017	Leslein	D27/163
2005/0242102 A1	11/2005	Groppo	
2010/0116779 A1 *	5/2010	Erez	A47G 19/22 215/393

* cited by examiner

Primary Examiner — Marianne N Pandozzi

Assistant Examiner — Jae Liang

(74) *Attorney, Agent, or Firm* — Dunlap Bennett &
Ludwig PLLC; Brendan E. Squire

(57) **CLAIM**

The ornamental design for a bent stemware, as shown and described.

DESCRIPTION

FIG. 1 is a front perspective view of a bent stemware showing my new design;

FIG. 2 is a front elevational view thereof;

FIG. 3 is a rear elevational view thereof;

FIG. 4 is a left side elevational view thereof;

FIG. 5 is a right side elevational view thereof;

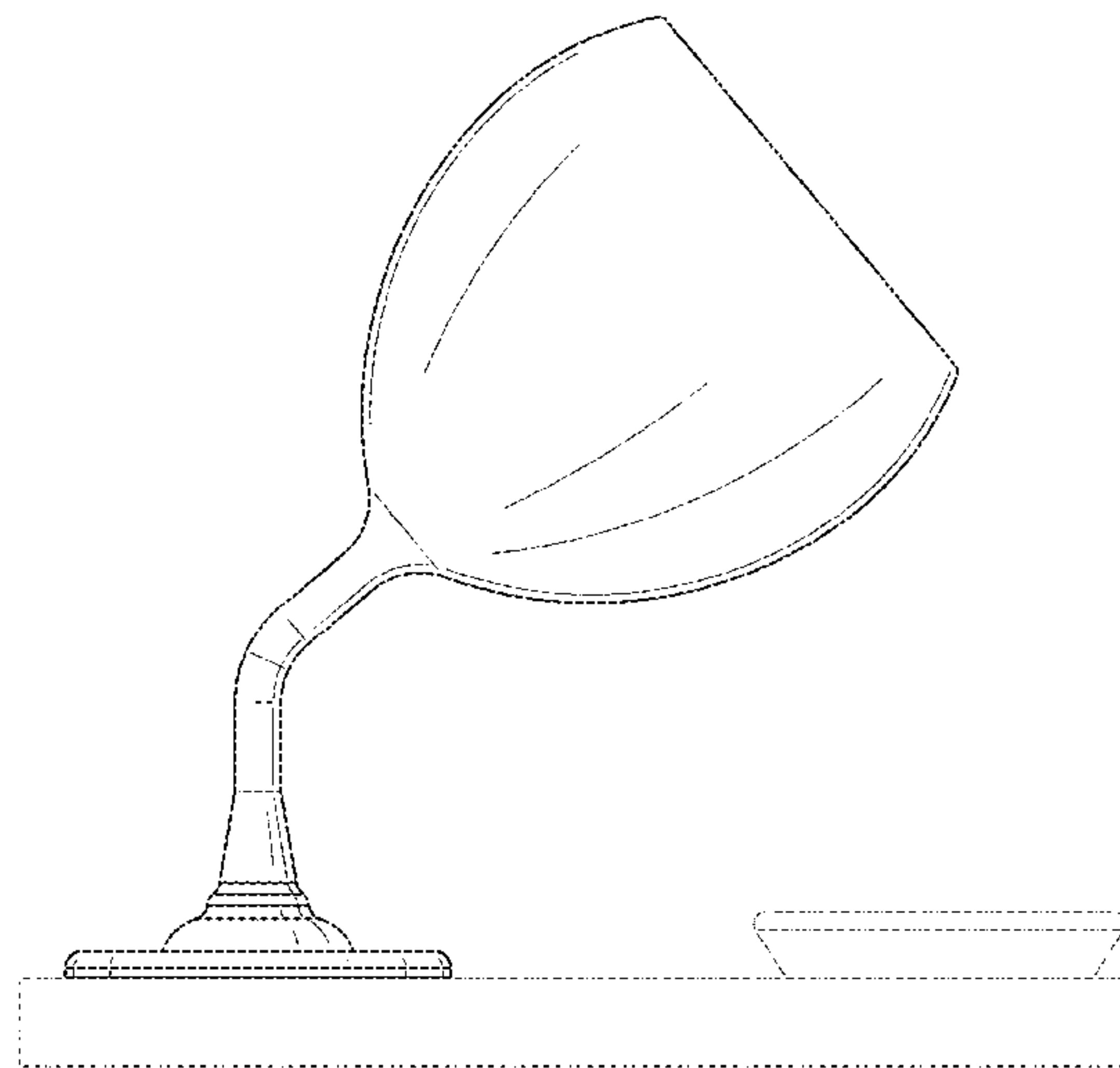
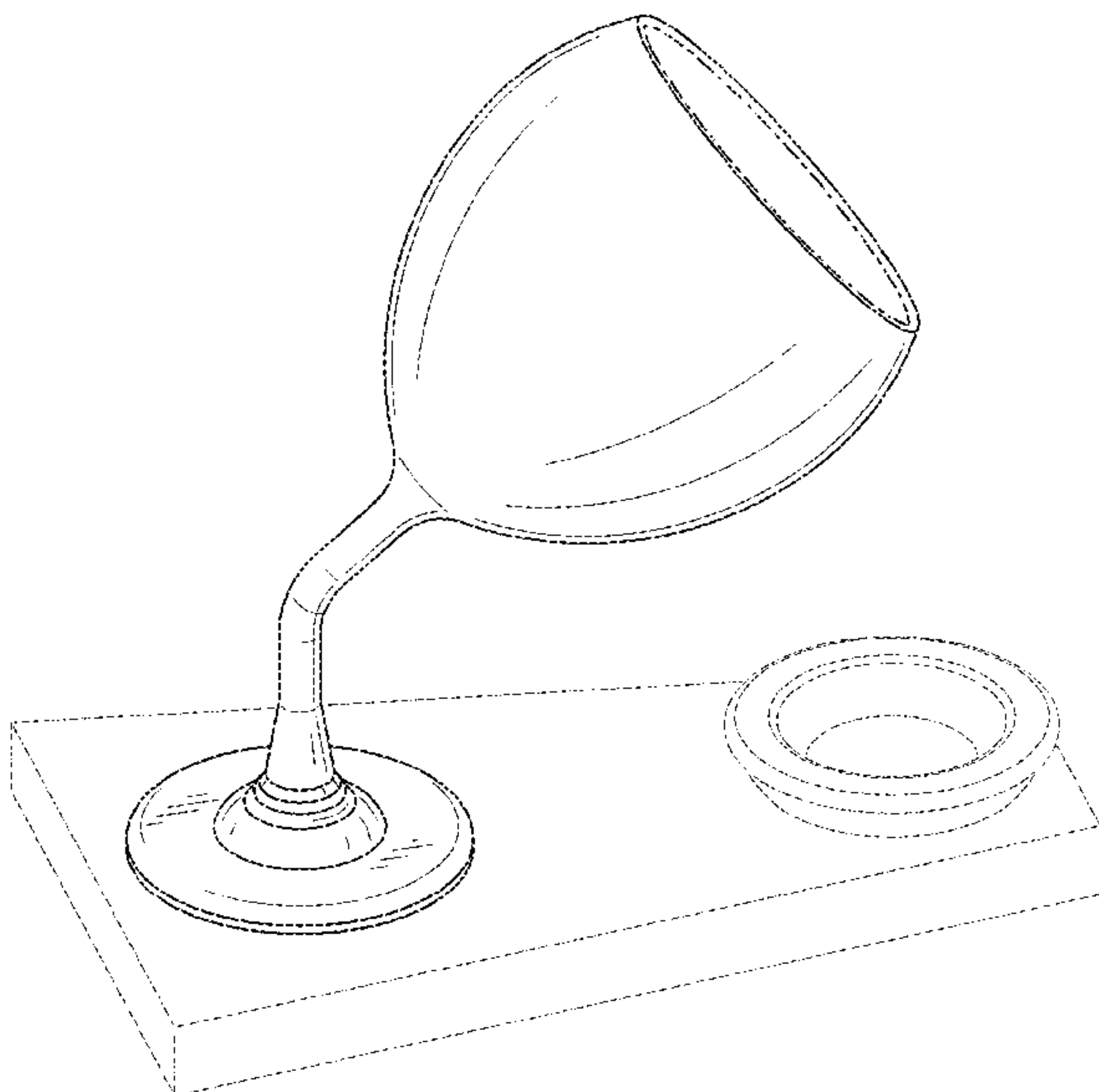
FIG. 6 is a top plan view thereof; and,

FIG. 7 is a bottom plan view thereof.

The broken lines in the drawings depict environmental subject matter only and form no part of the claimed design.

The dash dot lines in the drawings represent the bounds of the claim and form no part of the claimed design.

1 Claim, 5 Drawing Sheets



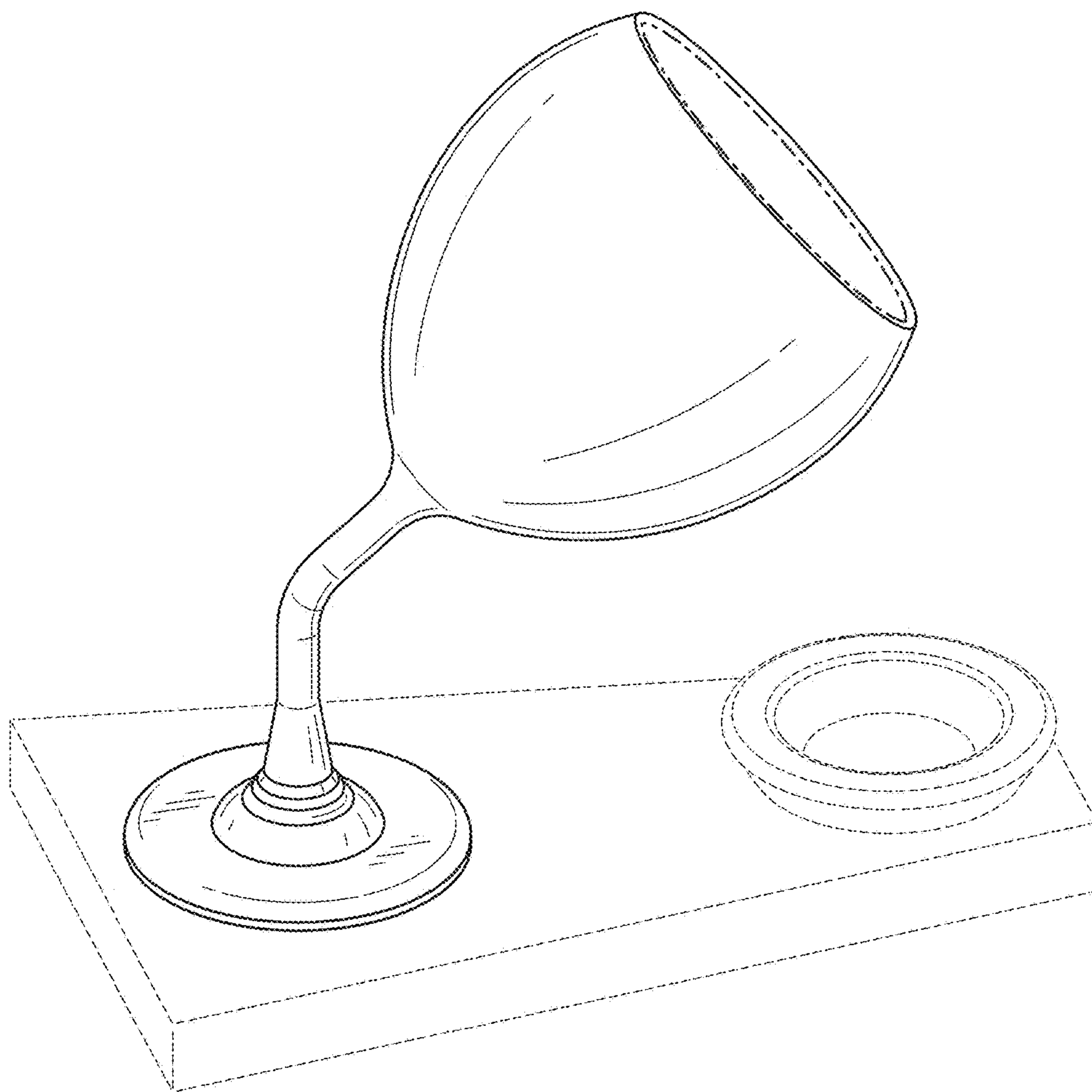


FIG. 1

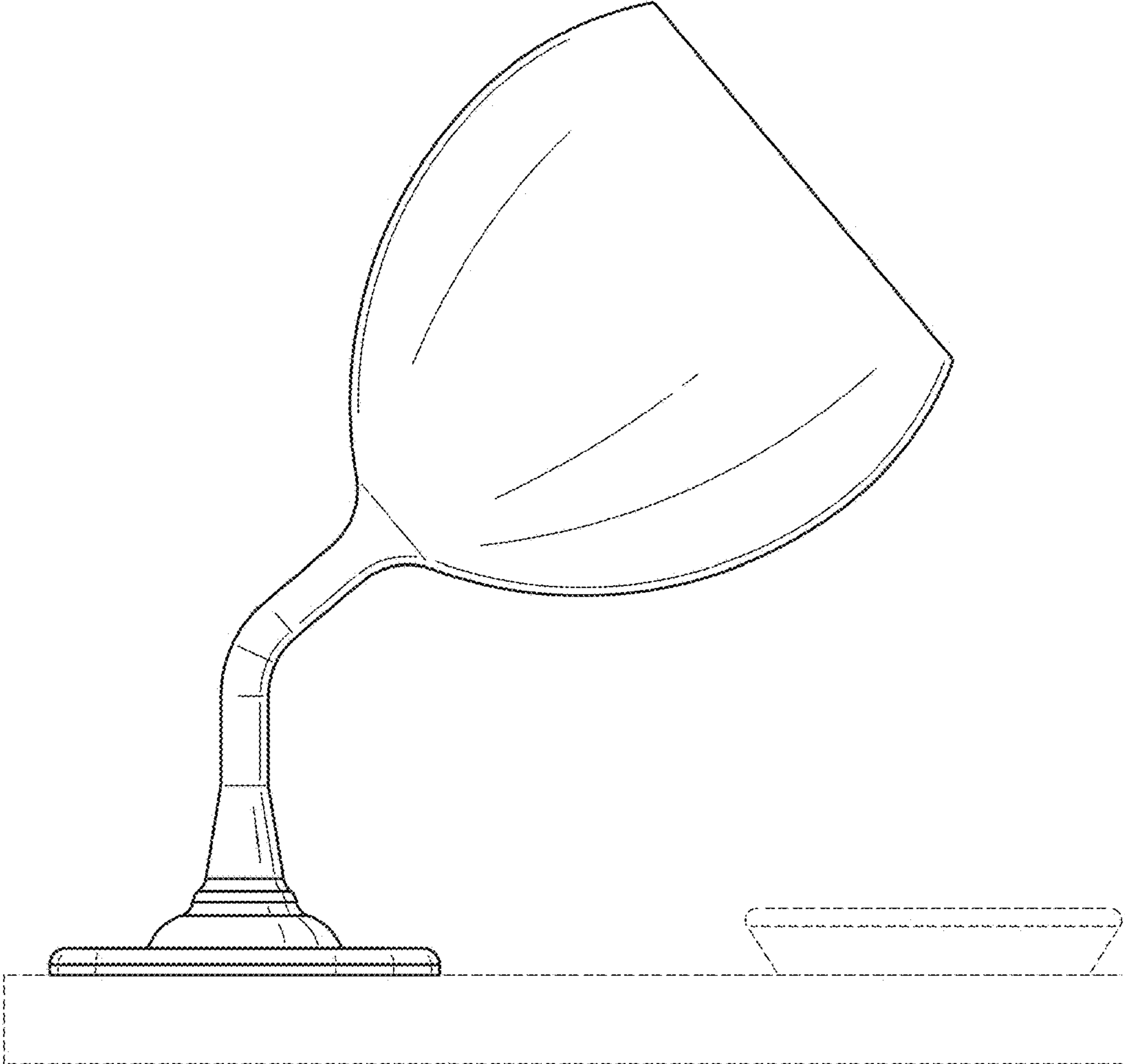


FIG. 2

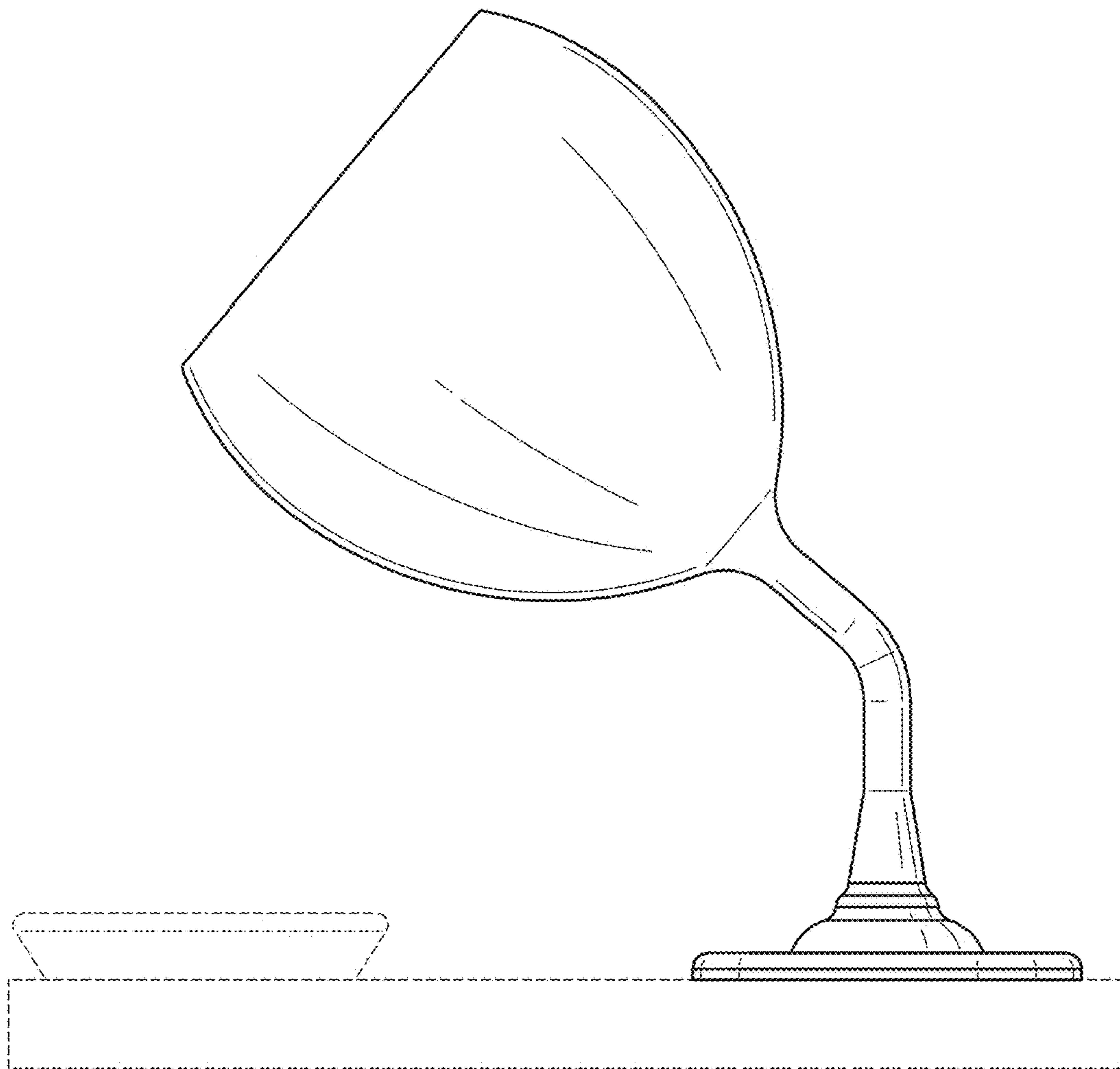


FIG. 3

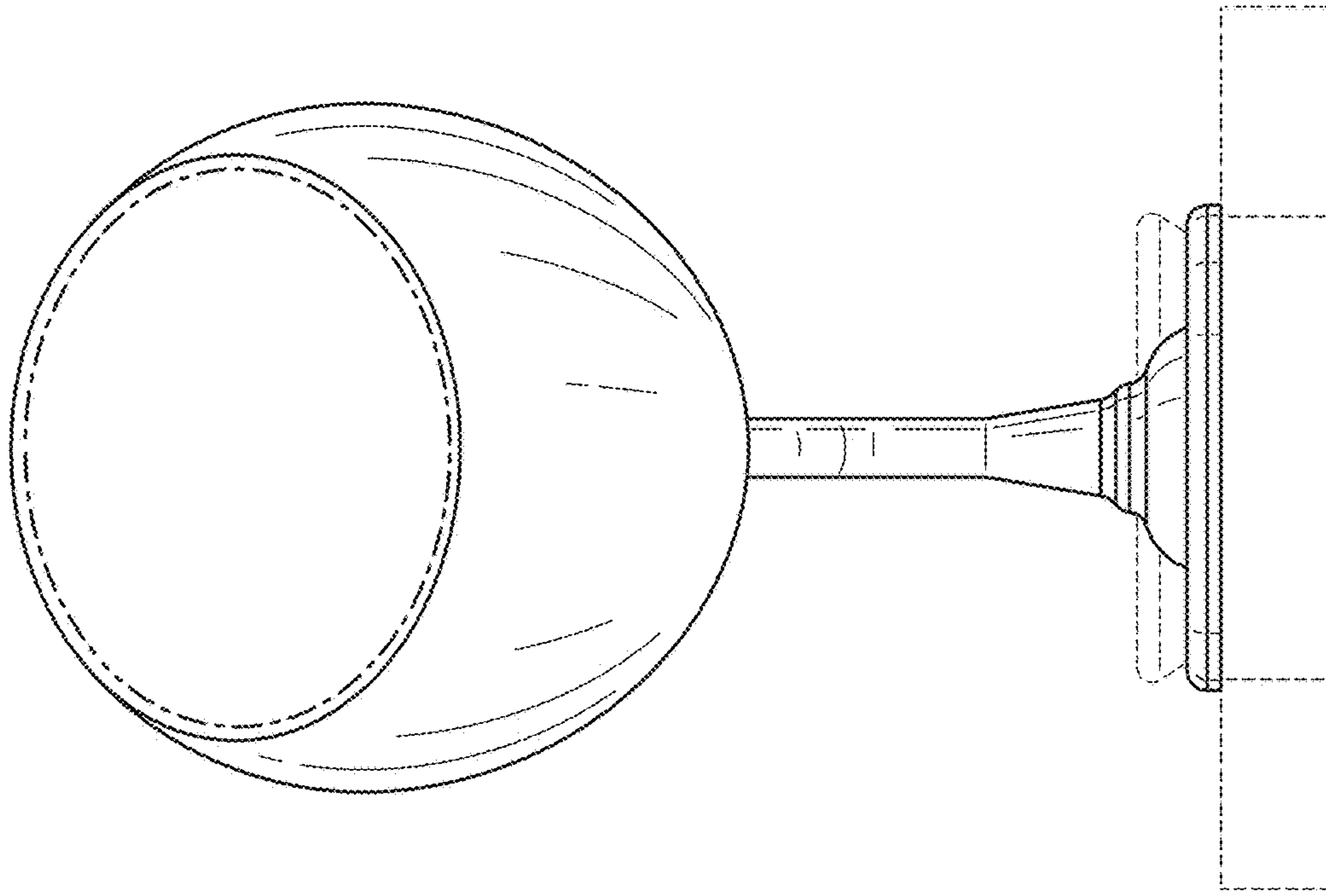


FIG. 5

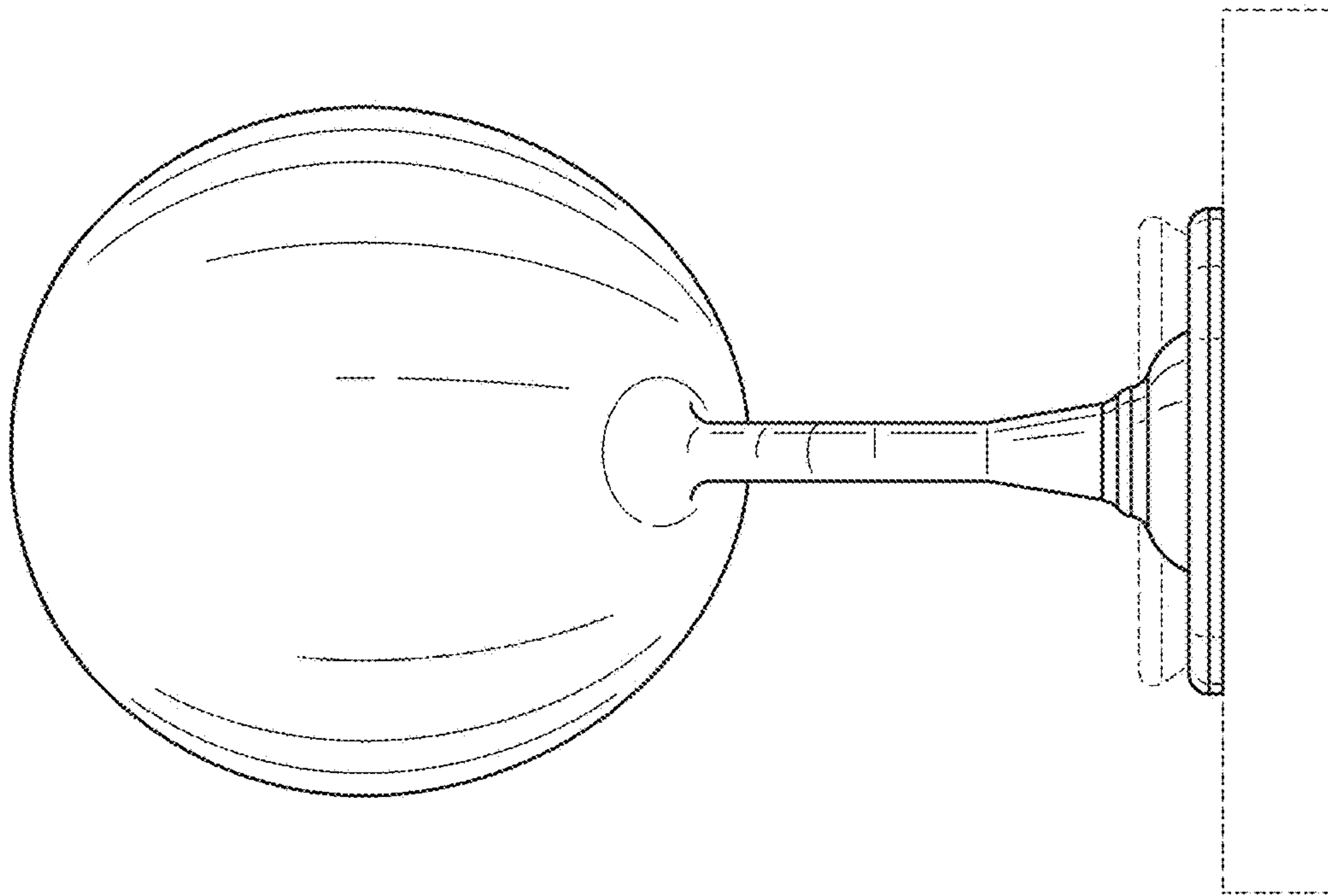


FIG. 4

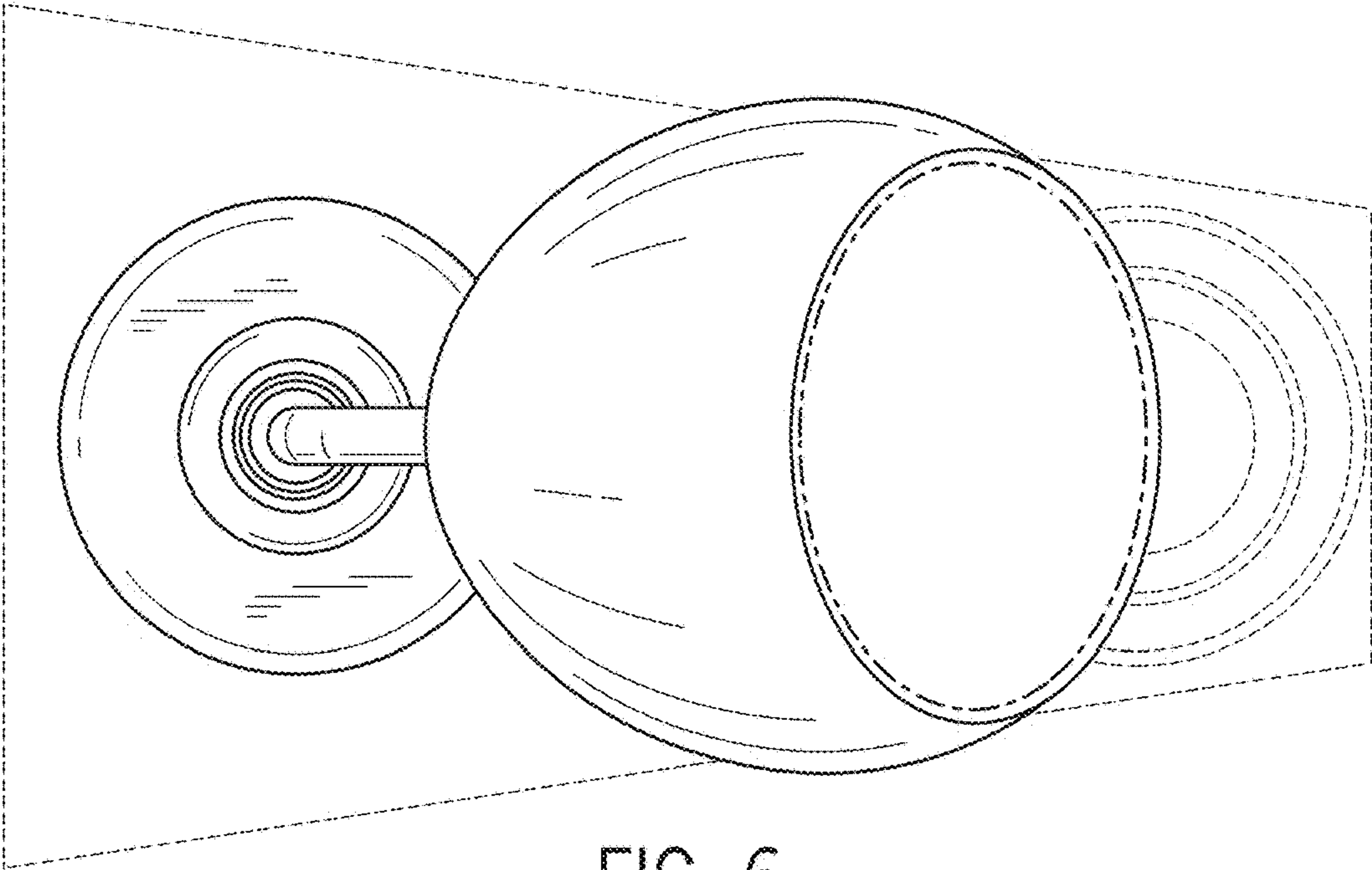


FIG. 6

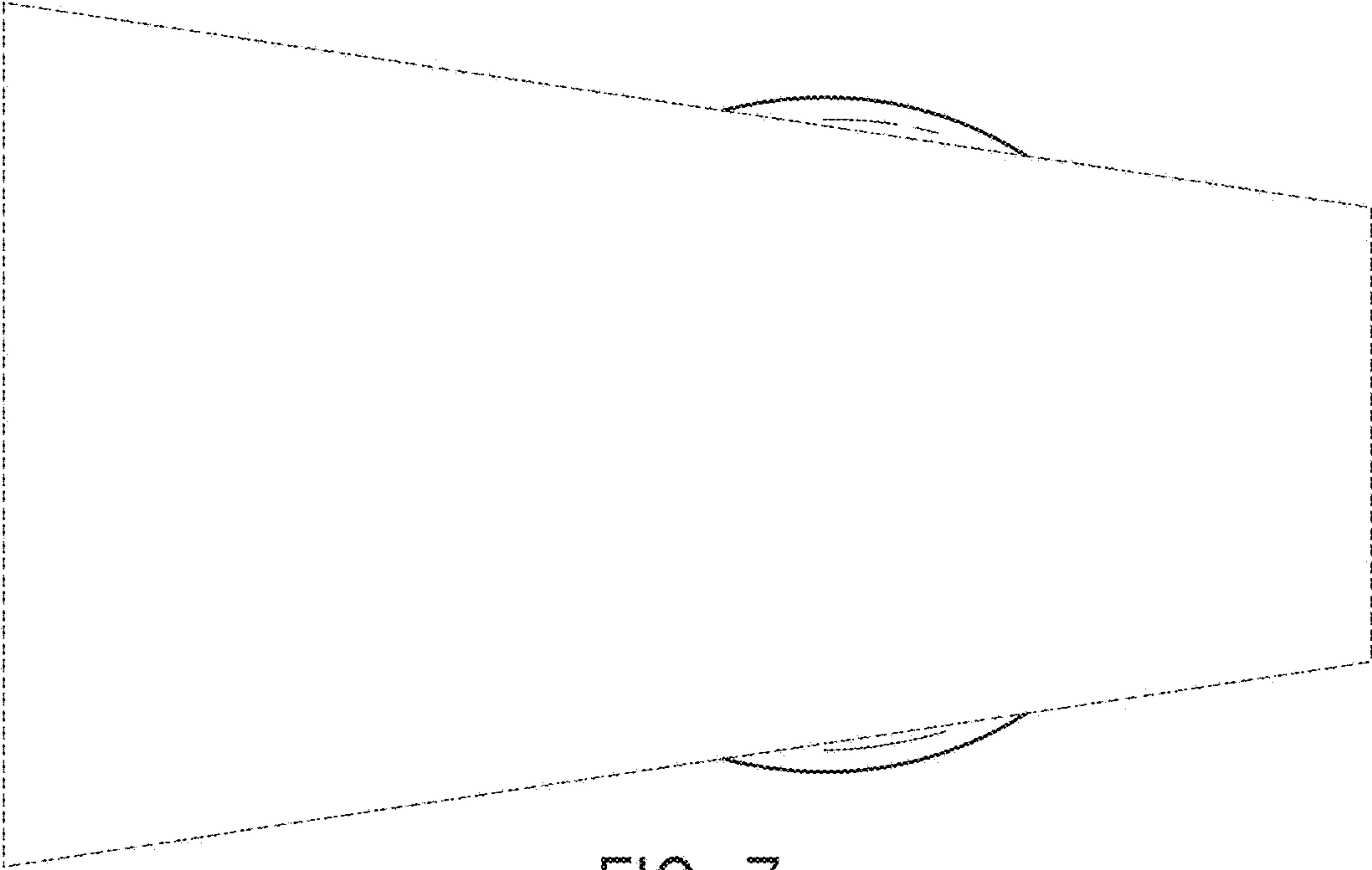


FIG. 7