



US00D842040S

(12) **United States Design Patent**  
**Lou**

(10) **Patent No.:** **US D842,040 S**

(45) **Date of Patent:** **\*\* Mar. 5, 2019**

- (54) **CUP**
- (71) Applicant: **Xinduo Lou**, Zhejiang (CN)
- (72) Inventor: **Xinduo Lou**, Zhejiang (CN)
- (\*\*) Term: **15 Years**
- (21) Appl. No.: **29/641,079**
- (22) Filed: **Mar. 19, 2018**
- (30) **Foreign Application Priority Data**  
Jan. 17, 2018 (CN) ..... 2018 3 0020342
- (51) **LOC (11) Cl.** ..... **07-01**
- (52) **U.S. Cl.**  
USPC ..... **D7/511; D9/516**
- (58) **Field of Classification Search**  
USPC ..... D7/300, 300.1, 509, 510, 511, 523,  
D7/396.2, 397; D9/516, 520, 525, 544,  
D9/546, 559, 563, 564, 435  
CPC ..... A45F 3/16; A45F 3/18; A47G 19/2266;  
A47G 19/2272; B65D 47/066; B65D  
43/02; B65D 41/04; A47J 43/27  
See application file for complete search history.

5,040,698 A *	8/1991	Ramsey	.....	B65D 1/165
				220/671
D345,105 S *	3/1994	Ramsey	.....	D9/556
D452,797 S *	1/2002	Palefsky	.....	D7/510
D640,137 S *	6/2011	Martone	.....	D9/452
D722,826 S *	2/2015	Coon	.....	D7/511
D771,990 S *	11/2016	Horowitz	.....	D7/300.1
D794,386 S *	8/2017	Steel	.....	D7/396.2
D795,649 S *	8/2017	Ke	.....	D7/509
D800,502 S *	10/2017	Weernink	.....	D7/510
D823,641 S *	7/2018	Bodum	.....	D7/510

\* cited by examiner

*Primary Examiner* — Derrick E Holland

*Assistant Examiner* — Andrew Kerr

(57) **CLAIM**

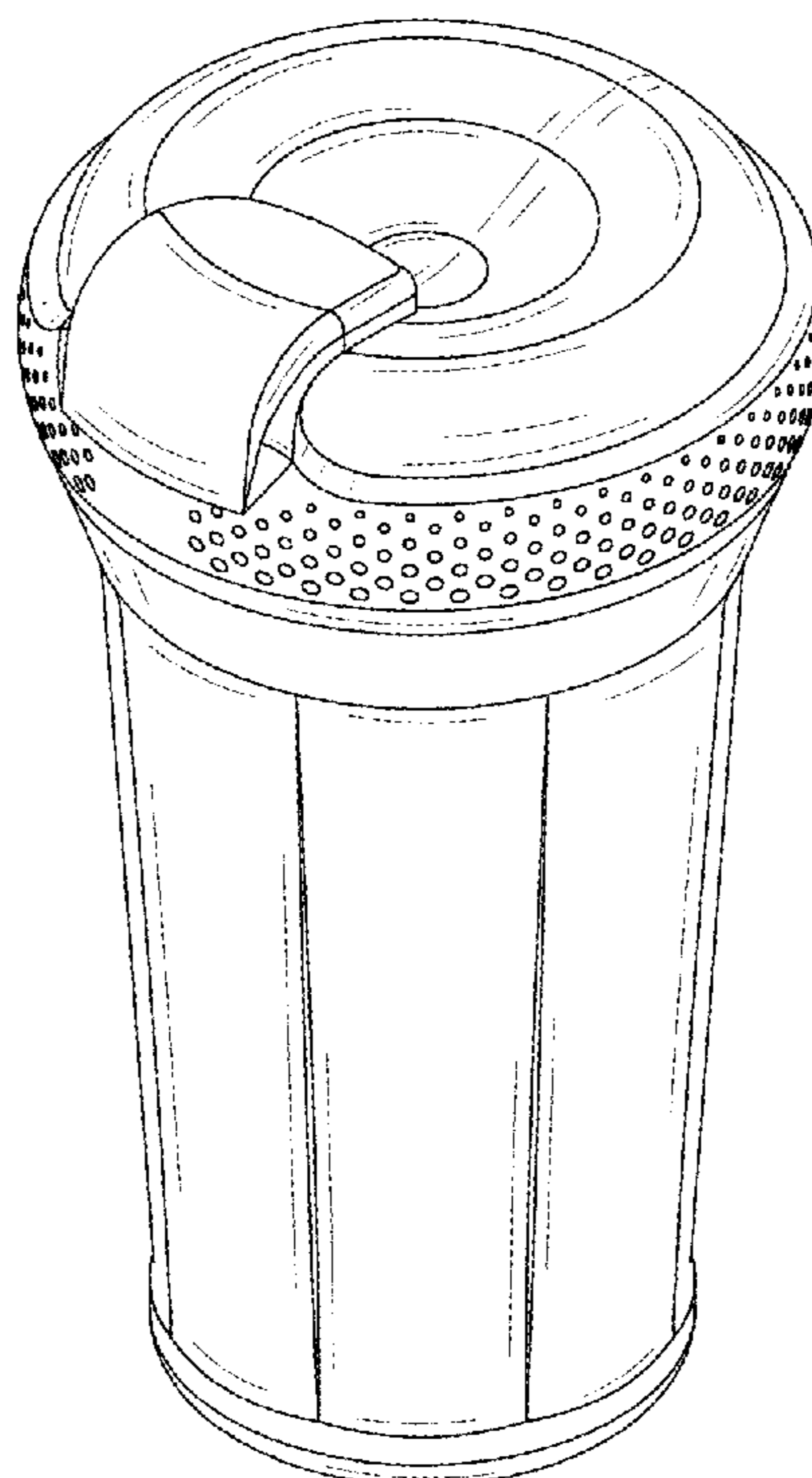
The ornamental design for a cup, as shown and described.

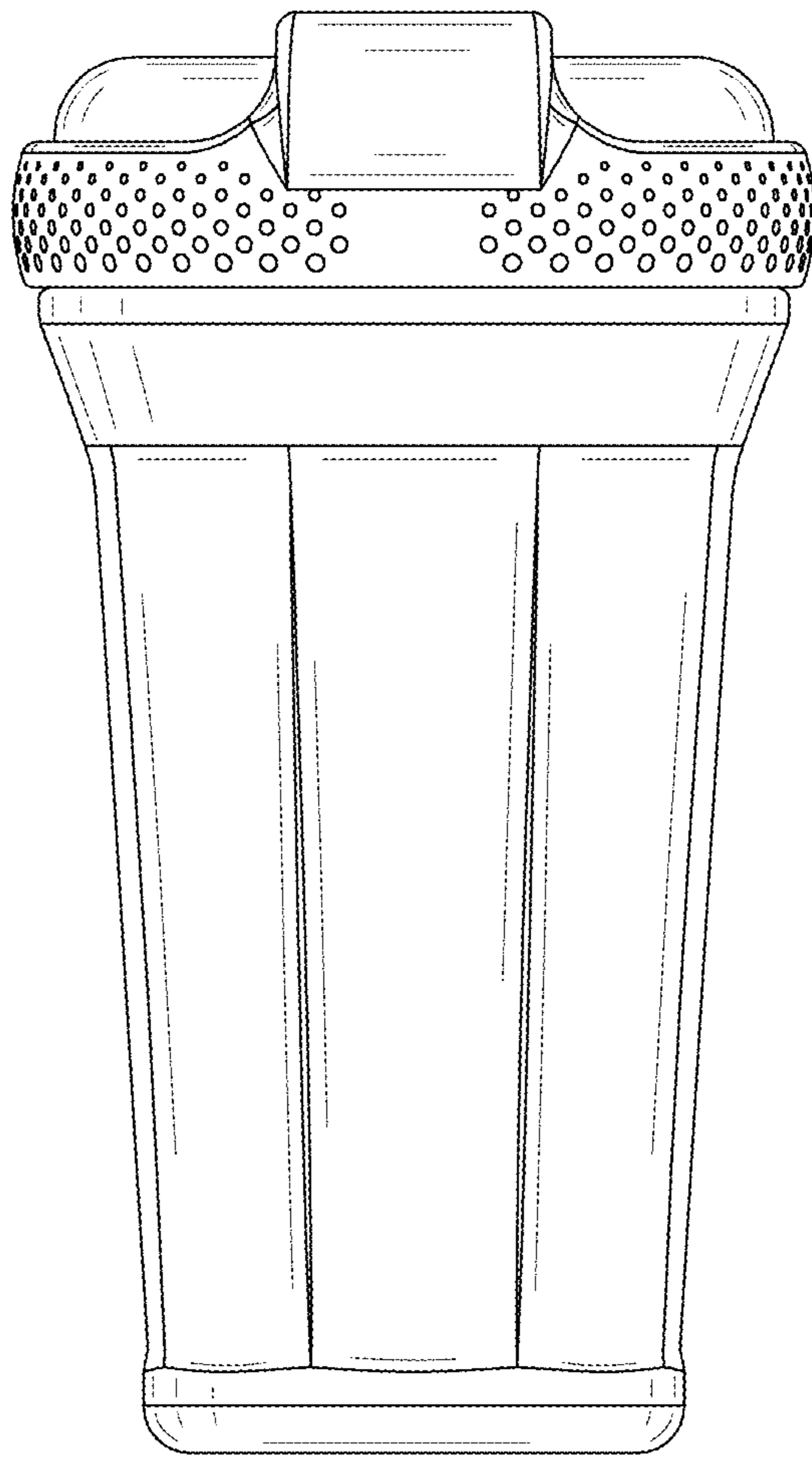
**DESCRIPTION**

FIG. 1 is a front view of a cup showing my new design;  
 FIG. 2 is a back view thereof;  
 FIG. 3 is a left side view thereof;  
 FIG. 4 is a right side view thereof;  
 FIG. 5 is a top view thereof;  
 FIG. 6 is a bottom view thereof;  
 FIG. 7 is a perspective view thereof; and,  
 FIG. 8 is another perspective view thereof.

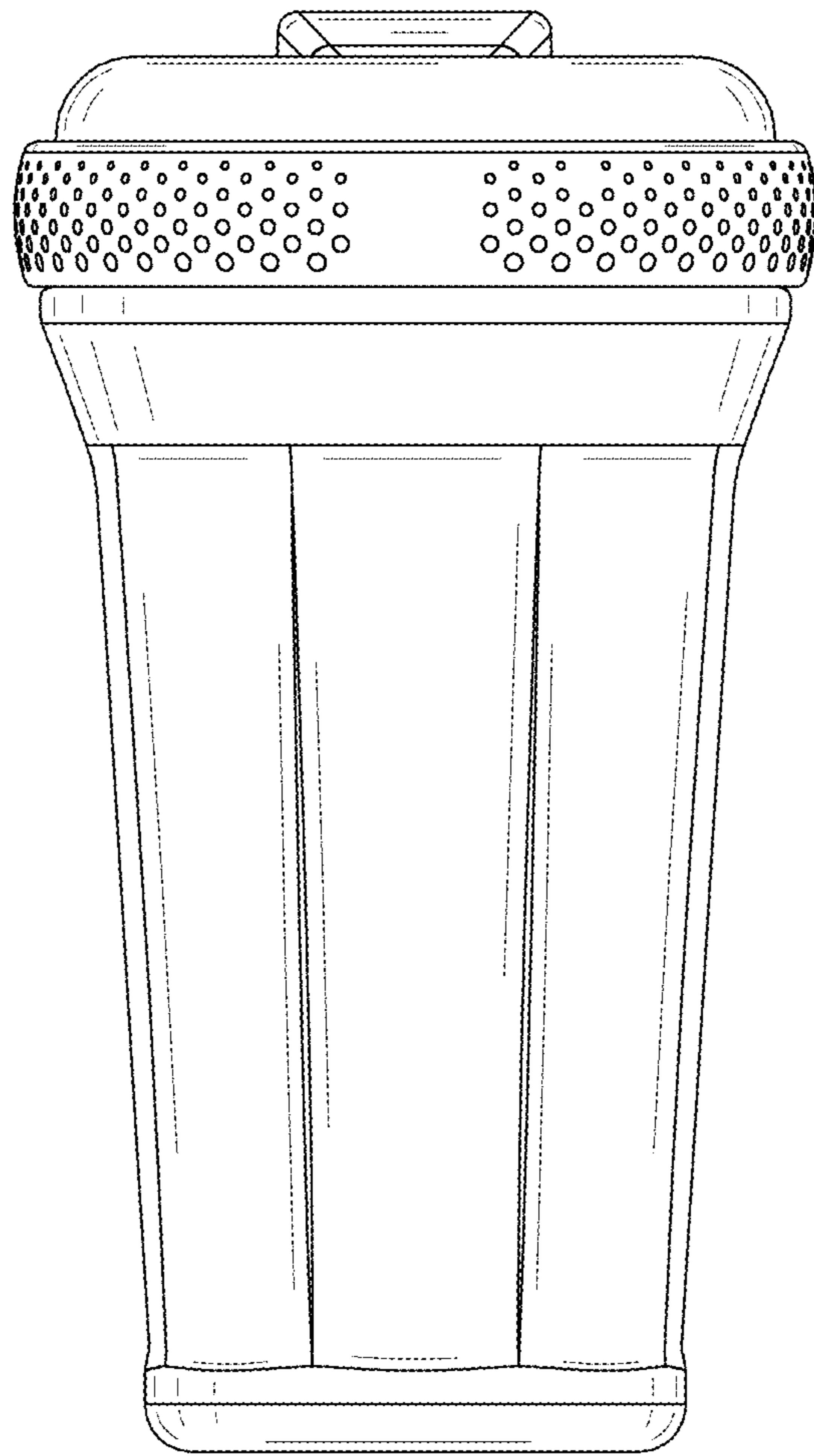
**1 Claim, 7 Drawing Sheets**

- (56) **References Cited**  
U.S. PATENT DOCUMENTS  
D222,340 S \* 10/1971 Weckman ..... D9/556  
D291,284 S \* 8/1987 Taylor ..... D9/571

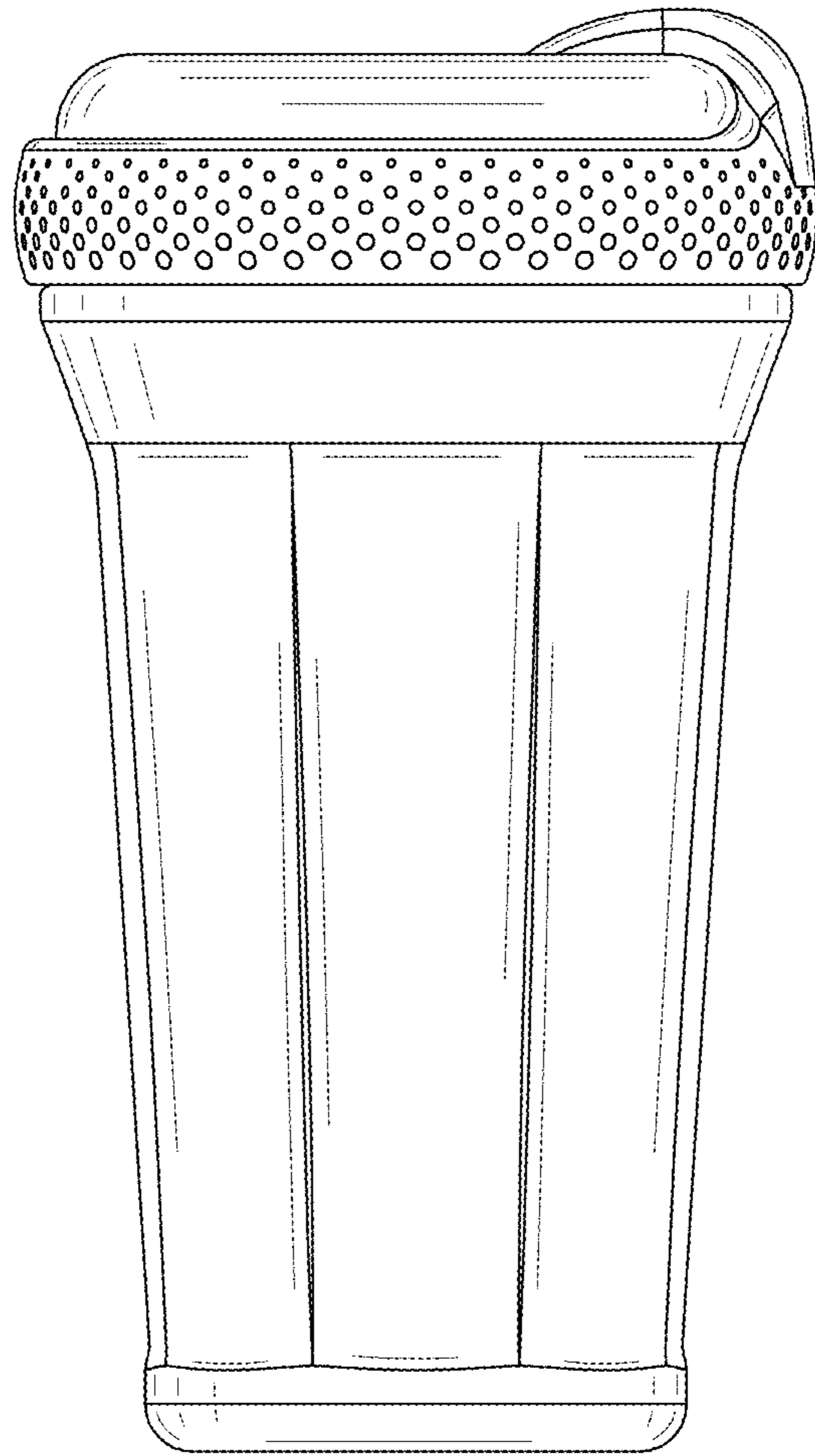




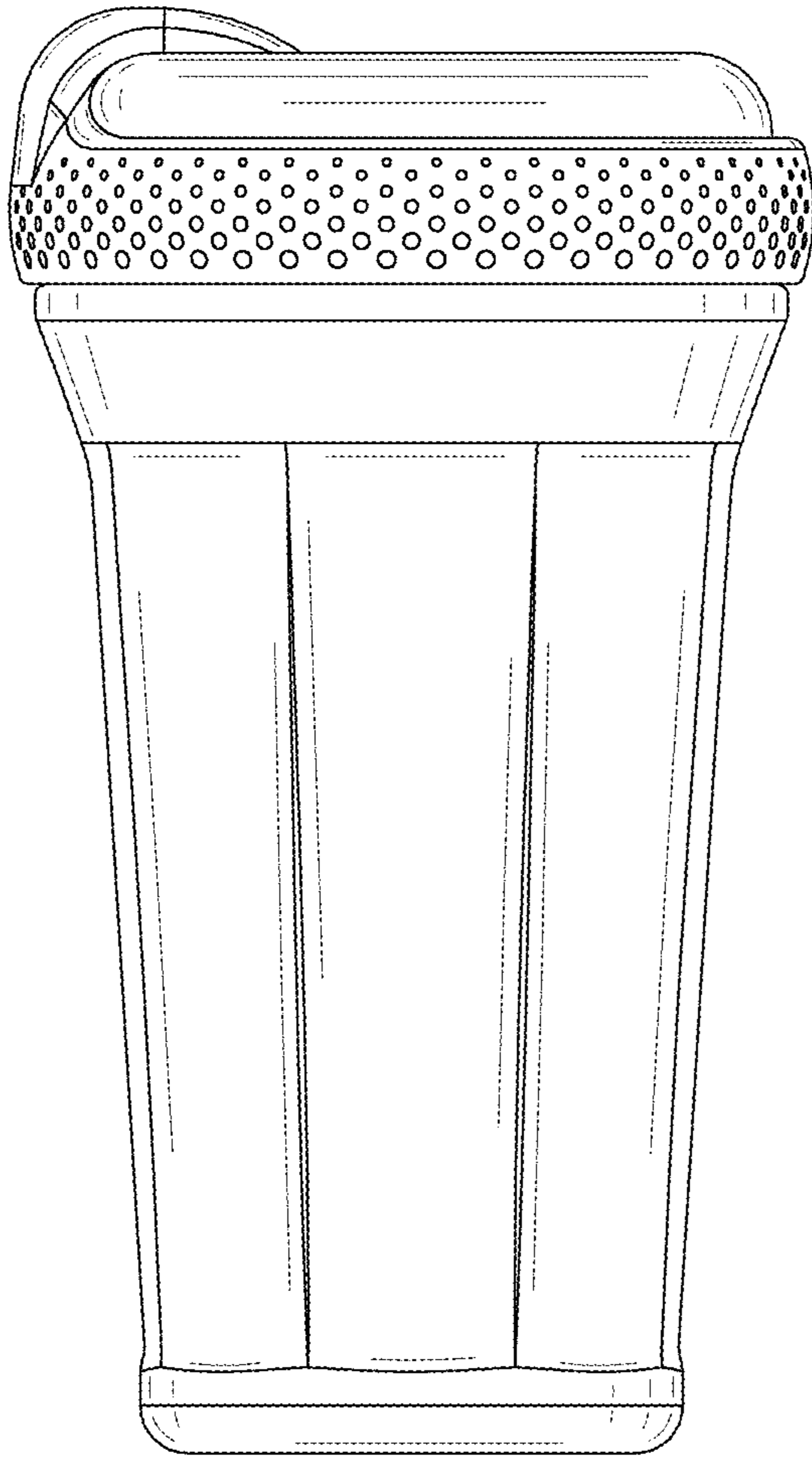
*Fig.1*



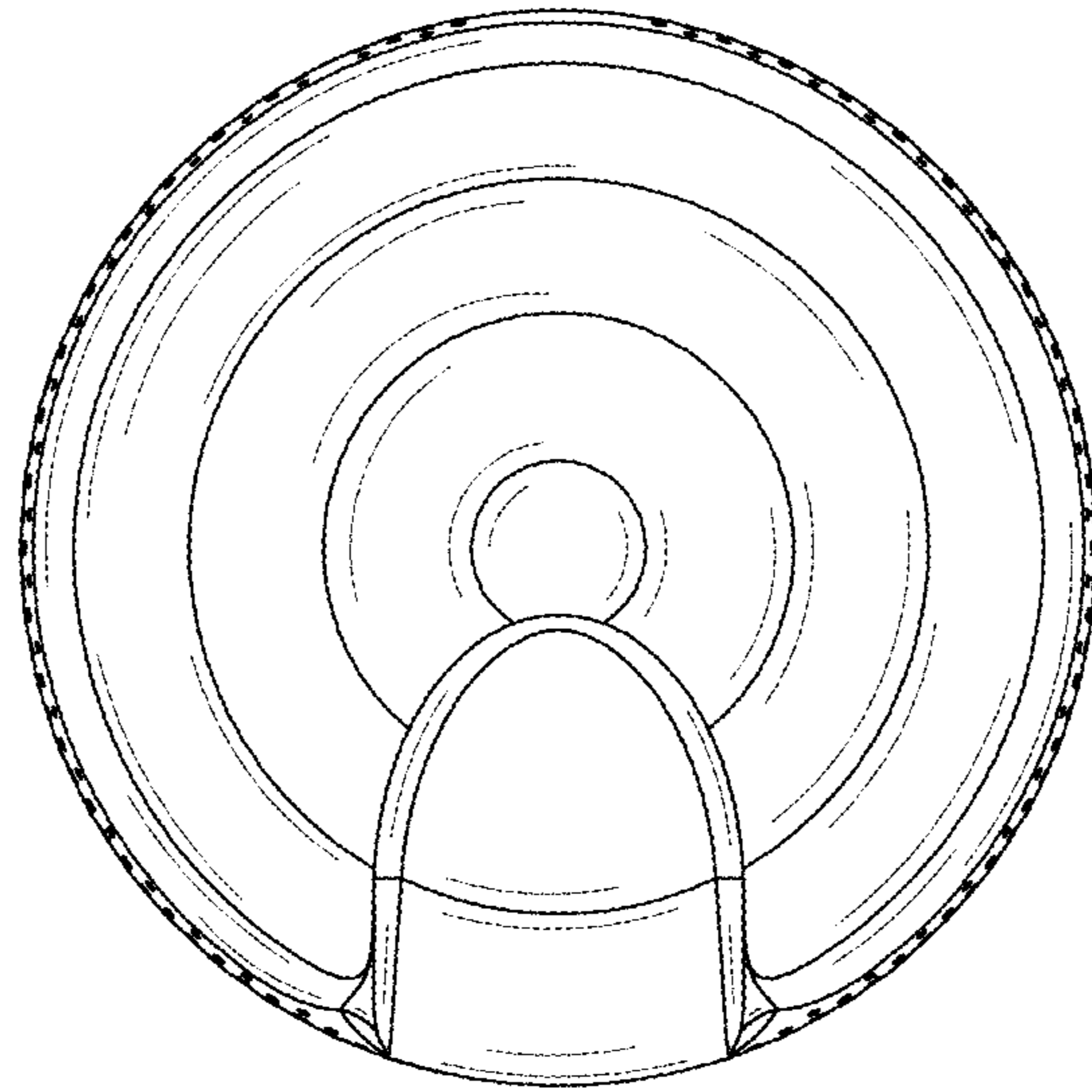
*Fig.2*



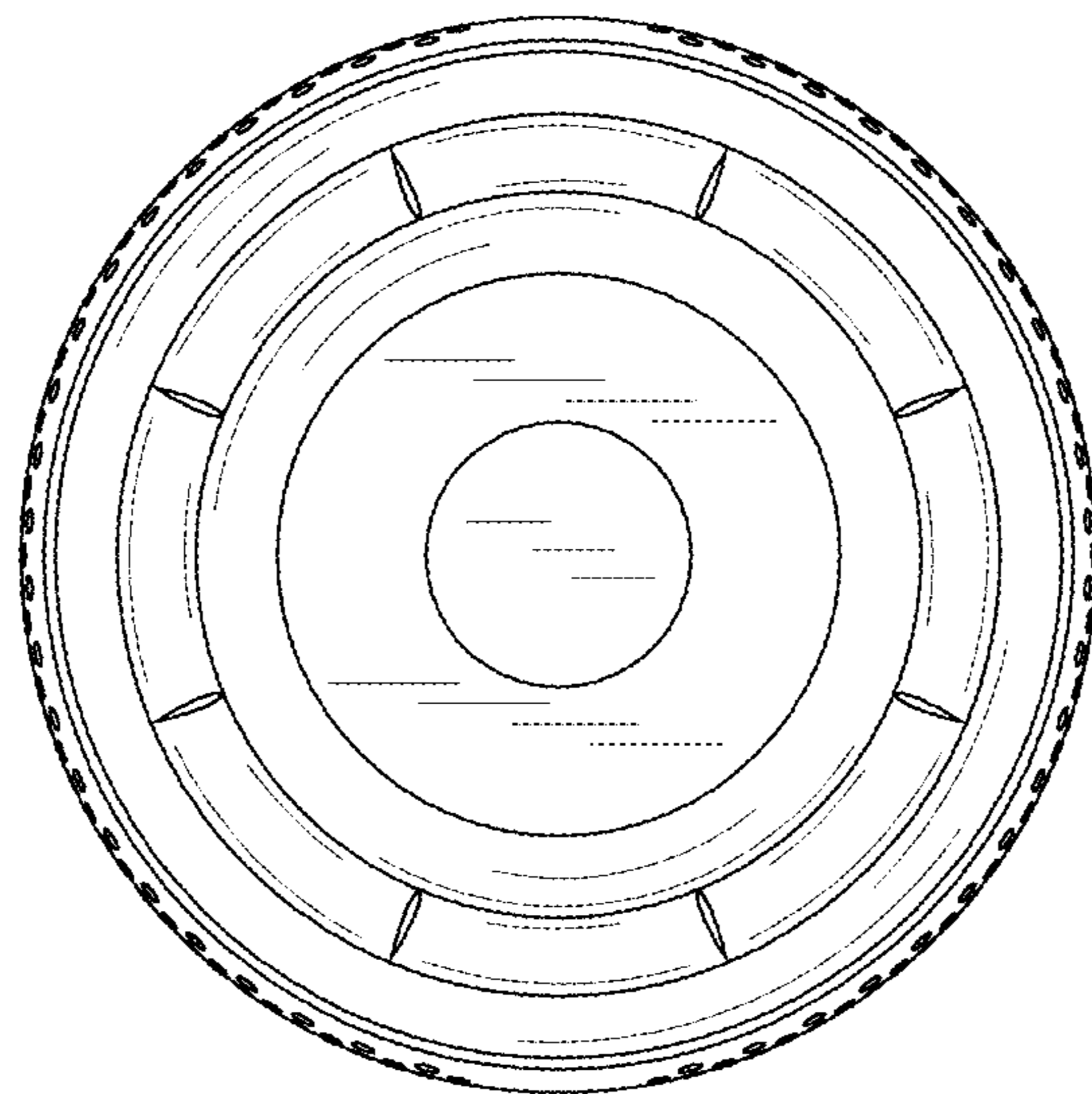
*Fig3*



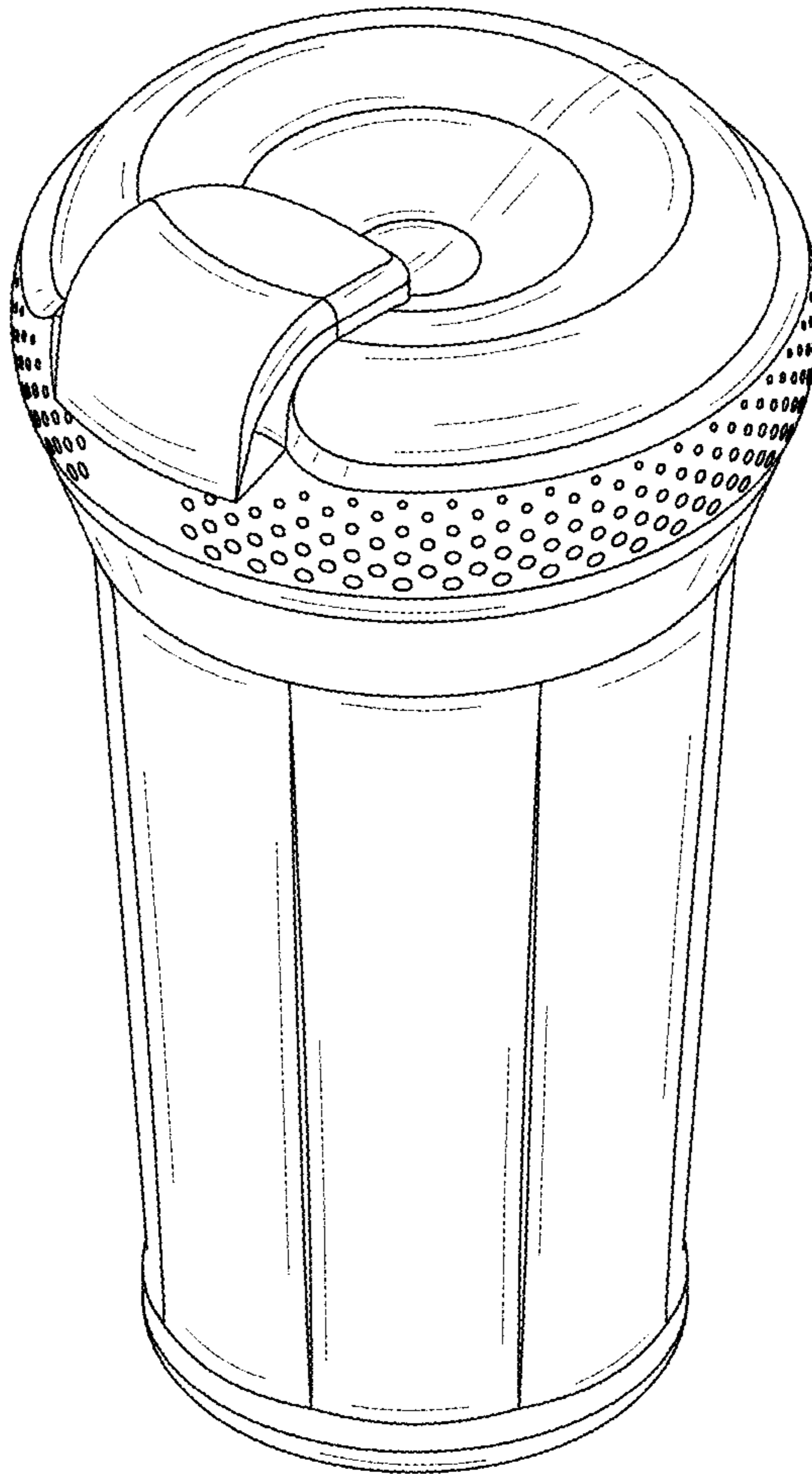
*Fig.4*



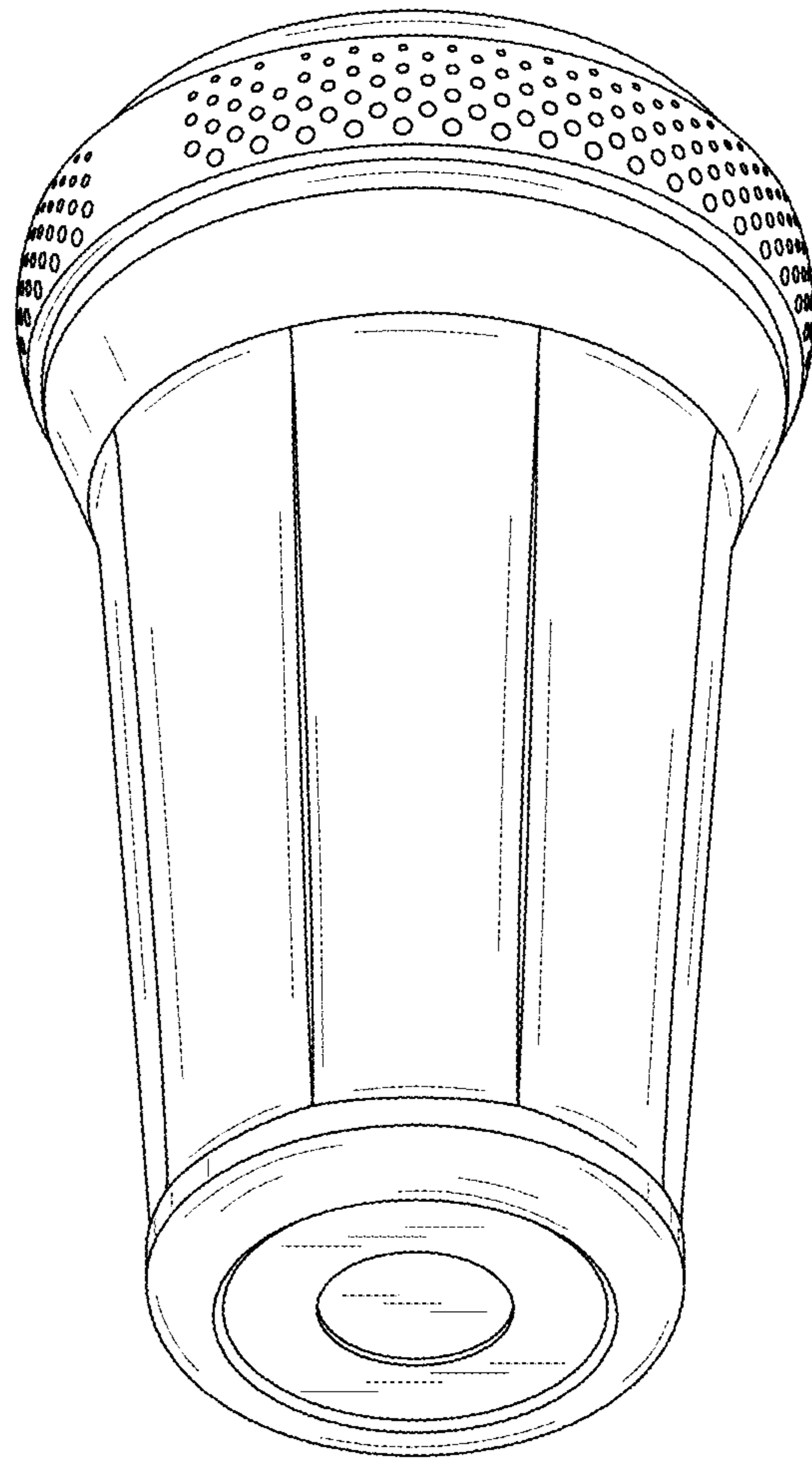
*Fig.5*



*Fig.6*



*Fig.7*



*Fig.8*