



US00D842039S

(12) **United States Design Patent**  
**Dongguan**

(10) **Patent No.:** **US D842,039 S**  
(45) **Date of Patent:** **\*\* Mar. 5, 2019**

- (54) **CONVENIENCE JUICE CUP**
- (71) Applicant: **Dongguan Petolar Craft Gifts**  
**Dongguan, Dongguan (CN)**
- (72) Inventor: **Dongguan Petolar Craft Gifts**  
**Dongguan, Dongguan (CN)**
- (\*\*) Term: **15 Years**
- (21) Appl. No.: **29/614,676**
- (22) Filed: **Aug. 22, 2017**
- (51) **LOC (11) Cl.** ..... **07-01**
- (52) **U.S. Cl.**  
USPC ..... **D7/510; D7/532; D7/536**
- (58) **Field of Classification Search**  
USPC ..... D7/507, 509, 510, 511, 523, 529, 531,  
D7/532, 533, 536, 392.1, 396.2, 300.2,  
D7/608, 387, 589; D9/500, 501, 502,  
D9/503, 530, 516, 453, 447; 220/592.16,  
220/592.17; D10/46.2  
CPC ..... A47G 19/2205; A47G 19/22; A47G  
19/2266; B65D 47/066; A45F 3/16; A47J  
41/02  
See application file for complete search history.

D793,166	S *	8/2017	Karussi	.....	D7/510
9,902,533	B2 *	2/2018	Meyers	.....	B65D 47/0866
D814,241	S *	4/2018	Nickley	.....	D7/510
D817,713	S *	5/2018	Lin	.....	D7/510
D819,403	S *	6/2018	Li	.....	D7/510
D821,816	S *	7/2018	Racamier	.....	D7/511
D823,641	S *	7/2018	Bodum	.....	D7/510
2015/0298867	A1 *	10/2015	Sanderson	.....	A01K 7/00 215/6

\* cited by examiner

*Primary Examiner* — Marianne N Pandozzi  
*Assistant Examiner* — Jae Liang  
(74) *Attorney, Agent, or Firm* — John L. Sotomayor

(57) **CLAIM**

The ornamental design for a convenience juice cup, as shown and described.

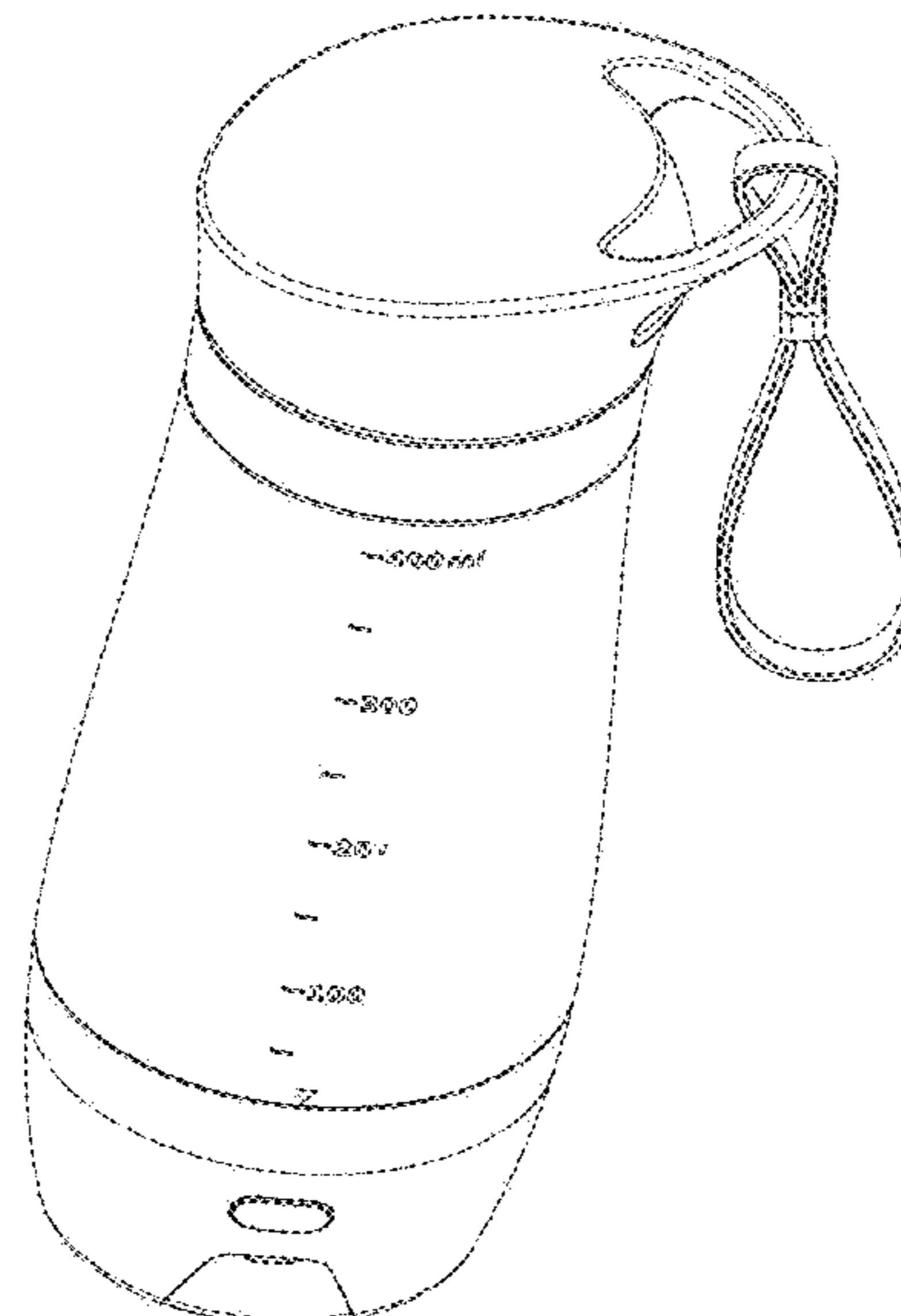
**DESCRIPTION**

A portion of the disclosure of this patent document contains material which is subject to copyright protection. The copyright owner has no objection to the facsimile reproduction of the patent document or the patent disclosure, as it appears in the Patent and Trademark Office patent file or records, but otherwise reserves all copyright rights whatsoever.

FIG. 1 is a perspective view of a convenience juice cup showing my new design.  
FIG. 2 is a front view thereof;  
FIG. 3 is a left side view thereof;  
FIG. 4 is a right side view thereof;  
FIG. 5 is a top view thereof; and,  
FIG. 6 is a bottom view thereof.  
The broken lines in the drawings depict portions of the convenience juice cup that form no part of the claimed design.

**1 Claim, 5 Drawing Sheets**

- (56) **References Cited**  
U.S. PATENT DOCUMENTS  
D587,060 S \* 2/2009 Tong Chi Chung ..... D7/317  
D667,694 S \* 9/2012 Meyers ..... D7/510  
D676,278 S \* 2/2013 Wong ..... D7/510  
D676,279 S \* 2/2013 Wong ..... D7/510  
8,939,305 B2 \* 1/2015 Meyers ..... B65D 47/0885  
220/262  
D723,331 S \* 3/2015 Lapsker ..... D7/510  
D789,148 S \* 6/2017 Hornung ..... D7/507



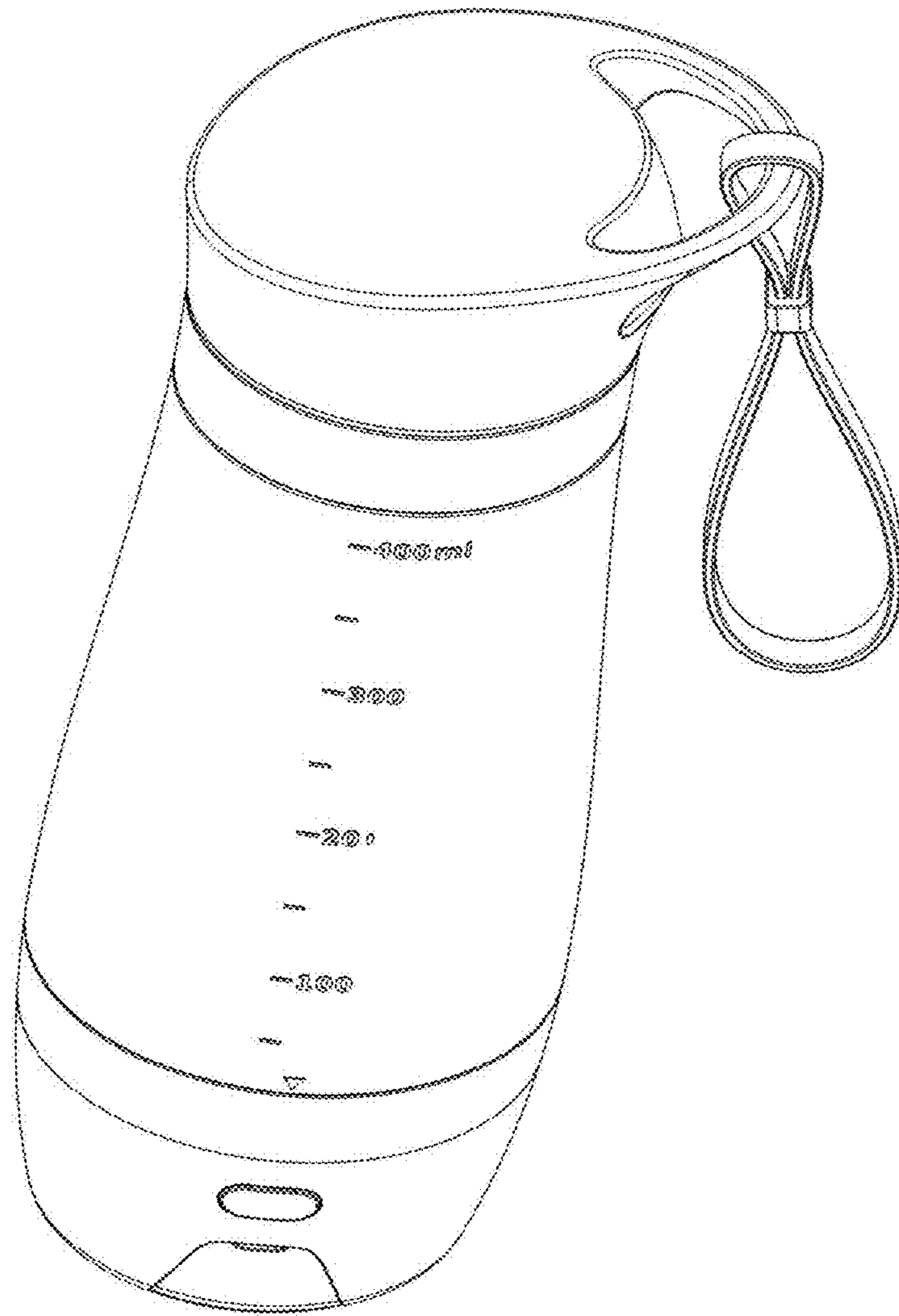


Figure 1

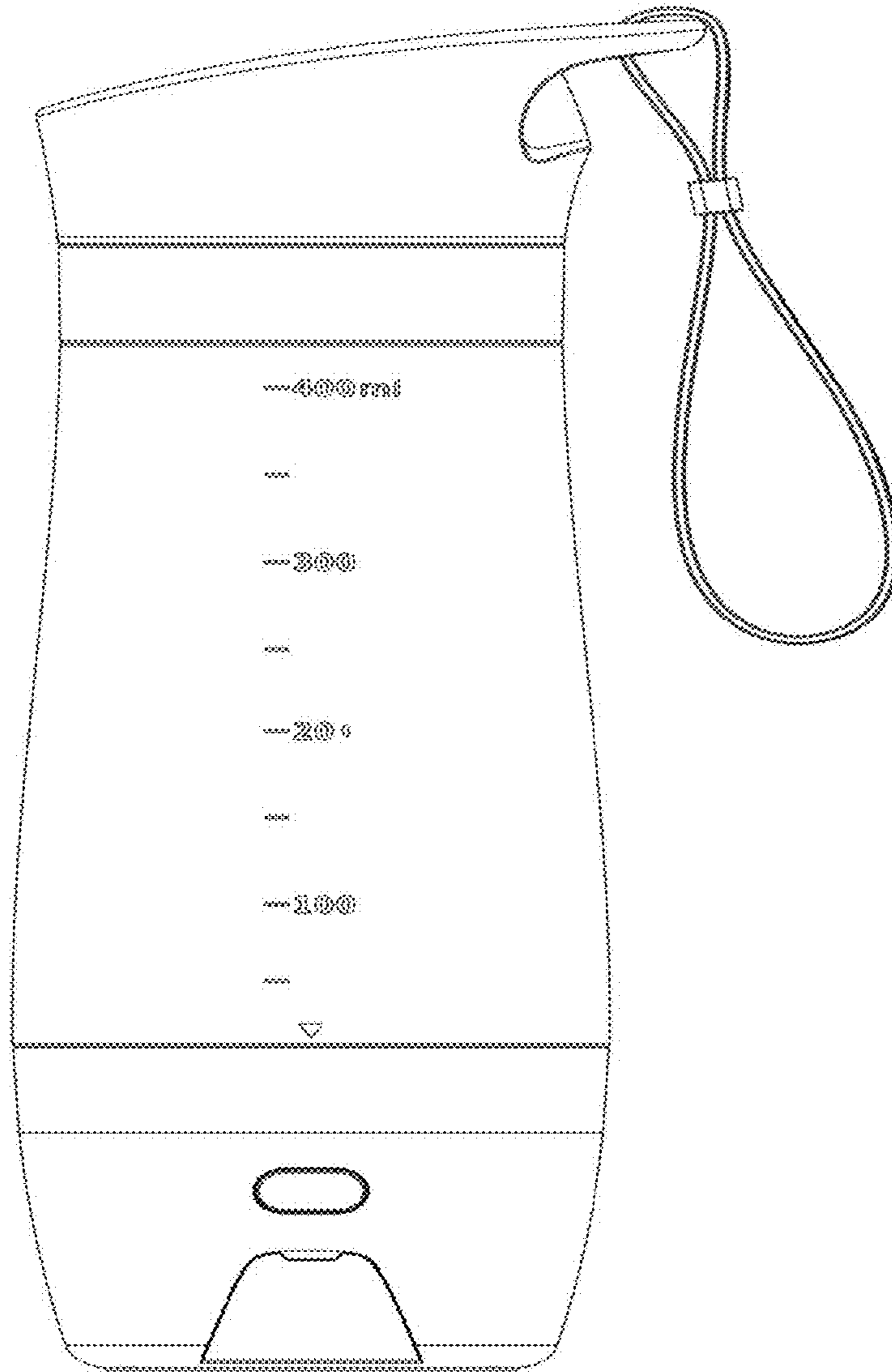


Figure 2

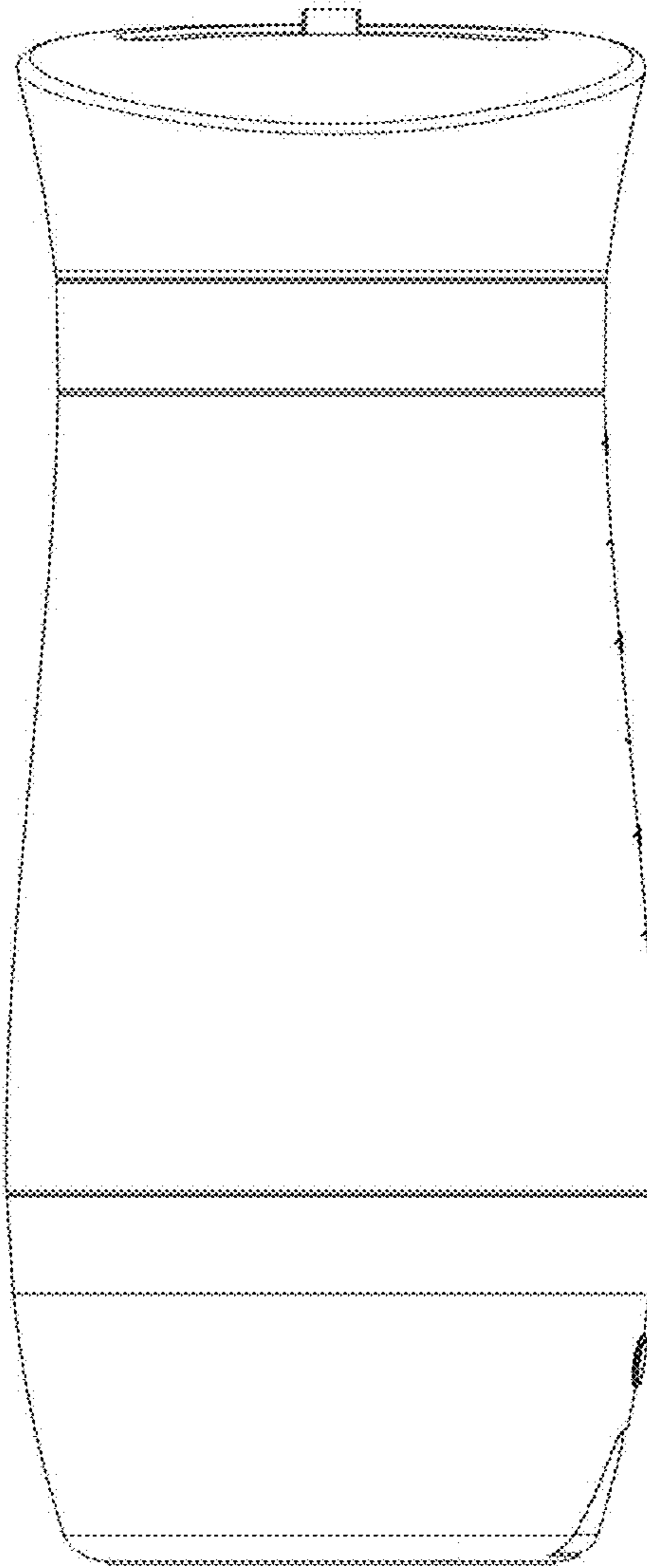


Figure 3

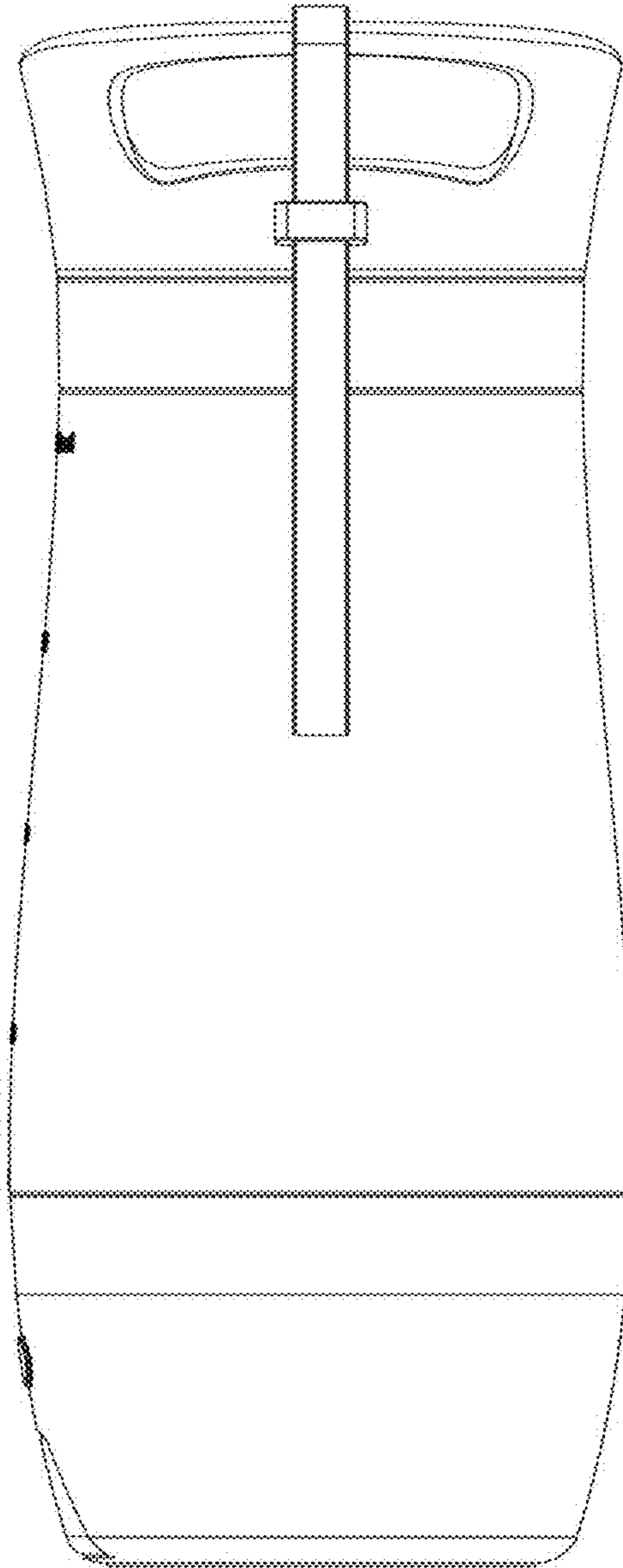


Figure 4



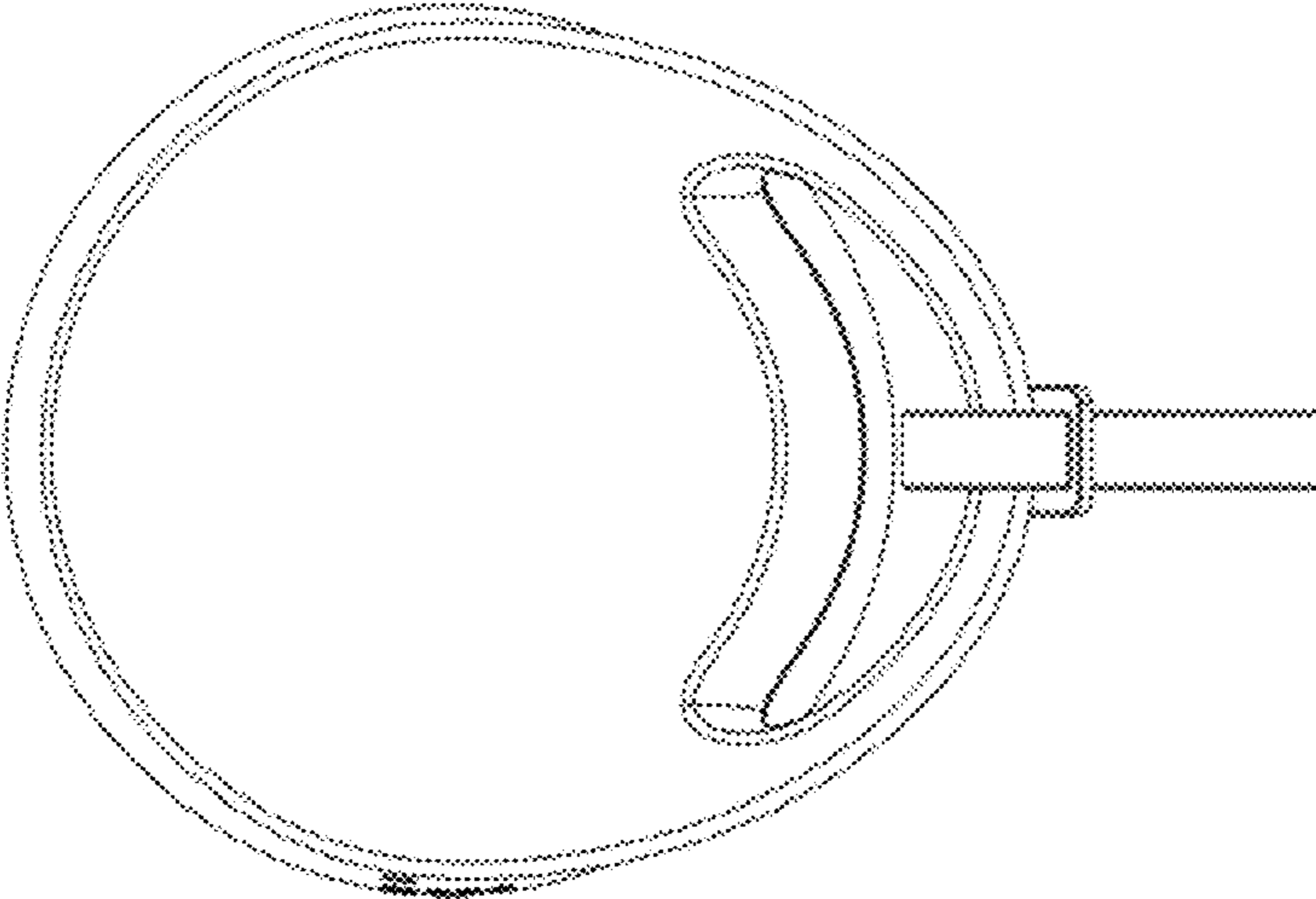


Figure 5

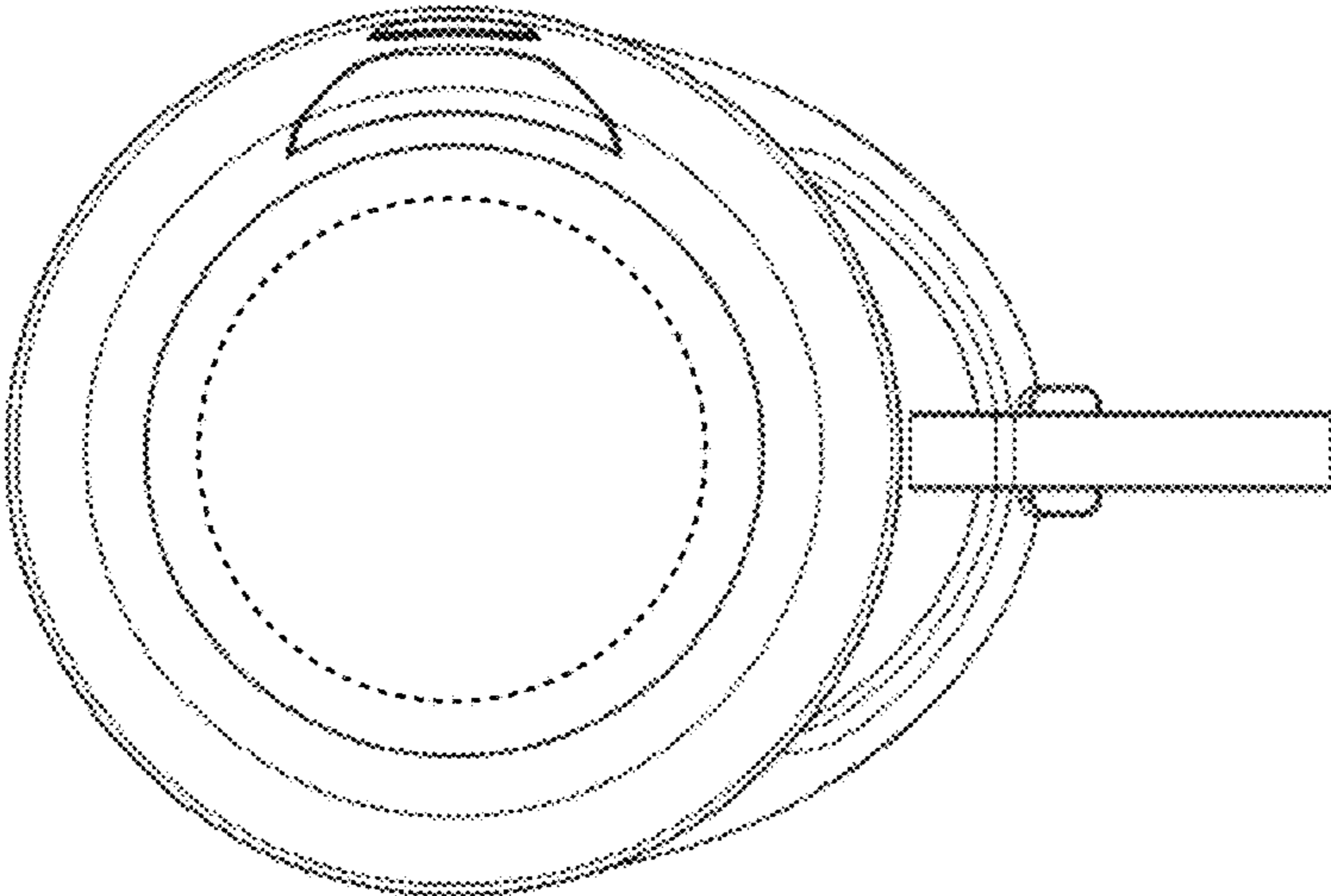


Figure 6