



US00D842038S

(12) **United States Design Patent**
Seiders et al.

(10) **Patent No.:** **US D842,038 S**
(45) **Date of Patent:** **** *Mar. 5, 2019**

(54) **CUP**

(71) Applicant: **YETI Coolers, LLC**, Austin, TX (US)

(72) Inventors: **Roy Joseph Seiders**, Austin, TX (US);
John Alan Tolman, Austin, TX (US);
Steve Charles Nichols, Austin, TX (US)

(73) Assignee: **YETI Coolers, LLC**, Austin, TX (US)

(*) Notice: This patent is subject to a terminal disclaimer.

(**) Term: **15 Years**

(21) Appl. No.: **29/568,928**

(22) Filed: **Jun. 22, 2016**

(51) **LOC (11) Cl.** **07-01**

(52) **U.S. Cl.**
USPC **D7/510; D7/511; D7/532**

(58) **Field of Classification Search**
USPC D7/507, 509, 510, 511, 523, 527, 529,
D7/531, 532, 533, 534, 535, 536, 608,
D7/300, 300.1, 300.2, 552.1, 319, 393,
D7/394, 387, 391, 392.1, 396.2; D34/39;
D9/503, 907, 531, 435, 436, 454, 449,
D9/443; 220/592.16, 592.17, 495.03,
220/705-710

CPC A47G 19/22; A47G 19/2205; A47G
19/2222; A45F 3/16; A45F 3/20; B67D
7/06; B67D 1/0004; B65D 25/14

See application file for complete search history.

(56) **References Cited**

U.S. PATENT DOCUMENTS

D2,440 S 9/1866 Matthews, Jr.
604,514 A 5/1898 Belden
899,290 A 9/1908 Bricker et al.
D47,798 S 1/1915 Pick

(Continued)

FOREIGN PATENT DOCUMENTS

CN 3606899 2/2007
CN 202104668 U 1/2012

(Continued)

OTHER PUBLICATIONS

United States District Court Western District of Texas Austin Division, "Defendant Kelly Scoggins d/b/a King Engraving's Memorandum in Support of Rule 12(b)(6) Motion to Dismiss and Motion to Take Judicial Notice," *YETI Coolers, LLC v. JDS Industries, Inc., Lionel Landry Jr., d/b/a Accolades d/b/a Accolades Awards & Engraving, Creative and Fast LLC d/b/a Promotional Products San Antonio, Kelly Scoggins d/b/a King Engraving*, Case: 1:17-cv-00424-RP, Document #65, filed Aug. 11, 2017, 28 pages.

(Continued)

Primary Examiner — Marianne N Pandozzi

Assistant Examiner — Jae Liang

(74) *Attorney, Agent, or Firm* — Banner & Witcoff, Ltd.

(57) **CLAIM**

The ornamental design for a cup, as shown and described.

DESCRIPTION

FIG. 1 is a top, front, right perspective view of a cup showing our new design;

FIG. 2 is a front view thereof;

FIG. 3 is a rear view thereof;

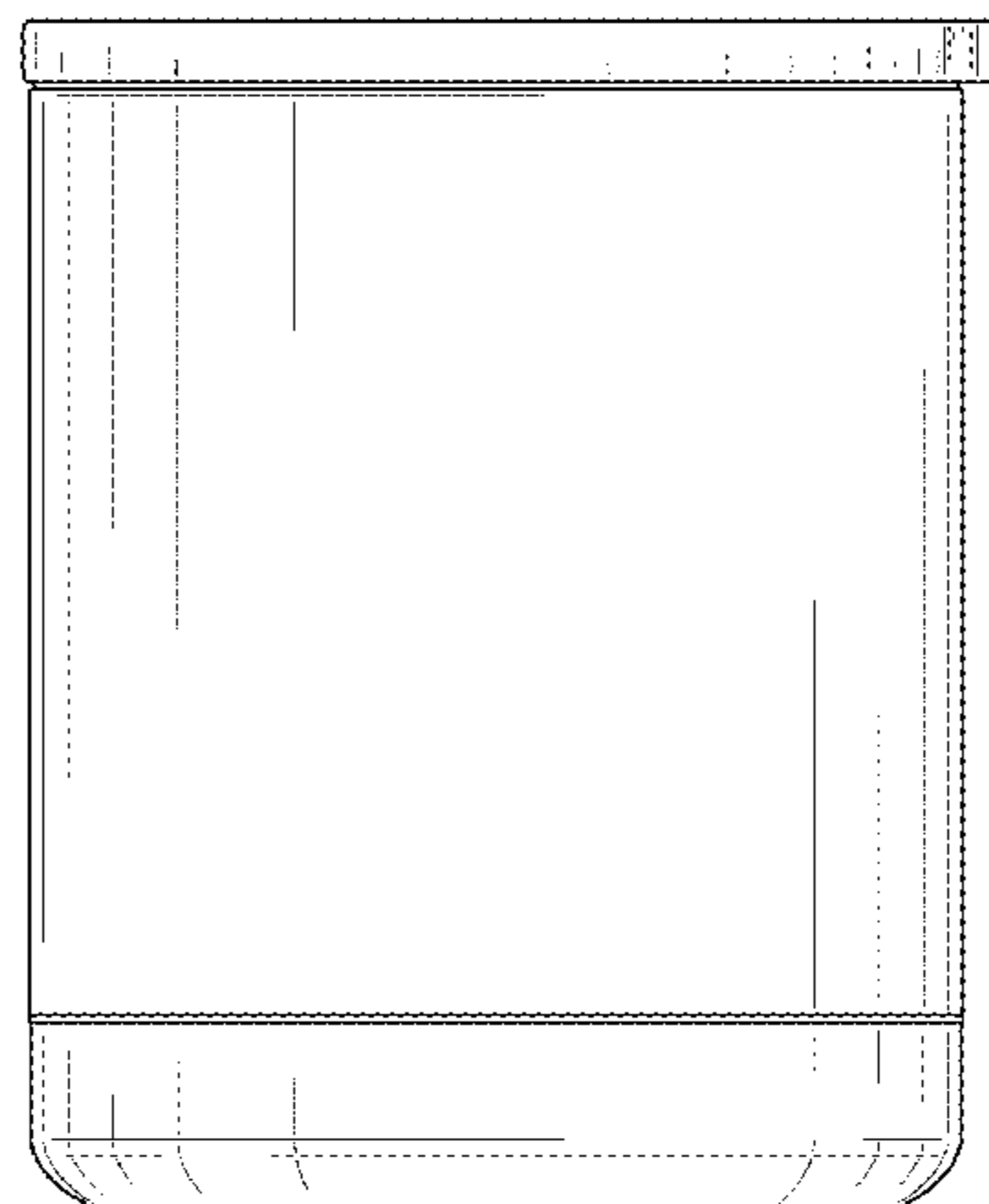
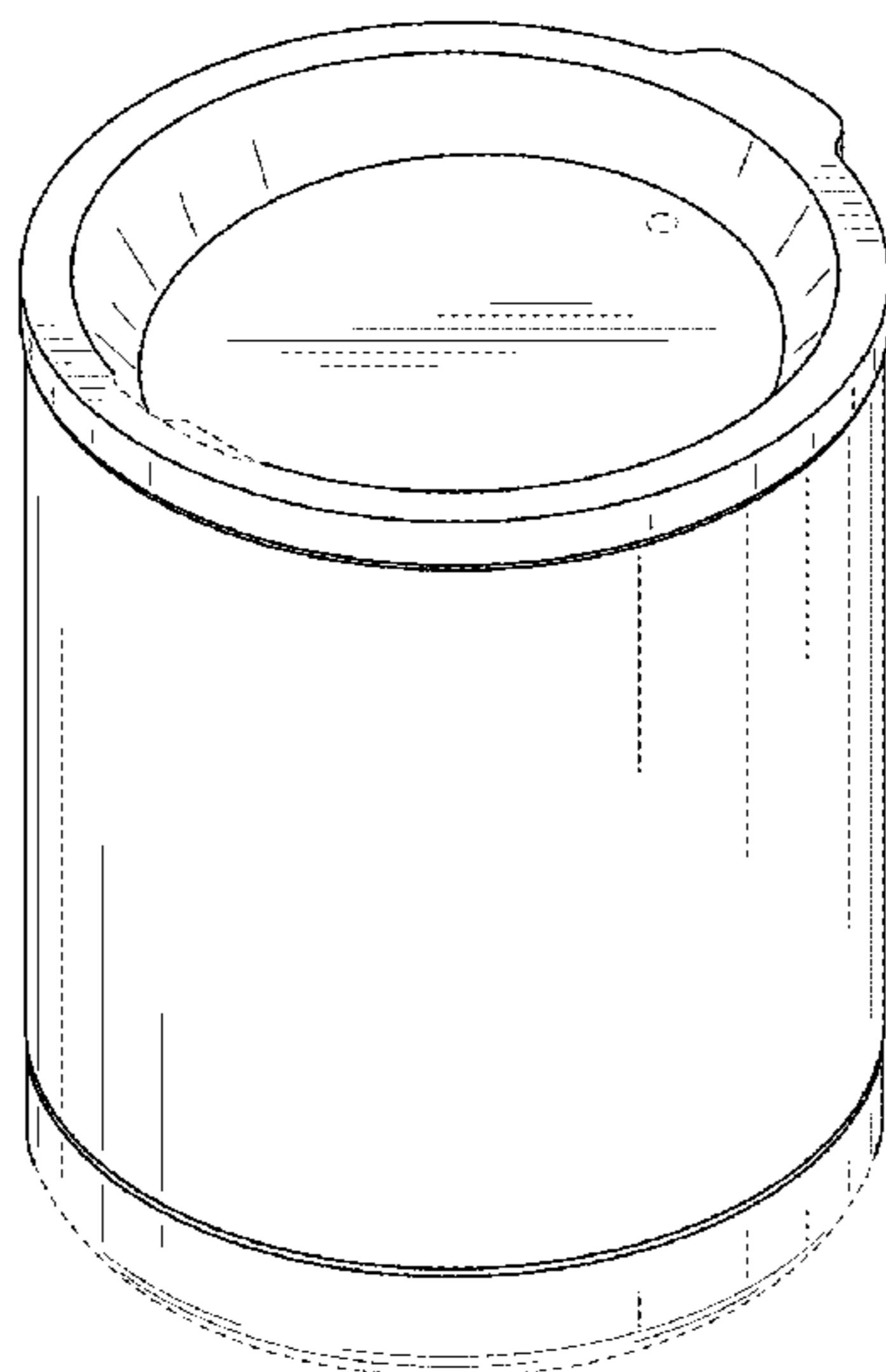
FIG. 4 is a right side view thereof;

FIG. 5 is a left side view thereof; and,

FIG. 6 is a top view thereof.

The broken lines immediately adjacent to the shaded area represent unclaimed boundaries of the design. The broken lines showing the remainder of the cup are for environmental purposes only and form no part of the claimed design.

1 Claim, 3 Drawing Sheets



(56)

References Cited

U.S. PATENT DOCUMENTS

1,133,420 A	3/1915	Young		4,720,023 A	1/1988	Jeff	
2,029,429 A	2/1936	Koons		4,746,028 A	5/1988	Bagg	
2,070,414 A	2/1937	Snell		D298,200 S	10/1988	Block et al.	
D105,373 S	7/1937	Connor		4,798,063 A	1/1989	Rimmer	
2,088,387 A	7/1937	Rice, Jr. et al.		D300,495 S	4/1989	Minuti	
2,128,466 A	8/1938	Machotka		D301,821 S	6/1989	Bartolo	
2,215,402 A	9/1940	McDonald		4,848,625 A	7/1989	Lucia	
2,215,691 A	9/1940	East		4,953,743 A *	9/1990	Dart	B65D 43/0208
2,378,867 A	6/1945	Reichart					220/369
2,484,608 A	10/1949	Cheyney		D312,044 S *	11/1990	Davis	D9/438
D177,559 S	5/1956	Emmert		4,993,675 A	2/1991	Walker	
2,871,051 A	1/1959	Nesslein et al.		D318,428 S	7/1991	Kowk	
D186,555 S	11/1959	Hunt		D322,753 S	12/1991	Sussman	
2,928,570 A	3/1960	Fitch		D324,281 S	2/1992	Brussing	
2,981,562 A	4/1961	Long		D324,976 S	3/1992	Katz	
3,128,029 A	4/1964	Price		D327,093 S	6/1992	Evenson	
3,202,309 A	8/1965	Simpson		D334,869 S	4/1993	Mills	
3,206,210 A	9/1965	Bard		D337,029 S	7/1993	McKechnie	
3,261,633 A	7/1966	Sakuta		5,249,703 A	10/1993	Karp	
3,342,370 A	9/1967	Johnson		D345,676 S	4/1994	Biffle	
D209,308 S	11/1967	Schilling		D352,210 S	11/1994	Cousins et al.	
3,353,729 A	11/1967	Hull		5,390,804 A	2/1995	Beggins	
D209,533 S	12/1967	Cole		5,398,842 A	3/1995	Sokolski et al.	
D211,818 S	7/1968	Massey		5,400,907 A	3/1995	Chen	
3,421,681 A *	1/1969	Frank	B65D 43/0268 215/254	D357,387 S	4/1995	Davidson et al.	
				D358,531 S *	5/1995	Cousins	D7/612
				5,427,269 A	6/1995	Willbrandt	
				D360,133 S *	7/1995	Boller	D9/447
				5,433,337 A	7/1995	Willbrandt	
				D363,642 S	10/1995	Goto et al.	
				5,467,891 A	11/1995	Perry	
3,458,164 A	7/1969	Massey		D366,186 S	1/1996	Kato	
3,463,140 A	8/1969	Rollor		D368,830 S	4/1996	Lu	
D217,781 S	6/1970	Stone		D370,300 S	5/1996	Gottvald et al.	
3,571,940 A	3/1971	Bender		5,531,353 A	7/1996	Ward et al.	
3,578,524 A	5/1971	Ignell		D372,839 S	8/1996	Laib	
3,603,106 A	9/1971	Ryan et al.		D375,870 S	11/1996	Stonehouse	
3,679,253 A	7/1972	Simms		5,573,141 A	11/1996	Chen	
3,682,352 A	8/1972	Doucette		D377,741 S	2/1997	Bennett et al.	
3,730,383 A	5/1973	Dunn et al.		D379,738 S	6/1997	Liming et al.	
3,753,512 A *	8/1973	Curry	B65D 43/0218 220/260	D382,174 S	8/1997	Grimm	
				5,655,805 A	8/1997	Shaddy	
				D384,557 S	10/1997	Goza	
				D386,948 S	12/1997	Wissinger	
				D395,200 S	6/1998	Bidwell	
				D395,238 S	6/1998	Freitas	
				5,769,262 A	6/1998	Yamada et al.	
				D395,825 S	7/1998	Freitas	
				D396,381 S	7/1998	Chung	
				D396,605 S	8/1998	Benson	
				5,788,298 A	8/1998	Cheng	
				5,799,369 A	9/1998	Schulein	
				D399,099 S *	10/1998	Cousins	D7/615
				5,816,631 A	10/1998	Kochan	
				5,820,016 A *	10/1998	Stropkay	B65D 1/265 206/459.5
				D402,766 S	12/1998	Smith et al.	
				5,848,722 A	12/1998	Hanes	
				D404,974 S	2/1999	Kristinik	
				D405,609 S	2/1999	Fu et al.	
				5,868,310 A	2/1999	Leszczynski	
				D408,689 S	4/1999	Kato	
				D412,806 S	8/1999	Pierce	
				D415,651 S *	10/1999	Trombly	D7/391
				D416,444 S	11/1999	Jørgensen	
				D416,757 S	11/1999	Ginuntoli	
				D417,589 S	12/1999	Parker	
				D417,590 S	12/1999	Kato	
				D417,593 S	12/1999	Ruegg	
				D417,819 S *	12/1999	Kelly-Pollet	D7/510
				D418,013 S *	12/1999	Fujii	D7/510
				6,050,443 A	4/2000	Tung	
				6,065,609 A	5/2000	Lake	
				6,065,632 A	5/2000	Moore, Jr.	
				D427,853 S *	7/2000	Kohlhase	D7/510
				6,085,931 A	7/2000	Sadow	
				D429,607 S	8/2000	Prim	
				6,094,935 A	8/2000	Stein	
				6,102,458 A	8/2000	Scace	
D286,967 S	12/1986	Appel					
D288,766 S	3/1987	Tardif					
4,654,274 A	3/1987	DeMars					
D289,143 S	4/1987	Guillaume					
D289,484 S	4/1987	Forquer et al.					
4,715,633 A	12/1987	Brink et al.					

(56)

References Cited

U.S. PATENT DOCUMENTS

6,135,312	A	10/2000	Chen et al.	7,207,538	B2	4/2007	Kent-Fawkes	
D433,599	S	11/2000	Kristiansen et al.	D547,611	S *	7/2007	Seum	D7/510
D433,876	S	11/2000	Freed	D548,012	S	8/2007	Tien	
6,149,028	A	11/2000	Yu	D552,932	S	10/2007	Carlson	
6,161,720	A	12/2000	Castle	D553,440	S	10/2007	Bodum	
D436,295	S	1/2001	Furman et al.	7,284,777	B1	10/2007	Kraemer	
D437,187	S	2/2001	Cheng	D556,509	S *	12/2007	Bonini	D7/507
6,216,909	B1	4/2001	Lin	D557,567	S	12/2007	Gronikowski et al.	
D441,288	S *	5/2001	Pillers	D561,590	S	2/2008	Kingsley	
D442,833	S	5/2001	Shuman	D562,072	S	2/2008	Wahl	
6,237,801	B1	5/2001	Liu	D564,356	S *	3/2008	Nickleberry	D9/454
6,241,415	B1	6/2001	Stark	D565,901	S	4/2008	Edelstein et al.	
D445,687	S *	7/2001	Gilbertson	D566,471	S	4/2008	Bodum	
6,260,732	B1	7/2001	Khodush	D568,685	S	5/2008	Bodum	
D446,687	S	8/2001	Furman et al.	D569,183	S	5/2008	Blake	
6,332,557	B1	12/2001	Moran	H2217	H	6/2008	Smay et al.	
6,352,168	B1	3/2002	Lin	D570,213	S *	6/2008	Newman	D9/447
6,352,235	B2	3/2002	Cizek	D572,136	S	7/2008	Boni	
6,360,913	B1	3/2002	Bruinsma et al.	D573,390	S	7/2008	Ablo	
D455,052	S	4/2002	Gullickson et al.	D577,260	S	9/2008	Bodum	
D455,610	S	4/2002	Bridges	D585,245	S	1/2009	Brouillette	
D455,612	S	4/2002	Gullickson et al.	D587,523	S	3/2009	Moon	
D455,613	S	4/2002	Bruinsma et al.	D587,967	S	3/2009	Wahl	
D456,578	S	4/2002	Smith et al.	D588,912	S	3/2009	Christensen et al.	
D457,245	S	5/2002	Royal et al.	D592,015	S	5/2009	Carpenter	
D457,389	S	5/2002	Snell	D592,056	S *	5/2009	Tedford, Jr.	D9/447
6,392,206	B1	5/2002	Von Arx et al.	D592,058	S	5/2009	Rapaport	
D458,081	S	6/2002	Bodum	7,527,310	B2	5/2009	Shaskey, Sr.	
D460,895	S	7/2002	Lin	D593,372	S	6/2009	Carreno	
D462,879	S	9/2002	Martens	D593,811	S	6/2009	Carreno	
6,450,363	B1	9/2002	Lin	D593,859	S	6/2009	Barnum	
D463,715	S	10/2002	Dretzka	D594,687	S	6/2009	Bodum	
D465,132	S *	11/2002	Janky	D595,133	S	6/2009	Lewis	
D466,371	S *	12/2002	Parker	D598,747	S	8/2009	Caldwell	
D466,814	S	12/2002	Hurlburt	D600,073	S	9/2009	Carreno	
D470,724	S	2/2003	Basara	7,581,704	B1	9/2009	Pugsley	
D471,064	S	3/2003	Renz	7,581,770	B2	9/2009	Jones	
D471,763	S	3/2003	Hurlbut et al.	7,604,270	B1	10/2009	McCarthy	
D472,101	S	3/2003	Janky	D608,133	S	1/2010	Choi	
D472,145	S *	3/2003	Nottingham	D609,534	S	2/2010	Traficante et al.	
D474,651	S	5/2003	Ward	D610,006	S *	2/2010	Ortell	D9/454
6,557,751	B2	5/2003	Puerini	D610,176	S	2/2010	Nagamine et al.	
D476,193	S	6/2003	Janky	7,686,183	B2	3/2010	Ziegler	
D476,528	S	7/2003	Janky et al.	D613,554	S	4/2010	Koennecke	
D477,185	S	7/2003	Janky	D615,366	S	5/2010	Berezansky	
6,588,064	B2	7/2003	Baum	D615,817	S	5/2010	George	
6,626,326	B2	9/2003	Murakami	D616,248	S	5/2010	George	
D483,165	S	12/2003	Dretzka	D617,608	S	6/2010	Yang et al.	
D483,610	S	12/2003	Kerman	D617,640	S	6/2010	Jones	
D483,995	S	12/2003	Otake	D618,964	S	7/2010	Eisenhardt	
D484,361	S	12/2003	Jeung	D621,667	S *	8/2010	Ablo	D7/629
6,658,701	B1	12/2003	DeHart et al.	D622,548	S	8/2010	Jensen et al.	
D488,673	S	4/2004	Farce	D622,554	S	8/2010	Carreno	
D489,574	S	5/2004	Copeland	D626,414	S	11/2010	Cresswell et al.	
D490,274	S	5/2004	Irvine	D627,192	S *	11/2010	Gilbert	D7/392.1
6,729,665	B1	5/2004	Posey et al.	D629,657	S	12/2010	Carreno	
D493,068	S	7/2004	Slater et al.	D629,691	S	12/2010	Cresswell et al.	
D493,332	S *	7/2004	Bin	D631,699	S	2/2011	Moreau	
D497,778	S	11/2004	Rich	D635,400	S	4/2011	Snyder	
D502,050	S *	2/2005	Munson	D636,640	S	4/2011	Latham	
6,864,462	B2	3/2005	Sanoner et al.	D641,591	S	7/2011	Tsukida	
D507,155	S *	7/2005	Gosen	D643,289	S	8/2011	Harlan	
6,962,265	B1	11/2005	Zhang	D648,599	S	11/2011	Watanabe et al.	
D512,272	S	12/2005	Avrish	D652,256	S	1/2012	Eyal	
D512,275	S	12/2005	Kent-Fawkes	D653,082	S	1/2012	George	
6,979,031	B2	12/2005	Coppotelli et al.	D655,134	S	3/2012	Gilbert	
D524,607	S	7/2006	Kent-Fawkes	D656,361	S	3/2012	Gilbert	
D527,222	S	8/2006	Liu	D657,670	S *	4/2012	Folos	D9/447
D530,852	S	10/2006	Zheng	D658,922	S	5/2012	Fallon et al.	
D533,748	S	12/2006	Bresler	D659,474	S	5/2012	Wahl et al.	
D534,396	S	1/2007	Kramer	D660,082	S	5/2012	Wahl	
D537,676	S	3/2007	Kingsley	D660,084	S	5/2012	Gilbert	
D537,677	S	3/2007	Bresler	D660,655	S	5/2012	Wahl et al.	
7,195,137	B2	3/2007	Belcastro	D663,169	S	7/2012	Beggins et al.	
D540,124	S	4/2007	Ross	D664,001	S	7/2012	Liu	
				8,225,957	B1	7/2012	Volan	
				D665,491	S	8/2012	Goel et al.	
				D666,061	S	8/2012	Ying	
				8,251,247	B1	8/2012	Breckner	

(56)

References Cited

U.S. PATENT DOCUMENTS

D669,735 S 10/2012 Wong
 D670,525 S 11/2012 Fallon et al.
 D675,063 S 1/2013 Wahl
 D675,066 S 1/2013 Conlin et al.
 D675,100 S 1/2013 Herbst
 8,364,542 B2 1/2013 Grauel et al.
 D676,746 S * 2/2013 Shaffer D9/443
 D679,949 S 4/2013 Meritt
 D679,960 S 4/2013 Hopkins et al.
 D680,375 S 4/2013 Pousard et al.
 D680,387 S 4/2013 Hopkins et al.
 D682,625 S 5/2013 Lane
 D682,626 S 5/2013 Lane
 D684,459 S 6/2013 Stowe et al.
 D685,231 S 7/2013 Lane
 8,499,951 B1 8/2013 McDonald et al.
 D691,847 S * 10/2013 Beckman D7/392.1
 D693,176 S 11/2013 Kaiser
 D693,649 S 11/2013 Yeung
 D694,112 S 11/2013 Brown
 D695,138 S 12/2013 Ball
 8,608,019 B2 12/2013 Wren
 D698,200 S 1/2014 Lauwagie
 D699,595 S * 2/2014 Farrow D9/772
 8,684,430 B1 4/2014 Brandon
 D705,012 S 5/2014 Lapsker
 D709,737 S 7/2014 Weinert et al.
 D709,738 S 7/2014 Weinert et al.
 D710,155 S 8/2014 Tatsukawa
 D710,698 S * 8/2014 Giraud D7/396.2
 D711,684 S 8/2014 Perdomo
 D712,701 S 9/2014 Boroski
 D713,686 S 9/2014 Eyal
 D715,100 S * 10/2014 Eyal D7/510
 D715,101 S 10/2014 Grcic
 D717,605 S 11/2014 Kristinik
 D717,606 S 11/2014 Kristinik
 D719,785 S 12/2014 Grcic
 D719,788 S 12/2014 Soltz et al.
 D720,187 S 12/2014 Romley
 8,899,644 B2 12/2014 Hancey
 8,919,603 B2 12/2014 Greene
 D721,250 S 1/2015 Chen et al.
 D721,546 S 1/2015 Davidson
 D724,385 S 3/2015 Hurley et al.
 D727,688 S 4/2015 Hewitt et al.
 D728,311 S 5/2015 Eyal
 D728,314 S 5/2015 Carstensen et al.
 D729,581 S 5/2015 Boroski
 9,021,662 B1 5/2015 Jones
 9,038,850 B1 5/2015 Wilson
 D731,240 S * 6/2015 Bell D7/300.2
 D731,241 S * 6/2015 Yessin D7/392.1
 D731,251 S 6/2015 Lane
 D732,338 S 6/2015 Boroski
 D732,343 S 6/2015 Romley
 D732,347 S 6/2015 Katterheinrich et al.
 D734,096 S 7/2015 George et al.
 D740,073 S 10/2015 Zorovich et al.
 D740,077 S 10/2015 Strepkoff
 D740,618 S 10/2015 Knoll
 D742,743 S * 11/2015 Thurin D9/443
 D743,207 S 11/2015 Pendleton et al.
 D747,929 S 1/2016 Arseneau et al.
 D751,341 S * 3/2016 Seiders D7/396.2
 D752,397 S 3/2016 Seiders et al.
 D754,536 S 4/2016 Arriaga
 D759,483 S * 6/2016 Jalet D9/443
 D764,870 S 8/2016 Choi
 D766,661 S 9/2016 Bodum
 D773,250 S 12/2016 Miller
 D779,285 S 2/2017 Seiders et al.
 D779,891 S 2/2017 Seiders et al.
 D779,892 S 2/2017 Seiders et al.
 D780,527 S 3/2017 Salama

D780,530 S 3/2017 Seiders et al.
 D780,531 S 3/2017 Seiders et al.
 D780,532 S 3/2017 Seiders et al.
 D780,533 S 3/2017 Seiders et al.
 D784,137 S 4/2017 Cates
 D786,023 S 5/2017 Polack et al.
 D786,025 S 5/2017 Seiders et al.
 D786,673 S * 5/2017 Moffat D7/392.1
 D787,893 S 5/2017 Seiders et al.
 D790,272 S * 6/2017 Han D7/396.2
 D791,543 S * 7/2017 Mulhauser D7/510
 D793,172 S 8/2017 Medina
 D795,007 S * 8/2017 Plassmeyer D7/392.1
 D795,643 S * 8/2017 Barlow D7/510
 D797,510 S * 9/2017 Ke D7/510
 D798,112 S * 9/2017 Godsey D7/510
 D799,906 S 10/2017 Seiders et al.
 D801,753 S 11/2017 Piper et al.
 D803,001 S 11/2017 Bodum
 D804,556 S 12/2017 Harada et al.
 D807,125 S 1/2018 Seiders et al.
 D808,733 S 1/2018 Spivey et al.
 2002/0066758 A1 6/2002 Fadal et al.
 2004/0080930 A1 4/2004 Winters et al.
 2004/0187265 A1 9/2004 Ho
 2005/0218109 A1 10/2005 Semersky et al.
 2006/0175506 A1 8/2006 Lan
 2007/0114236 A1 * 5/2007 Shiffer B65D 43/0212
 220/782
 2007/0295738 A1 12/2007 Hussain
 2008/0012368 A1 1/2008 Kent-Fawkes
 2008/0023434 A1 1/2008 Takayama
 2008/0101056 A1 5/2008 Bhavnani
 2008/0237242 A1 * 10/2008 Gifford A47G 23/0216
 220/592.16
 2009/0008399 A1 1/2009 Mayled et al.
 2009/0065469 A1 3/2009 McClellan et al.
 2009/0200322 A1 8/2009 Hunter
 2011/0204017 A1 8/2011 O'Sullivan
 2011/0233219 A1 9/2011 Proskey
 2012/0074155 A1 3/2012 Yeung
 2012/0261408 A1 10/2012 White
 2013/0098932 A1 4/2013 Hunt
 2013/0186849 A1 7/2013 Iwashita
 2015/0041480 A1 2/2015 Ramsey
 2015/0108150 A1 4/2015 Garcia
 2015/0108152 A1 4/2015 Franzen et al.
 2015/0164256 A1 6/2015 Helton
 2015/0291316 A1 10/2015 Fietz
 2016/0318692 A1 11/2016 Wilson

FOREIGN PATENT DOCUMENTS

CN 202891397U U 4/2013
 CN 303263048 7/2015
 EM 000564778-0001 8/2006
 EM 001360911-0001 3/2013
 EM 004374155-0003 9/2017
 GB 3024951 7/2006
 IN 250749-0001 8/2013
 JP 1219538 10/2004
 JP 1288694 12/2006
 JP 1302290 6/2007
 JP 1370441 10/2009
 JP 1483261 11/2013
 JP 1546179 S 3/2016
 JP D2016-4373 11/2017
 KR 300840850 2/2016
 WO 062614 A1 8/2001
 WO 2006048119 A1 5/2006
 WO 2011022857 A2 3/2011
 WO 2012064184 A1 5/2012
 WO 2013163725 A1 11/2013

OTHER PUBLICATIONS

United States District Court Western District of Texas Austin
 Division, "Defendant Kelly Scoggins d/b/a King Engraving's Reply

(56)

References Cited

OTHER PUBLICATIONS

in Support of Rule 12(b)(6) Motion to Dismiss,” *YETI Coolers, LLC v. JDS Industries, Inc., Lionel Landry Jr., d/b/a Accolades d/b/a Accolades Awards & Engraving, Creative and Fast LLC d/b/a Promotional Products San Antonio, Kelly Scoggins d/b/a King Engraving*, Case: 1:17-cv-00424-RP, Document #75, filed Sep. 1, 2017, 26 pages.

United States District Court Western District of Texas Austin Division, “Second Amended Complaint,” *YETI Coolers, LLC v. Sam’s West, Inc., and Sam’s East, Inc., and CY Top, Ltd.*, Case: 1:16-cv-00829-RP, Document #51, filed Sep. 22, 2017, 49 pages.

United States District Court Western District of Texas Austin Division, “Complaint,” *YETI Coolers, LLC v. Bonanza.com, Inc.*, Case: 1:17-cv-00935, Document #1, filed Sep. 28, 2017, 142 pages.

United States District Court Western District of Texas Austin Division, “Complaint,” *YETI Coolers, LLC v. Alibaba Group Holding Limited, Alibaba (China) Technology Co., Ltd., Alibaba.com Hong Kong Limited, Alibaba.com Singapore E-Commerce Private Limited, Hangzhou Alibaba Advertising Co. Ltd., and Huizhou Dashu Trading Co., Ltd.*, case: 1:17-cv-00936, Document #1, filed Sep. 28, 2017, 272 pages.

United States District Court Western District of Texas Austin Division, “Complaint,” *YETI Coolers, LLC v. ContextLogic, Inc. d/b/a Wish.com*, Case: 1:17-cv-00937, Document #1, filed Sep. 28, 2017, 238 pages.

United States District Court Western District of Texas Austin Division, “Complaint,” *YETI Coolers, LLC v. Dunhuang Group, SZ Flowerfairy Technology Co., Ltd., Tan Er Pa Technology Co., Ltd., Shenzhen Great Electronic Technology Co., Ltd. and Huagong Trading Co.*, Case: 1:17-cv-00938, Document #1, filed Sep. 28, 2017, 272 pages.

Snow Peak H860, posted by copperbrier at YouTube.com [online], posted on Nov. 13, 2013. Available on the Internet, <URL: <https://youtu.be/rotGINYY6ms>>.

Snow Peak 450ml, posted by keegansreviews at YouTube.com [online], posted on Jun. 5, 2015. Available on the Internet, <URL: <https://youtu.be/S9dSBijmxsM>>.

“Snow Peak Detail Specs”, published earlier than Jan. 6, 2014, retrieved from <<http://global.rakuten.com/en/store/mitsuyoshi/item/tw-137-snowpeak/>> on May 22, 2017.

United States District Court Western District of Texas Austin Division, “Complaint,” *YETI Coolers, LLC v. Wadley Holdings, LLC d/b/a Meadowcraft, and Southern Sales & Marketing Group, Inc. d/b/a nICE*, Case 1:17-cv-00421, Document 1, filed May 5, 2017, 121 pages.

United States District Court Western District of Texas Austin Division, “Complaint,” *YETI Coolers, LLC v. JDS Industries, Inc., Lionel Laundry Jr., d/b/a Accolades Awards & Engraving, Creating and Fast LLC d/b/a Promotional Products San Antonio, Kelly Scoggins d/b/a King Engraving, Jamey Z. Apps d/b/a Roberts Trophies, and Eagle Media, Inc.*, Case 1:17-cv-00424, Document 1, filed May 5, 2017, 62 pages.

United States District Court Western District of Texas Austin Division, “Complaint,” *YETI Coolers, LLC v. Glacier Coolers, LLC, and Tecomate Holdings, LLC*, Case 1:17-cv-00586, Document 1, filed Jun. 15, 2017, 161 pages.

United States District Court Western District of Texas Austin Division, “Complaint,” *YETI Coolers, LLC v. Gametime Sidekicks, LLC*, Case 1:17-cv-00413, Document 1, filed May 5, 2017, 107 pages.

United States District Court Western District of Texas Austin Division, “Complaint,” *YETI Coolers, LLC v. Kodiak Coolers, LLC and Flexible Automation LLC*, Case 1:17-cv-00422, Document 1, filed May 5, 2017, 51 pages.

United States District Court Western District of Texas Austin Division, “Complaint,” *YETI Coolers, LLC v. Gourmet Home Products, LLC*, Case: 1:17-cv-00533, Document #1, filed Jun. 2, 2017, 25 pages.

United States District Court Western District of Texas Austin Division, “Complaint,” *YETI Coolers, LLC v. Godinger Silver Art, Ltd., Cathy’s Concepts, Inc., Viatek Consumer Products Group, Inc.*, Case: 1:17-cv-00467, Document #1, filed May 16, 2017, 22 pages.

United States District Court Western District of Texas Austin Division, “Complaint,” *YETI Coolers, LLC v. Bayou Ice Boxes, Inc.*, Case: 1:17-cv-00261, Document #1, filed Mar. 24, 2017, 41 pages.

United States District Court Western District of Texas Austin Division, “Complaint,” *YETI Coolers, LLC v. Vickery Products, LLC d/b/a Axis Cups, f/d/b/a Frio Cups*, Case: 1:17-cv-00260, Document #1, filed Mar. 24, 2017, 52 pages.

United States District Court Western District of Texas Austin Division, “Complaint,” *YETI Coolers, LLC v. Benner China and Glassware Florida, Inc.*, Case: 1:16-cv-00142-RP, Document #1, filed Feb. 16, 2016, 21 pages.

United States District Court Western District of Texas Austin Division, “Complaint,” *YETI Coolers, LLC v. Blackbird Products Group, LLC, d/b/a Mammoth Coolers*, Case: 1:15-cv-01105, Document #1, filed Dec. 7, 2015, 266 pages.

United States District Court Western District of Texas Austin Division, “Defendant Blackbird Products Group, LLC’s Answer and Affirmative Defenses to Plaintiff YETI Coolers, LLC’s Complaint,” *YETI Coolers, LLC v. Blackbird Products Group, LLC, d/b/a Mammoth Coolers*, Case: 1:15-cv-01105-SS, Document #13, filed Dec. 28, 2015, 11 pages.

United States District Court Western District of Texas Austin Division, “Order,” *YETI Coolers, LLC v. Blackbird Products Group, LLC, d/b/a Mammoth Coolers*, Case: 1:15-cv-01105-RP, Document #26, filed Apr. 20, 2016, 1 page.

United States District Court Western District of Texas Austin Division, “Complaint,” *YETI Coolers, LLC v. The Boelter Companies, Inc., Boelter Brands, LLC and Boelter Beverage, LLC*, Case: 1:16-cv-00456, Document #1, filed Apr. 8, 2016, 20 pages.

United States District Court Western District of Texas Austin Division, “Defendants’ Answer to Complaint,” *YETI Coolers, LLC v. The Boelter Companies, Inc., Boelter Brands, LLC and Boelter Beverage, LLC*, Case: 1:16-cv-00456-RP, Document #21, filed Jun. 7, 2016, 9 pages.

United States District Court Western District of Texas Austin Division, “Consent Judgment,” *YETI Coolers, LLC v. The Boelter Companies, Inc., Boelter Brands, LLC and Boelter Beverage, LLC*, Case: 1:16-cv-00456-RP, Document #25, filed Sep. 13, 2016, 3 pages.

United States District Court Western District of Texas Austin Division, “Complaint,” *YETI Coolers, LLC v. Jennifer Laverne Bootz Evans d/b/a Bling and Burlap Buy In’s and Blanks*, Case: 1:15-cv-00995, Document #1, filed Nov. 2, 2015, 128 pages.

United States District Court Western District of Texas Austin Division, “Order,” *YETI Coolers, LLC v. Jennifer Laverne Bootz Evans d/b/a Bling and Burlap Buy In’s and Blanks*, Case: 1:15-cv-00995-RP, Document #18, filed Apr. 18, 2016, 1 page.

United States District Court Western District of Texas Austin Division, “Defendant Kaiser Group Inc.’s Answer, Affirmative Defenses, and Counterclaims to Plaintiff YETI Coolers, LLC’s Complaint,” *YETI Coolers, LLC v. Kaiser Group Inc., d/b/a Thermo Steel, d/b/a Vino2Go, d/b/a Brew2GO*, Case: 1:15-cv-00725-RP, Document #14, filed Oct. 13, 2015, 65 pages.

United States District Court Western District of Texas Austin Division, “Complaint,” *YETI Coolers, LLC v. Great American Products, Ltd.*, Case: 1:15-cv-00686, Document #1, filed Aug. 6, 2015, 20 pages.

United States District Court Western District of Texas Austin Division, “Order,” *YETI Coolers, LLC v. Great American Products, Ltd.*, Case: 1:15-cv-00686-RP, Document #25, filed Mar. 14, 2016, 1 page.

United States District Court Western District of Texas Austin Division, “Complaint,” *YETI Coolers, LLC v. Home Depot U.S.A., Inc., Takeya USA Corporation*, Case: 1:17-cv-00342, Document #1, filed Apr. 12, 2017, 24 pages.

(56)

References Cited

OTHER PUBLICATIONS

United States District Court Western District of Texas Austin Division, "Complaint," *YETI Coolers, LLC v. Ideastage Promotions, LLC, d/b/a Swag Brokers*, Case: 1:15-cv-00774, Document #1, filed Sep. 2, 2015, 22 pages.

United States District Court Western District of Texas Austin Division, "Order," *YETI Coolers, LLC v. Ideastage Promotions, LLC, d/b/a Swag Brokers*, Case: 1:15-cv-00774-RP, Document #19, filed Dec. 21, 2015, 1 page.

United States District Court Western District of Texas Austin Division, "Complaint," *YETI Coolers, LLC v. Imagen Brands, LLC, d/b/a Crown Products, and Ebsco Industries, Inc.*, Case: 1:16-cv-00578-RP, Document #1, filed May 16, 2016, 20 pages.

United States District Court Western District of Texas Austin Division, "Complaint," *YETI Coolers, LLC v. Kaiser Group Inc., d/b/a Thermo Steel, d/b/a Vino2GO, d/b/a Brew2Go*, Case: 1:15-cv-00725, Document #1, filed Aug. 19, 2015, 21 pages.

United States District Court Western District of Texas Austin Division, "Complaint," *YETI Coolers, LLC v. Kuer Outdoors, LLC*, Case: 1:16-cv-00631, Document #1, filed May 27, 2016, 89 pages.

United States District Court Western District of Texas Austin Division, "Complaint," *YETI Coolers, LLC v. Magnum Solace LLC*, Case: 1:16-cv-00663-RP, Document #1, filed Jun. 7, 2016, 24 pages.

United States District Court Western District of Texas Austin Division, "Defendant's Rule 12(B)(6) Motion to Dismiss For Failure to State a Claim," *YETI Coolers, LLC v. Magnum Solace LLC*, Case: 1:16-cv-00663-RP, Document #10, filed Aug. 5, 2016, 30 pages.

United States District Court Western District of Texas Austin Division, "Defendant's Answer," *YETI Coolers, LLC v. Magnum Solace LLC*, Case: 1:16-cv-00663-RP, Document #34, filed Apr. 13, 2017, 7 pages.

United States District Court Western District of Texas Austin Division, "Defendant's Answer to Plaintiff's Complaint and Affirmative Defenses," *YETI Coolers, LLC v. MyCrew, LLC, MyCrew Drinkware, LLC and NNRiverLife, LLC*, Case: 1:16-cv-01008-RP, Document #14, filed Nov. 29, 2016, 12 pages.

United States District Court Western District of Texas Austin Division, "Complaint," *YETI Coolers, LLC v. MyCrew, LLC, MyCrew Drinkware, LLC and NNRiverLife, LLC*, Case: 1:16-cv-01008, Document #1, filed Aug. 26, 2016, 29 pages.

United States District Court Western District of Texas Austin Division, "RTIC Drinkware's First Amended Complaint for Declaratory Judgment," *RTIC Drinkware, LLC v. YETI Coolers, LLC*, Case: 1:16-cv-00907-RP, Document #52, filed Nov. 14, 2016, 124 pages.

United States District Court Western District of Texas Austin Division, "YETI Coolers, LLC's Answer to RTIC Drinkware's First Amended Complaint," *RTIC Drinkware, LLC v. YETI Coolers, LLC*, Case: 1:16-cv-00907-RP, Document #58, filed Dec. 1, 2016, 15 pages.

United States District Court Western District of Texas Austin Division, "YETI Coolers, LLC's Answer to RTIC Drinkware LLC's Complaint," *RTIC Drinkware, LLC v. YETI Coolers, LLC*, Case: 1:16-cv-00907-RP, Document #35, filed Aug. 3, 2016, 27 pages.

United States District Court for the Southern District of Texas Houston Division, "RTIC Drinkware's Original Complaint for Declaratory Judgment, Damages, and Injunctive Relief," *RTIC Drinkware, LLC v. YETI Coolers, LLC*, Case: 4:16-cv-01201, Document #1, filed May 2, 2016, 58 pages.

United States District Court Western District of Texas Austin Division, "Order," *RTIC Drinkware, LLC v. YETI Coolers, LLC*, Case: 1:16-cv-00907-RP, Document #47, filed Oct. 13, 2016, 3 pages.

United States District Court Western District of Texas Austin Division, "Defendant RTIC Drinkware, LLC, RTIC Web Services, LLC, Corporate Support & Fulfillment, LLC, John Jacobsen, and James Jacobsen's Answer and Counterclaims to YETI's First Amended Complaint for Damages and Injunctive Relief," *YETI Coolers, LLC v. RTIC Coolers, LLC, RTIC Drinkware, LLC, RTIC Web Services,*

LLC, Corporate Support & Fulfillment, LLC; John Jacobsen; and James Jacobsen, Case: 1:16-cv-00264-RP, Document #25, filed Jun. 13, 2016, 42 pages.

United States District Court Western District of Texas Austin Division, "Complaint," *YETI Coolers, LLC v. RTIC Coolers, LLC*, Case: 1:16-cv-00264, Document #1, filed Mar. 2, 2016, 34 pages.

United States District Court Western District of Texas Austin Division, "YETI Coolers, LLC's Answer to RTIC Drinkware, LLC's, RTIC Web Services, LLC's, Corporate Support & Fulfillment, LLC's, John Jacobsen's, and James Jacobsen's Counterclaims," *YETI Coolers, LLC v. RTIC Coolers, LLC, RTIC Drinkware, LLC, RTIC Web Services, LLC, Corporate Support & Fulfillment, LLC, John Jacobsen, and James Jacobsen*, Case: 1:16-cv-00264-RP, Document #31, filed Jul. 7, 2016, 7 pages.

United States District Court Western District of Texas Austin Division, "First Amended Complaint," *YETI Coolers, LLC v. Sam's West, Inc., and Sam's East, Inc.*, Case: 1:16-cv-00829-RP, Document #32, filed Jan. 9, 2017, 24 pages.

United States District Court Western District of Texas Austin Division, "Defendants Sam's West, Inc. and Sam's East, Inc.'s Answer to Complaint," *YETI Coolers, LLC v. Sam's West, Inc., and Sam's East, Inc.*, Case: 1:16-cv-00829-RP, Document #16, filed Aug. 26, 2016, 11 pages.

United States District Court Western District of Texas Austin Division, "Complaint," *YETI Coolers, LLC v. Sam's West, Inc., and Sam's East, Inc.*, Case: 1:16-cv-00829, Document #1, Jun. 30, 2016, 21 pages.

United States District Court Western District of Texas Austin Division, "First Amended Complaint," *YETI Coolers, LLC v. Sic Products LLC, d/b/a Sic Cups, d/b/a Sic*, Case: 1:16-cv-00117-RP, Document #34, Nov. 21, 2016, 25 pages.

United States District Court Western District of Texas Austin Division, "Sic Products, LLC's Answer, Affirmative Defenses, and Counterclaims to Plaintiff's Amended Complaint," *YETI Coolers, LLC v. Sic Products LLC, d/b/a Sic cups, d/b/a Sic*, Case: 1:16-cv-00117-RP, Document #35, Dec. 5, 2016, 81 pages.

United States District Court Western District of Texas Austin Division, "Sic Products, LLC's Answer, Affirmative Defenses, and Counterclaims to Plaintiff's Complaint," *YETI Coolers, LLC v. Sic Products LLC, d/b/a Sic Cups, d/b/a Sic*, Case: 1:16-cv-00117-RP, Document #14, Jun. 3, 2016, 38 pages.

United States District Court Western District of Texas Austin Division, "Complaint," *YETI Coolers, LLC v. Sic Products LLC, d/b/a Sic Cups, d/b/a Sic*, Case: 1:16-cv-00117-RP, Document #1, Feb. 4, 2016, 23 pages.

United States District Court Western District of Texas Austin Division, "YETI Coolers, LLC's Answer to SIC Products, LLC Counterclaims," *YETI Coolers, LLC v. Sic Products LLC, d/b/a Sic Cups, d/b/a Sic*, Case: 1:16-cv-00117-RP, Document #21, Sep. 29, 2016, 15 pages.

United States District Court Western District of Texas Austin Division, "YETI Coolers, LLC's Answer to SIC Products, LLC Counterclaims to YETI Coolers, LLC's Amended Complaint," *YETI Coolers, LLC v. Sic Products LLC, d/b/a Sic Cups, d/b/a Sic*, Case: 1:16-cv-00117-RP, Document #38, Dec. 19, 2016, 20 pages.

United States District Court Western District of Texas Austin Division, "Complaint," *YETI Coolers, LLC v. The Allen Company, d/b/a Allen Color Craft*, Case: 1:15-cv-00888-RP, Document #1, Oct. 6, 2015, 24 pages.

United States District Court Western District of Texas Austin Division, "Complaint," *YETI Coolers, LLC v. Titan Custom Products, Inc.*, Case: 1:15-cv-00775, Document #1, Sep. 2, 2015, 22 pages.

United States District Court Western District of Texas Austin Division, "Answer," *YETI Coolers, LLC v. Tree Leaf Marketing, LLC d/b/a Big Frig*, Case: 1:16-cv-00699-RP, Document #11, Oct. 21, 2016, 8 pages.

United States District Court Western District of Texas Austin Division, "Complaint," *YETI Coolers, LLC v. Tree Leaf Marketing, LLC d/b/a Big Frig*, Case: 1:16-cv-00699, Document #1, Jun. 17, 2016, 33 pages.

(56)

References Cited

OTHER PUBLICATIONS

United States District Court Western District of Texas Austin Division, "Complaint," *YETI Coolers, LLC v. US Imprints, LLC, d/b/a GOimprints*, Case: 1:15-cv-00773, Document #1, Sep. 2, 2015, 22 pages.

United States District Court Western District of Texas Austin Division, "Order," *YETI Coolers, LLC v. US Imprints, LLC, d/b/a GOimprints*, Case: 1:15-cv-00773-RP, Document #23, Apr. 25, 2016, 1 page.

United States District Court Western District of Texas Austin Division, "Veterinary Internet Company, LLC d/b/a VetInternetCo's Answer to Plaintiffs Complaint," *YETI Coolers, LLC v. Polar Pad LLC, d/b/a Polar Drifter, d/b/a Polar Pad, and Veterinary Internet Company, LLC, d/b/a VetInternetCo*, Case: 1:16-cv-00677-RP, Document #11, Aug. 19, 2016, 12 pages.

United States District Court Western District of Texas Austin Division, "Complaint," *YETI Coolers, LLC v. Polar Pad LLC, d/b/a Polar Pad Drifter, d/b/a Polar Pad, and Veterinary Internet Company, LLC, d/b/a VetInternetCo*, Case: 1:16-cv-00128, Document #1, Feb. 12, 2016, 24 pages.

United States District Court Western District of Texas Austin Division, "Complaint," *YETI Coolers, LLC v. Polar Pad LLC, d/b/a Polar Pad Drifter, d/b/a Polar Pad, and Veterinary Internet Company, LLC, d/b/a VetInternetCo*, Case: 1:16-cv-00677, Document #1, Jun. 10, 2016, 25 pages.

United States District Court Western District of Texas Austin Division, "Order," *YETI Coolers, LLC v. Polar Pad LLC, d/b/a Polar Pad Drifter, d/b/a Polar Pad, and Veterinary Internet Company, LLC, d/b/a VetInternetCo*, Case: 1:16-cv-00128-RP, Document #17, Jun. 17, 2016, 1 page.

United States District Court Western District of Texas Austin Division, "[Proposed] Order Granting Stipulated Motion to Dismiss Defendant Polar Pad, LLC, Without Prejudice, Pursuant to Fed. R. Civ. P. 21," *YETI Coolers, LLC v. Polar Pad LLC, d/b/a Polar Pad Drifter, d/b/a Polar Pad, and Veterinary Internet Company, LLC, d/b/a VetInternetCo*, Case: 1:16-cv-00677-RP, Document #14, Sep. 15, 2016, 1 page.

United States District Court Western District of Texas Austin Division, "Complaint," *YETI Coolers, LLC v. Vickery Products, LLC d/b/a Axis Cups, f/d/b/a Frio Cups*, Case: 1:17-cv-00260, Document #1, Mar. 24, 2017, 52 pages.

United States District Court Western District of Texas Austin Division, "First Amended Complaint," *YETI Coolers, LLC v. Wal-Mart Stores, Inc. and Olympia Tools International, Inc.*, Case: 1:16-cv-00454-RP, Document #17, May 24, 2016, 26 pages.

United States District Court Western District of Texas Austin Division, "Complaint," *YETI Coolers, LLC v. Wal-Mart Stores, Inc.*, Case: 1:16-cv-00454, Document #1, Apr. 8, 2016, 29 pages.

United States District Court Western District of Texas Austin Division, "Olympia Tools International, Inc.'s Answer to YETI Coolers, LLC's First Amended Complaint," *YETI Coolers, LLC v. Wal-Mart Stores, Inc. and Olympia Tools International, Inc.*, Case: 1:16-cv-00454-RP, Document #28, Jul. 14, 2016, 12 pages.

United States District Court Western District of Texas Austin Division, "Wal-Mart Stores, Inc.'s Answer to First Amended Complaint," *YETI Coolers, LLC v. Wal-Mart Stores, Inc. and Olympia Tools International, Inc.*, Case: 1:16-cv-00454-RP, Document #22, Jun. 7, 2016, 13 pages.

United States District Court Western District of Texas Austin Division, "Plaintiffs' Complaint for Damages and Injunctive Relief," *YETI Coolers, LLC v. Seth Stevens d/b/a SDS Marketing d/b/a Eskimo Coolers, Panther Group LLC d/b/a Eskimo Coolers, Panther Group Sales, LLC d/b/a Eskimo Coolers, and Silver Fox Sales, LLC*, Case 1:17-cv-00423, Document 1, filed May 5, 2017, 77 pages.

"Hooler the handheld cooler", published on Apr. 12, 2014, retrieved from <https://web.archive.org/web/20140412062054/http://www.hoolercooler.com/> on Aug. 4, 2015.

United States District Court Western District of Texas Austin Division, "Complaint for Damages and Injunctive Relief," *YETI*

Coolers, LLC v. Jennifer Leverne Bootz Evans d/b/a Bling and Burlap Buy In's and Blanks, Case: 1:15-cv-00995, Document #1, filed Nov. 2, 2015, 128 pages.

United States District Court Western District of Texas Austin Division, "Order Dismissing Case," *YETI Coolers, LLC v. Jennifer Leverne Bootz Evans d/b/a Bling and Burlap Buy In's and Blanks*, Case: 1:15-cv-00995-RP, Document #18, filed Apr. 18, 2016, 1 page.

United States District Court Western District of Texas Austin Division, "Complaint for Damages and Injunctive Relief," *YETI Coolers, LLC v. RTIC Coolers, LLC*, Case: 1:16-cv-00264, Document #1, filed Mar. 2, 2016, 34 pages.

United States District Court Western District of Texas Austin Division, "Defendants' Answer and Counterclaims to YETI's First Amended Complaint for Damages and Injunctive Relief," *YETI Coolers, LLC v. RTIC Coolers, LLC, RTIC Drinkware, LLC, RTIC Web Services, LLC, Corporate Support & Fulfillment, LLC, John Jacobsen, and James Jacobsen*, Case: 1:16-cv-00264-RP, Document #25, filed Jun. 13, 2016, 42 pages.

United States District Court Western District of Texas Austin Division, "YETI Coolers, LLC's First Amended Complaint," *YETI Coolers, LLC v. RTIC Coolers, LLC, RTIC Drinkware, LLC, RTIC Web Services, LLC, Corporate Support & Fulfillment, LLC, John Jacobsen, and James Jacobsen*, Case: 1:16-cv-00264-RP, Document #15, filed May 16, 2016, 110 pages.

United States District Court Western District of Texas Austin Division, "Complaint for Damages and Injunctive Relief," *YETI Coolers, LLC v. Tree Leaf Marketing, LLC, d/b/a Big Frig*, Case: 1:16-cv-00699, Document #1, filed Jun. 17, 2016, 33 pages.

United States District Court Western District of Texas Austin Division, "Complaint for Damages and Injunctive Relief," *YETI Coolers, LLC v. Wal-Mart Stores, Inc.*, Case: 1:16-cv-00454, Document #1, filed Apr. 8, 2016, 29 pages.

United States District Court Western District of Texas Austin Division, "Joint Rule 26(f) Report and Discovery Plan," *YETI Coolers, LLC v. Wal-Mart Stores, Inc. and Olympia Tools International, Inc.*, Case: 1:16-cv-00454-RP, Document #29, filed Jul. 28, 2016, 8 pages.

United States District Court Western District of Texas Austin Division, "Olympia Tools International, Inc.'s Answer to YETI Coolers, LLC's First Amended Complaint," *YETI Coolers, LLC v. Wal-Mart Stores, Inc. and Olympia Tools International, Inc.*, Case: 1:16-cv-00454-RP, Document #28, filed Jul. 14, 2016, 12 pages.

United States District Court Western District of Texas Austin Division, "Wal-Mart Stores, Inc.'s Answer to First Amended Complaint," *YETI Coolers, LLC v. Wal-Mart Stores, Inc. and Olympia Tools International, Inc.*, Case: 1:16-cv-00454-RP, Document #22, filed Jun. 7, 2016, 13 pages.

United States District Court Western District of Texas Austin Division, "First Amended Complaint for Damages and Injunctive Relief," *YETI Coolers, LLC v. Wal-Mart Stores, Inc. and Olympia Tools International, Inc.*, Case: 1:16-cv-00454-RP, Document #17, filed May 24, 2016, 26 pages.

United States District Court Western District of Texas Austin Division, "Complaint for Damages and Injunctive Relief," *YETI Coolers, LLC v. Magnum Solace LLC*, Case: 1:16-cv-00663-RP, Document #1, filed Jun. 7, 2016, 24 pages.

United States District Court Western District of Texas Austin Division, "Joint Rule 26(f) Report and Discovery Plan," *YETI Coolers, LLC v. RTIC Coolers, LLC, RTIC Drinkware, LLC, RTIC Web Services, LLC, Corporate Support & Fulfillment, LLC, John Jacobsen, and James Jacobsen*, Case: 1:16-cv-00264-RP, Document #26, filed Jun. 23, 2016, 7 pages.

United States District Court Western District of Texas Austin Division, "Defendant's Rule 12(B)(6) Motion to Dismiss," *YETI Coolers, LLC v. Magnum Solace LLC*, Case: 1:16-cv-00663-RP, document #10, filed Aug. 5, 2016, 30 pages.

United States District Court Western District of Texas Austin Division, "YETI's Opposition to Defendant's Motion to Dismiss," *YETI Coolers, LLC v. Magnum Solace LLC*, Case: 1:16-cv-00663-RP, Document #12, filed Aug. 19, 2016, 17 pages.

United States District Court Western District of Texas Austin Division, "Complaint for Damages and Injunctive Relief," *YETI*

(56)

References Cited

OTHER PUBLICATIONS

Coolers, LLC v. MyCrew, LLC, MyCrew Drinkware, LLC, and NNRiverLife, LLC, Case: 1:16-cv-01008, Document #1, filed Aug. 26, 2016, 29 pages.

United States District Court Western District of Texas Austin Division, “Defendant’s Reply in Support of its Rule 12(B)(6) Motion to Dismiss,” *YETI Coolers, LLC v. Magnum Solace LLC*, Case: 1:16-cv-00663-RP, Document #13, filed Aug. 29, 2016, 18 pages.

“Siskiyou Sports CCS48F Oklahoma Sooners Flame Can Cooler”, published on Jul. 9, 2014, retrieved from <<http://www.sears.com/siskiyou-sports-ccs48f-oklahoma-sooners-flame-can-cooler/p-SPM7376348303>> on Sep. 16, 2016.

“Mini Keg Coozies! Beer Inside Kegs!”, published by Chad Dukes on Dec. 18, 2013, retrieved from <<http://beerandpig.com/category/beer/page/2/>> on Sep. 16, 2016.

“Stainless Steel Can Cooler”, published on Apr. 6, 2014, retrieved from <<http://www.belpromo.com/nd/detail.php?c=34&p=KZSS001&s=mvp23g56>> on Sep. 22, 2016.

“Stanley Vacuum Insulated Container—Thermos bottle”, published on Feb. 24, 2012, retrieved from <<https://www.youtube.com/watch?v=UCMjqZiNU3o>> on Sep. 23, 2016.

United States District Court Western District of Texas Austin Division, “YETI’s Supplemental Brief in Opposition to Magnum’s Motion to Dismiss,” *YETI Coolers, LLC v. Magnum Solace LLC*, Case: 1:16-cv-00663-RP, Document #16, filed Sep. 27, 2016, 7 pages.

United States District Court Western District of Texas Austin Division, “Defendant’s Opposed Motion for a Protective Order and Stay of Discovery,” *YETI Coolers, LLC v. Magnum Solace LLC*, Case: 1:16-cv-00663-RP, Document #17, filed Oct. 3, 2016, 47 pages.

United States District Court Western District of Texas Austin Division, “YETI’s Opposition to Magnum’s Motion for a Protective Order and Stay of Discovery,” *YETI Coolers, LLC v. Magnum Solace LLC*, Case: 1:16-cv-00663-RP, Document #20, filed Oct. 11, 2016, 16 pages.

United States District Court Western District of Texas Austin Division, “Defendant’s Reply in Support of its Motion for a Protective Order and Stay of Discovery,” *YETI Coolers, LLC v. Magnum Solace LLC*, Case: 1:16-cv-00663-RP, Document #22, filed Oct. 18, 2016, 5 pages.

JPO Prior art Reference No. HJ20071600.

English translation of Office Action dated Oct. 18, 2016 for JP Application No. 2016-004372, 3 pages.

English translation of Office Action dated Oct. 18, 2016 for JP Application No. 2016-004373, 3 pages.

United States District Court Western District of Texas Austin Division, “Defendants’ Motion to Dismiss Pursuant to Rule 12(b)(6),” *YETI Coolers, LLC v. Imagen Brands, LLC, d/b/a Crown Products, and Ebsco Industries, Inc.*, Case 1:16-cv-00578-RP, Document #8, filed Oct. 4, 2016, 27 pages.

United States District Court Western District of Texas Austin Division, “Answer,” *YETI Coolers, LLC v. Tree Leaf Marketing, LLC, d/b/a Big Frig*, Case: 1:16-cv-00699, Document #11, filed Oct. 21, 2016, 8 pages.

“YETI Press Release—Rambler Lowball”, published on Jul. 15, 2015, retrieved from <<http://yeti.com/press-releases/yeti-coolers-unveils-new-rambler-lowball>> on Mar. 14, 2017.

“Bekith Kids Water Mugs Stainless Steel Drinking Cups Double Wall Food Grade Durable Safe—Set of 2”, published date unknown, but for purposes of patent prosecution presumably a year prior to the filing date of the present application, retrieved from <https://www.amazon.com/Bekith-Stainless-Drinking-Double-Durable/dp/B019JNKG7A/ref=pd_sim_79_5?encoding=UTF8&psc=1&refRID=ZP054HJK7VYT6T39DSYN> on Mar. 14, 2017.

“Camp Cup”, published date unknown, but for purposes of patent prosecution presumably a year prior to the filing date of the present application, retrieved from <<https://www.miir.com/collections/camp/products/campcup>> on Mar. 13, 2017.

“Chinook Timberline Double-wall 12.5 Ounces Mug”, published date unknown, but for purposes of patent prosecution presumably a year prior to the filing date of the present application, retrieved from <https://www.amazon.com/Chinook-Timberline-Double-wall-12-5-Ounces/dp/B00261CO8U/ref=pd_sim_79_3?encoding=UTF8&psc=1&refRID=C586FMMXYCY44F2AZCJB> on Mar. 14, 2017.

“Double Wall Copper Coffee Mug”, published date unknown, but for purposes of patent prosecution presumably a year prior to the filing date of the present application, retrieved from <http://www.williamssonoma.com/products/1614242/?catalogId=27&sku=1614242&cm_ven=Google_PLA&cm_cat=Shopping&cm_pla=default&cm_ite=default&kwid=productads-adid%5E45527543503-device%5Ecpaid%5E83089551703-sku%5E1614242-adType%5EPLA&gclid=CIGFx4v9g9ECFYeEsw> on Mar. 14, 2017.

“Double Wall Stainless Steel Beer Mug”, published date unknown, but for purposes of patent prosecution presumably a year prior to the filing date of the present application, retrieved from <<https://www.vat19.com/item/stainless-steel-beer-mug>> on Mar. 14, 2017.

“Woodcraft 15oz Shop Mug Insulated Stainless Steel”, published date unknown, but for purposes of patent prosecution presumably a year prior to the filing date of the present application, retrieved from <https://www.amazon.com/Woodcraft-15oz-Insulated-Stainless-Steel/dp/B004TQGH0S/ref=pd_sim_79_3?encoding=UTF8&psc=1&refRID=EYMWNJTCACXEY8YGJMJ> on Mar. 14, 2017.

“YETI Press Release—Rambler Colster”, published on Jan. 8, 2015, retrieved from <<http://yeti.com/press-releases/rambler-colster>> on Mar. 27, 2017.

Alexander, Emmet, “Removable Bicycle Cup Holder by Bookman”, posted Mar. 23, 2014 online, retrieved May 6, 2016 from Internet, URL: <http://coolmensgear.com/removable-bicycle-cup-holder/>.

“Meyers California Rainbow Mug With Removable Wood Metal Handle”, retrieved from Internet on Jun. 6, 2016; URL: <https://www.pinterest.com/pin/148618856430252325/>.

“Tervis Tumbler Black 24 Oz. Handle”, retrieved from Internet Jun. 6, 2016; URL: <http://www.amazon.com/Tervis-Tumbler-Black-24oz-Handle/dp/B004VVBHORG>.

Purdum, Sandra, “Mug or Tumbler Metal Handles Spare Parts”, retrieved from Internet Jun. 6, 2016; URL: https://www.etsy.com/...r-tumbler-metalhandles-spare-parts?ga_order=most_relevant&ga_search_type=all&ga_view_type=gallery&ga_search_query=metal%20handled%20mugs&ref=sr_gallery_8.

“Red Removable Handle 16-oz. Travel Tumbler”, retrieved from Internet Jun. 6, 2016, URL: <http://www.zulily.com/p/red-removable-handle-16-oz-travel-tumbler-120715-7353259.html>.

“Red Removable Handle 16-Oz. Travel Tumbler.” Accessed Aug. 31, 2016. Available online at URL: <<http://www.zulily.com/p/red-removable-handle-16-oz-travel-tumbler-120715-7353259.html>>.

“Removable Bicycle Cup Holder by Bookman.” Published Mar. 23, 2014. Accessed Aug. 31, 2016. Available online at URL: <<http://coolmensgear.com/removable-bicycle-cup-holder/>>.

“Meyers California Rainbow Mug with Removable Wood/Metal Handle.” Accessed Aug. 31, 2016. Available online at URL: <<https://www.pinterest.com/pin/148618856430252325/>>.

“Tervis Tumbler Black 24oz. Handle.” Amazon.com. Accessed Aug. 31, 2016. Available online at URL: <<https://www.amazon.com/Tervis-Tumbler-Black-24oz-Handle/dp/B004VVBHORG>>.

“Spare Parts for Those Mugs or Tumblers with No Handles.” Accessed Aug. 31, 2016. Available online at URL: <https://www.etsy.com/listing/255089724/parts-parts-parts-mug-or-tumbler-metal?ga_order=most_relevant&ga_search_type=all&ga_view_type=gallery&ga_search_query=metal+handled+mugs&ref=sr_gallery_8>.

Pictures of Great American Products Tumbler, published date unknown, but for purposes of patent prosecution presumably a year prior to the filing date of the present application.

Photographic image of YETI 30oz Rambler Tumbler, published date unknown, but for purposes of patent prosecution presumably a year prior to the filing date of the present application.

Second photographic image of YETI 30oz Rambler Tumbler, published date unknown, but for purposes of patent prosecution presumably a year prior to the filing date of the present application.

(56)

References Cited

OTHER PUBLICATIONS

Promotional Items, Inc., “Stainless Steel 14oz. Deluxe Coffee Insulated Tumbler Lid”, retrieved from <http://www.promotional-items-inc.com/catalog/stainless_steel_18oz_commuter_coffee_mug_lid.html> on Aug. 27, 2015.

The Product Farm, “BeerNStein Rocks Tumbler Lid—Blue”, retrieved from <<http://store.theproductfarm.com/beerstein-rocks-tumbler-lid-blue/>> on Aug. 27, 2015.

Hit Promotional Products, “24 Oz. Biggie Tumbler with Lid”, retrieved from <<http://www.hitpromo.net/product/show/5853/24-oz-biggie-tumbler-with-lid>> on Aug. 27, 2015.

The Alexon Group, “16 Oz. Stainless Steel Travel Mug with Slide Action Lid and Plastic Inner Liner”, retrieved from <<https://alexongroup.com/16-oz-stainless-steel-travel-mug-with-slide-action-lid-and-plastic-inner-liner>> on Aug. 27, 2015.

“New 16oz Insulated Coffee Travel Mug Stainless Steel Double Wall Thermos Tumbler”, retrieved from <<http://www.ebay.com/itm/New-16oz-Insulated-COFFEE-TRAVEL-MUG-Stainless-Steel-Double-Wall-Thermos-Tumbler-/171416296921>> on Aug. 27, 2015.

“Stainless Steel Travel Mug with Slide Action Lid and Plastic Inner Liner—16oz.”, retrieved from <<http://waterbottles.com/stainless-steel-travel-mug-with-slide-action-lid-and-plastic-inner-liner-16-oz/>> on Aug. 27, 2015.

Vat19, “16 oz. Dual Auto/USB Heated Mug”, retrieved from <<https://www.vat19.com/item/16-oz-dual-auto-usb-heater-coffee-mug>> on Aug. 27, 2015.

Timolino, “Signature Thermal Travel Mug Slide—Tab Lid”, retrieved from <<http://timolino.com/products/signature-thermal-travel-mug-slide-tab-lid>> on Aug. 27, 2015.

Eshine Industrial & Maoyuan International, “400ml Double Wall Stainless Steel Travel Mug with Sliding Drink Lid”, retrieved from <<http://www.chinawaterbottle.com/product/400ml-double-wall-stainless-steel-travel-mug-with-sliding-drink-lid-77-520.html>> on Aug. 27, 2015.

Photo USA Electronic Graphic Inc., “17fl oz Personalised Travel Mug (Plastic Insert and Metal Shell, Reverse Screw)”, retrieved from <<http://www.meikeda.com/stainless-steel-mug/item/15-oz-personalised-travel-mug.html>> on Aug. 27, 2015.

Promo Industrial Co., Limited, “16 Oz. Blue Bullet Travel Mug W/ Handle”, retrieved from <http://www.oempromo.com/Bottle-cup-and-mug/Mugs/index_73_h.htm> on Aug. 27, 2015.

Gold Bond Inc., “16CT—16 oz Cafe Tumbler”, retrieved from <<http://www.goldbondinc.com/16ct>> on Aug. 27, 2015.

“YETI Rambler 20 and 30 oz”, published on Apr. 19, 2014, retrieved from <https://web.archive.org/web/20140419041951/http://yeticoolers.com/rambler-tumblers/> on Sep. 2, 2015.

Photographic image of YETI 20oz Rambler Tumbler, published date unknown, but prior to the filing date of the present application.

United States District Court Western District of Texas Austin Division, “Plaintiff Yeti Coolers, LLC’s Original Complaint,” *YETI Coolers, LLC v. Ontel Products Corporation and World Pack USA, LLC*, Case: 1:17-cv-00091-RP, Document #1, filed Feb. 8, 2017, 65 pages.

United States District Court Western District of Texas Austin Division, “Defendants’ Answers and Defenses to Plaintiff’s Original Complaint,” *YETI Coolers, LLC v. Ontel Products Corporation and World Pack USA, LLC*, Case: 1:17-cv-00091-RP, Document #14, filed Feb. 21, 2017, 45 pages.

United States District Court Western District of Texas Austin Division, “Complaint for Damages and Injunctive Relief,” *YETI Coolers, LLC v. Tree Leaf Marketing, LLC, d/b/a Big Frig*, Case: 1:16-cv-00699-RP, Document #26, filed Apr. 7, 2017, 39 pages.

Thermos Funtainer 10 oz Food Jar [online], [retrieved Aug. 6, 2018], Retrieved from the Internet, URL: <https://www.amazon.com/Thermos-Funtainer-Ounce-Food-Blue/dp/B00CBFAE6W?ref=ast_pc_rc>; 10 color pages, published Mar. 20, 2013.

Thermos Funtainer 16 oz Food Jar [online], [retrieved Aug. 6, 2018], Retrieved from the Internet, URL: <https://www.amazon.com/Thermos-Funtainer-Ounce-Food-Charcoal/dp/B01ATVK4KK?ref=ast_p_pc_rc&th-1>; 7 color pages, published date Jan. 19, 2016.

United States International Trade Commission, “Respondents Alibaba, Dunhuang Group, and Bonanza.com’s Notice of Prior Art,” In the Matter of: Certain Insulated Beverage Containers, Components, Labels, and Packaging Materials Thereof, Inv. No. 337-TA-1084, filed Feb. 9, 2018, 8 pages.

United States International Trade Commission, “Respondent Contextlogic, Inc.’s Notice of Prior Art,” In the Matter of: Certain Insulated Beverage Containers, Components, Labels, and Packaging Materials Thereof, Inv. No. 337-TA-1084, filed Feb. 9, 2018, 15 pages.

United States International Trade Commission, “The Commission Investigative Staff’s Notice of Prior Art” In the Matter of: Certain Insulated Beverage Containers, Components, Labels, and Packaging Materials Thereof, Inv. No. 337-TA-1084 filed Feb. 9, 2018, 4 pages.

YETI Rambler Colster Beverage Holder [online], [retrieved Feb. 1, 2018] Retrieved from the Internet, <URL: <https://kevinscatalog.com/yeti-colster-beverage-holder-44-1064>>, 4 color pages, published date unknown, but for purpose of patent prosecution prior to the filing date of the present application.

Firm Grip: The 15 Coolest Beer Koozies [online], [retrieved Mar. 16, 2018], Retrieved from the Internet, URL: <<http://hiconsumption.com/2014/01/firm-grip-the-15-coolest-beer-koozies/>>, 10 color pages, published date unknown, but for purposes of patent prosecution prior to the filing date of the present application.

Thermos Stainless Steel Can Insulator [online], [retrieved Mar. 19, 2018], Retrieved from the Internet, URL: <<https://www.youtube.com/watch?v=p8pV3BhAOiU>>, 1 color page, published on Oct. 8, 2008.

Custom Ventura Travel Tumbler—Promotional Travel Mugs at 4imprint [online], [retrieved Mar. 19, 2018], Retrieved from the Internet, URL: <<https://www.youtube.com/watch?v=e8okCU8DaP4>>, 1 color page, published on Dec. 19, 2014.

15 Oz. Stainless Steel Double Wall Tumbler [online], [retrieved Mar. 19, 2018], Retrieved from the Internet, URL: <<https://www.4allpromos.com/product/15-oz-stainless-steel-double-wall-tumbler>>, 5 color pages, published date unknown, but for purposes of patent prosecution prior to the filing date of the present application.

Personalized Color Touch Stainless Tumbler—Promotional Travel Mugs by 4imprint [online], [retrieved Mar. 19, 2018], Retrieved from the Internet, URL: <<https://www.youtube.com/watch?v=v7TLpRMCFIw>>, 1 color page, published on Dec. 18, 2014.

15 oz. Stainless Deal Tumbler—Custom Promotional Coffee Tumblers from InkHead.com [online], [retrieved Mar. 19, 2018], Retrieved from the Internet, URL: <<https://www.youtube.com/watch?v=vywesydY6xs>>, 1 color page, published on Jul. 11, 2011.

Reflections Metallic Tumbler [online], [retrieved Mar. 19, 2018], Retrieved from the Internet, URL: <<https://www.youtube.com/watch?v=cNT6h4cKfAs>>, 1 color page, published on Jan. 9, 2014.

Swag Standard | Seaside 15-oz. Travel Mug [online], [retrieved Mar. 19, 2018], Retrieved from the Internet, URL: <https://www.youtube.com/watch?v=cb58zm_PSOo>, 1 color page, published on Mar. 3, 2015.

Logo Coffee Mugs—Stainless Steel Tumbler w/ Color Trim—MARCO [online], [retrieved Mar. 19, 2018], Retrieved from the Internet, URL: <<https://www.youtube.com/watch?v=2k72dgsWJy8>>, 1 color page, published on Apr. 21, 2014.

Promotional Cups—14 oz. Ventura Double Wall Travel Tumblers—MARCO [online], [retrieved Mar. 19, 2018], Retrieved from the Internet, URL: <<https://www.youtube.com/watch?v=QAkt5III5J4>>, 1 color page, published on May 9, 2014.

SnapSeal™ Byron Travel Mug [online], [retrieved Mar. 19, 2018], Retrieved from the Internet, URL: <<https://www.youtube.com/watch?v=dL1IdCzILD0>>, 1 color page, published on Feb. 13, 2014.

Review of the Starbucks “Clip and Sip” Travel Coffee Mug [online], [retrieved Mar. 19, 2018], Retrieved from the Internet, URL: <<https://www.youtube.com/watch?v=6DfWKhLe1b4>>, 1 color page, published on Nov. 13, 2014.

Stainless Steel Curvy Tumbler (16 Oz.)—Q11830 [online], [retrieved Mar. 19, 2018], Retrieved from the Internet, URL: <<https://www.youtube.com/watch?v=8UCmHszwMLY>>, 1 color page, published on Jul. 8, 2012.

(56)

References Cited

OTHER PUBLICATIONS

Best Tumbler Thermos Mug for caffe latte or messy drink: Starbucks Reserve Stainless Steel [online], [retrieved Mar. 19, 2018], Retrieved from the Internet, URL: <https://www.youtube.com/watch?v=h2IWzV6wVbk>, 1 color page, published on Oct. 22, 2014.

CamelBak Forge Travel Mugs | Crew Review [online], [retrieved Mar. 19, 2018], Retrieved from the Internet, URL: <https://www.youtube.com/watch?v=XuR0u3OEndY>, 1 color page, published on Jul. 23, 2015.

Autoseal® West Loop Stainless Travel Mug with Easy-Clean Lid [online], [retrieved Mar. 19, 2018], Retrieved from the Internet, URL: <https://www.youtube.com/watch?v=bClubrvh2zs>, 1 color page, published on Feb. 6, 2014.

Stainless King Food Jar Youtube.wmv [online], [retrieved Mar. 19, 2018], Retrieved from the Internet, URL: <https://www.youtube.com/watch?v=RGHArOT_rEs>, 1 color page, published on Oct. 20, 2010.

Thermos Food Jar Review [online], [retrieved Mar. 19, 2018], Retrieved from the Internet, URL: <https://www.youtube.com/watch?v=3esAaqKc4po>, 1 color page, published on Jan. 26, 2013.

Thermos Infant [online], [retrieved Mar. 19, 2018], Retrieved from the Internet, URL: <https://www.youtube.com/watch?v=vUf2MPVSODM>, 1 color page, published on May 14, 2013.

Promo Travel Mugs—16 oz. Double Wall Stainless Steel Tumbler—MARCO [online], [retrieved Mar. 19, 2018], Retrieved from the Internet, URL: <https://www.youtube.com/watch?v=sanCJS5rtig>, 1 color page, published on Nov. 21, 2012.

Contigo Autoseal Stainless Steel Vacuum Insulated Tumbler Travel Mug Full Review [online], [retrieved Mar. 19, 2018], Retrieved from the Internet, URL: <https://www.youtube.com/watch?v=O2aiMQmjIFg>, 1 color page, published on Sep. 16, 2012.

ChillingTheMost.com Houston Boat Show 2014 [online], [retrieved Mar. 19, 2018], Retrieved from the Internet, URL: <https://www.youtube.com/watch?v=1vUQ43gVL38>, 1 color page, published on Aug. 29, 2014.

2012 Tampa Boat Show—Chilling The Most [online], [retrieved Mar. 19, 2018], Retrieved from the Internet, URL: <https://www.youtube.com/watch?v=IWgldQcYz48>, 1 color page, published on Oct. 1, 2012.

Contigo Autoseal Spill-Proof Travel Mug Review and Giveaway [online], [retrieved Mar. 19, 2018], Retrieved from the Internet, URL: <https://www.makeuseof.com/tag/contigo-autoseal-spill-proof-travel-mug-review-and-giveaway/>, 6 color pages, published on Dec. 28, 2010.

Klean Kanteen 27oz Stainless Steel Bottle w/ Built NY 27oz Bottle Tote [online], [retrieved Mar. 19, 2018], Retrieved from the Internet, URL: <https://www.youtube.com/watch?v=R411PhqF6Tc>, 1 color page, published on Sep. 3, 2009.

Teavana Contour Tumbler vs Thermos Review [online], [retrieved Mar. 20, 2018], Retrieved from the Internet, URL: <https://www.youtube.com/watch?v=O55uWyKiWRM>, 1 color page, published on Feb. 11, 2013.

KeepCup—Inside Business [online], [retrieved Mar. 20, 2018], Retrieved from the Internet, URL: <https://www.youtube.com/watch?v=hJ5xUpC8VXQ>, 1 color page, published on Feb. 14, 2012.

William & the Ordinary Hero Coffee Tumbler [online], [retrieved Mar. 20, 2018], Retrieved from the Internet, URL: <https://www.youtube.com/watch?v=CwpT_KePTdk>, 1 color page, published on Jun. 10, 2011.

Persona Vacuum Tumbler (14 Oz.)—Q49231 [online], [retrieved Mar. 20, 2018], Retrieved from the Internet, URL: <https://www.youtube.com/watch?v=XUoRO3I-uhA>, 1 color page, published on Dec. 10, 2012.

Product Review: Klean Kanteen Wide Insulated [online], [retrieved Mar. 20, 2018], Retrieved from the Internet, URL: <https://www.apartmenttherapy.com/product-review-klean-kanteen-w-105234>, 4 color pages, published on Jan. 3, 2010.

GSI Fairshare Collapsible Cup [online], [retrieved Mar. 20, 2018], Retrieved from the Internet, URL: <https://www.youtube.com/watch?v=GqWiv4k8Ddc>, 1 color page, published on Jan. 14, 2013.

How To Clean The JOemo Reusable Travel Mug Lid [online], [retrieved Mar. 20, 2018], Retrieved from the Internet, URL: <https://www.youtube.com/watch?v=O39NGhuQDms>, 1 color page, published on Sep. 12, 2011.

SFS DM400 Photo Tumbler Printing Video [online], [retrieved Mar. 22, 2018], Retrieved from the Internet, URL: <https://www.youtube.com/watch?v=d9Xyb9StdRY>, 1 color page, published on Jul. 1, 2012.

Starbucks Stainless Steel Travel Press—Rose Gold 10 fl oz (011028166) Best Buy Deals | Bestseller [online], [retrieved Mar. 22, 2018], Retrieved from the Internet, URL: <https://www.youtube.com/watch?v=-dhoL4ohTOU>, 1 color page, published on Oct. 15, 2014.

Custom Full-Wrap Travel Tumbler—Promotional Tumblers by 4imprint [online], [retrieved Mar. 22, 2018], Retrieved from the Internet, URL: <https://www.youtube.com/watch?v=A8sveo1261s>, 1 color page, published on Nov. 12, 2014.

15 oz Maui Fusion Tumbler—Custom Travel Coffee Tumblers from InkHead.com [online], [retrieved Mar. 22, 2018], Retrieved from the Internet, URL: <https://www.youtube.com/watch?v=MrQAJR6skr8>, 1 color page, published on Apr. 12, 2013.

Thermos Vacuum Insulated 14 oz Travel Tumbler with Lever45;Operated Lid [online], [retrieved Apr. 4, 2018], Retrieved from the Internet, URL: <https://www.amazon.com/Thermos-Insulated-Stainless-Operated-Tumbler/dp/B00JM0KAZO/ref=sr_1_fkmr0_1?ie=UTF8&qid=1522868078&sr=8-1-fkmr0&keywords=thermos+vacuum+insulated+14+oz+travel+tumbler+with+lever+45%3B+operated+lid>, 8 color pages, published date unknown, but for purposes of patent prosecution prior to the filing date of the present application.

Thermos Stainless Steel 14 Ounce Travel Tumbler with 360 Degree Lid [online], [retrieved Apr. 4, 2018], Retrieved from the Internet, URL: <https://www.amazon.com/Thermos-Stainless-Travel-Tumbler-Degree/dp/B000FOMQ4O/ref=sr_1_1?ie=UTF8&qid=1522868265&sr=8-1&keywords=thermos+stainless+steel+14+ounce+travel+tumbler+with+360+degree+lid>, 7 color pages, published date unknown, but for purposes of patent prosecution prior to the filing date of the present application.

Maui Fusion Travel Mug—14 oz. [online], [retrieved Apr. 4, 2018], Retrieved from the Internet, URL: <https://www.4imprint.com/product/105878/maui-fusion-travel-mug-14-oz>, 2 color pages, published date unknown, but for purposes of patent prosecution prior to the filing date of the present application.

* cited by examiner

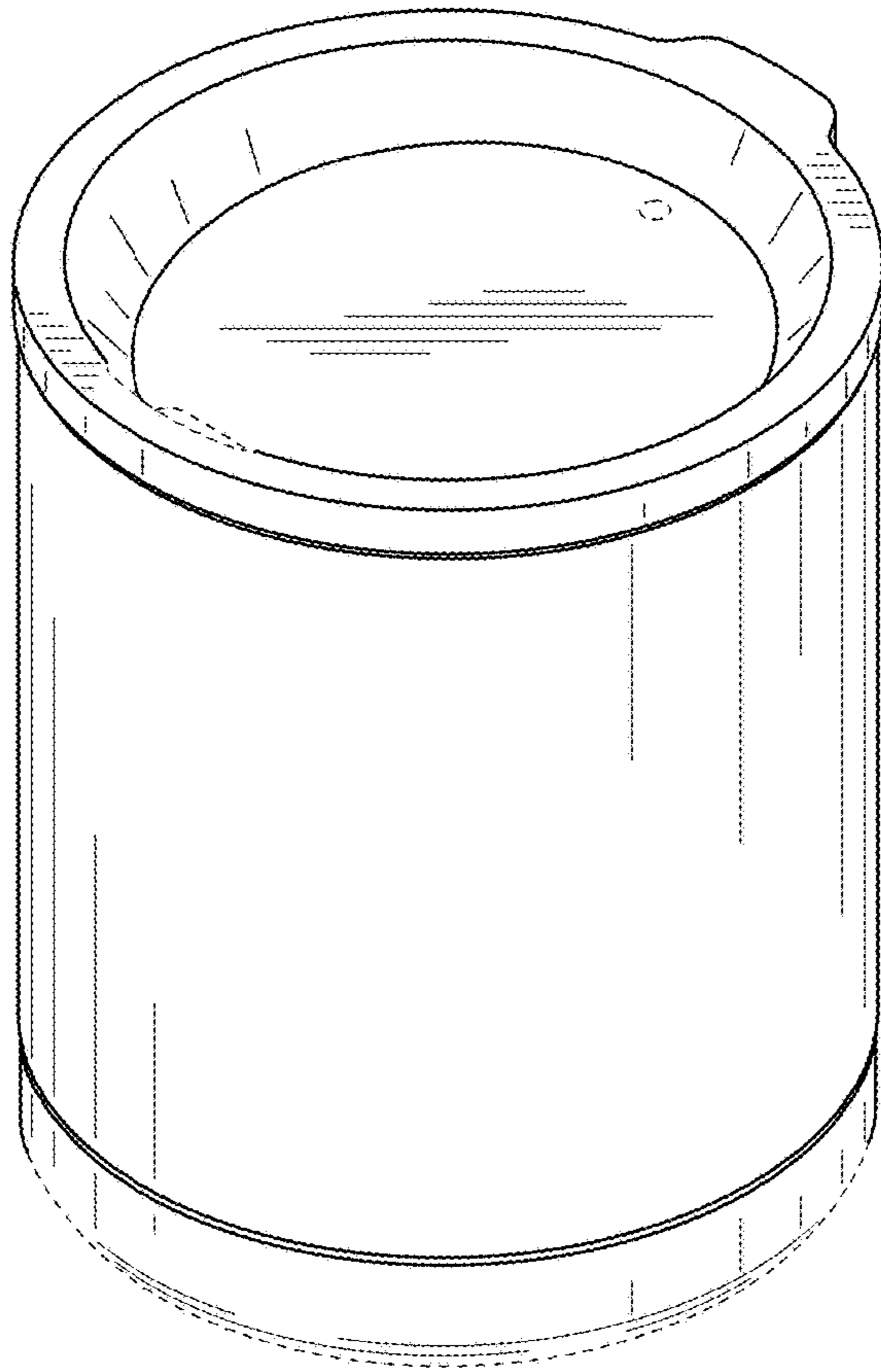


FIG. 1

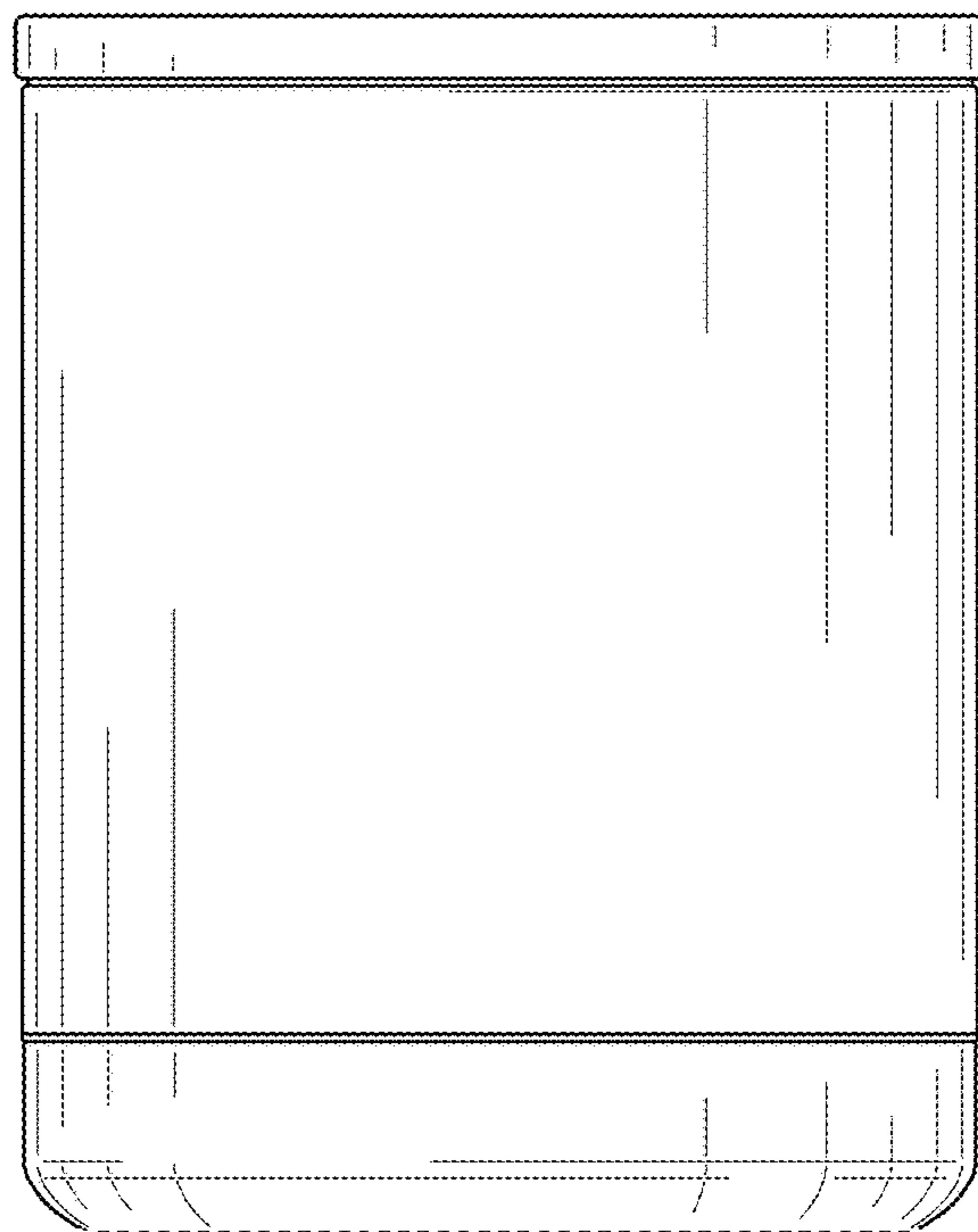


FIG. 2

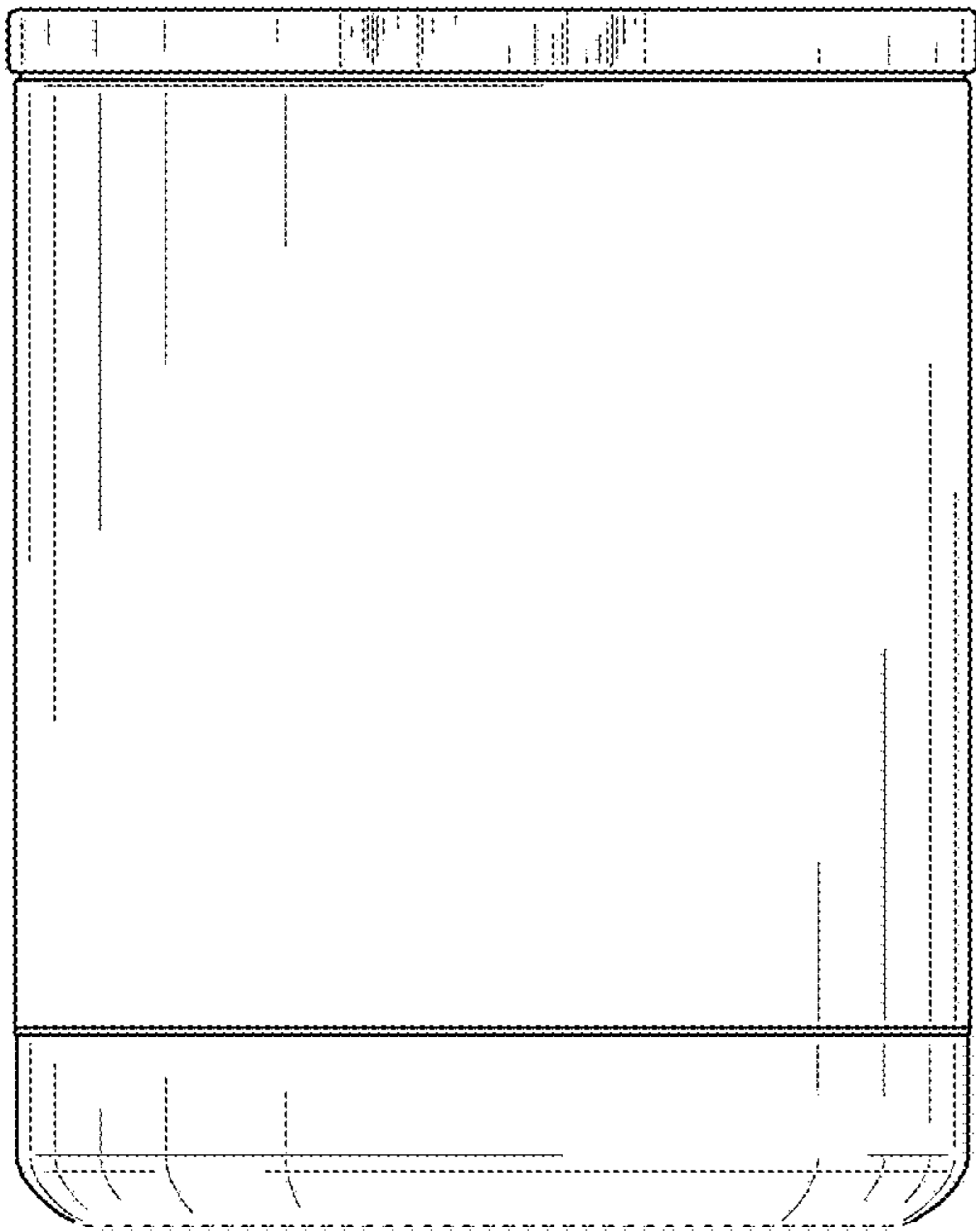


FIG. 3

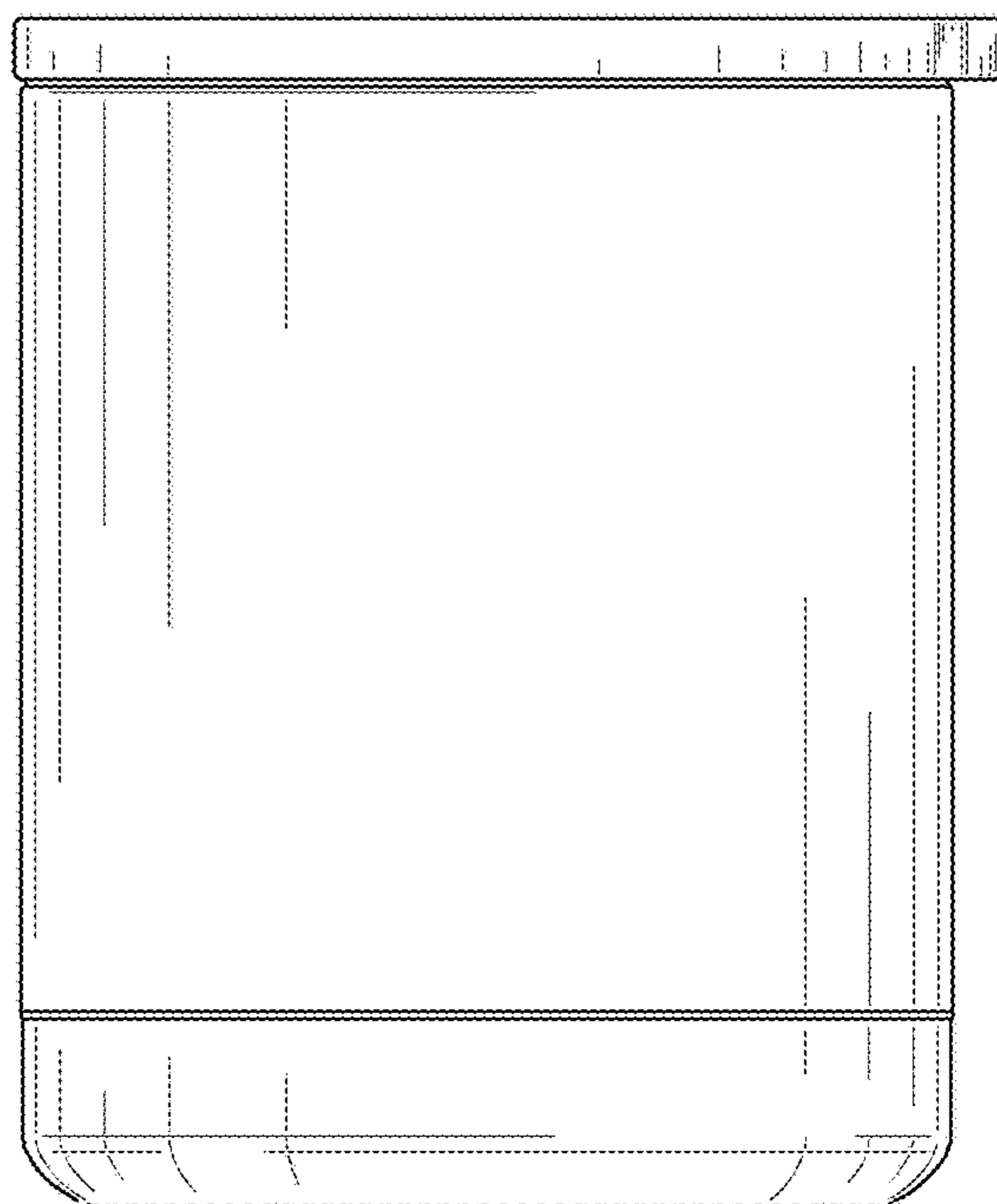


FIG. 4

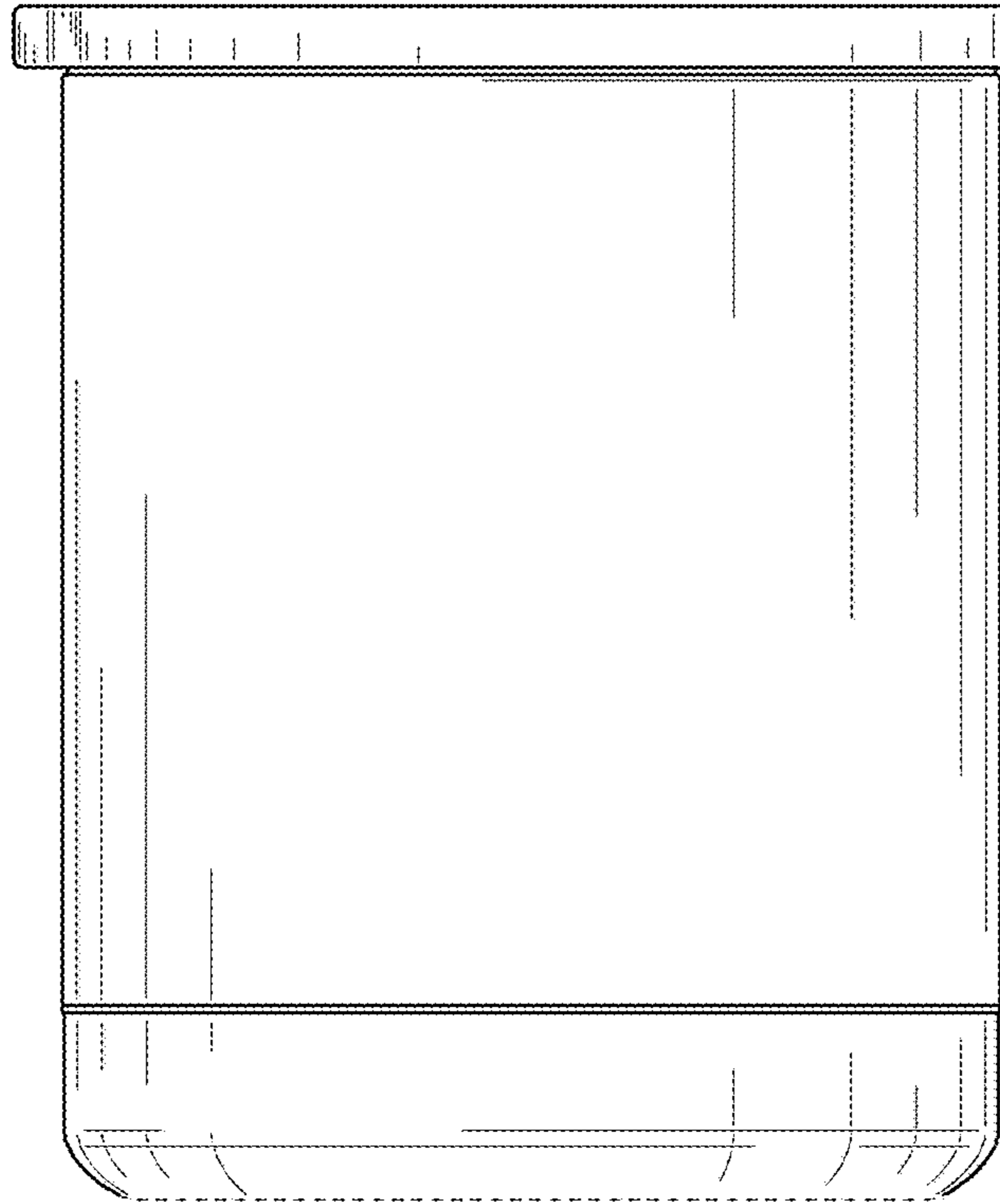


FIG. 5

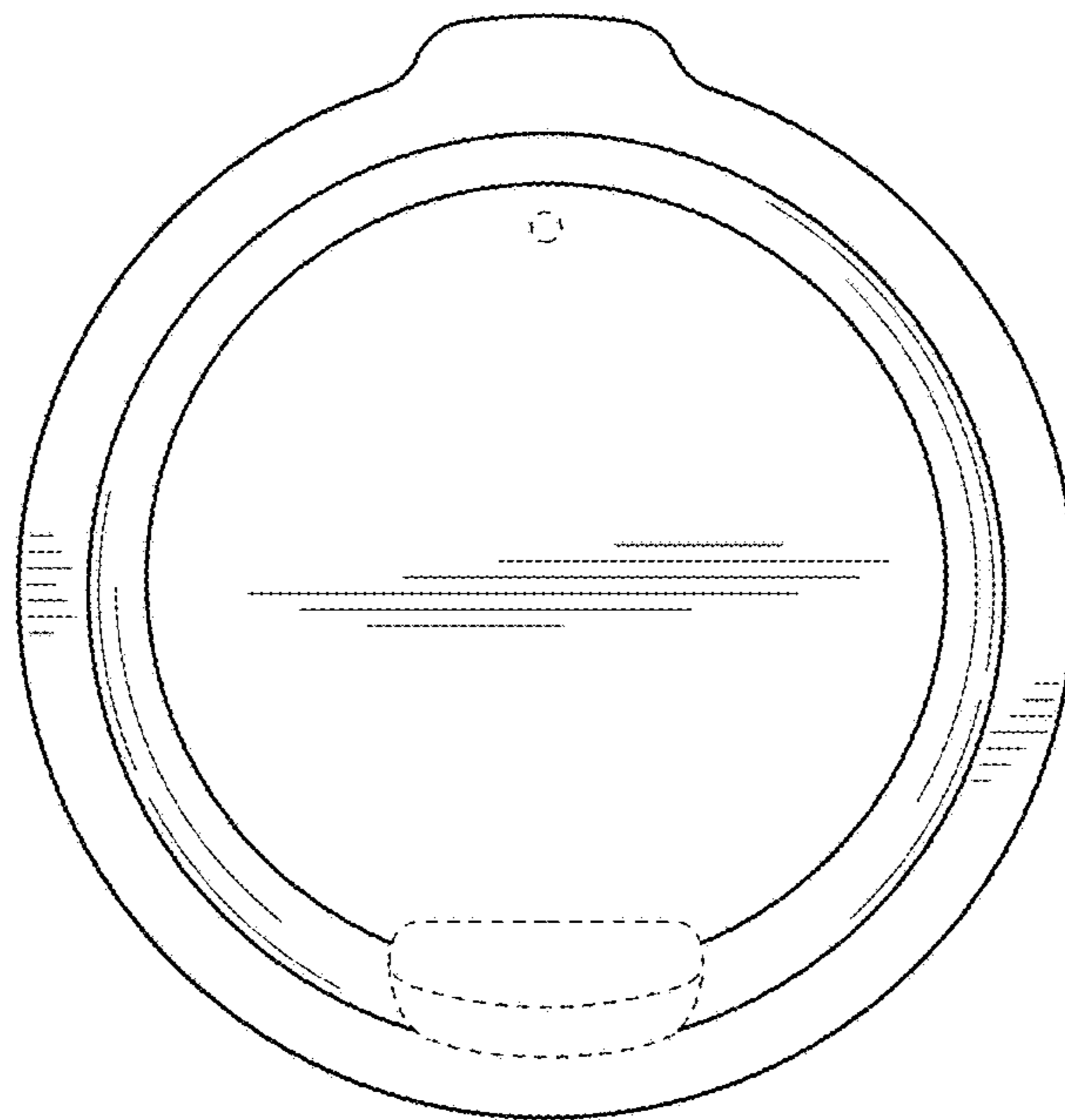


FIG. 6