



US00D842035S

(12) **United States Design Patent** (10) **Patent No.:** **US D842,035 S**
Elam (45) **Date of Patent:** **** Mar. 5, 2019**

(54) **COMBINED BUTTER STICK PLATFORM AND CORN COB REST**

FOREIGN PATENT DOCUMENTS

(71) Applicant: **Chad Elam**, Oxford, OH (US)

CA 627872 A 9/1961

Primary Examiner — Brett Miller

(72) Inventor: **Chad Elam**, Oxford, OH (US)

(74) *Attorney, Agent, or Firm* — Daniel F. Nesbitt; Hasse & Nesbitt LLC

(73) Assignee: **MIDWEST CACTUS LLC**, Oxford, OH (US)

(**) Term: **15 Years**

(57) **CLAIM**

I claim the ornamental design for a combined butter stick platform and corn cob rest, as shown and described.

(21) Appl. No.: **29/552,317**

(22) Filed: **Jan. 21, 2016**

DESCRIPTION

(51) **LOC (11) Cl.** **07-01**

(52) **U.S. Cl.**
USPC **D7/502**

(58) **Field of Classification Search**
USPC D7/502, 609, 542, 629; D30/129–131;
D9/425; 220/574; 401/11, 12
CPC A47G 19/26; A47G 19/303
See application file for complete search history.

FIG. 1 is a perspective view of a combined butter stick platform and corn cob rest.

FIG. 2 is a front view of the combination platform and rest, with the back view being a mirror image thereof.

FIG. 3 is a right side view of the combination platform and rest, with the left side view being a mirror image thereof.

FIG. 4 is a top view of the combination platform and rest.

FIG. 5 is a bottom view of the combination platform and rest.

FIG. 6 is a perspective view of an alternative embodiment of a combined butter stick platform and corn cob rest.

FIG. 7 is a front view of the alternative combination platform and rest, with the back view being a mirror image thereof.

FIG. 8 is a right side view of the alternative combination platform and rest, with the left side view being a mirror image thereof.

FIG. 9 is a top view of the alternative combination platform and rest; and,

FIG. 10 is a bottom view of the alternative combination platform and rest.

The broken lines shown in the drawings show portions of the combined butter stick platform and corn cob rest that form no part of the claimed design.

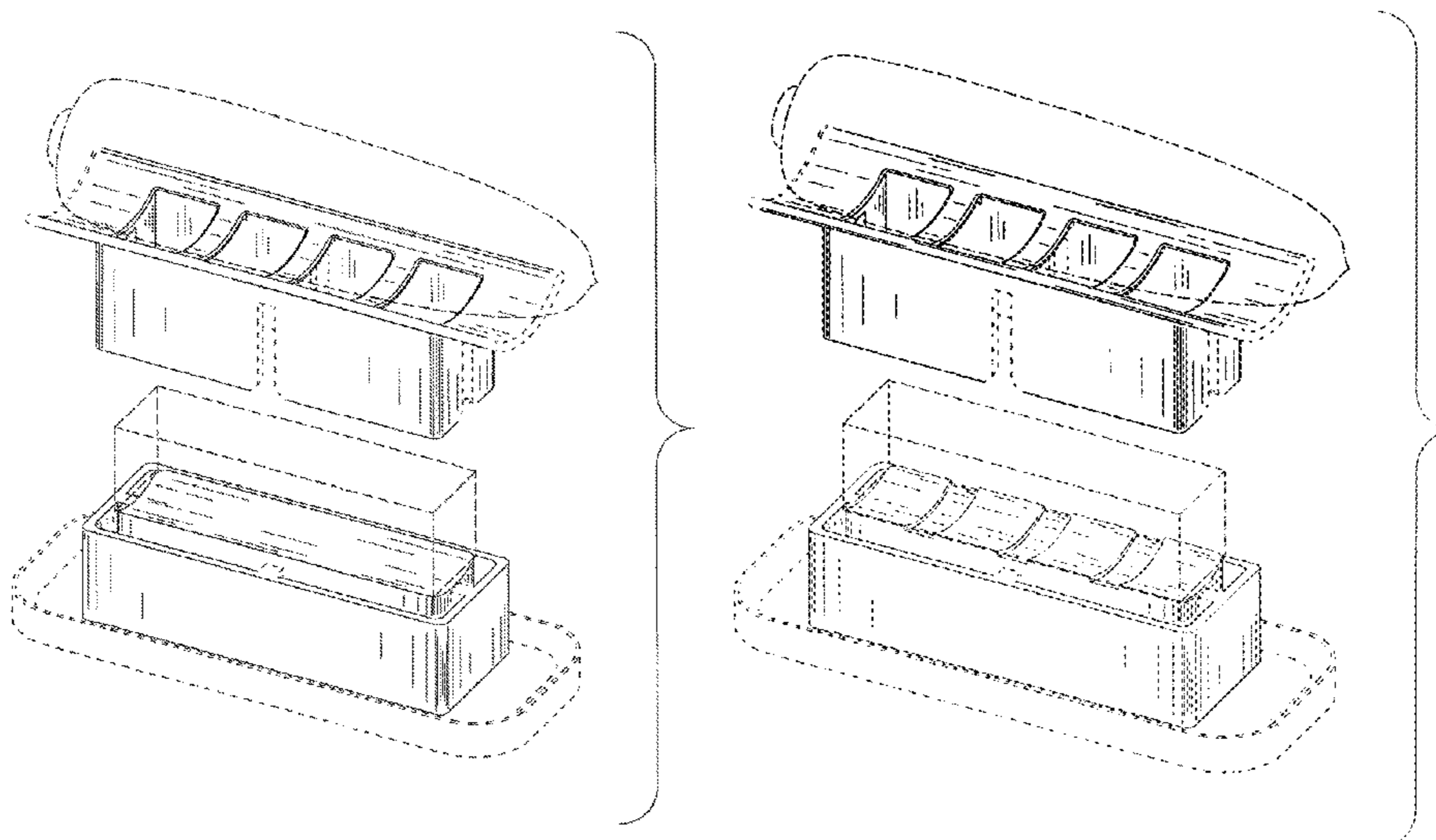
(56) **References Cited**

U.S. PATENT DOCUMENTS

1,097,465 A	5/1914	Pratt	
1,253,917 A	1/1918	Wern	
1,410,307 A	3/1922	Holcomb et al.	
1,494,018 A	5/1924	Randolph	
2,458,120 A	1/1949	Volpini	
2,478,122 A	8/1949	Mossel	
D157,183 S *	2/1950	Newell	401/12
2,527,149 A	10/1950	Peterson	
2,581,745 A	1/1952	Amorino	
2,606,364 A	8/1952	Gustafson	
2,691,877 A	10/1954	Frolich	
2,750,767 A	6/1956	Von Knauf	
2,808,020 A	10/1957	Arvidson	
2,811,844 A	11/1957	Selmer	
2,893,032 A	7/1959	Selmer	
2,903,997 A	9/1959	Hay	

(Continued)

1 Claim, 8 Drawing Sheets



(56)

References Cited

U.S. PATENT DOCUMENTS

2,948,260	A	8/1960	Lubore	
3,308,269	A	3/1967	Stocker	
3,396,697	A	8/1968	Bieser	
D217,007	S	3/1970	Smith	
3,652,171	A *	3/1972	Carlson	A47G 19/303 401/12
3,669,063	A	6/1972	Daniluke	
3,735,487	A	5/1973	Wojcik	
3,736,152	A	5/1973	Turner	
4,301,762	A	11/1981	Burnett, Jr.	
4,408,919	A	10/1983	Wolff et al.	
D272,796	S	2/1984	Wolff	
D295,597	S *	5/1988	DeVito	D7/502
D297,200	S	8/1988	DeVito	
5,421,663	A	6/1995	Bravo	
D375,661	S *	11/1996	Ross	D7/673
D397,918	S	9/1998	Martinovic	
5,858,089	A	1/1999	Martinovic	
D407,275	S	3/1999	Foster	
6,299,368	B1	10/2001	Tavularis	
6,932,530	B1	8/2005	Bissel	
7,396,176	B2	7/2008	Schoemer	
7,658,566	B2	2/2010	Wangler	
8,146,468	B1 *	4/2012	Kachelries	B26D 1/553 30/117
8,215,856	B1	7/2012	Daubach et al.	
8,573,873	B2	11/2013	Kalush	
D720,098	S *	12/2014	Septien Prieto	D30/131
2011/0194883	A1 *	8/2011	Kalush	A47G 19/303 401/12

* cited by examiner

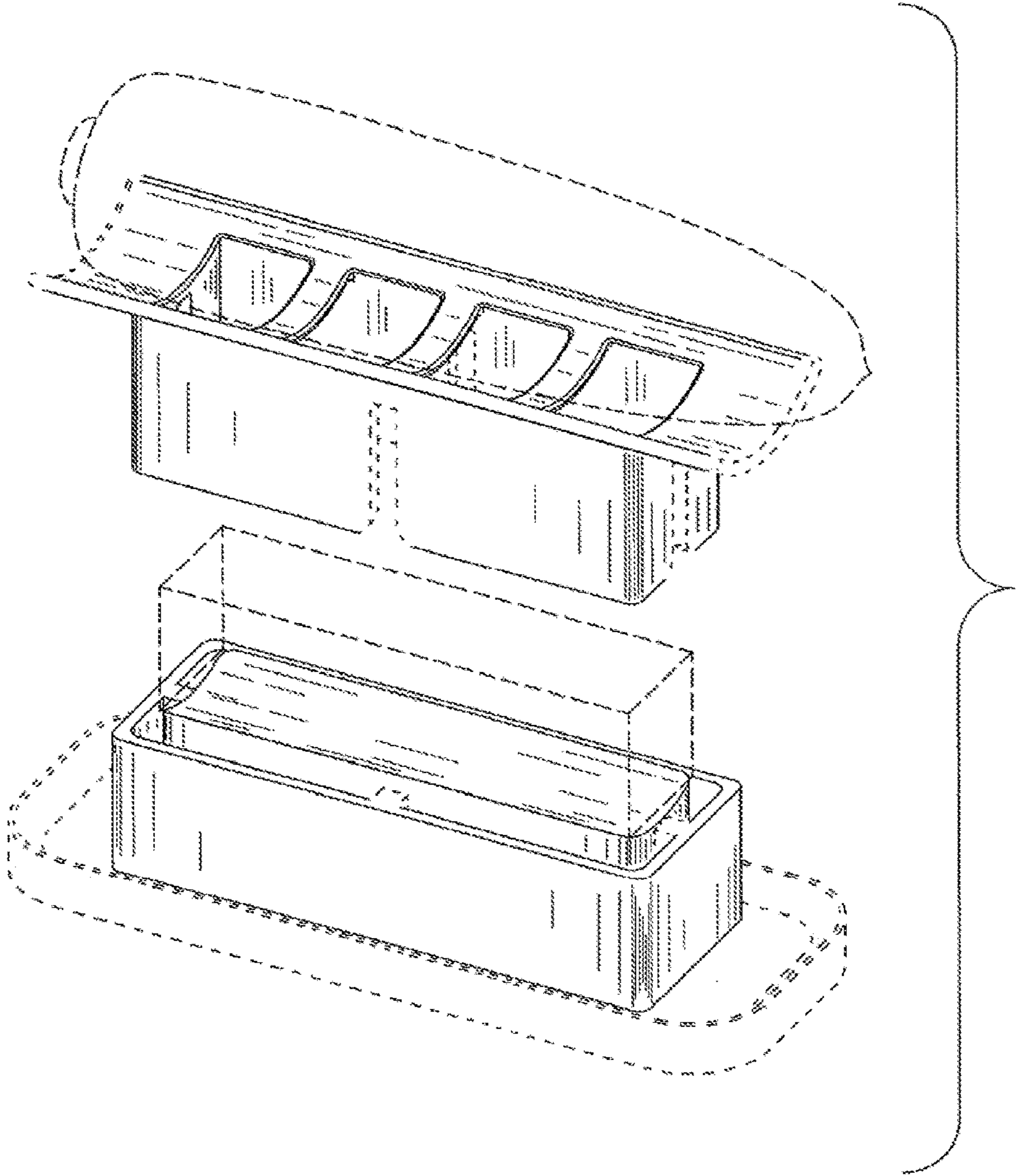


FIG. 1

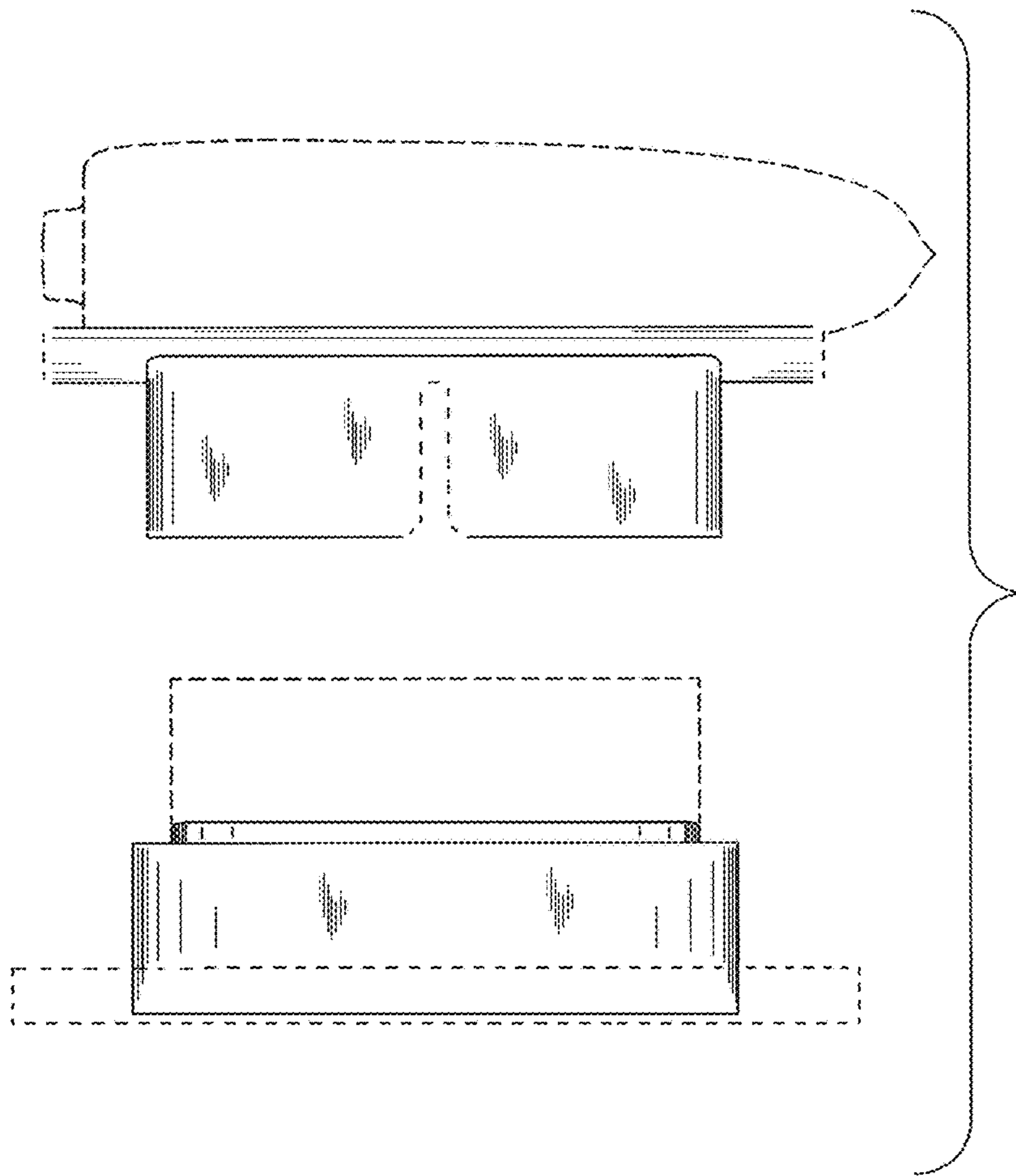


FIG. 2

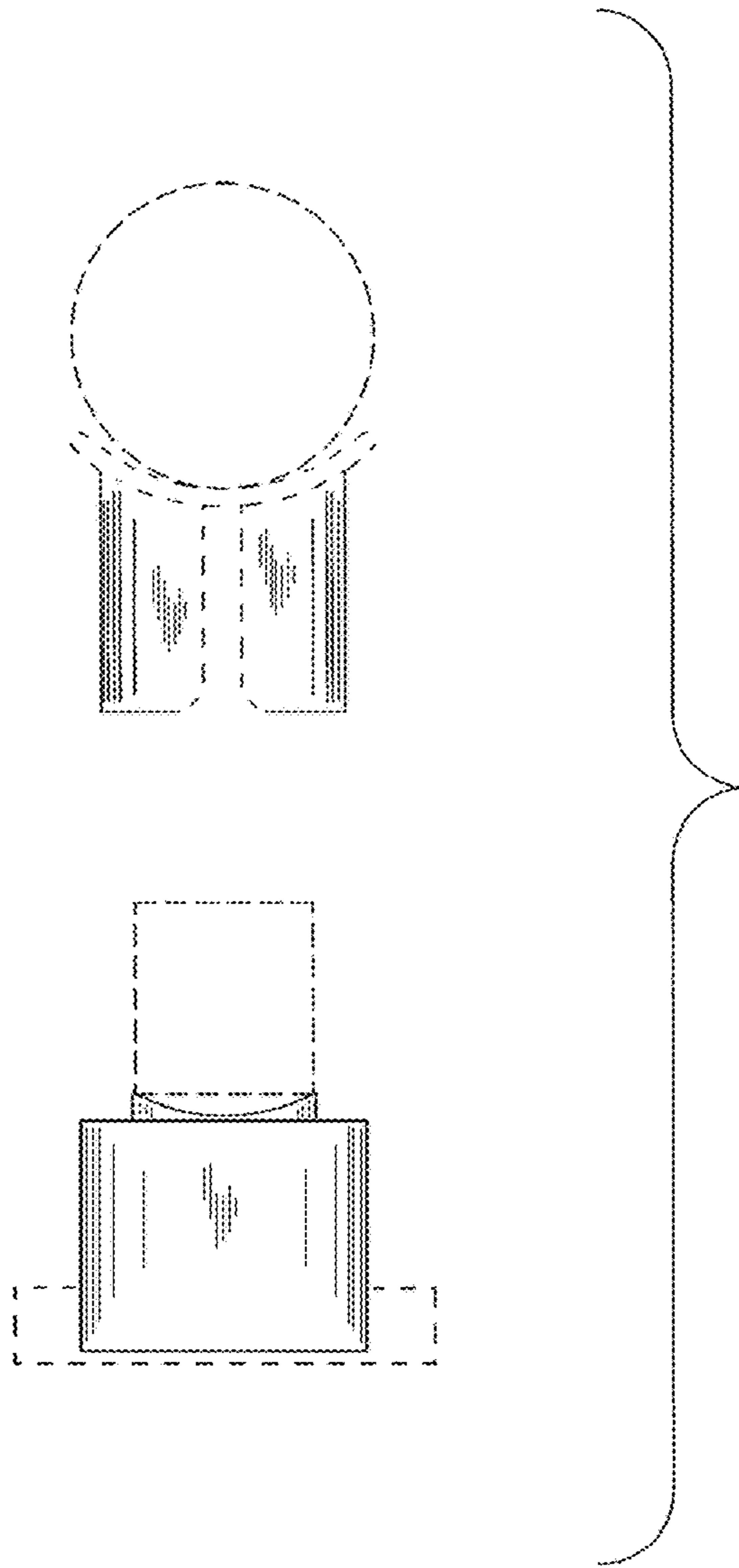


FIG. 3

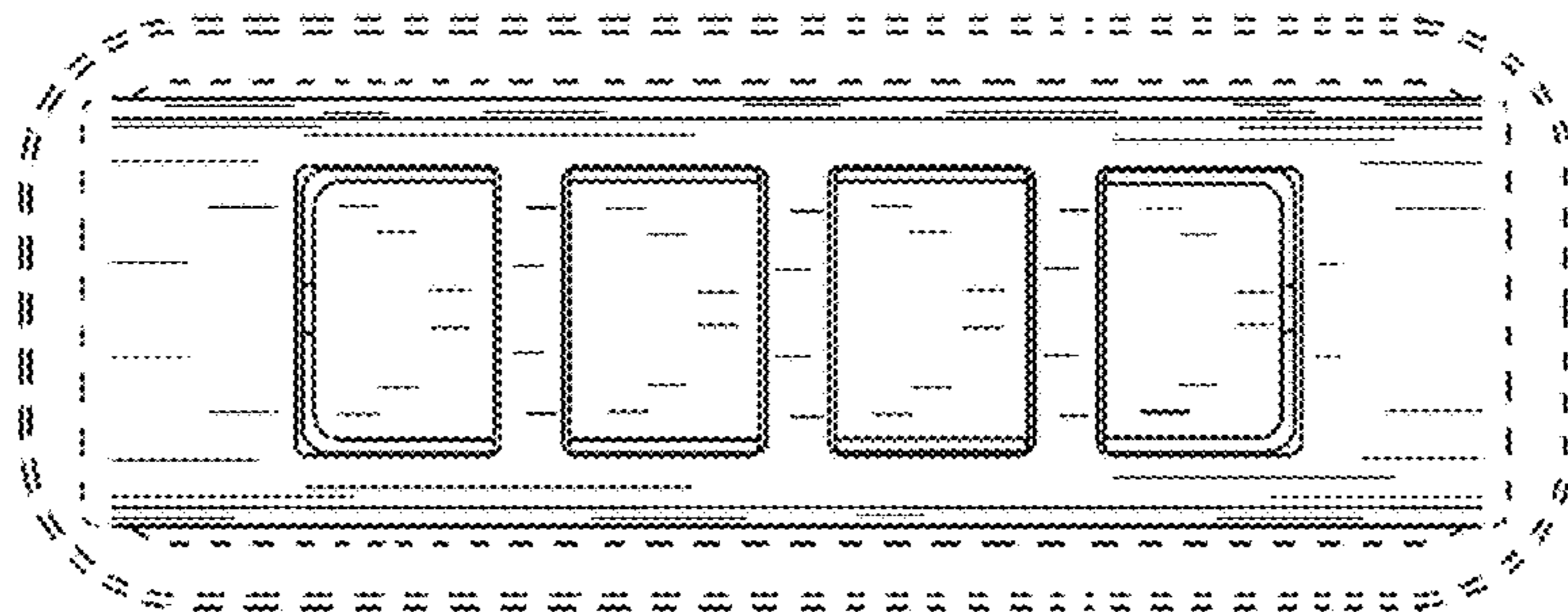


FIG. 4

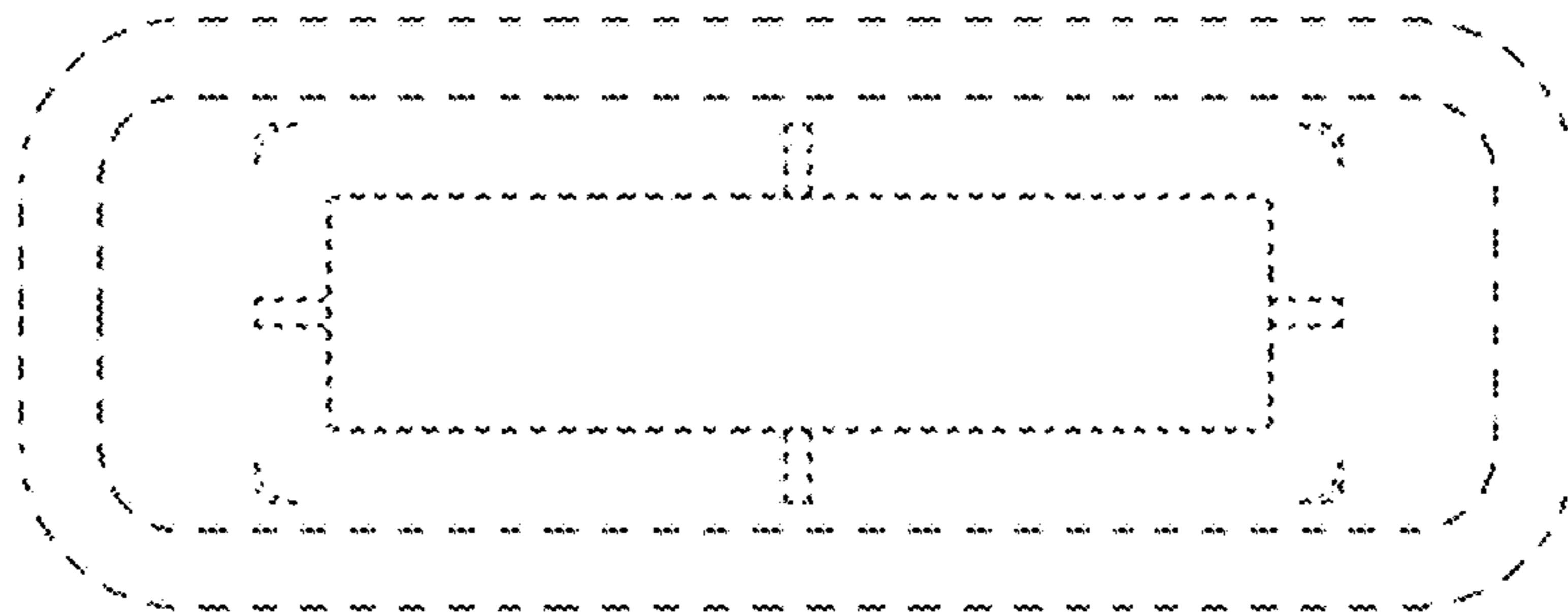


FIG. 5

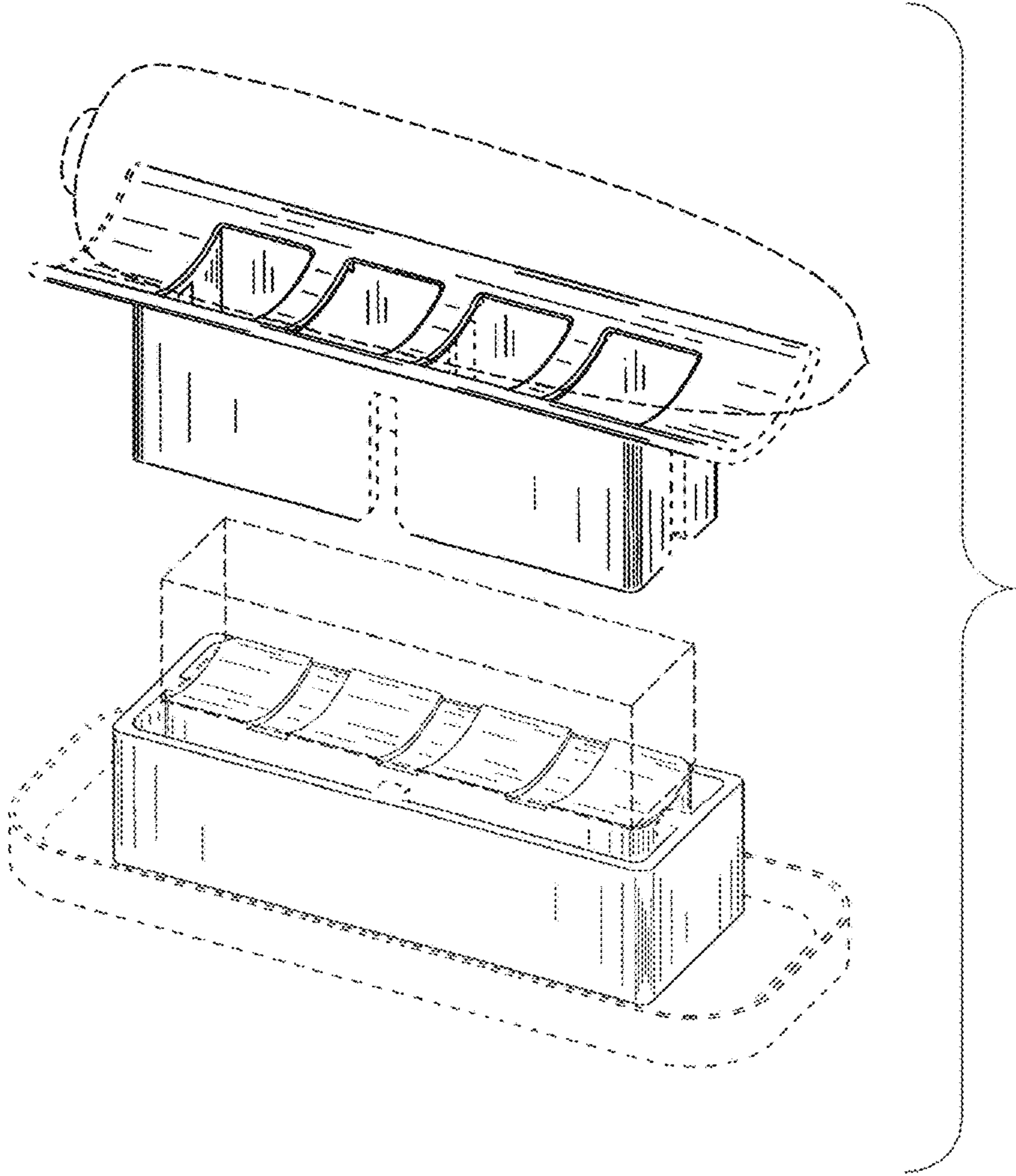


FIG. 6

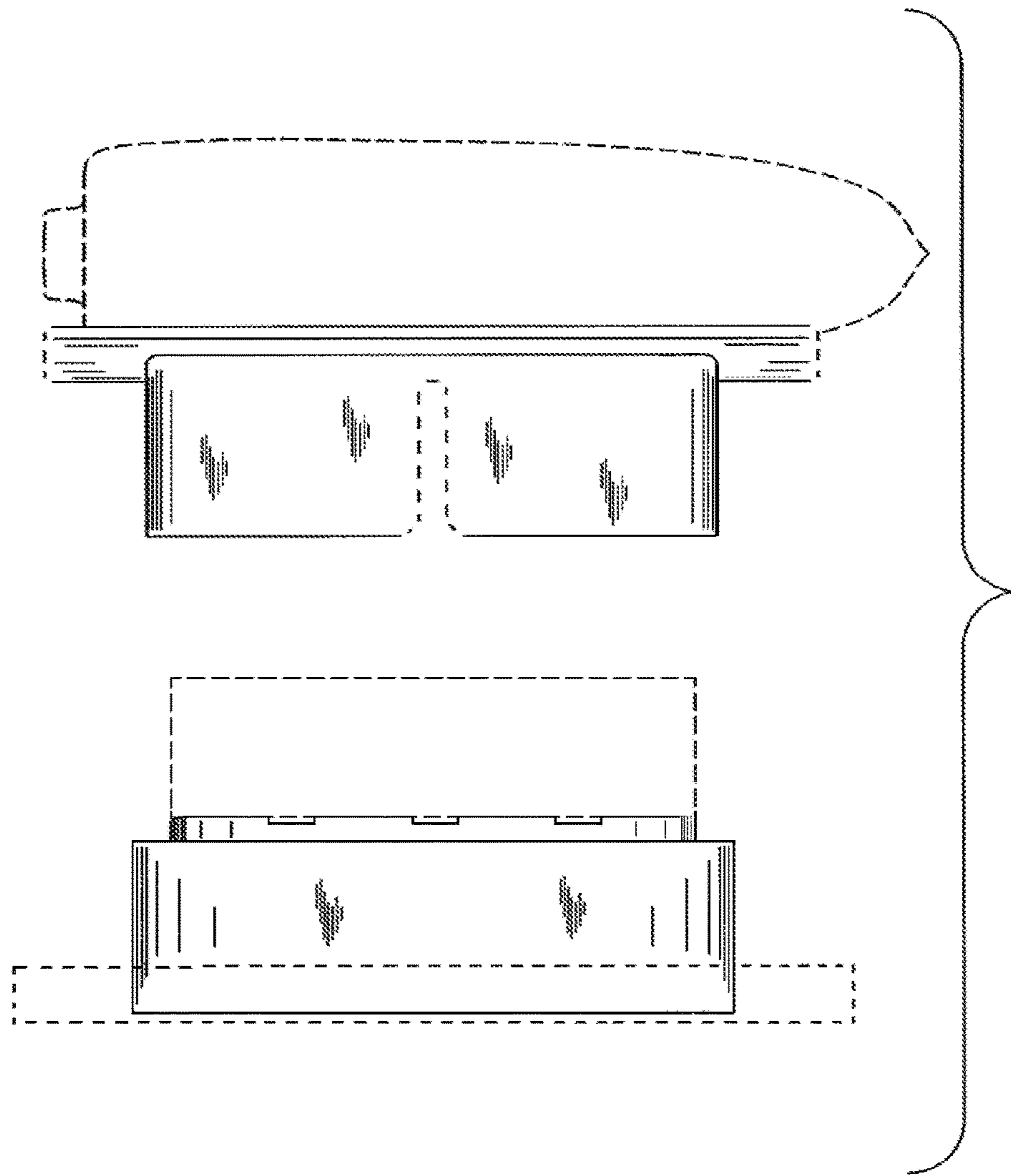


FIG. 7

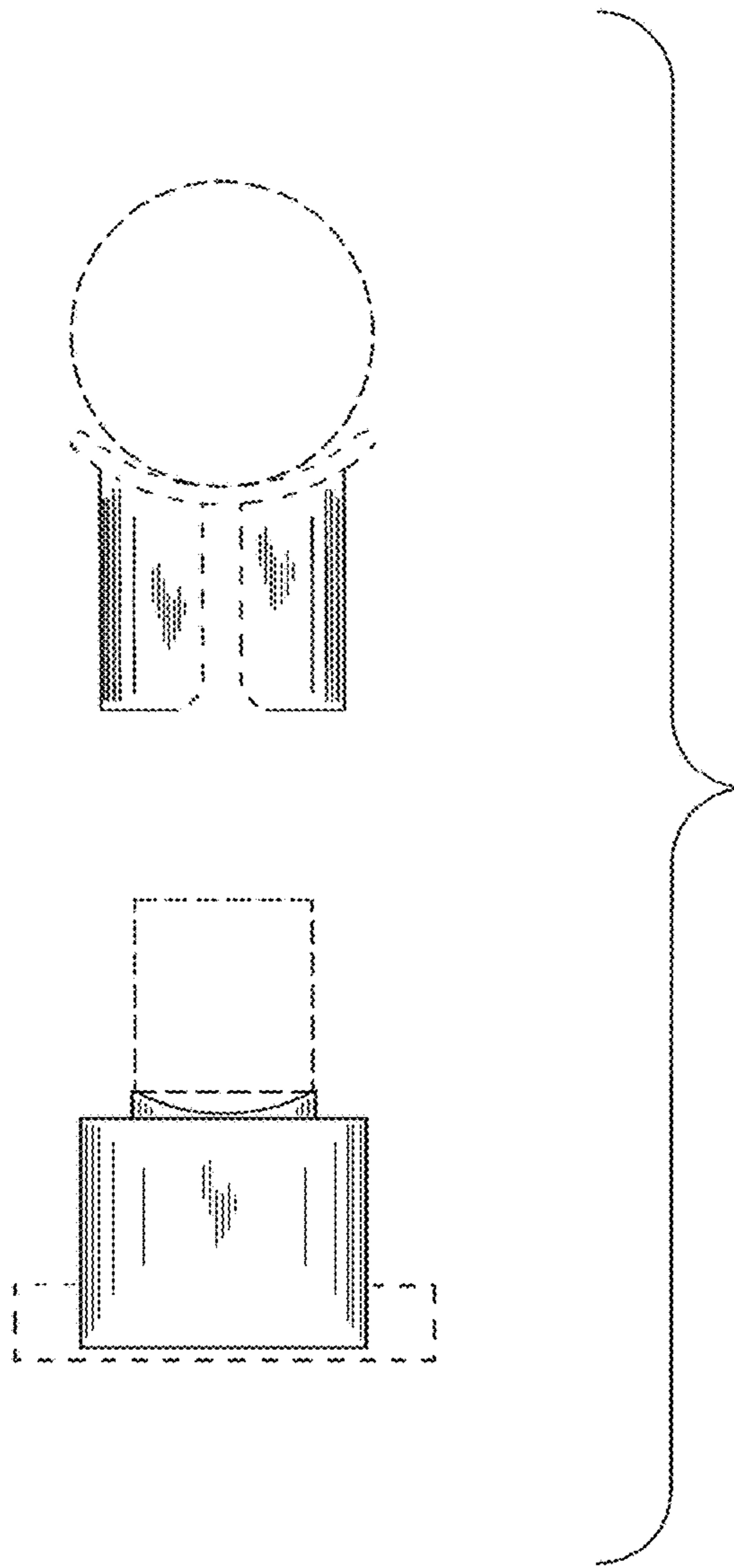


FIG. 8

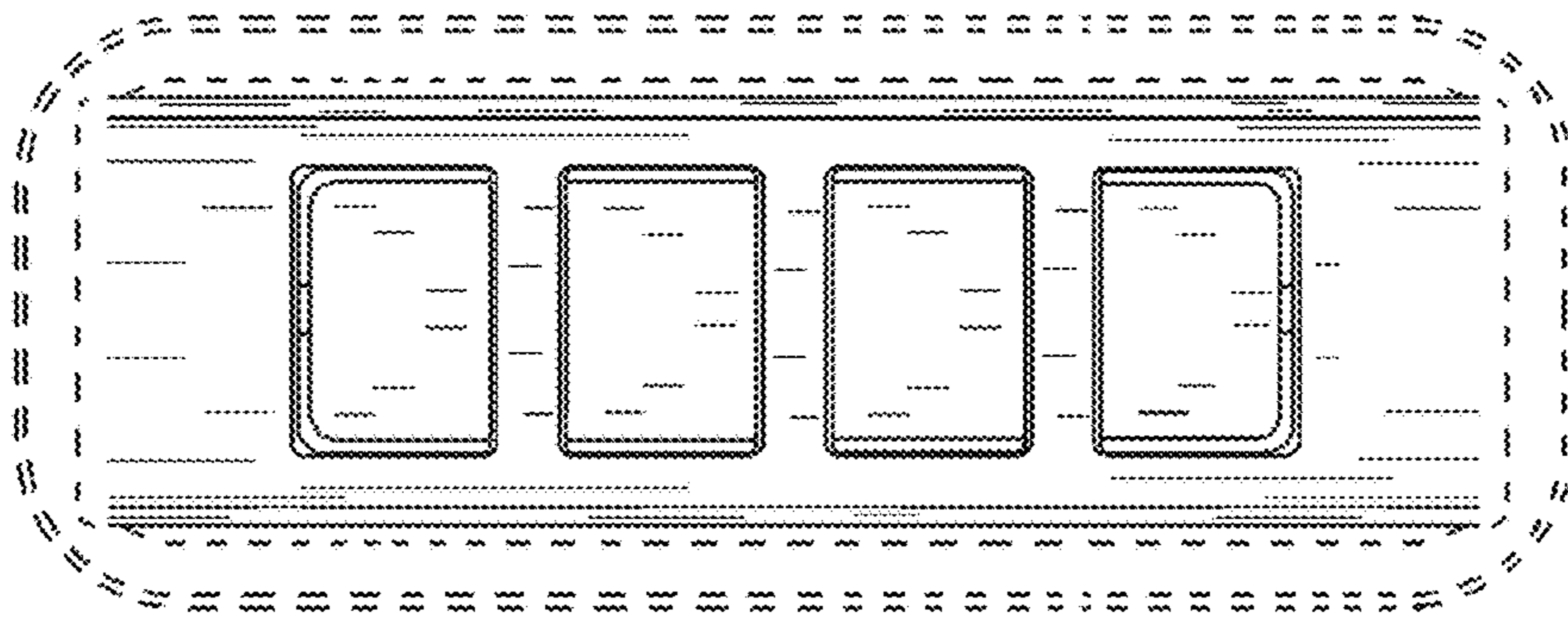


FIG. 9

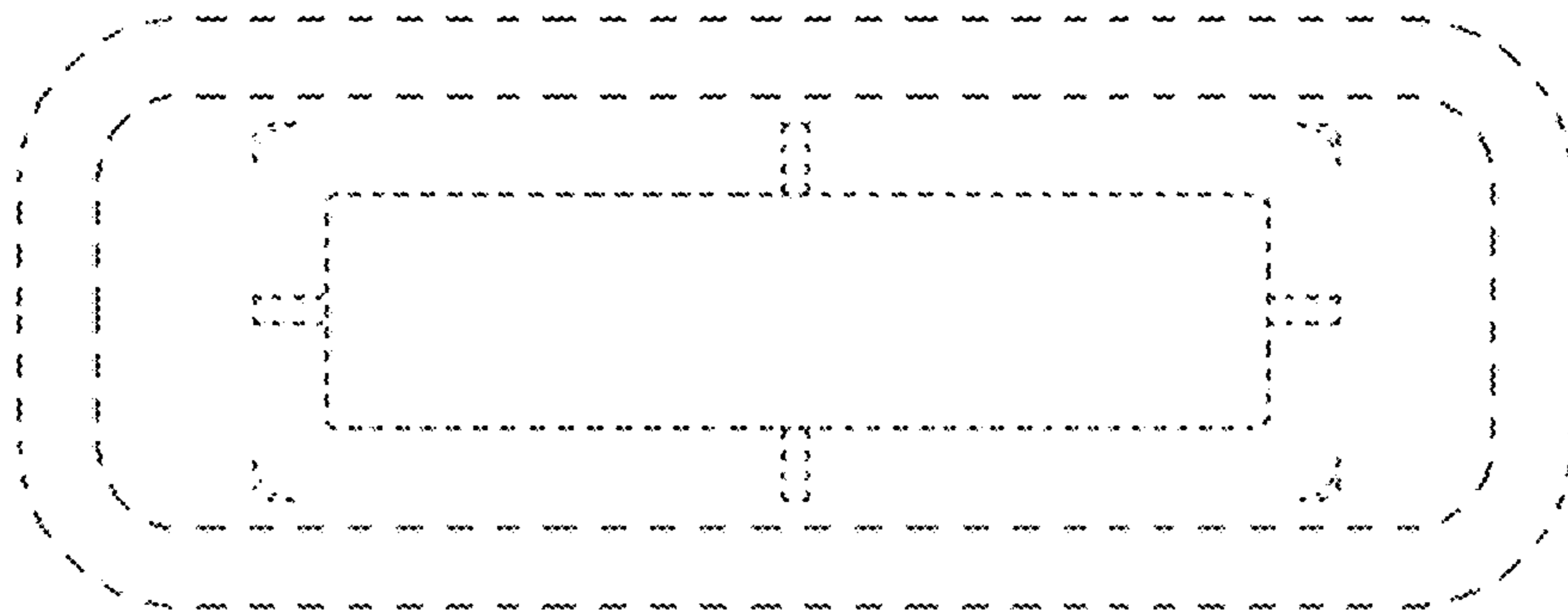


FIG. 10