



US00D842034S

(12) **United States Design Patent**
Barry

(10) **Patent No.:** **US D842,034 S**

(45) **Date of Patent:** **** Mar. 5, 2019**

(54) **GLASS DOOR FOR OUTDOOR OVEN**
(71) Applicant: **UNITED STATES STOVE COMPANY**, South Pittsburg, TN (US)

8,061,348 B1 * 11/2011 Rodriguez F24B 1/182
126/1 B
8,869,788 B2 * 10/2014 Brooks F24B 5/026
126/112
D720,569 S * 1/2015 Hill D7/334

(72) Inventor: **Brandon Lane Barry**, Sewanee, TN (US)

OTHER PUBLICATIONS

(73) Assignee: **United States Stove Company**, South Pittsburg, TN (US)

HomComfort HCP16SS, by HomComfort, Amazon [online], oldest review date Oct. 26, 2016, [retrieved on Jul. 3, 2017]. Retrieved from the Internet URL: https://www.amazon.com/HomComfort-HCP16SS-Stainless-Steel-Pizza/dp/B00DGQOYIO/ref=sr_1_1?ie=UTF8&qid=1499111450&sr=8-1&keywords=Homcomfort+Stainless+Gas+Pizza+Oven.*

(**) Term: **15 Years**

* cited by examiner

(21) Appl. No.: **29/535,468**

(22) Filed: **Aug. 6, 2015**

Primary Examiner — Sheryl Lane

(51) **LOC (11) Cl.** **07-02**

Assistant Examiner — Nicole C Shiflet

(52) **U.S. Cl.**
USPC **D7/405**

(74) *Attorney, Agent, or Firm* — Pitchford Fugett, PLLC; Mark A. Pitchford; Eric B. Fugett

(58) **Field of Classification Search**
USPC D7/402–409, 332–337; D23/386, 320, D23/327

(57) **CLAIM**

CPC F24C 15/02; F24C 15/04; F24C 15/045; F24C 15/028; F24C 15/021

What is claimed is the ornamental design for a glass door for outdoor oven, as shown and described.

See application file for complete search history.

DESCRIPTION

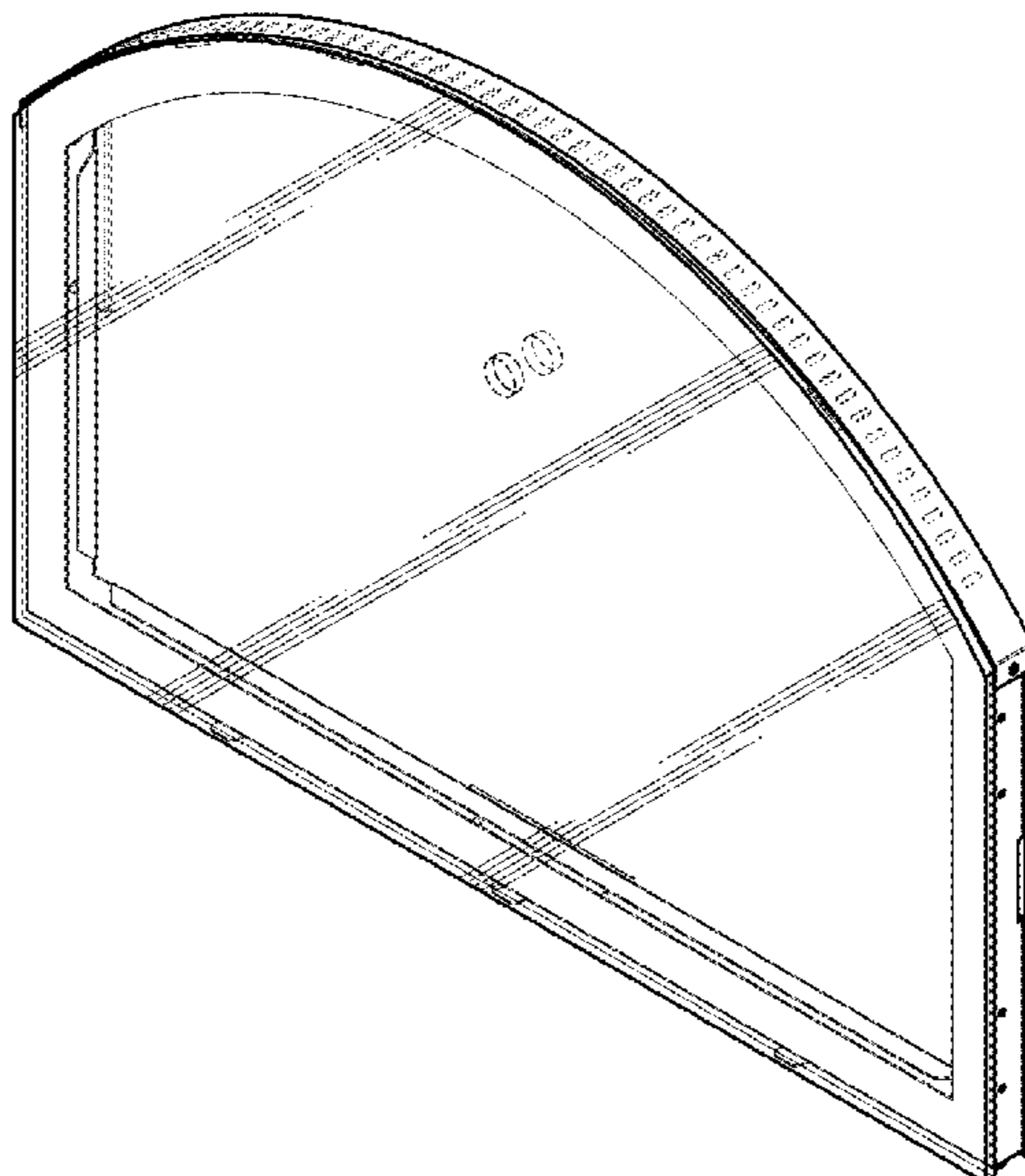
(56) **References Cited**

U.S. PATENT DOCUMENTS

526,974 A * 10/1894 Knauss F24C 15/02
126/190
D36,732 S * 1/1904 Printz D7/405
D42,393 S * 4/1912 Henry D7/405
D260,033 S * 7/1981 Syme D23/386
D260,286 S * 8/1981 Syme D23/386
D269,036 S * 5/1983 Bortz D23/386
D272,384 S * 1/1984 Rumens D23/386
D292,020 S * 9/1987 Rumens D23/347
D534,766 S * 1/2007 Logan D7/405
D637,860 S * 5/2011 Petty D7/333

FIG. 1 is a front top isometric view of a glass door for outdoor oven showing Applicant's invention; FIG. 2 is a bottom rear isometric view thereof; FIG. 3 is a front elevation view thereof; FIG. 4 is a left side view thereof; FIG. 5 is a right side view thereof; FIG. 6 is a top view thereof; FIG. 7 is a bottom view thereof; FIG. 8 is a rear elevation view thereof; and, FIG. 9 is a front elevation view of the glass door for outdoor oven shown in an exemplary oven environment. The broken lines showing portions of the article and environment form no part of the claimed design.

1 Claim, 4 Drawing Sheets



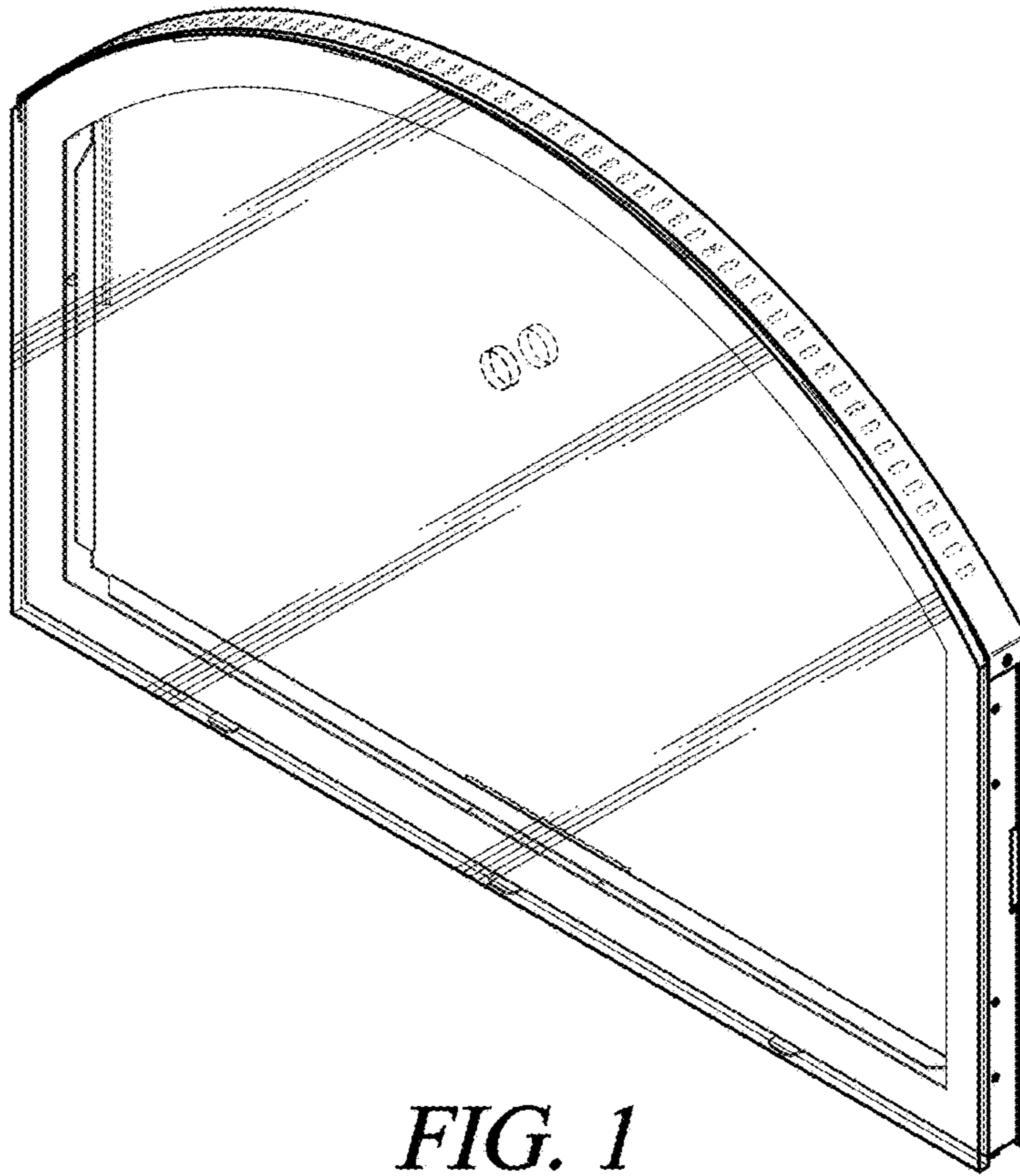


FIG. 1

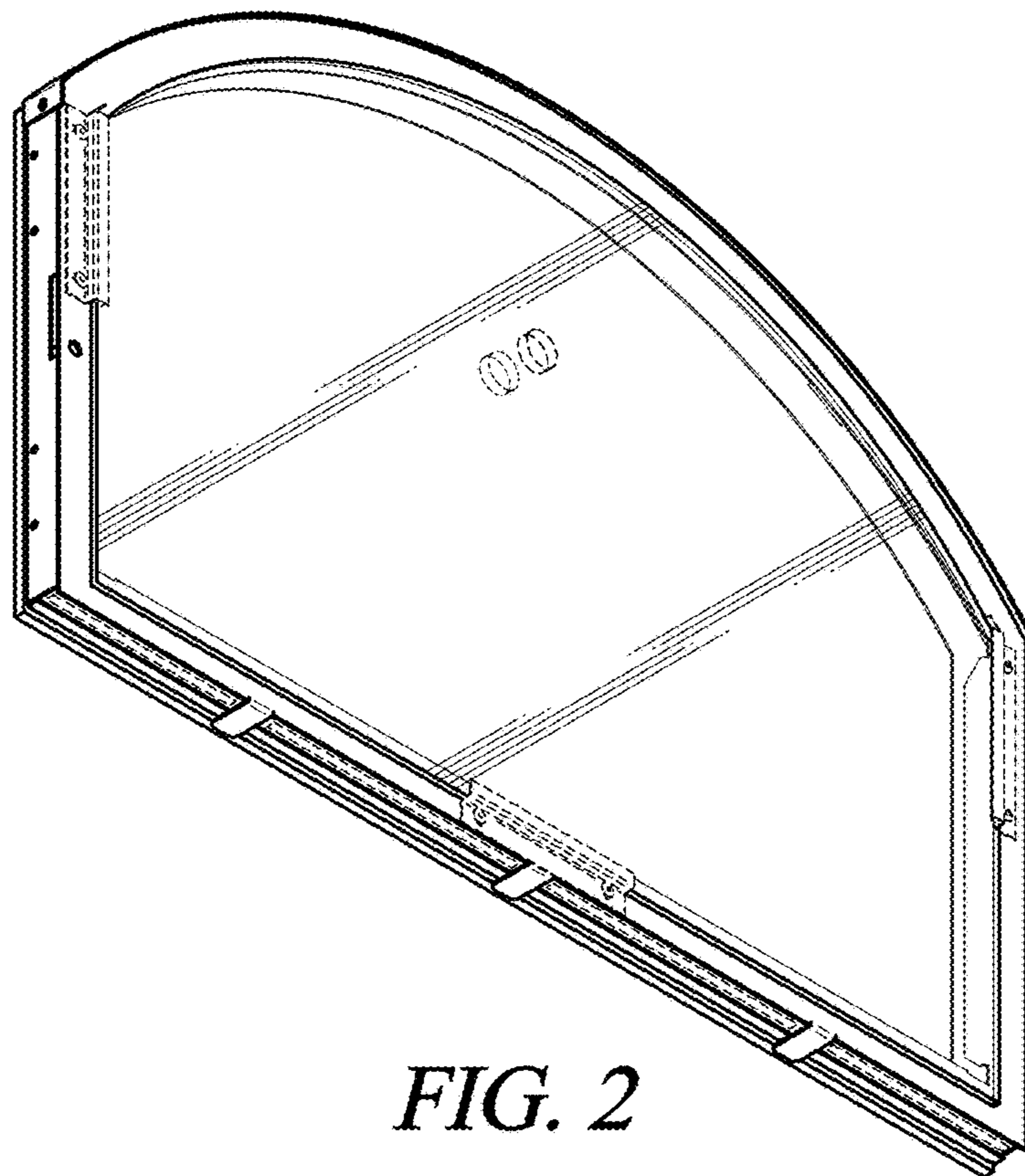


FIG. 2



FIG. 6

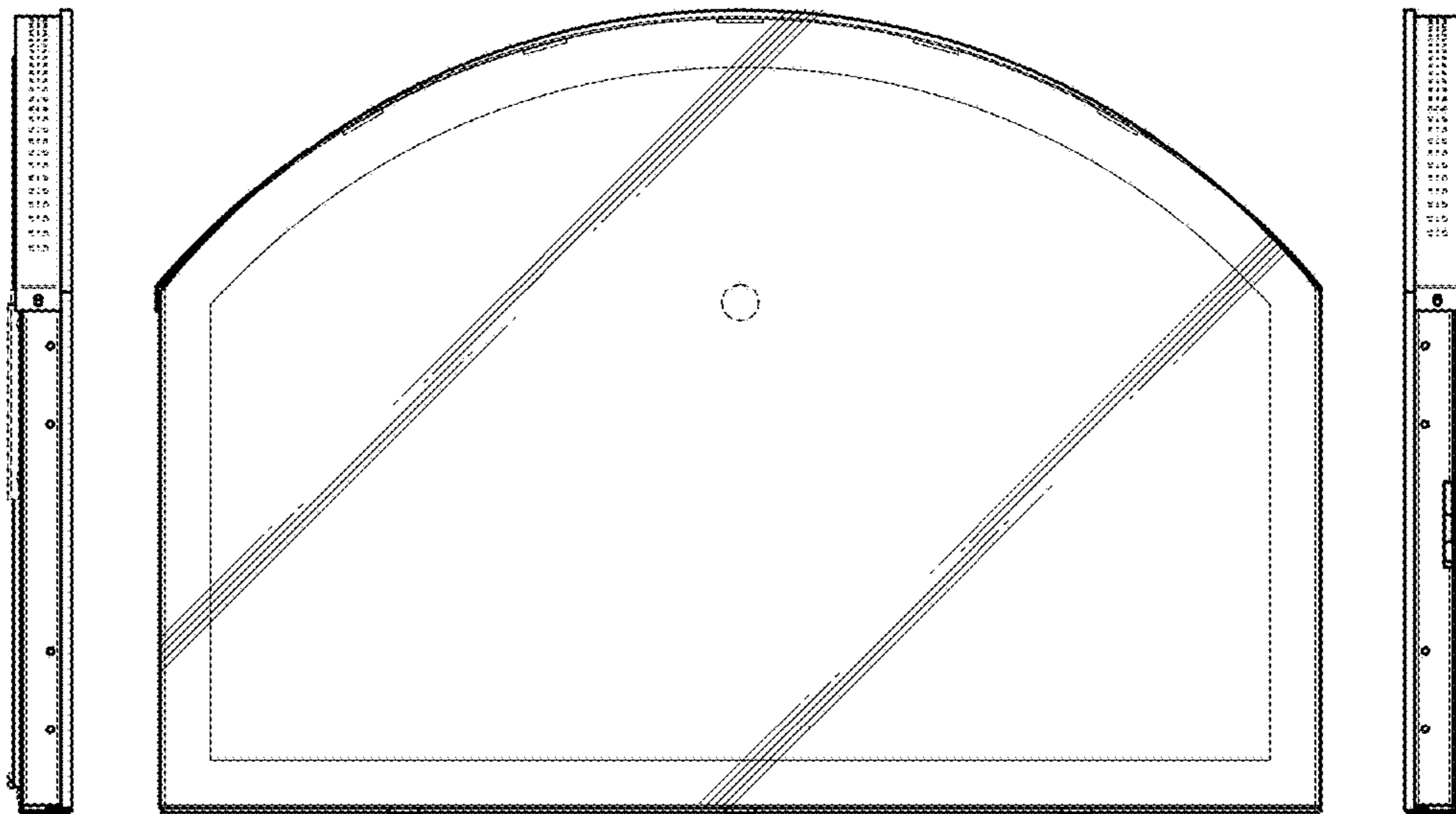


FIG. 4

FIG. 3

FIG. 5



FIG. 7

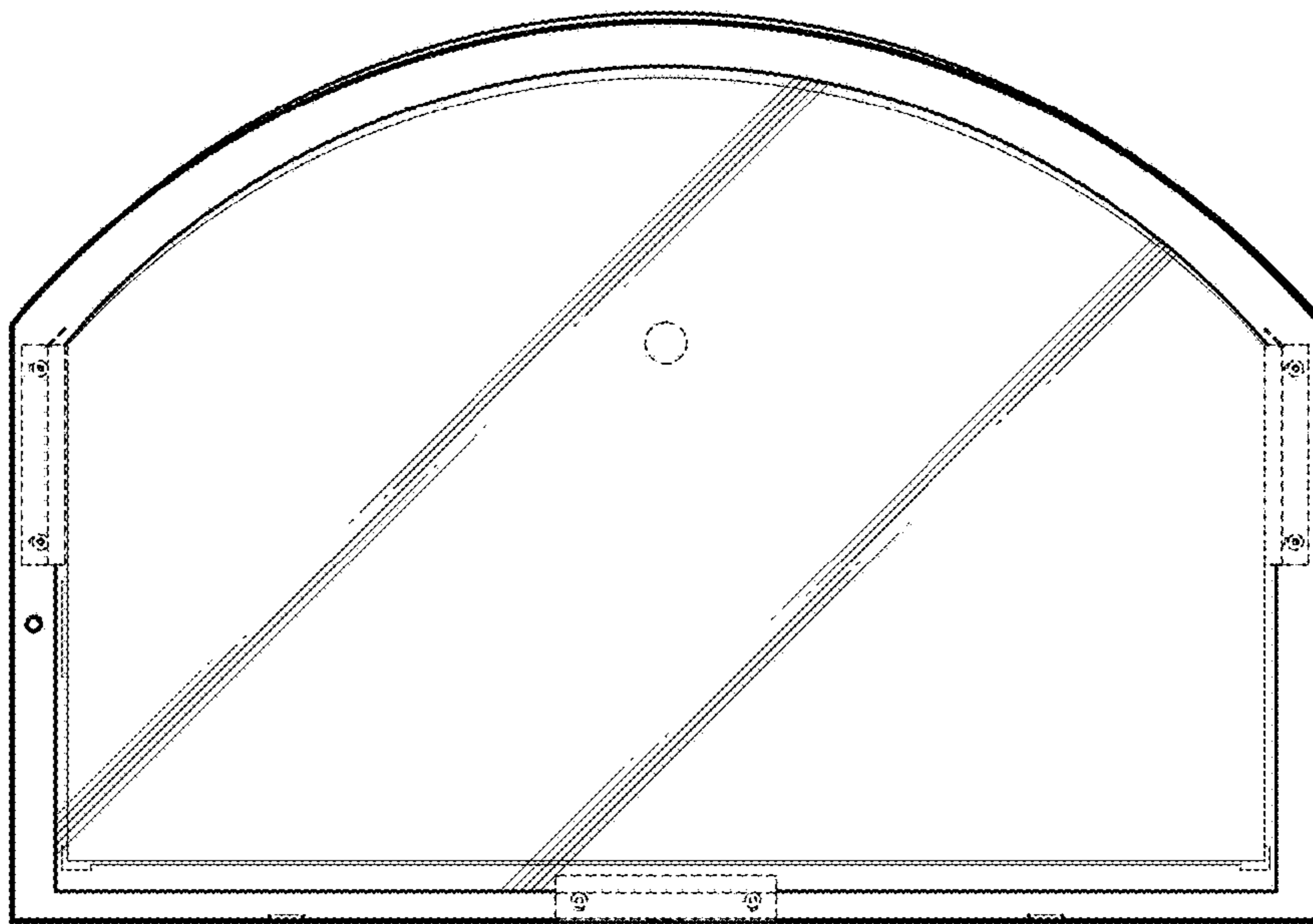


FIG. 8

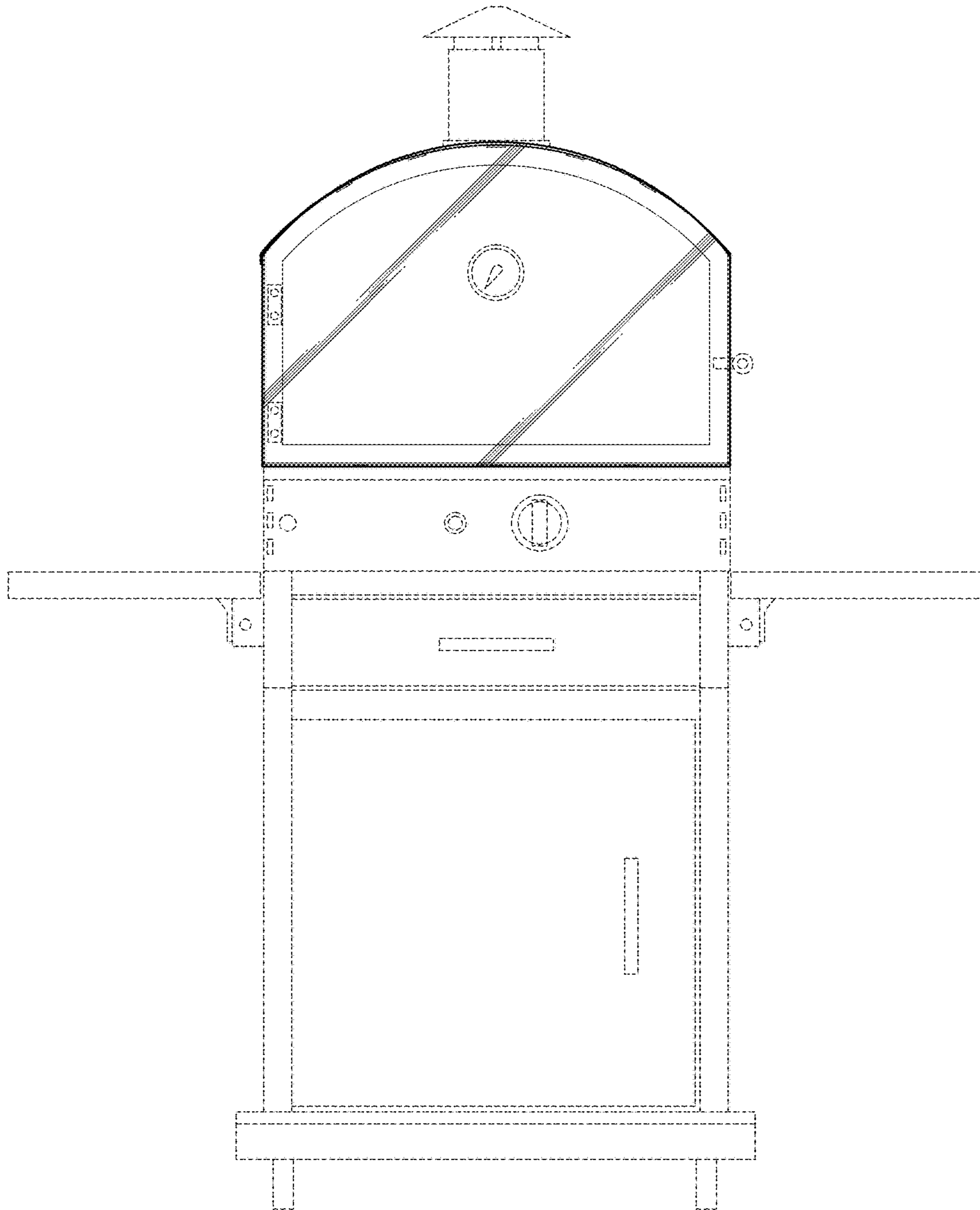


FIG. 9

+