



US00D842032S

(12) **United States Design Patent** (10) **Patent No.:** **US D842,032 S**  
**Thomas et al.** (45) **Date of Patent:** **\*\* Mar. 5, 2019**

- (54) **BEVERAGE CARTRIDGE**
- (71) Applicant: **Keurig Green Mountain, Inc.**,  
Burlington, MA (US)
- (72) Inventors: **Robert Brian Thomas**, Amesbury, MA  
(US); **Luca Theo Holme**, Stoneham,  
MA (US); **Leung Chi Wah**, Hong  
Kong (CN)
- (73) Assignee: **Keurig Green Mountain, Inc.**,  
Burlington, MA (US)
- (\*\*) Term: **15 Years**
- (21) Appl. No.: **29/621,911**
- (22) Filed: **Oct. 12, 2017**
- (51) **LOC (11) Cl.** ..... **07-99**
- (52) **U.S. Cl.**  
USPC ..... **D7/400**
- (58) **Field of Classification Search**  
USPC ..... D7/300, 302, 303, 305, 397, 399,  
D7/316-319, 321, 400, 401, 600, 602,  
D7/619.1, 667; D9/516, 523, 524, 527,  
D9/528; D23/209, 212  
CPC ..... A47J 27/21058; A47J 31/40; A47J 31/41;  
A47J 31/44; A47J 47/00; A47G 19/12;  
A47G 19/14; A47G 19/145; B01D 35/02;  
B65B 39/00; B65D 47/06  
See application file for complete search history.

- D796,898 S \* 9/2017 Robotti ..... D7/400  
9,801,494 B2 \* 10/2017 Castellani ..... A47J 31/0647  
D803,349 S \* 11/2017 Zou ..... D23/209  
9,938,075 B2 \* 4/2018 Trombley ..... B65D 85/8046  
9,986,869 B2 \* 6/2018 Bonacci ..... A47J 31/0647  
D823,052 S \* 7/2018 Neace, Jr. .... D7/400

**OTHER PUBLICATIONS**

U.S. Appl. No. 29/621,913, filed Oct. 12, 2017.  
 [No Author Listed] K200 My K-Cup Use & Care Guide, publicly  
 available prior to Oct. 1, 2016, 1 page.  
 [No Author Listed] Photograph of Keurig My K-Cup 2.0, publicly  
 available prior to Oct. 1, 2016, 1 page.

\* cited by examiner

*Primary Examiner* — Derrick E Holland  
*Assistant Examiner* — Andrew Kerr  
 (74) *Attorney, Agent, or Firm* — Wolf, Greenfield &  
 Sacks, P.C.

(57) **CLAIM**

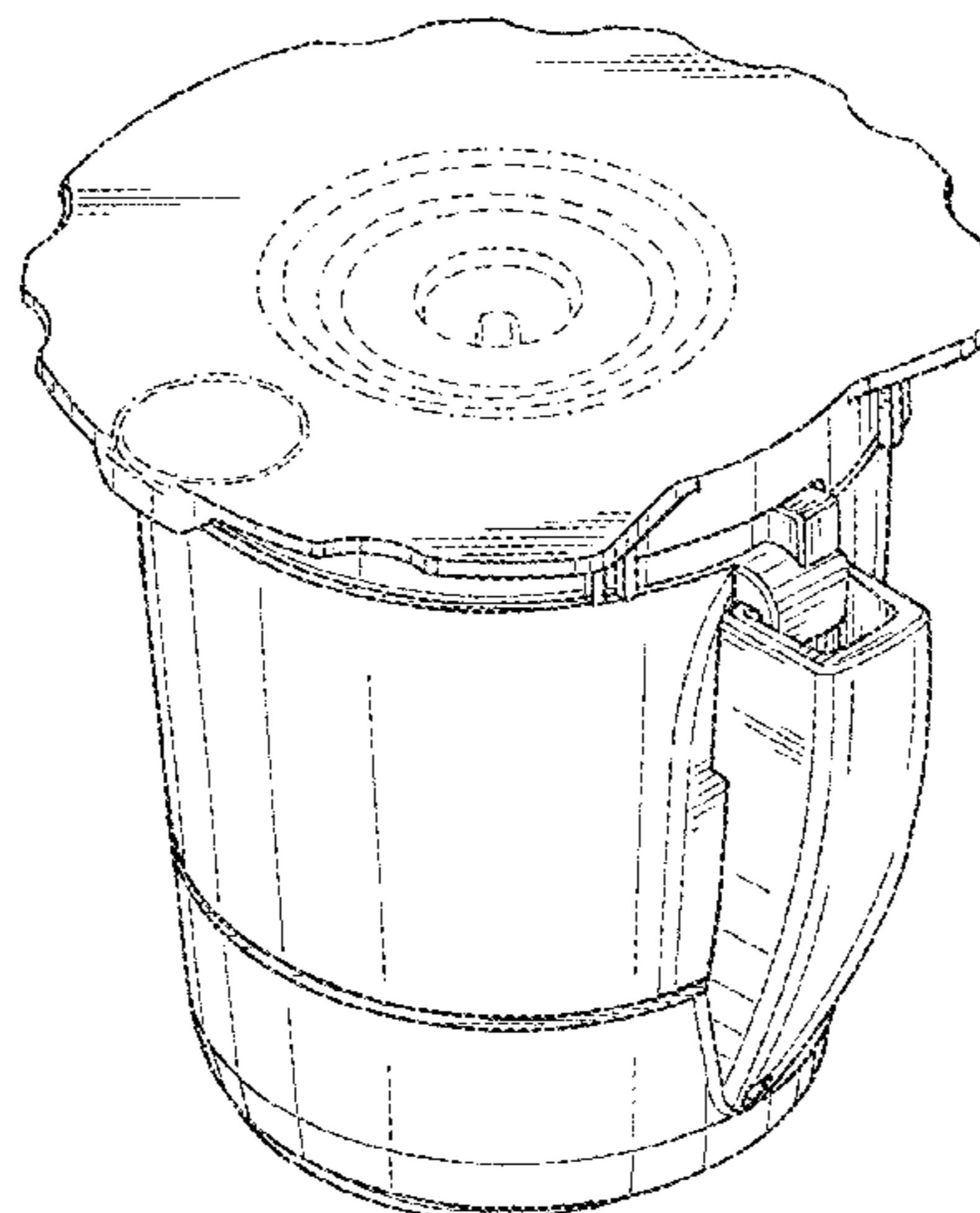
The ornamental design for a beverage cartridge, as shown and described.

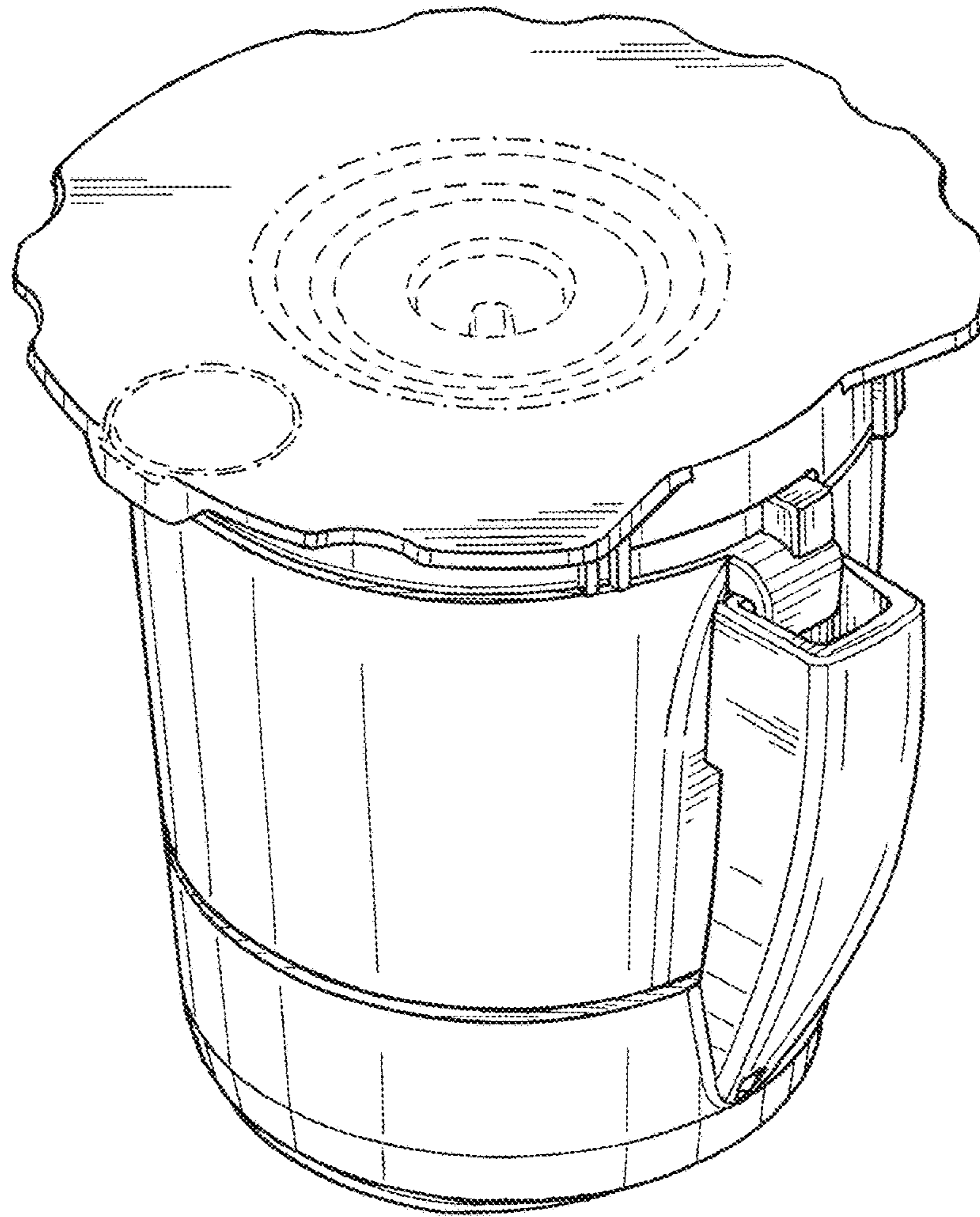
**DESCRIPTION**

FIG. 1 is a top, front, left side perspective view of a beverage cartridge showing our new design;  
 FIG. 2 is top, front, right side perspective view thereof;  
 FIG. 3 is a front elevation view thereof;  
 FIG. 4 is a rear elevation view thereof;  
 FIG. 5 is a left side elevation view thereof;  
 FIG. 6 is a right side elevation view thereof;  
 FIG. 7 is a top plan view thereof; and,  
 FIG. 8 is a bottom plan view thereof.  
 The dot-dash broken lines illustrate boundaries of the claim and form no part of the claimed design. The dash-dash broken lines illustrate portions of the beverage cartridge that form no part of the claimed design.

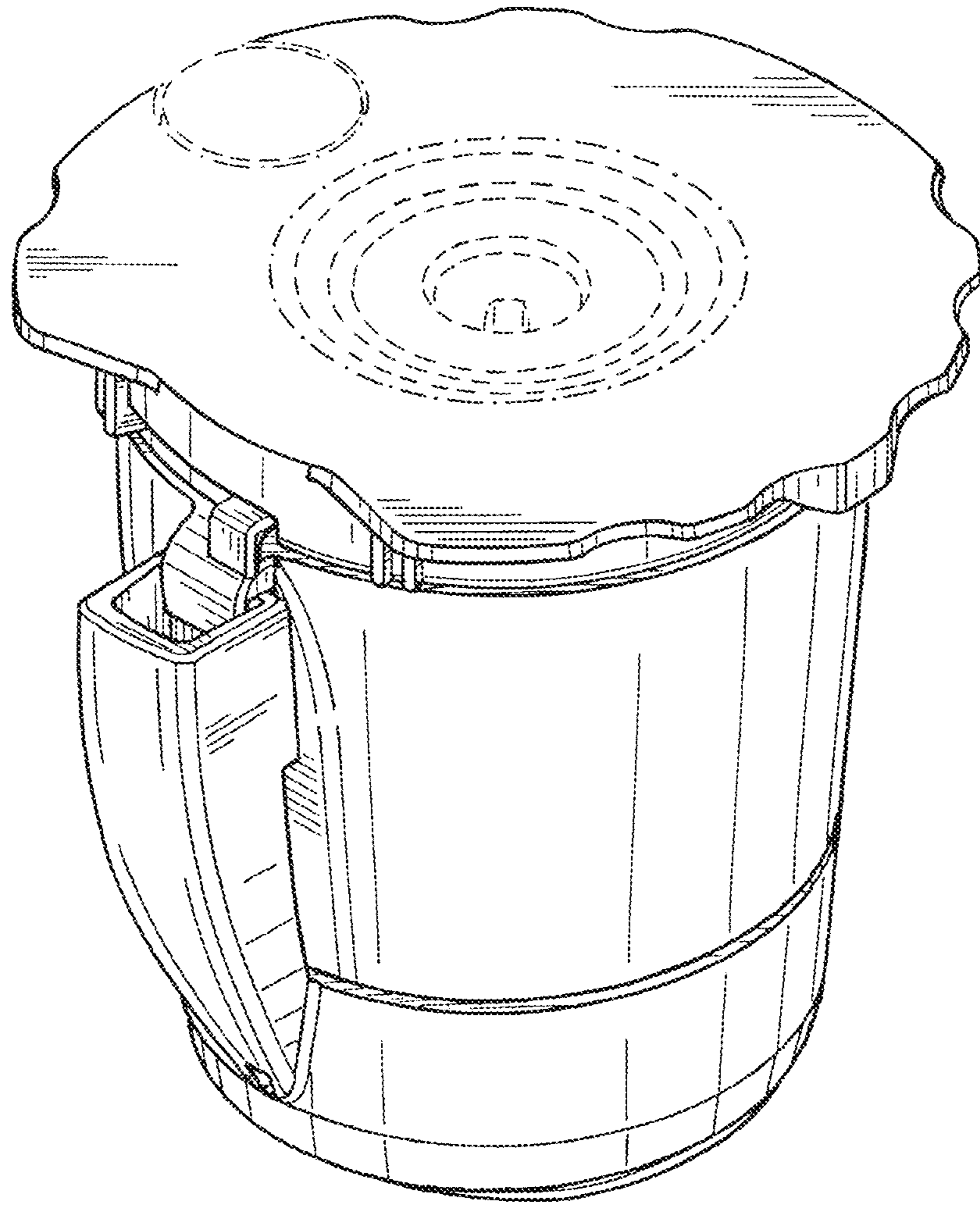
**1 Claim, 8 Drawing Sheets**

- (56) **References Cited**
- U.S. PATENT DOCUMENTS
- D621,698 S \* 8/2010 Cometto ..... D9/424  
 D637,484 S \* 5/2011 Winkler ..... D9/417  
 D647,399 S 10/2011 Winkler  
 D707,490 S \* 6/2014 Hertaus ..... D7/397  
 8,960,078 B2 2/2015 Hristov et al.  
 D746,676 S \* 1/2016 Raphaelson ..... D9/428  
 D760,584 S \* 7/2016 Katz ..... D9/416  
 D789,198 S \* 6/2017 Ngo ..... D9/425

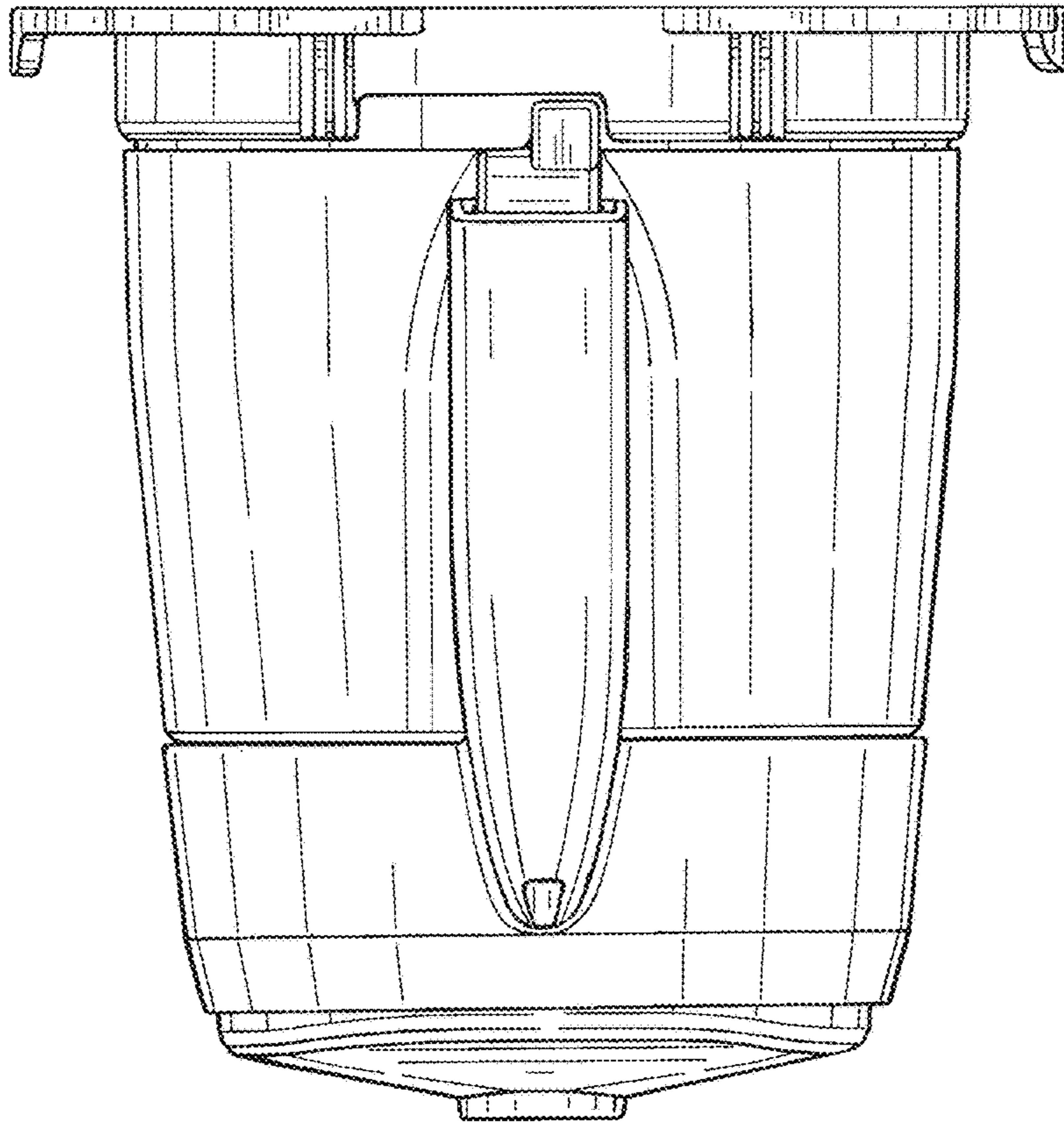




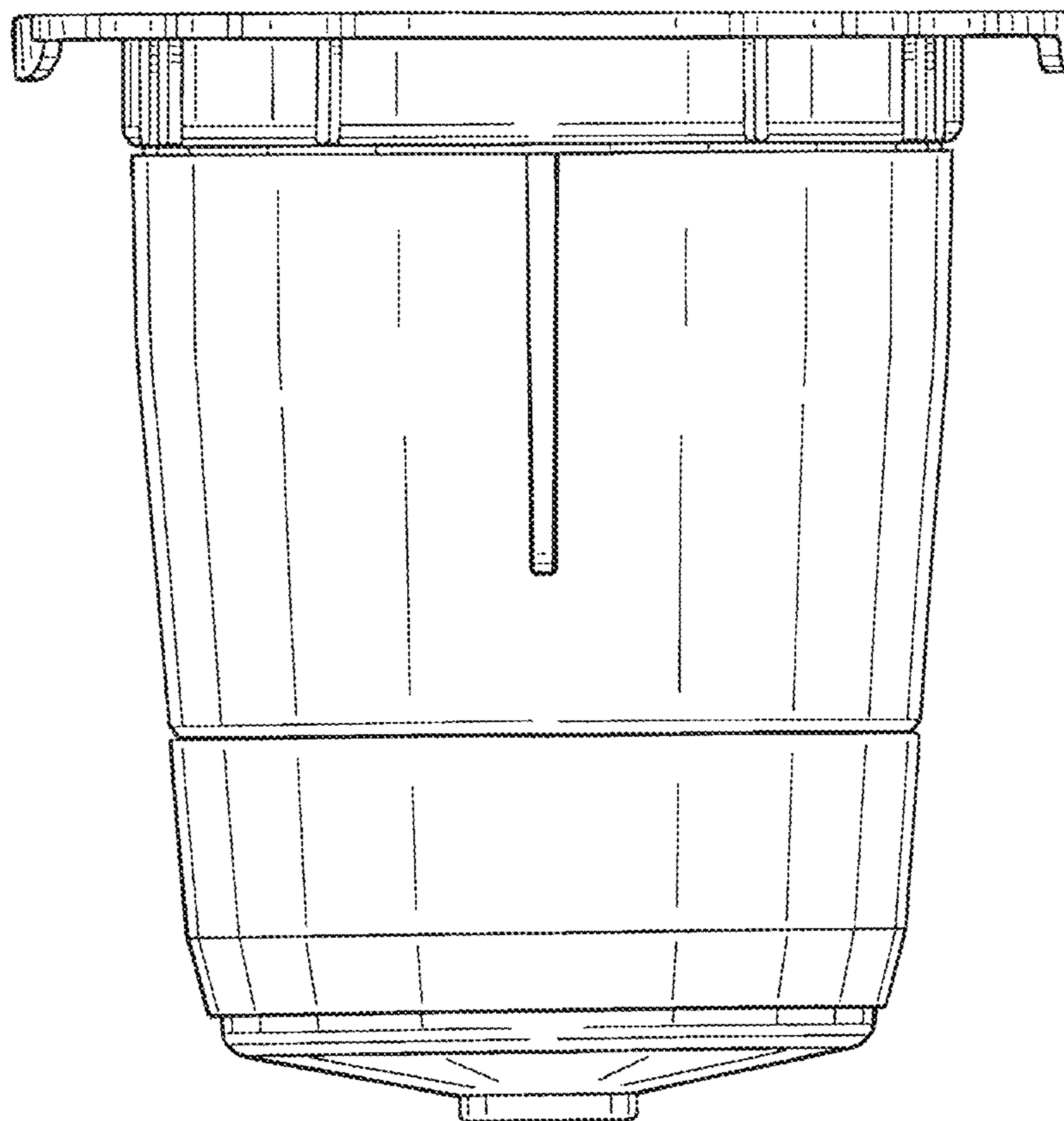
*Fig. 1*



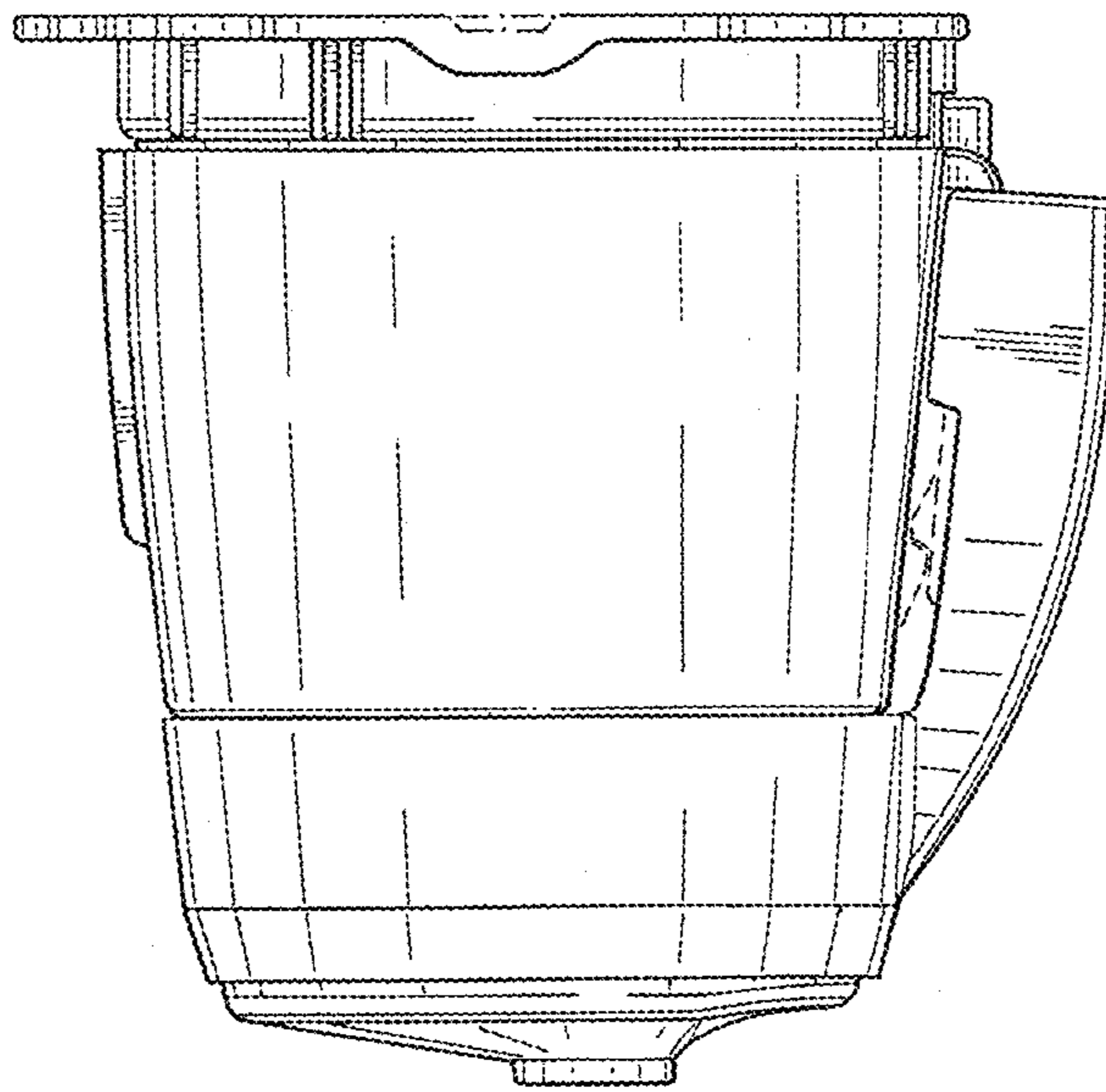
*Fig. 2*



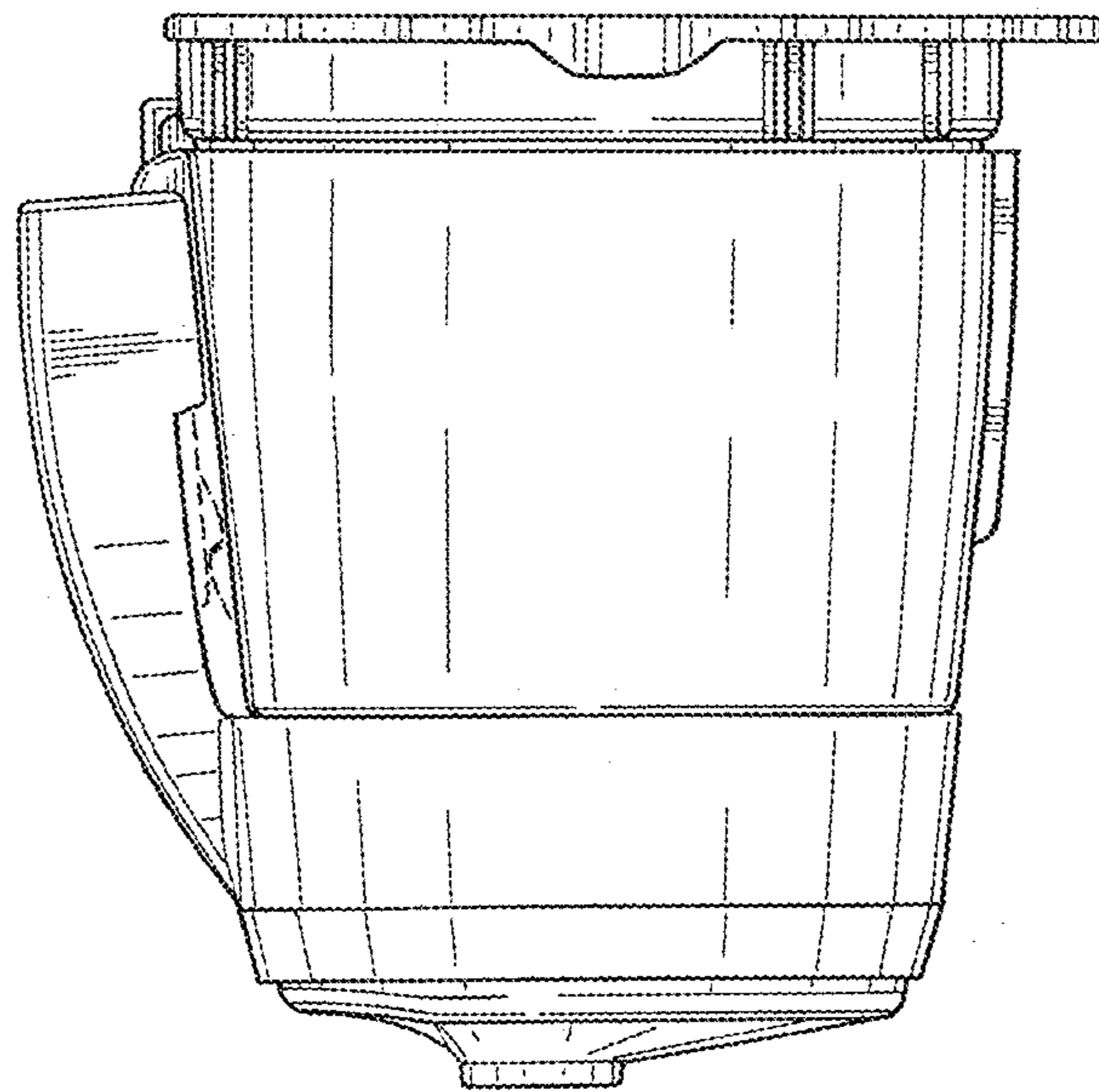
*Fig. 3*



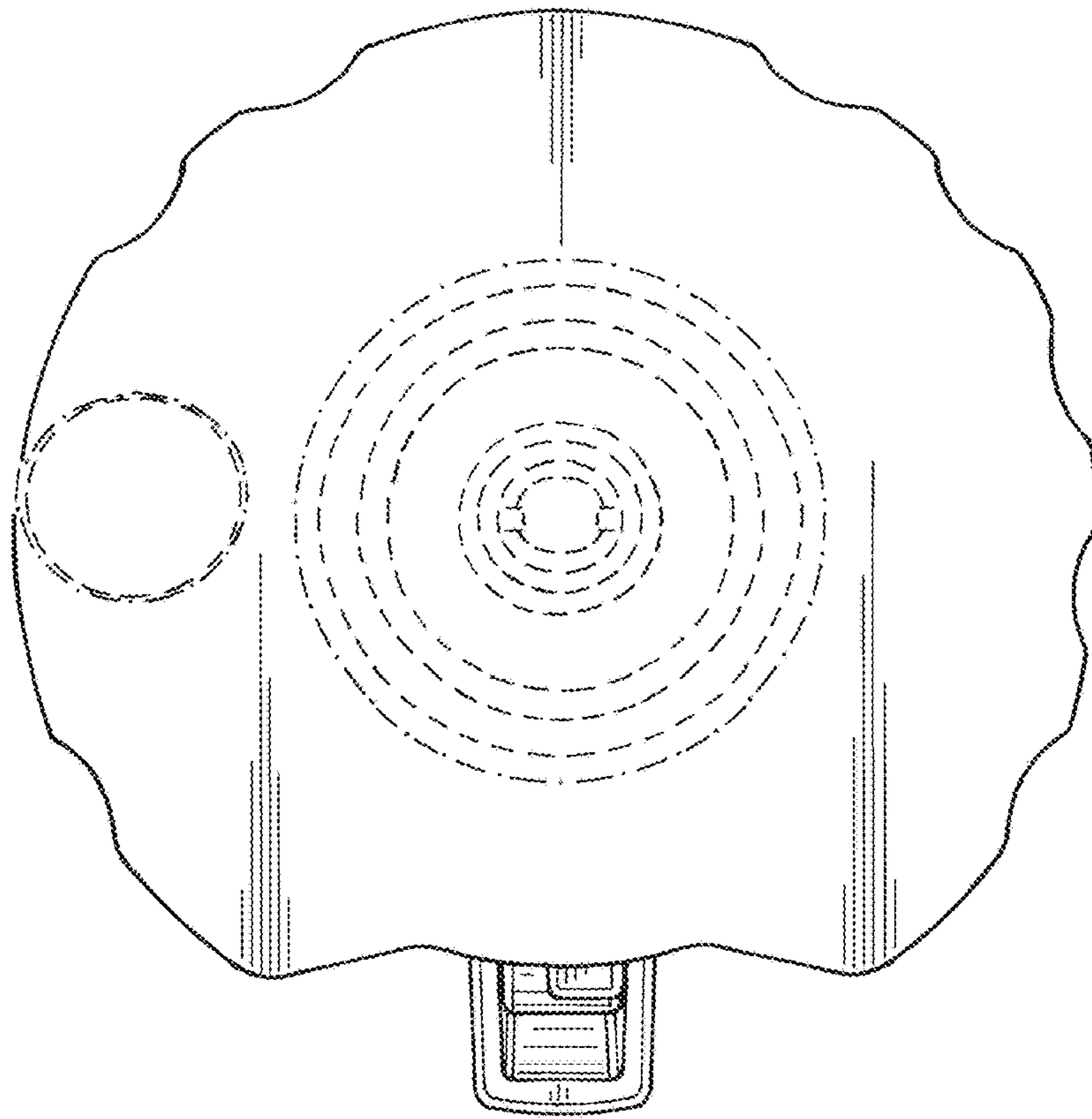
*Fig. 4*



*Fig. 5*

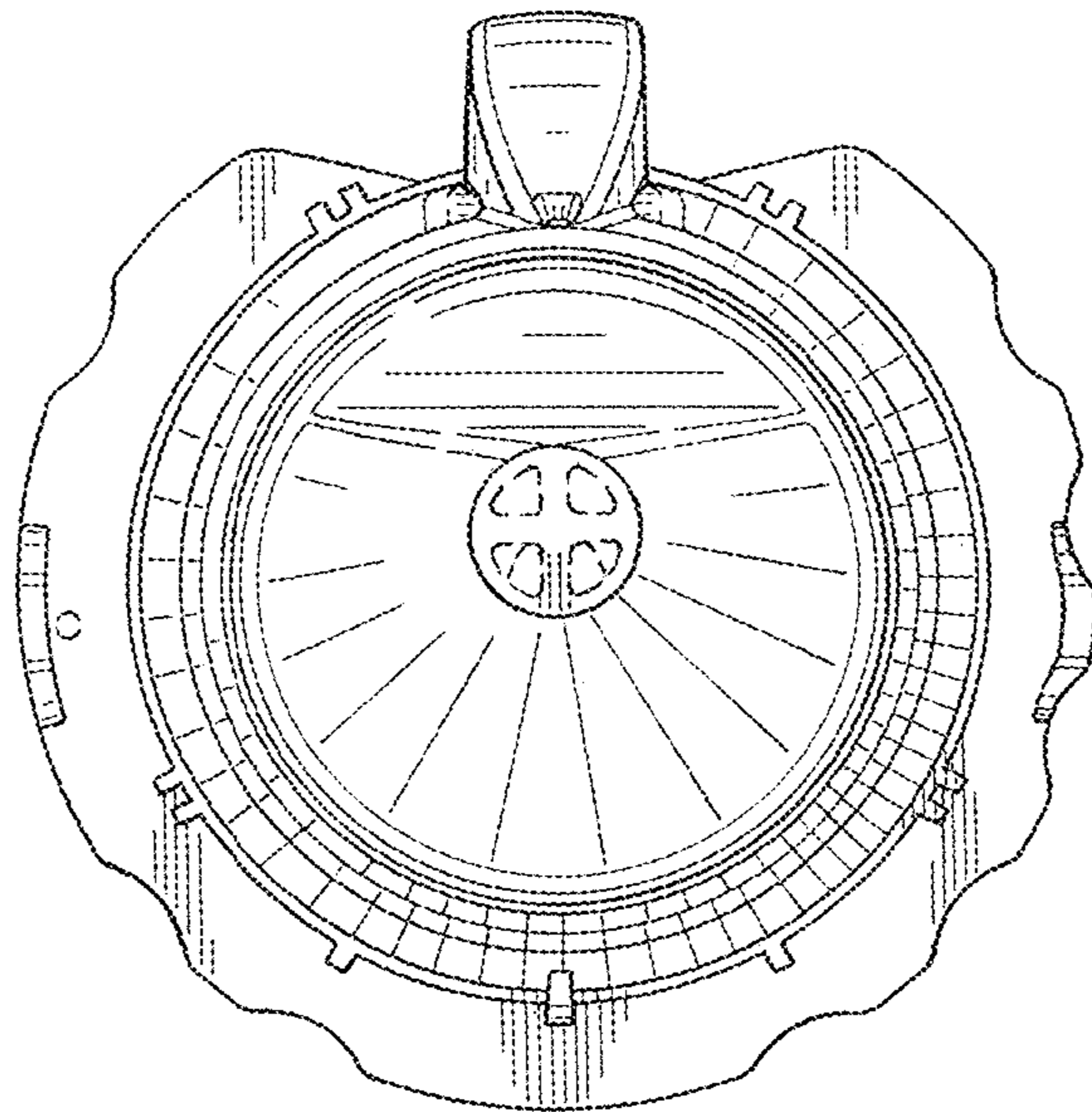


*Fig. 6*



*Fig. 7*





*Fig. 8*