



US00D842031S

(12) **United States Design Patent** (10) **Patent No.:** **US D842,031 S**  
**MacLean-Blevins et al.** (45) **Date of Patent:** **\*\* Mar. 5, 2019**

(54) **FLUID DISPENSING SYSTEM**

(56) **References Cited**

(71) Applicant: **RSC CHEMICAL SOLUTIONS, LLC**, Indian Trail, NC (US)  
(72) Inventors: **Mark T. MacLean-Blevins**, Westminster, MD (US); **Larry Gene Beaver**, Indian Trail, NC (US); **Nicole Andrews**, Concord, NC (US); **Marshal Livingstone**, Waxhaw, NC (US); **Murray Williamson**, Kannapolis, NC (US); **Claudia Largacha**, Bethesda, MD (US)  
(73) Assignee: **RSC CHEMICAL SOLUTIONS, LLC**, Indian Trail, NC (US)

U.S. PATENT DOCUMENTS

9,938,054 B2 \* 4/2018 Choltco-Devlin ..... B65D 47/0895  
9,944,438 B2 \* 4/2018 Roth ..... B65D 45/025  
9,944,509 B2 \* 4/2018 Rumigny ..... B65D 81/3227  
D821,197 S \* 6/2018 Cook ..... D9/435

\* cited by examiner

*Primary Examiner* — Derrick E Holland  
*Assistant Examiner* — Andrew Kerr  
(74) *Attorney, Agent, or Firm* — Moore & Van Allen PLLC

(\*\*) Term: **15 Years**

(57) **CLAIM**

The ornamental design for a fluid dispensing system, as shown and described.

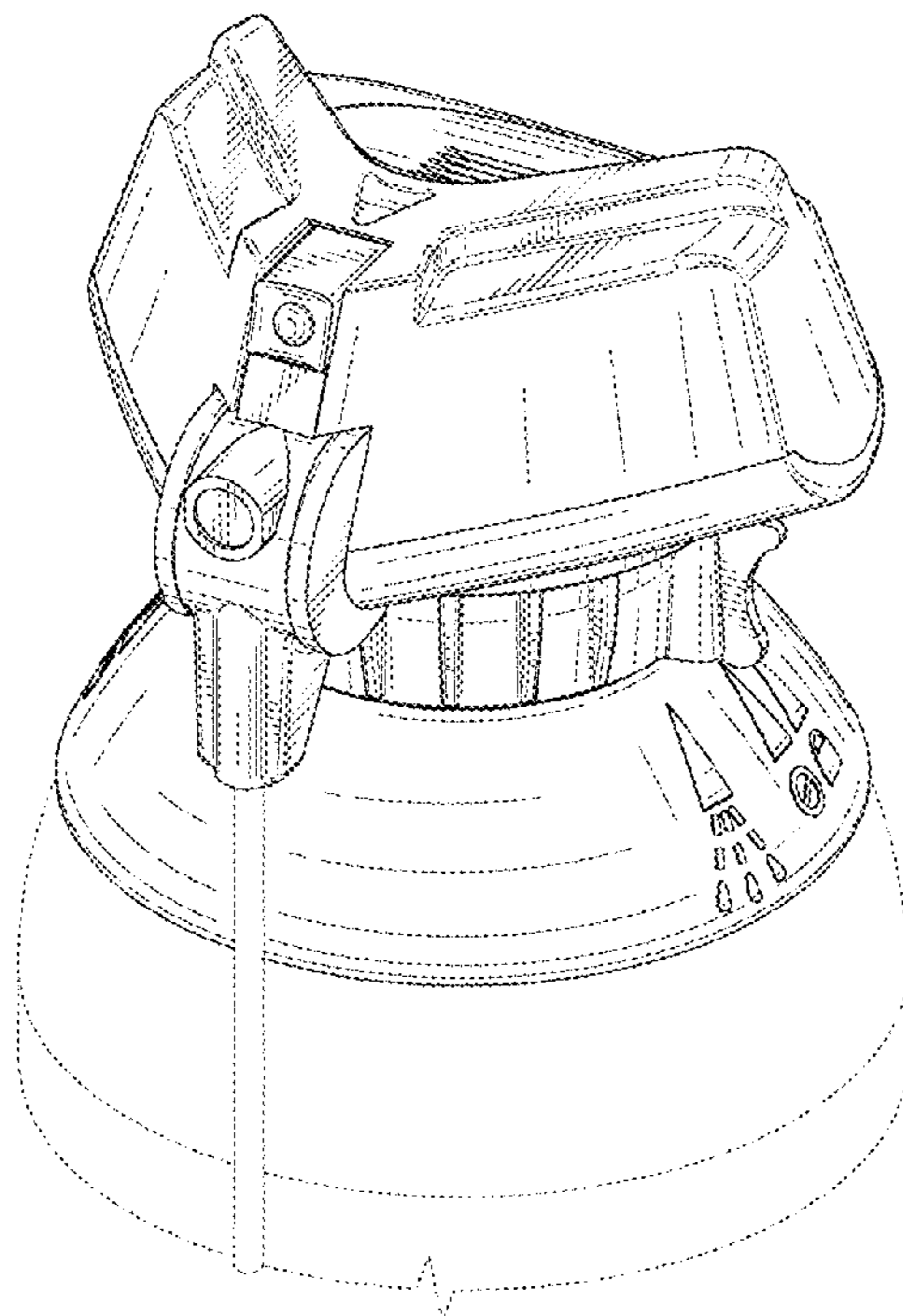
(21) Appl. No.: **29/612,833**

**DESCRIPTION**

(22) Filed: **Aug. 4, 2017**  
(51) **LOC (11) Cl.** ..... **07-99**  
(52) **U.S. Cl.**  
USPC ..... **D7/398**; D9/448  
(58) **Field of Classification Search**  
USPC ..... D9/434–436, 442–445; D7/387, 392;  
D23/223, 226, 229, 233, 386, 387  
CPC ..... A61J 1/1412; B65D 1/02; B65D 1/323;  
B65D 1/0246; B65D 25/40; B65D 25/42;  
B65D 25/44; B65D 41/56; B65D 41/62;  
B65D 47/06; B65D 47/08  
See application file for complete search history.

FIG. 1 is a perspective view of a fluid dispensing system, showing our new design;  
FIG. 2 is a front view thereof;  
FIG. 3 is a rear view thereof;  
FIG. 4 is a right view thereof;  
FIG. 5 is a left view thereof;  
FIG. 6 is a top plan view thereof; and,  
FIG. 7 is a bottom plan view thereof.  
The broken lines showing portions of the fluid dispensing system are for the purpose of illustrating environmental structure only and forms no part of the claimed design.

**1 Claim, 7 Drawing Sheets**



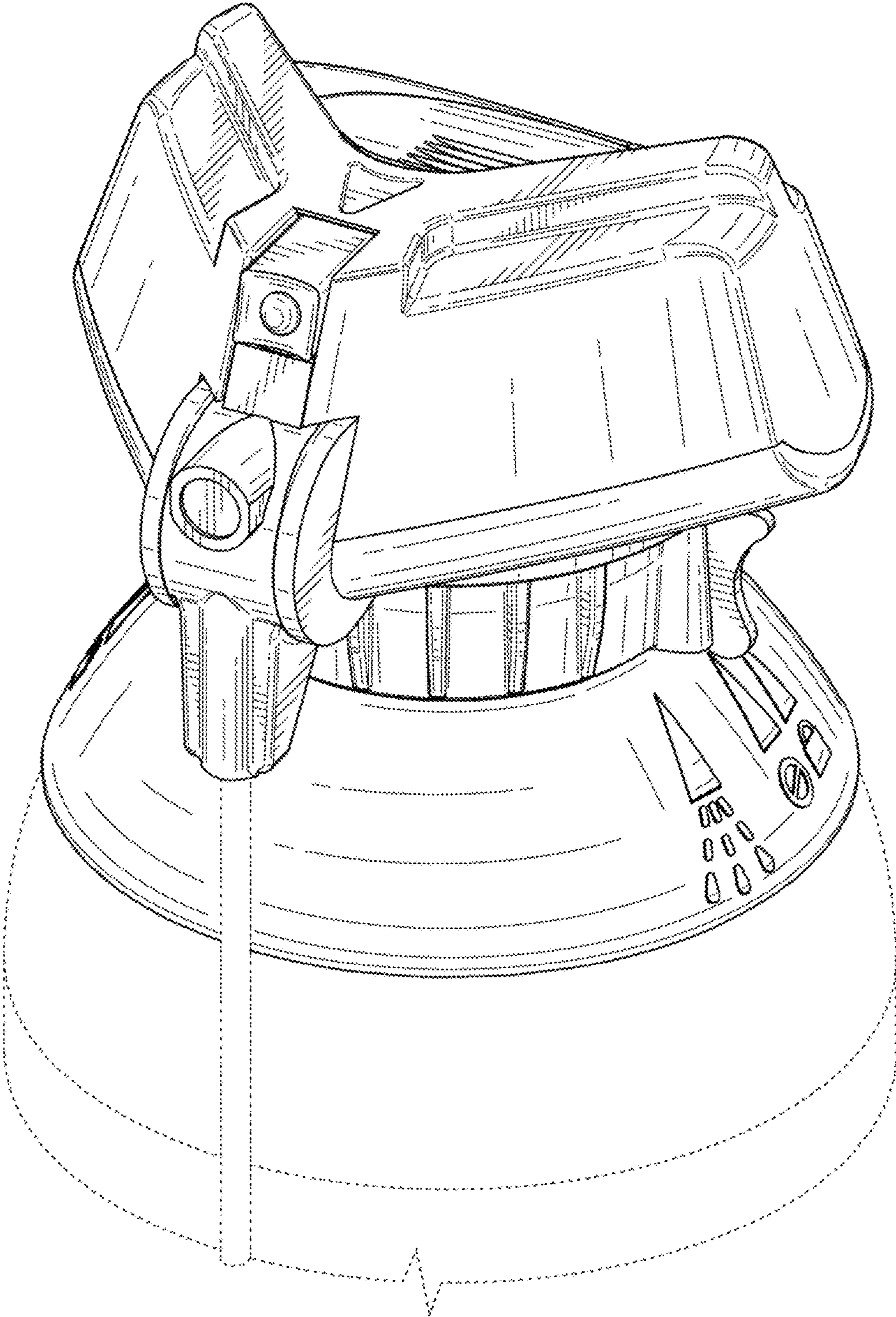


FIG. 1



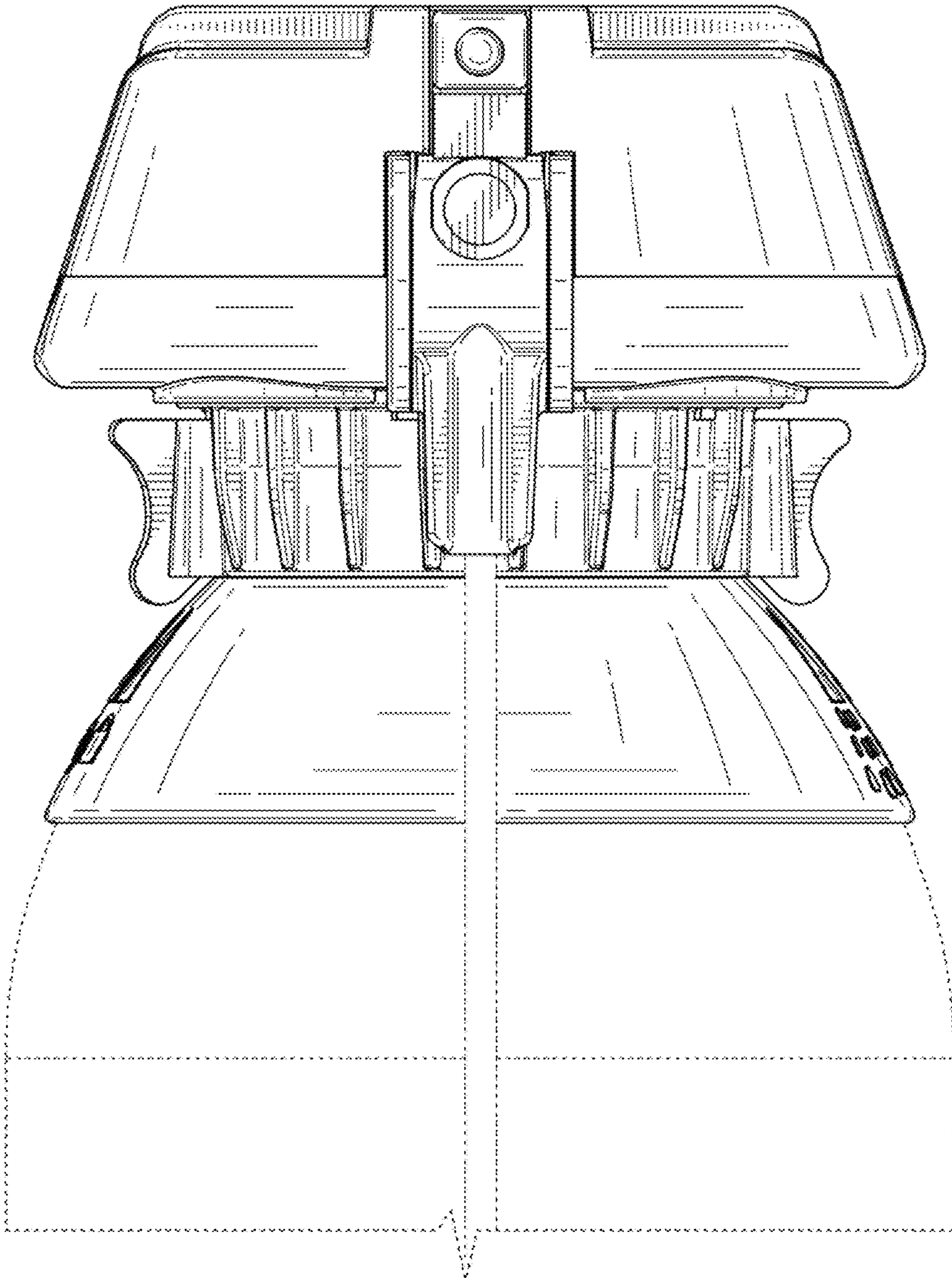


FIG. 2

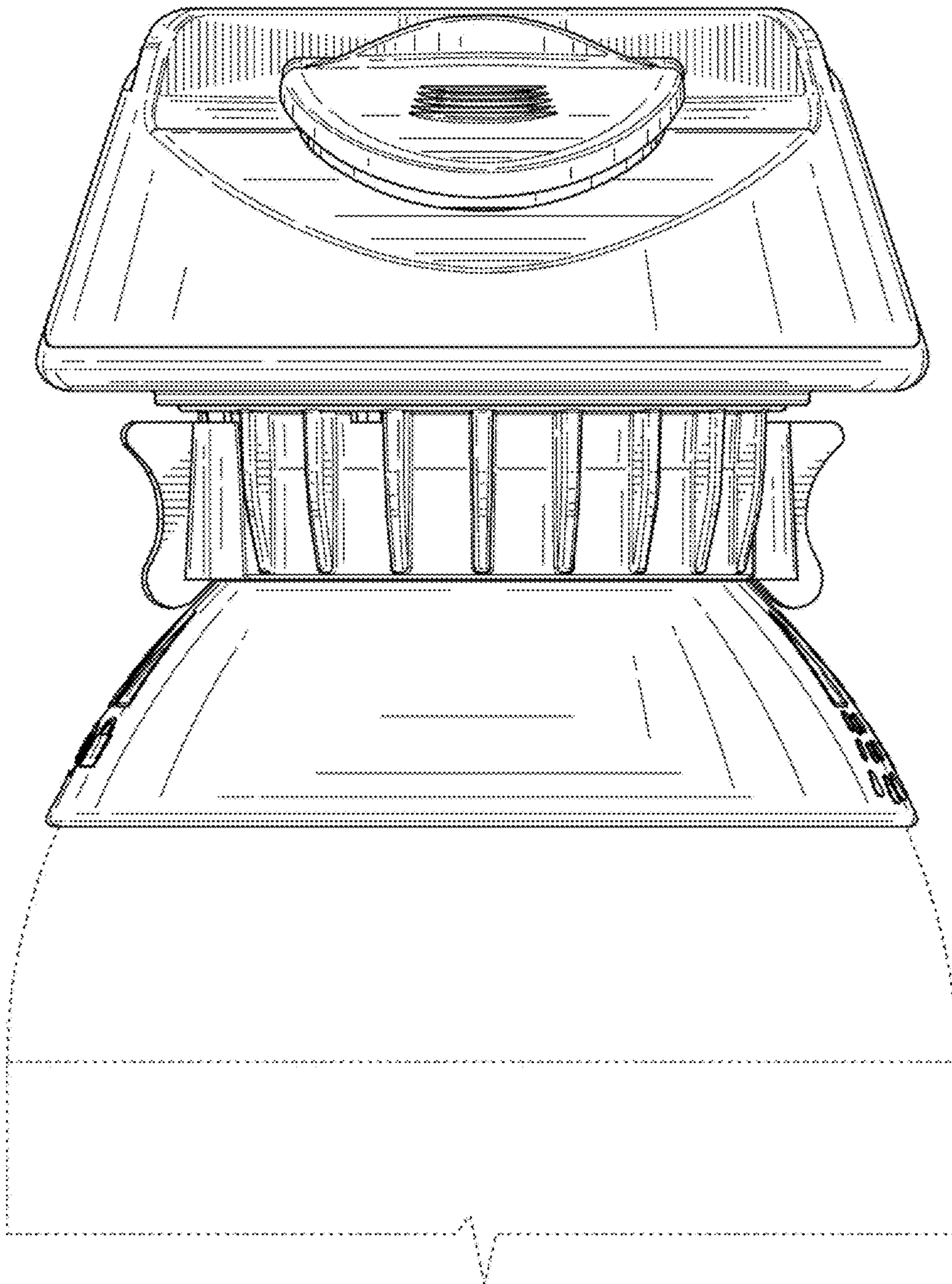


FIG. 3

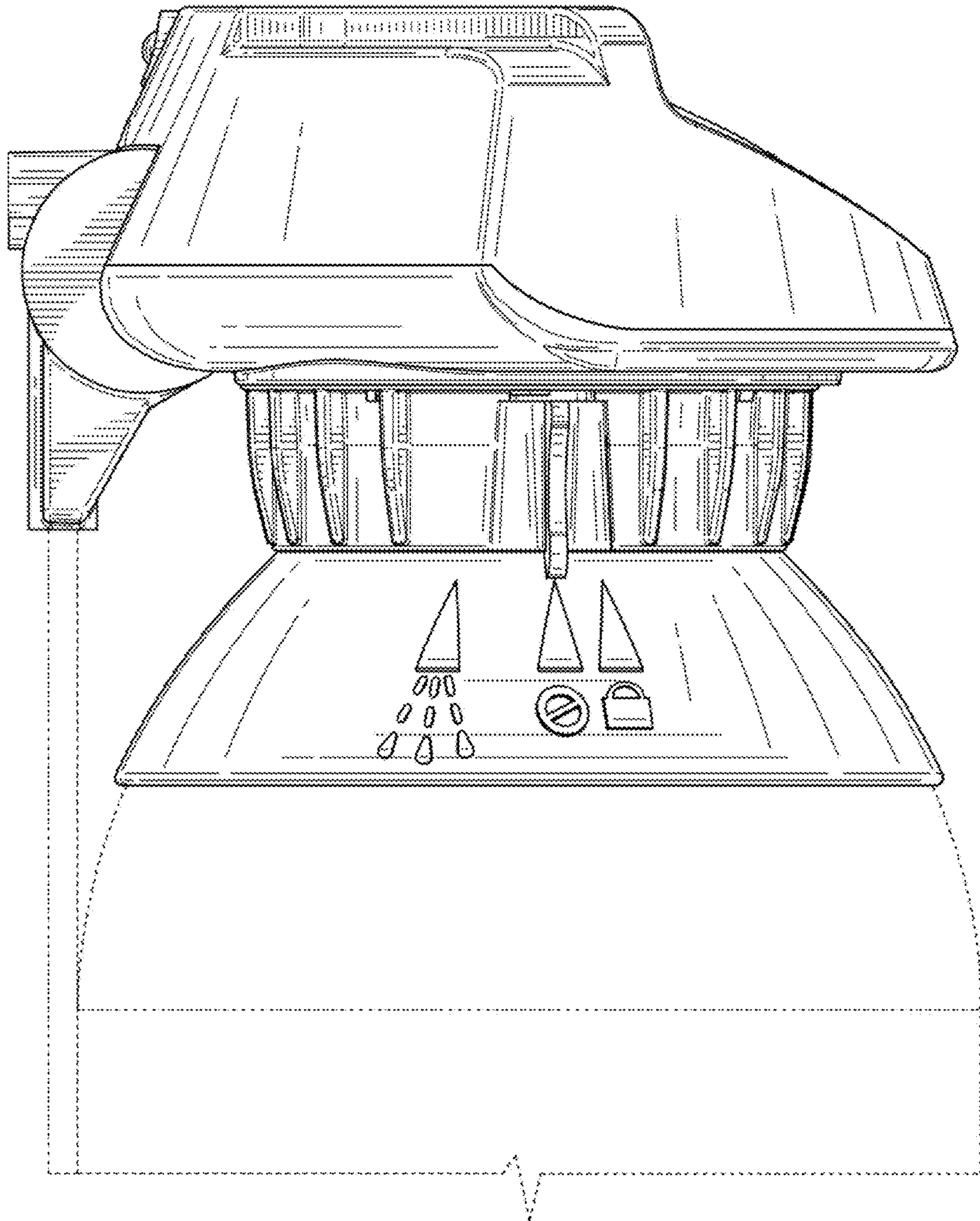


FIG. 4



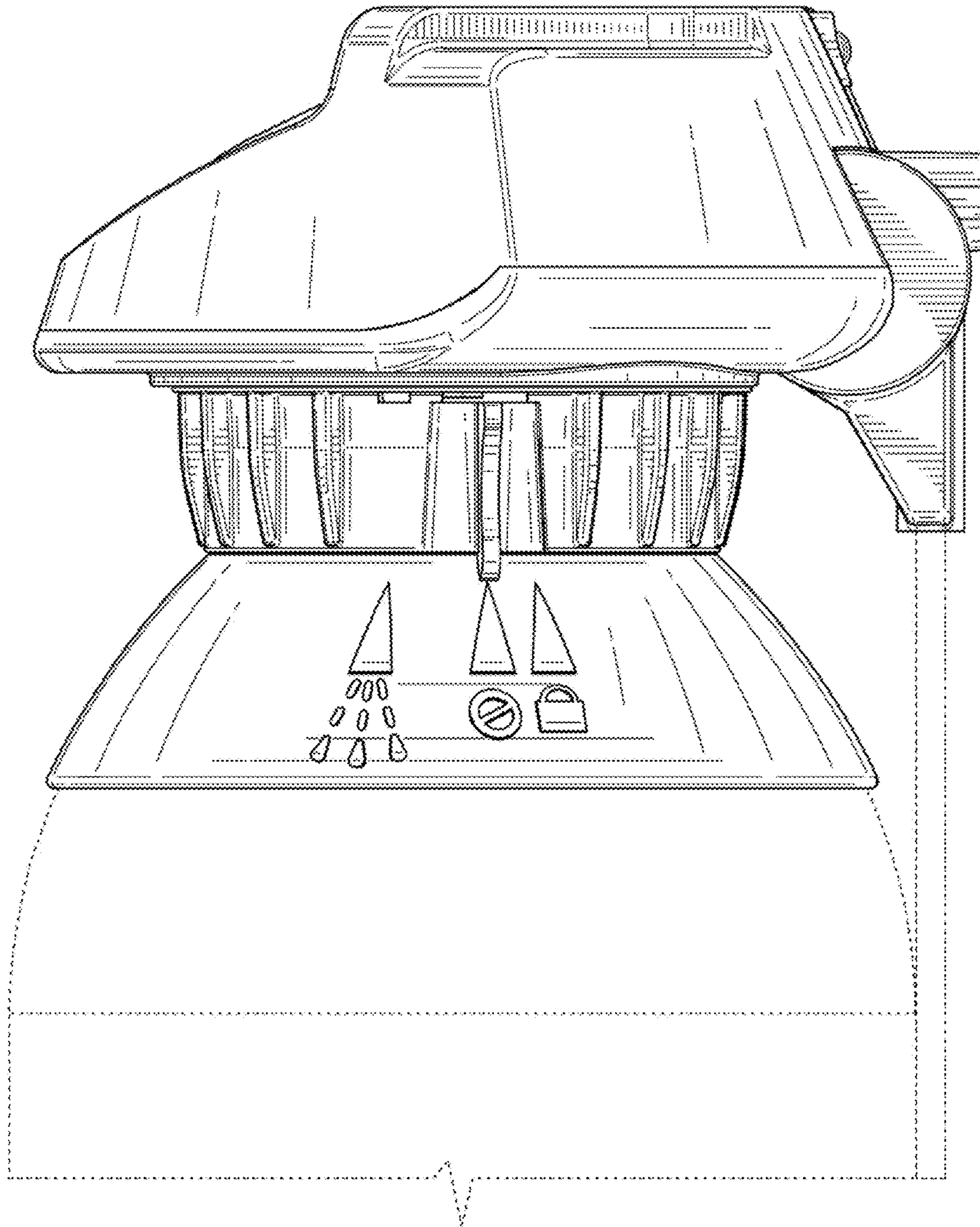


FIG. 5

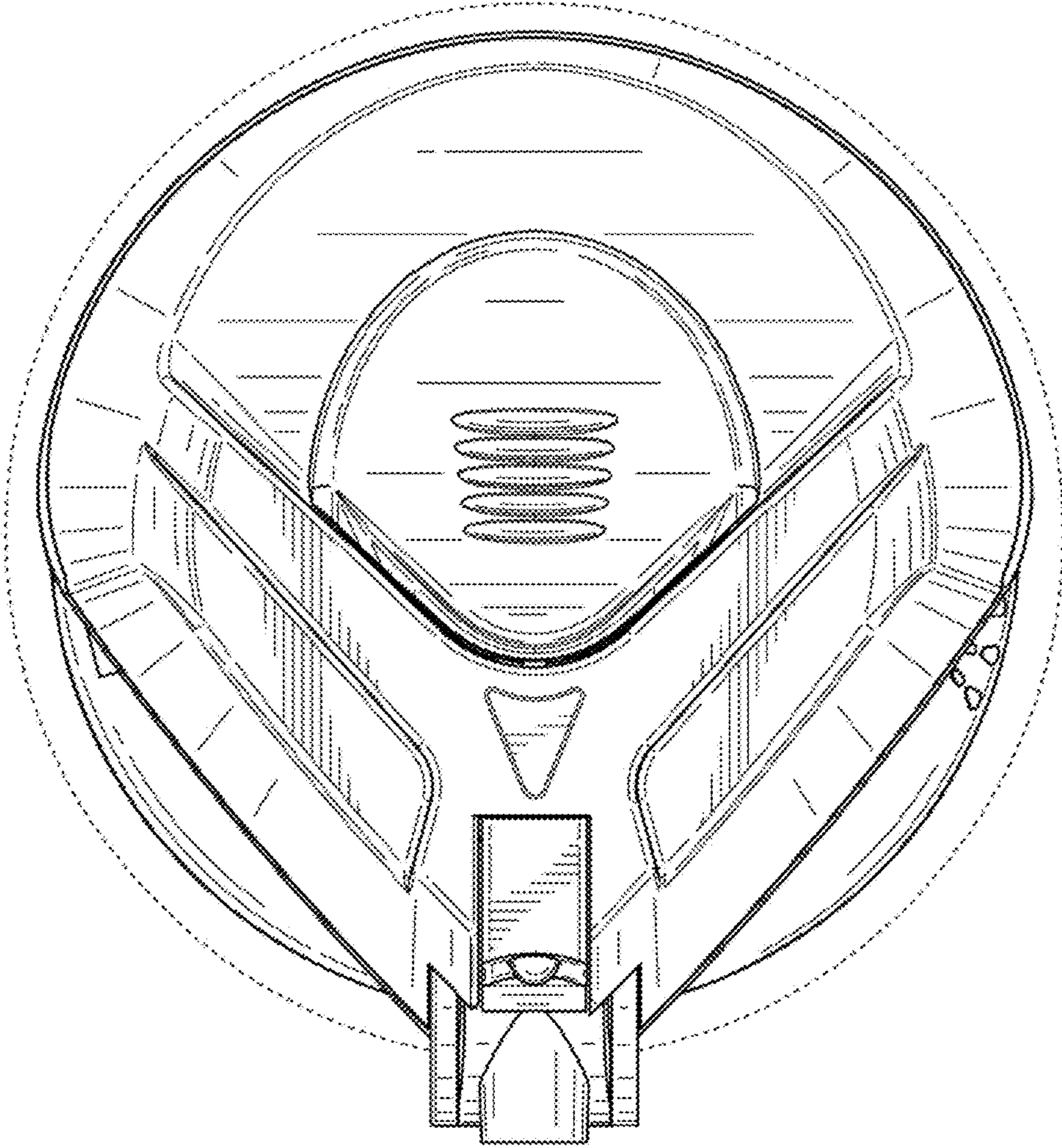
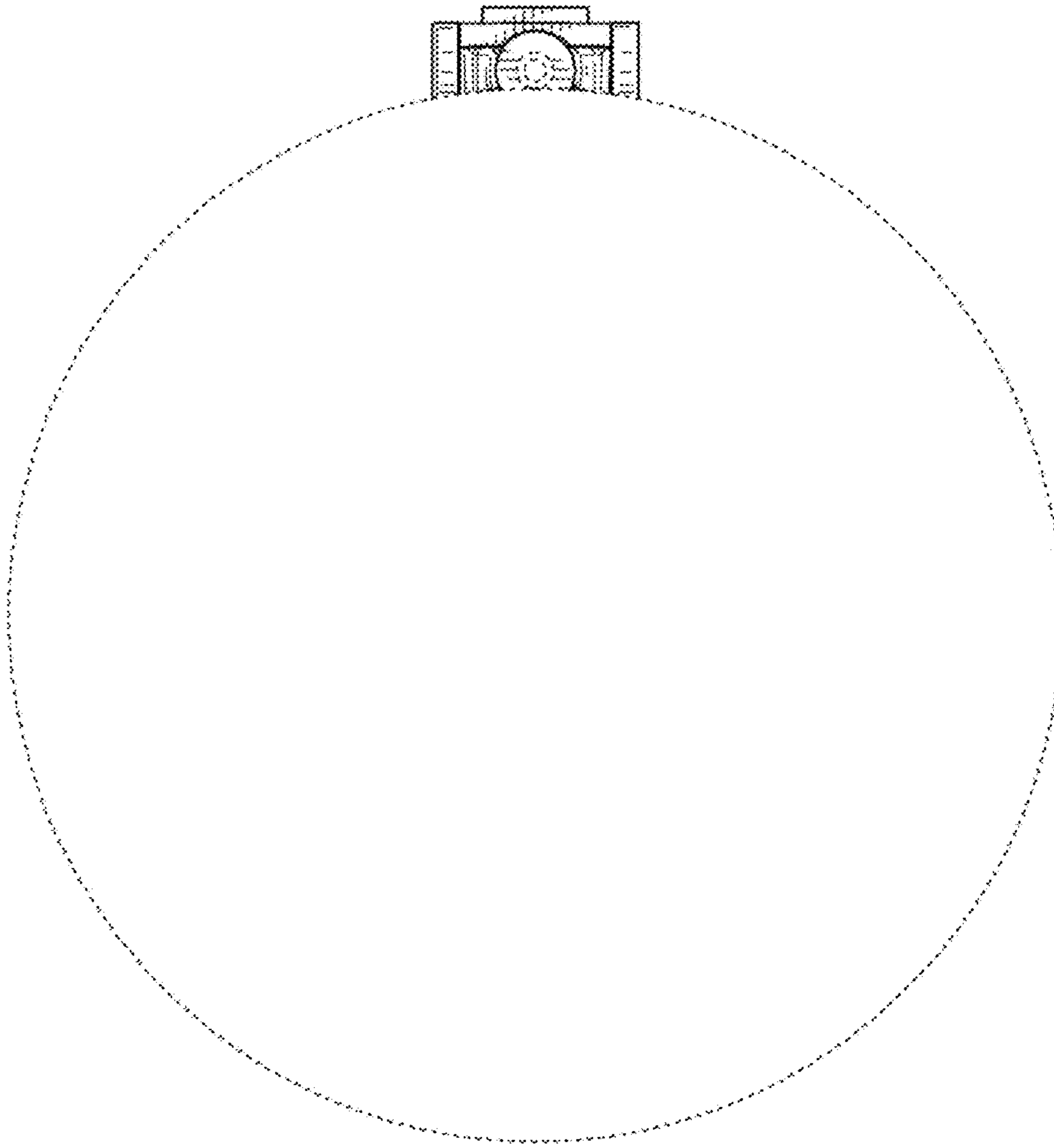


FIG. 6



**FIG. 7**