

US00D842030S

(12) **United States Design Patent**  
**Meyers**

(10) **Patent No.:** **US D842,030 S**  
(45) **Date of Patent:** **\*\* Mar. 5, 2019**

- (54) **LID**
- (71) Applicant: **Runway Blue, LLC**, Lehi, UT (US)
- (72) Inventor: **David O. Meyers**, East Layton, UT (US)
- (73) Assignee: **Runway Blue, LLC**, Alpine, UT (US)
- (\*\*) Term: **15 Years**
- (21) Appl. No.: **29/580,622**
- (22) Filed: **Oct. 11, 2016**
- (51) **LOC (11) Cl.** ..... **07-01**
- (52) **U.S. Cl.**  
USPC ..... **D7/396.2**
- (58) **Field of Classification Search**  
USPC ..... D3/202; D7/300, 300.1, 313, 314, 316, D7/387, 392, 393, 396, 396.1, 396.2, 397, D7/398, 401.1, 509, 510, 511, 523, 526, D7/527, 528, 529, 530, 533, 536, 538, D7/602, 608, 619.1, 900; D9/434, 435, D9/436, 437, 438, 440, 443, 446, 447, D9/448, 449, 452, 453, 454, 500, 502, D9/503, 504, 517, 529, 530, 538, 539, D9/540, 541, 544, 545, 547, 548, 552, D9/569, 686, 688, 690, 723, 724, 763, D9/722; D28/76, 78, 82; D24/121, 224; D23/206, 259, 260; D8/300
- CPC .. B65D 43/06; B65D 43/0202; B65D 43/161; B65D 43/021; B65D 43/0212; B65D 43/0218; B65D 43/162; B65D 43/16; B65D 43/22; B65D 43/26; B65D 43/0208; B65D 47/37; B65D 47/265; B65D 47/06; B65D 47/247; B65D 47/283; B65D 47/08; B65D 47/065; B65D 2543/00046; B65D 2543/00092; B65D 2543/00231; B65D

(Continued)

(56) **References Cited**

U.S. PATENT DOCUMENTS

- D288,663 S \* 3/1987 Thieffry ..... D9/452
- D305,871 S \* 2/1990 Geiger ..... D9/435

(Continued)

FOREIGN PATENT DOCUMENTS

JP 838798 S 6/1992

OTHER PUBLICATIONS

Thermos Vacuum Insulated 32 Ounce: Announced Apr. 6, 2007 [online]. Site Visited Jan. 5, 2018. Available from Internet URL: [https://www.amazon.com/Thermos-Insulated-Compact-Stainless-Beverage/product-reviews/BoojjBF3EO/ref=cm\\_cr\\_arp\\_d\\_paging\\_btm\\_163?ie=UTF8&reviewerType=all\\_reviews&pageNumber=163](https://www.amazon.com/Thermos-Insulated-Compact-Stainless-Beverage/product-reviews/BoojjBF3EO/ref=cm_cr_arp_d_paging_btm_163?ie=UTF8&reviewerType=all_reviews&pageNumber=163).\*

(Continued)

*Primary Examiner* — Jennifer Rivard

*Assistant Examiner* — Catherine S Posthauer

(74) *Attorney, Agent, or Firm* — Maschoff Brennan; Paul G. Johnson

(57) **CLAIM**

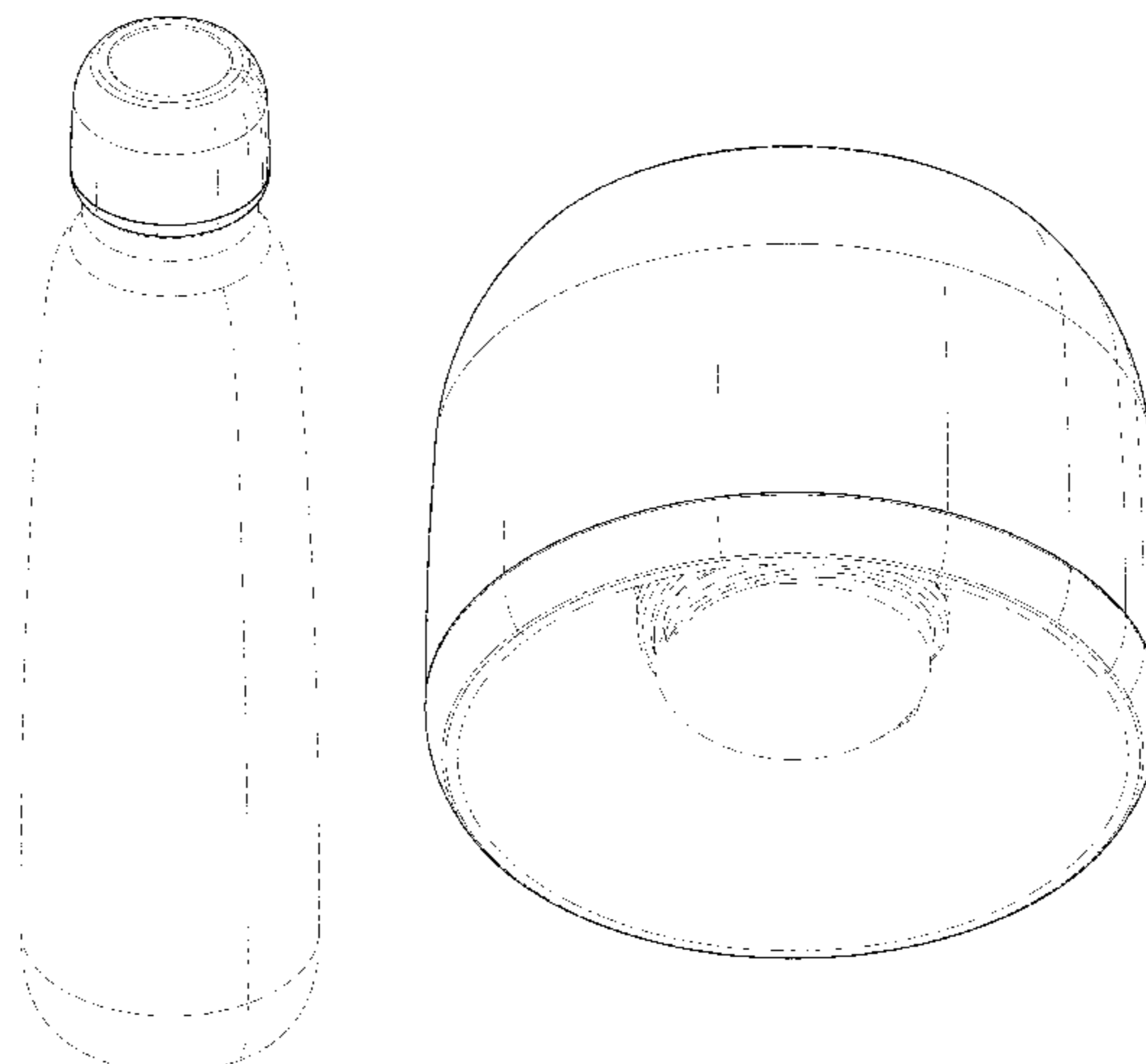
The ornamental design for a lid, as shown and described.

**DESCRIPTION**

FIG. 1 is a top perspective view of a lid, showing the lid in position of use with an example bottle;  
FIG. 2 is a top perspective view thereof, with the example bottle removed for clarity of details;  
FIG. 3 is a bottom perspective view thereof;  
FIG. 4 is a front view of the lid, with the left side view, right side view, and rear view being mirror images thereof;  
FIG. 5 is a top view thereof; and,  
FIG. 6 is a bottom view thereof.

The dot-dash broken lines represent the bounds of the claimed design and form no part thereof. The dashed broken lines are shown for the purpose of illustrating environmental structure and parts of the article that form no part of the claimed design.

**1 Claim, 6 Drawing Sheets**



(58) **Field of Classification Search**

CPC ..... 2543/00842; B65D 39/00; B65D 39/0005;  
 B65D 39/02; B65D 39/08; B65D 39/19;  
 B65D 41/00; B65D 41/02; B65D 41/005;  
 B65D 41/023; B65D 41/026; B65D  
 41/0414; B65D 41/0421; B65D 41/0428;  
 B65D 41/0476; B65D 41/0485; B65D  
 41/0492; B65D 41/16; B65D 41/71;  
 B65D 41/28; B65D 41/32; B65D 50/00;  
 B65D 50/048; B65D 53/00; B65D 53/02;  
 B65D 53/04; B65D 55/02; B65D  
 83/0805; B65D 21/0219; B65D 85/36;  
 B65D 81/3283; B65D 2251/0021; B65D  
 2251/0081; B65D 2543/000231; B65D  
 2543/999657; B65D 2205/02; B65D  
 23/00; B65D 2501/00; B65D 2501/0009;  
 B65D 1/00; B65D 1/02; B65D 1/0223;  
 B65D 51/1694; B65D 41/04; A47G  
 19/02; A47G 19/2205; A47G 19/2222;  
 A47G 19/2266; A47G 19/2272; A47G  
 19/2294; A47G 19/2273; A47G 19/2288;  
 A47J 36/10; A47J 36/14; A47J 36/06;  
 A47J 36/027; A47J 43/24; A01K 97/045;  
 A45F 3/16

See application file for complete search history.

(56) **References Cited**

U.S. PATENT DOCUMENTS

D313,754 S \* 1/1991 Pomroy ..... D9/435  
 D374,401 S \* 10/1996 Behnen, Jr. .... D7/392.1  
 D390,466 S \* 2/1998 Mao ..... D9/454  
 D396,639 S \* 8/1998 Pedersen-Rask ..... D9/454  
 D417,847 S \* 12/1999 Rush ..... D7/629  
 D476,893 S \* 7/2003 Pinnavaia ..... D9/435

D477,225 S \* 7/2003 Pinnavaia ..... D9/435  
 D488,675 S \* 4/2004 Moore ..... D7/608  
 D563,785 S \* 3/2008 Maki ..... D9/454  
 D611,814 S \* 3/2010 Marotti ..... D9/454  
 D630,474 S \* 1/2011 Gilbert ..... D7/608  
 D641,257 S \* 7/2011 Thiebaut ..... D9/454  
 D660,700 S \* 5/2012 MacNeill ..... D9/445  
 D661,945 S \* 6/2012 Eyal ..... D7/392.1  
 D688,946 S \* 9/2013 Pirincci ..... D9/454  
 D703,537 S \* 4/2014 Vogel ..... D7/630  
 D710,696 S \* 8/2014 Kwon ..... D7/392.1  
 D746,627 S \* 1/2016 Puigbo ..... D9/503  
 D751,385 S \* 3/2016 Rapparini ..... D9/500  
 D756,222 S \* 5/2016 Lopez ..... D23/260  
 D799,963 S \* 10/2017 Akiyama ..... D9/454  
 2011/0006060 A1 \* 1/2011 Lin ..... B65D 43/26  
 220/201

OTHER PUBLICATIONS

Kingso Water Bottle: Announced Feb. 11, 2017 [online]. Site visited [Jan. 5, 2018]. Available from Internet URL: [https://www.amazon.com/KINGSO-Insulation-Stainless-Sweating-Perfect/product-reviews/B01M16OV4N/ref=cm\\_cr\\_getr\\_d\\_paging\\_btm\\_108?ie=UTF8&reviewerType=all\\_reviews&pageNumber=108](https://www.amazon.com/KINGSO-Insulation-Stainless-Sweating-Perfect/product-reviews/B01M16OV4N/ref=cm_cr_getr_d_paging_btm_108?ie=UTF8&reviewerType=all_reviews&pageNumber=108).\*

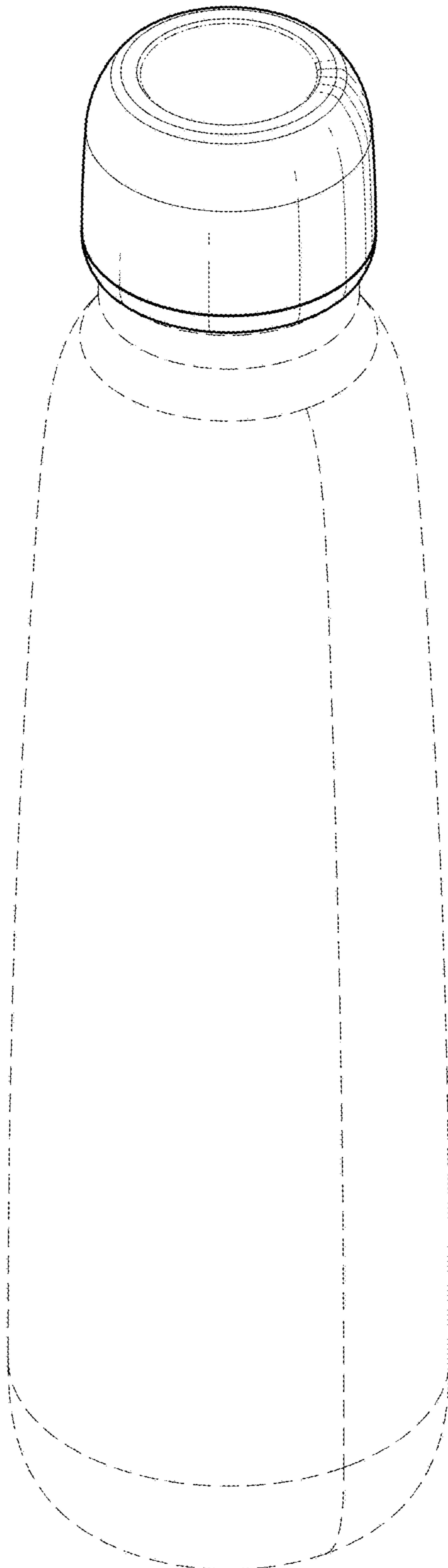
Best Coffee Thermos: Announced Mar. 12, 2016 [online]. Site Visited Jan. 5, 2017. Available from Internet URL: [https://www.amazon.com/Best-Stainless-Steel-Coffee-Thermos/product-reviews/B06XFPYTFR/ref=cm\\_cr\\_getr\\_d\\_paging\\_btm\\_40?ie=UTF8&reviewerType=all\\_reviews&pageNumber=40](https://www.amazon.com/Best-Stainless-Steel-Coffee-Thermos/product-reviews/B06XFPYTFR/ref=cm_cr_getr_d_paging_btm_40?ie=UTF8&reviewerType=all_reviews&pageNumber=40).\*

KR Office Action dated Mar. 2, 2018 as received in Application No. 30-2017-16765.

<http://swellbottle.com> (archived Jul. 28, 2011), accessed at web.archive.org on Aug. 2, 2018, 2pgs.

U.S. Pat. No. 4,366,242 registered Jul. 9, 2013 with drawings filed in the trademark application, 7pgs.

\* cited by examiner



**FIG. 1**

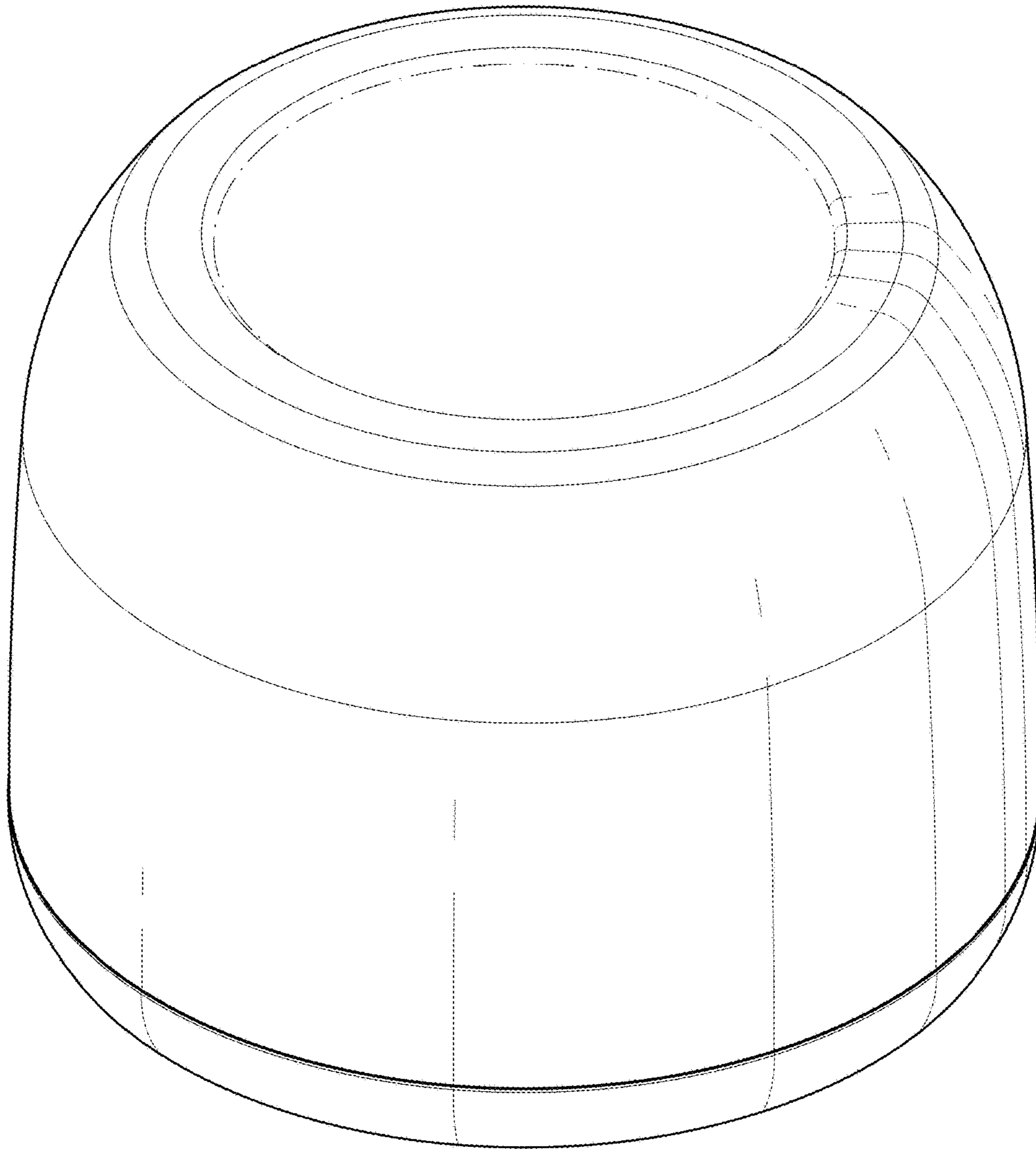


FIG. 2

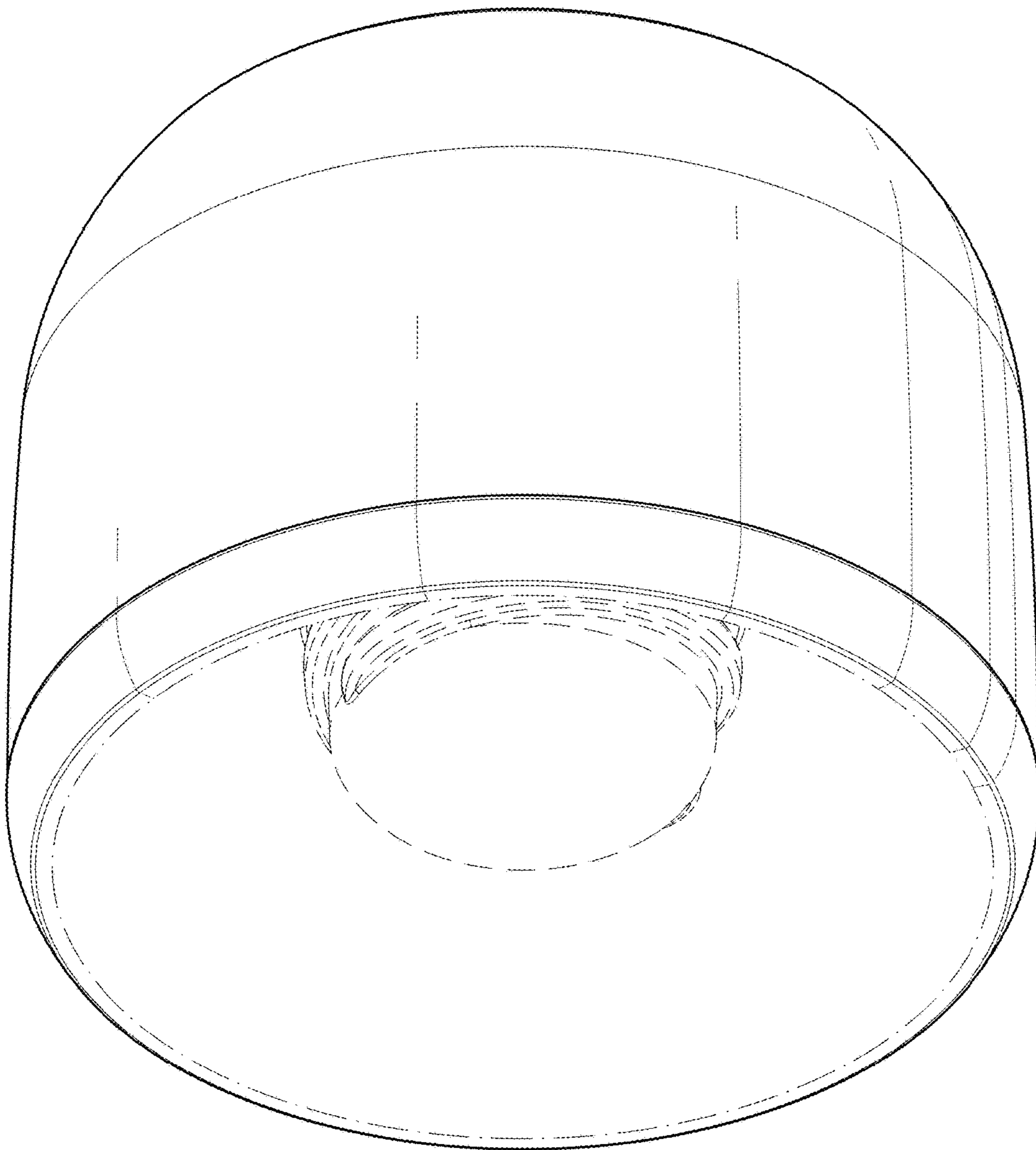
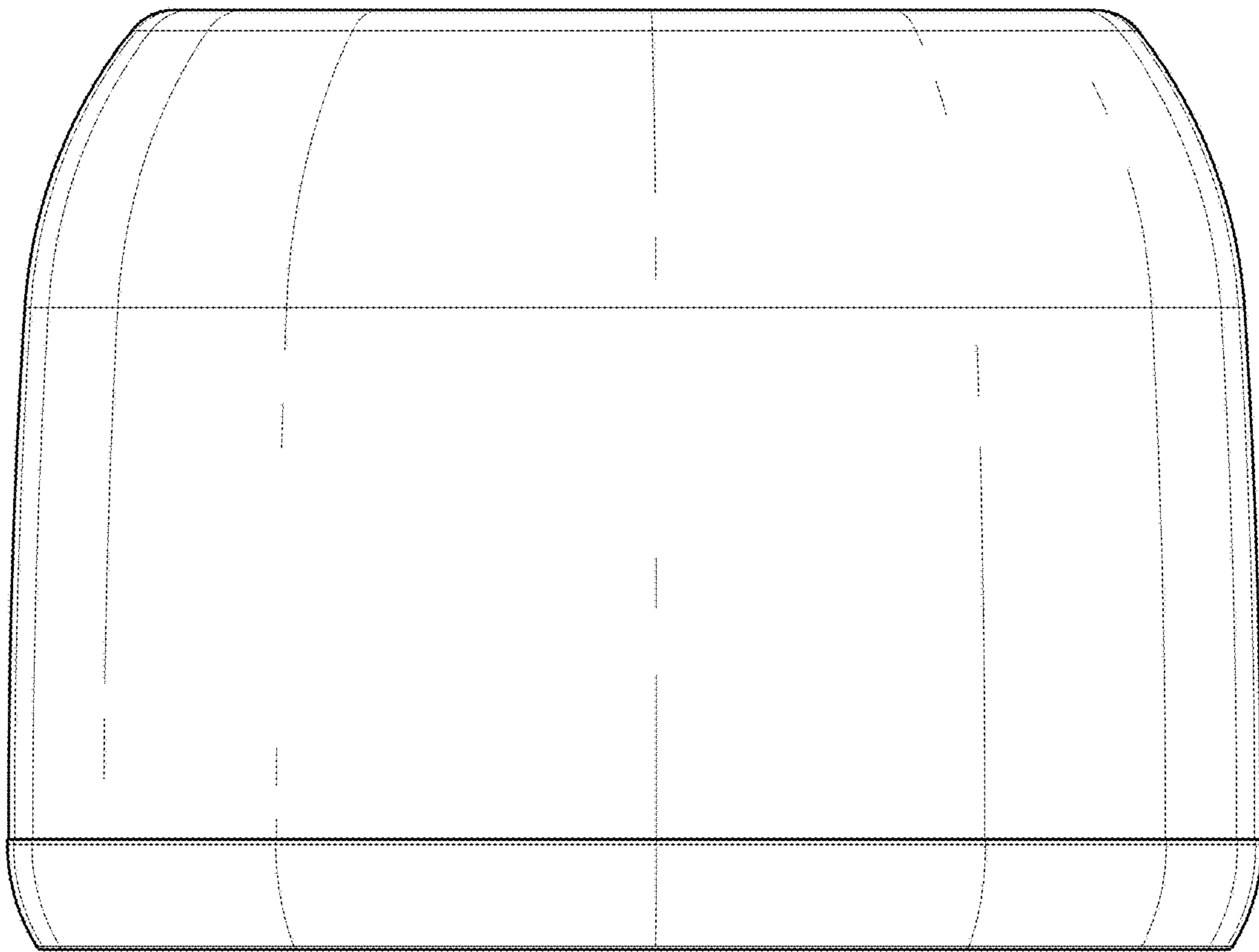
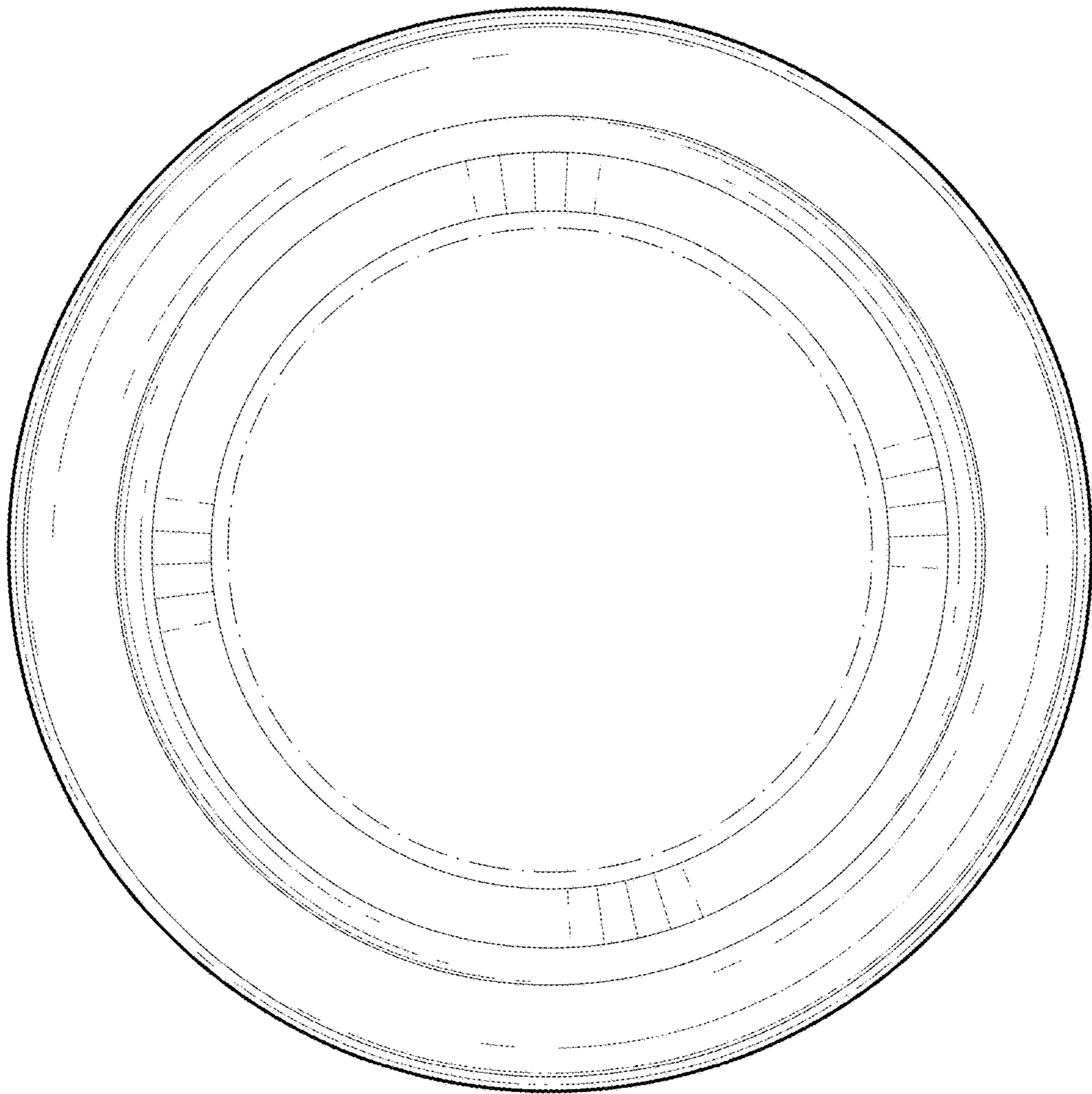


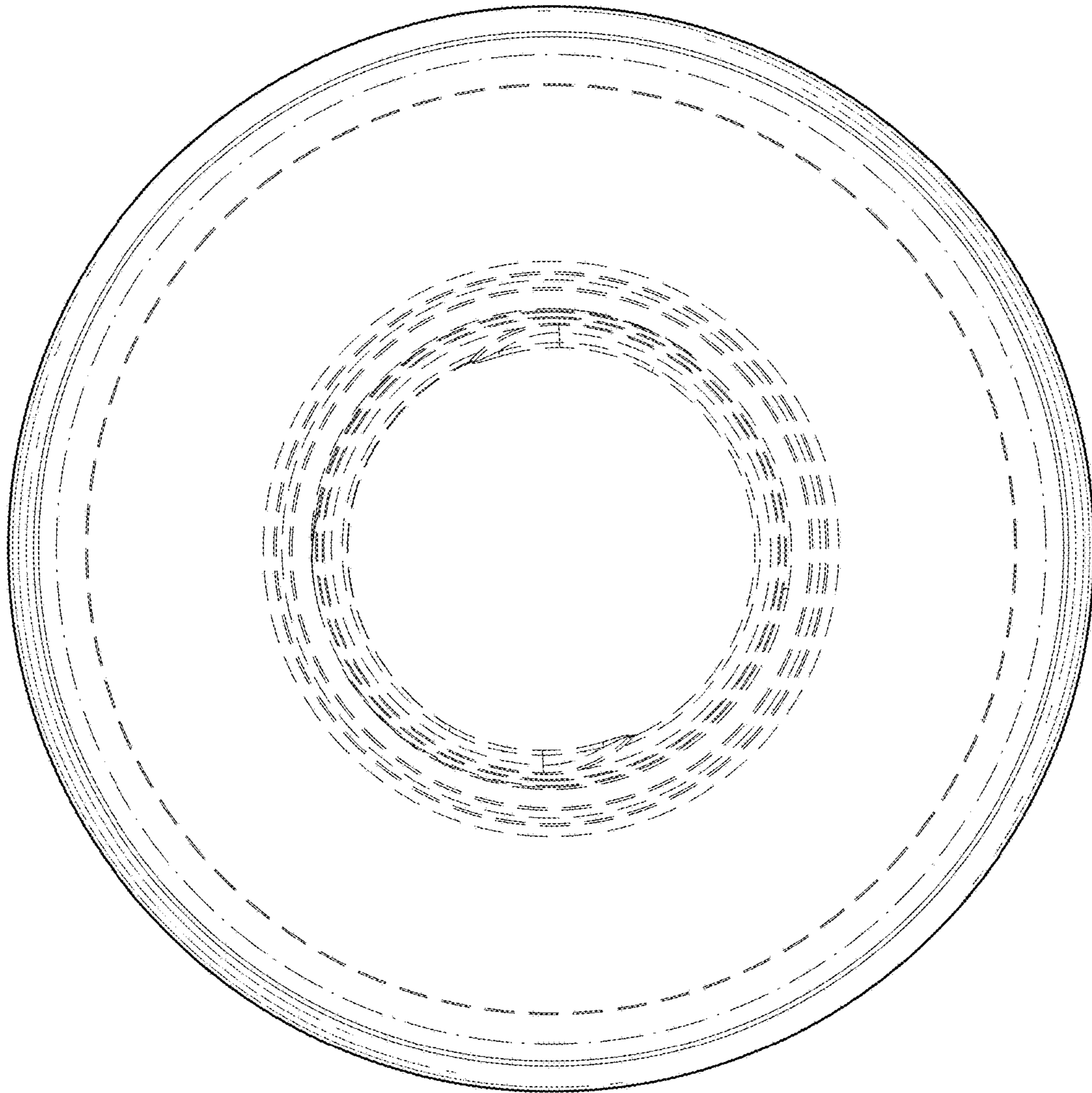
FIG. 3



**FIG. 4**



**FIG. 5**



**FIG. 6**