



US00D842028S

(12) **United States Design Patent** (10) **Patent No.:** **US D842,028 S**  
**Melanson et al.** (45) **Date of Patent:** **\*\* Mar. 5, 2019**

(54) **LID FOR A BEVERAGE CONTAINER**  
(71) Applicant: **OTTER PRODUCTS, LLC**, Fort Collins, CO (US)  
(72) Inventors: **Christopher J. Melanson**, Fort Collins, CO (US); **Shanshan Li**, Fort Collins, CO (US); **Ross V. Bulkley**, Loveland, CO (US); **Alex S. Breeden**, Fort Collins, CO (US); **Russell J. Goldfain**, Fort Collins, CO (US)  
(73) Assignee: **Otter Products, LLC**, Fort Collins, CO (US)  
(\*\*) Term: **15 Years**  
(21) Appl. No.: **29/603,412**  
(22) Filed: **May 9, 2017**  
(51) **LOC (11) Cl.** ..... **07-01**  
(52) **U.S. Cl.**  
USPC ..... **D7/392.1**  
(58) **Field of Classification Search**  
USPC ..... D7/391, 392, 392.1, 396.1, 396.2, 509, D7/510, 511, 514, 518; D9/435, 436, D9/440, 447, 451, 516, 530, 738  
CPC ..... B65D 47/127  
See application file for complete search history.

D415,651 S \* 10/1999 Trombly ..... D7/391  
6,059,140 A 5/2000 Hicks  
D429,118 S 8/2000 Hurlbut  
D441,288 S \* 5/2001 Pillers ..... D9/434  
D450,583 S \* 11/2001 Freed ..... D7/392.1  
D450,982 S 11/2001 Gaze et al.  
6,324,966 B1 12/2001 Joergensen  
D455,052 S 4/2002 Gullickson et al.  
(Continued)

**FOREIGN PATENT DOCUMENTS**

EP 2555658 A1 2/2013

**OTHER PUBLICATIONS**

US D775,903, 01/2017, Seiders et al. (withdrawn)  
(Continued)

*Primary Examiner* — George D. Kirschbaum  
*Assistant Examiner* — Kendra Leslie Hamilton

(57) **CLAIM**

The ornamental design for a lid for a beverage container, as shown and described.

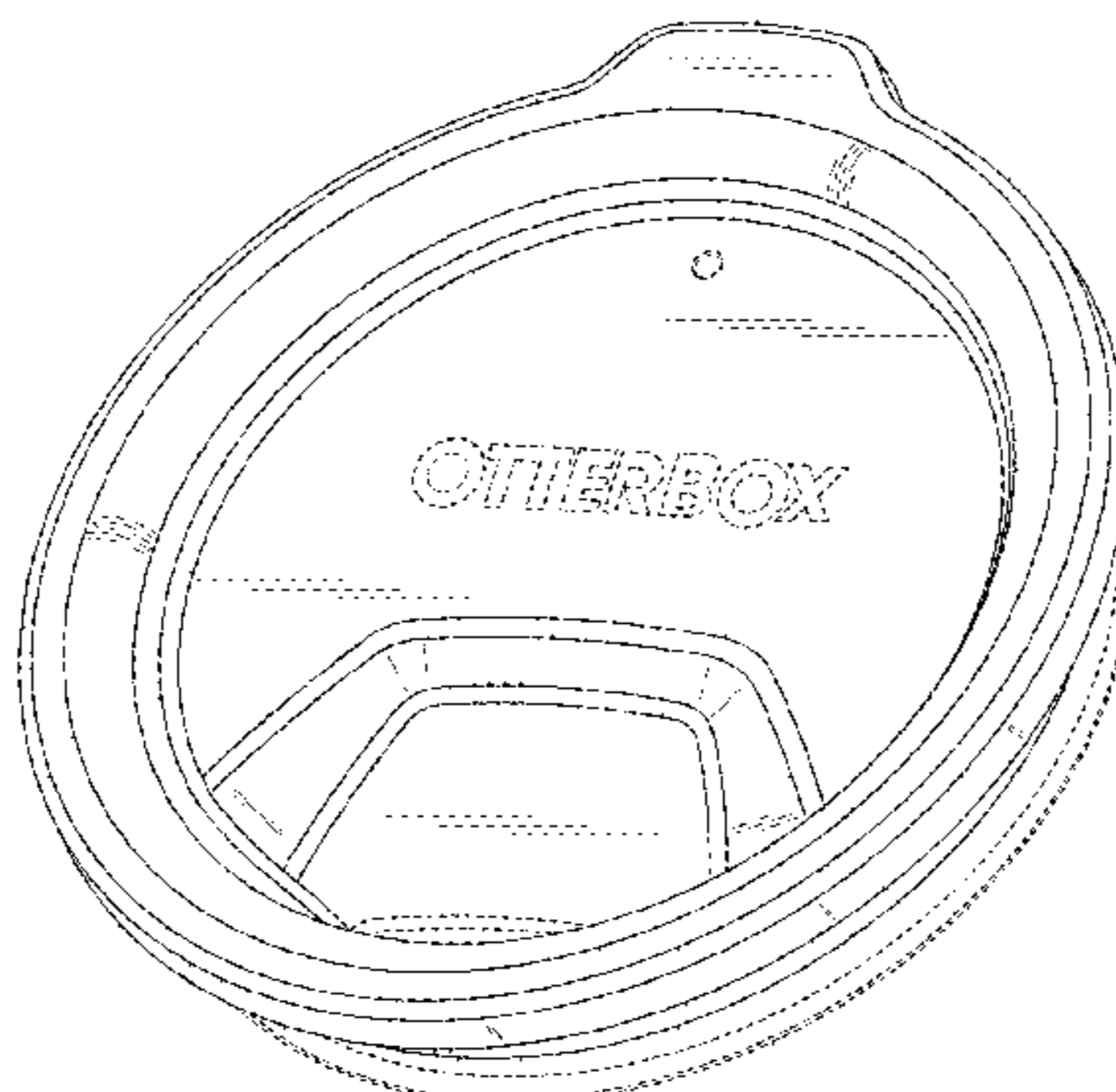
**DESCRIPTION**

FIG. 1 is a front, top perspective view of a lid for a beverage container showing our new design;  
FIG. 2 is a rear, bottom perspective view thereof;  
FIG. 3 is a front view thereof;  
FIG. 4 is a rear view thereof;  
FIG. 5 is a left view thereof;  
FIG. 6 is a right view thereof;  
FIG. 7 is a top view thereof; and,  
FIG. 8 is a bottom view thereof.  
The dash-dash broken lines throughout the drawing figures depict portions of the lid for a beverage container that form no part of the claimed design. The broken lines and unshaded surfaces bounded by broken lines form no part of the claimed design.

**1 Claim, 6 Drawing Sheets**

(56) **References Cited**  
**U.S. PATENT DOCUMENTS**

2,957,596 A 10/1960 Rehborg  
4,518,639 A 5/1985 Phillips  
D282,234 S 1/1986 Henderson  
D282,897 S 3/1986 Conti et al.  
D287,919 S \* 1/1987 Clements ..... D9/454  
D321,628 S 11/1991 Kobayashi et al.  
D371,304 S 7/1996 Onneweer  
D375,019 S 10/1996 Goto et al.  
D403,079 S 12/1998 Pawlak et al.  
5,909,821 A 6/1999 Guridi



(56)

## References Cited

## U.S. PATENT DOCUMENTS

D455,612 S	4/2002	Gullickson et al.	D732,392 S	6/2015	Duran et al.
D476,859 S	7/2003	Short	D732,899 S	6/2015	Seiders et al.
D479,800 S	9/2003	McRae	D733,497 S	7/2015	Sorensen et al.
6,626,326 B2	9/2003	Murakami	D736,622 S	8/2015	Nishijima et al.
D482,607 S	11/2003	McRae	9,107,541 B2	8/2015	Bodum
D488,960 S	4/2004	Wahl et al.	9,113,698 B2	8/2015	Blain et al.
7,011,227 B2	3/2006	Ward et al.	D739,174 S	9/2015	Elsaden et al.
D524,909 S	7/2006	Bakke et al.	9,139,352 B2	9/2015	Seiders et al.
D533,032 S	12/2006	Liu et al.	D740,605 S	10/2015	Wodka et al.
D547,607 S	7/2007	Forsman	D742,684 S	11/2015	Hurley et al.
D564,841 S	3/2008	Clemens et al.	D743,269 S	11/2015	Papé
D570,213 S *	6/2008	Newman ..... D9/447	9,187,232 B2	11/2015	Seiders
D572,981 S	7/2008	Carreno	D748,942 S	2/2016	Boroski et al.
D574,192 S	8/2008	Schösser	D751,338 S	3/2016	Seiders et al.
D584,569 S	1/2009	Buchman et al.	D751,339 S	3/2016	Seiders et al.
D584,925 S	1/2009	Buchman et al.	D751,340 S	3/2016	Seiders et al.
D587,533 S	3/2009	Carreno	D751,341 S	3/2016	Seiders et al.
D592,906 S	5/2009	Allen et al.	D752,347 S	3/2016	Seiders et al.
7,533,783 B2	5/2009	Choi et al.	D752,397 S	3/2016	Seiders et al.
D605,040 S	12/2009	Fry et al.	D753,482 S	4/2016	Serrano et al.
D621,257 S	8/2010	Gullickson et al.	D754,483 S	4/2016	Elsaden et al.
D623,480 S	9/2010	Moran	D754,486 S	4/2016	Ott
D623,481 S	9/2010	Moran	9,351,597 B2	5/2016	Liu et al.
D623,896 S	9/2010	Wahl et al.	D758,127 S	6/2016	Zhao
D626,837 S	11/2010	Meyers et al.	D758,137 S	6/2016	Soltz et al.
D628,018 S	11/2010	Gilbert	D758,791 S	6/2016	Hanna et al.
D630,093 S	1/2011	Bardet	D759,485 S	6/2016	Boroski et al.
D631,284 S *	1/2011	Fuller ..... D7/392.1	D760,026 S	6/2016	Smith et al.
D639,177 S	6/2011	Pape	D760,586 S	7/2016	Seiders et al.
D651,847 S	1/2012	Gilbert	D761,609 S	7/2016	Gamelli et al.
D656,360 S	3/2012	Miller et al.	D761,619 S	7/2016	Seiders et al.
D657,196 S	4/2012	Beyers	D762,117 S	7/2016	Joseph et al.
D659,007 S	5/2012	Pape	9,387,961 B2 *	7/2016	Mithal ..... B65D 43/0212
8,191,727 B2	6/2012	Davies et al.	D762,418 S	8/2016	Sorensen et al.
8,251,247 B1	8/2012	Breckner	D764,787 S	8/2016	Montminy
D672,198 S	12/2012	Soltz et al.	D766,029 S	9/2016	Lin
D672,618 S	12/2012	Stamper et al.	D766,652 S	9/2016	Joseph et al.
D672,648 S	12/2012	Goto et al.	D767,328 S	9/2016	Boroski et al.
D675,059 S	1/2013	Carreno	D768,437 S	10/2016	Lane
D682,034 S	5/2013	El-Saden et al.	D769,046 S	10/2016	Beckman et al.
8,469,226 B2	6/2013	Davies et al.	9,456,710 B2	10/2016	Blain et al.
D686,871 S	7/2013	Lane	9,462,904 B2	10/2016	Coon et al.
D689,331 S	9/2013	Staton	D770,222 S	11/2016	Boroski et al.
D690,988 S *	10/2013	Audette ..... D7/392.1	D771,990 S	11/2016	Horowitz
8,602,238 B2	12/2013	El-Saden et al.	D772,064 S	11/2016	Boroski et al.
D697,798 S	1/2014	Sorensen et al.	9,505,527 B1	11/2016	Campbell
8,622,237 B2	1/2014	Choi et al.	D774,359 S	12/2016	Boroski
D699,996 S	2/2014	Leo	D774,363 S	12/2016	Seiders et al.
D700,012 S	2/2014	Hurley et al.	D774,837 S	12/2016	Seiders et al.
D700,802 S	3/2014	Miller	D775,892 S	1/2017	Smith
D702,092 S	4/2014	Mettler et al.	D777,508 S	1/2017	Goodwin et al.
8,695,830 B2	4/2014	Meyers et al.	D779,285 S	2/2017	Seiders et al.
D707,124 S	6/2014	Blain et al.	D779,891 S	2/2017	Seiders et al.
8,777,048 B2	7/2014	Choi et al.	D779,892 S	2/2017	Seiders et al.
D712,254 S	9/2014	Geis et al.	D780,530 S	3/2017	Seiders et al.
D712,720 S	9/2014	Seiders	D780,531 S	3/2017	Seiders et al.
D712,721 S	9/2014	Seiders	D780,532 S	3/2017	Seiders et al.
D712,722 S	9/2014	Seiders	D780,533 S	3/2017	Seiders et al.
D712,723 S	9/2014	Seiders	D780,577 S	3/2017	Seiders et al.
D714,125 S	9/2014	Seiders	D781,145 S	3/2017	Seiders et al.
8,844,762 B2	9/2014	Chiou et al.	D781,146 S	3/2017	Seiders et al.
D716,657 S	11/2014	Caneer	D781,662 S	3/2017	Seiders et al.
8,905,252 B2	12/2014	Latham et al.	D782,881 S	4/2017	Seiders et al.
8,910,819 B2	12/2014	Seiders	D783,367 S	4/2017	Seiders et al.
8,939,305 B2	1/2015	Meyers et al.	D783,368 S	4/2017	Seiders et al.
D722,474 S	2/2015	Seiders	D784,775 S	4/2017	Seiders et al.
D722,475 S	2/2015	Seiders	D786,025 S	5/2017	Seiders et al.
D725,966 S	4/2015	Boroski et al.	D787,893 S	5/2017	Seiders et al.
D727,097 S	4/2015	Sorensen et al.	D787,894 S	5/2017	Seiders et al.
D727,457 S	4/2015	Seiders	9,637,270 B2	5/2017	Campbell
D729,579 S	5/2015	Molayem	D788,527 S	6/2017	Smith et al.
D731,614 S	6/2015	Seiders	D788,544 S	6/2017	Seiders et al.
D732,348 S	6/2015	Seiders et al.	D790,285 S	6/2017	Seiders et al.
D732,349 S	6/2015	Seiders et al.	D790,920 S	7/2017	Goodwin et al.
D732,350 S	6/2015	Seiders et al.	D791,532 S	7/2017	Yao
			D791,543 S *	7/2017	Mulhauser ..... D7/510
			D791,549 S	7/2017	Goodwin et al.
			D792,215 S	7/2017	Eyal
			9,694,953 B2	7/2017	Meyers et al.



(56)

References Cited

OTHER PUBLICATIONS

U.S. PATENT DOCUMENTS

D793,165 S 8/2017 Rummel et al.  
 D794,397 S 8/2017 Seiders et al.  
 D795,007 S \* 8/2017 Plassmeyer ..... D7/392.1  
 D795,008 S 8/2017 Eyal  
 D795,012 S 8/2017 Rummel et al.  
 D795,019 S 8/2017 Seiders et al.  
 D795,020 S 8/2017 Seiders et al.  
 D795,646 S 8/2017 Sorensen et al.  
 D798,105 S 9/2017 Stover et al.  
 9,771,189 B2 9/2017 Miksovsky et al.  
 D798,668 S 10/2017 Steel et al.  
 D799,320 S 10/2017 Goodwin et al.  
 D799,906 S 10/2017 Seiders et al.  
 D799,907 S 10/2017 Seiders et al.  
 D799,908 S 10/2017 Seiders et al.  
 D800,501 S 10/2017 Rummel et al.  
 D801,046 S 10/2017 Bores  
 9,776,777 B2 10/2017 Gorbald  
 9,782,028 B2 10/2017 Davies et al.  
 D802,419 S 11/2017 Seiders et al.  
 D802,994 S 11/2017 Seiders et al.  
 D803,619 S 11/2017 Seiders et al.  
 D803,632 S 11/2017 Seiders et al.  
 D803,684 S 11/2017 Seiders et al.  
 D804,254 S 12/2017 Seiders et al.  
 D804,255 S 12/2017 Seiders et al.  
 D804,256 S 12/2017 Seiders et al.  
 D804,910 S 12/2017 Steel et al.  
 D805,354 S 12/2017 Bielawski  
 D805,852 S 12/2017 Seiders et al.  
 D807,125 S 1/2018 Seiders et al.  
 D807,126 S 1/2018 Seiders et al.  
 2005/0046211 A1 3/2005 Nole et al.  
 2006/0016819 A1 1/2006 Paslawski et al.  
 2007/0175931 A1 8/2007 Leoncavallo et al.  
 2007/0240580 A1 \* 10/2007 Lusareta ..... B65D 47/06  
 99/279  
 2008/0011762 A1 \* 1/2008 Boone ..... B65D 43/0212  
 220/713  
 2008/0017654 A1 1/2008 Chu  
 2008/0087624 A1 4/2008 Buckley  
 2011/0147421 A1 6/2011 Pedrol  
 2011/0278216 A1 11/2011 Hull et al.  
 2012/0152968 A1 \* 6/2012 Bailey ..... B65D 43/0212  
 220/713  
 2013/0043263 A1 2/2013 Yang  
 2013/0240549 A1 9/2013 Beggins et al.  
 2014/0061208 A1 3/2014 Boyd  
 2014/0360908 A1 12/2014 Sorensen et al.  
 2016/0153690 A1 6/2016 Patsis et al.  
 2016/0270602 A1 9/2016 Casey  
 2016/0318693 A1 11/2016 Hein et al.  
 2017/0121073 A1 5/2017 Seiders et al.

“Otterbox Elevation Tumbler”. Found online Dec. 15, 2018 at amazon.com. Page dated Jul. 10, 2018. Retrieved from <https://www.amazon.com/OtterBox-Elevation-Tumbler-Global-Stainless/dp/B00Z7RVVN6>.\*

“Silver Bufalo 20 oz Stainless Steel Tumbler”. Found online Jun. 13, 2018 at amazon.com. Page dated Dec. 22, 2016. Retrieved from <https://www.amazon.com/Silver-Buffalo-Stainless-Steel-Tumbler/dp/B01MT1T7WG>.\*

“Ninja Single Serve Cup Set, 16-Ounce”. Found online Mar. 9, 2017 at amazon.com. Page dated Jul. 13, 2013. Retrieved from [https://www.amazon.com/...UTF8&pd\\_rd\\_i=B011W4XD8&pd\\_rd\\_r=4CQK27ABX6AHV038GMGF&pd\\_rd\\_w=jABEu&pd\\_rd\\_wg=zg0K2&pssc=1&refRID=4CQK27ABX6AHV038GMGF](https://www.amazon.com/...UTF8&pd_rd_i=B011W4XD8&pd_rd_r=4CQK27ABX6AHV038GMGF&pd_rd_w=jABEu&pd_rd_wg=zg0K2&pssc=1&refRID=4CQK27ABX6AHV038GMGF).\*

“Liquid Logic Pro32 Tumbler”. Found online Jun. 13, 2018 at amazon.com. Page dated Apr. 5, 2016. Retrieved from [https://www.amazon.com/Pro32-Insulated-Condensation-Tumbler-Stainless/dp/B01DUBM6C0/ref=lp\\_2595554011\\_1\\_7?srs=2595554011&ie=UTF8&qid=1528925575&sr=8-7](https://www.amazon.com/Pro32-Insulated-Condensation-Tumbler-Stainless/dp/B01DUBM6C0/ref=lp_2595554011_1_7?srs=2595554011&ie=UTF8&qid=1528925575&sr=8-7).\*

Brittany A. Roston, Slash Gear, “Venture Coolers are like the camping version of OtterBox phone cases,” May 9, 2017, downloaded from <https://www.slashgear.com/venture-coolers-are-like-the-camping-version-of-otterbox-phone-cases-09484519/>, 5 pages.

Genuine Thermos Brand, Mugs & Tumblers, downloaded from [http://www.thermos.com/product\\_catalog.aspx?CatCode=MUGS](http://www.thermos.com/product_catalog.aspx?CatCode=MUGS) May 8, 2017, 5 pages.

Kevin Curry, Gear & Grit, “OtterBox Just Beat Yeti at Its own Game with Their Venture Line of Coolers,” downloaded from <https://gearandgrit.com/otterbox-venture-cooler/> May 9, 2017, 5 pages.

Otter Products, Inc, OtterBox Outdoor Venture Coolers and Elevation Tumblers, downloaded from <http://www.otterbox.com/en-us/outdoor-coming-soon-html> May 9, 2017, 2 pages.

OtterBox, PR Newswire “Unrule the Outdoors with New OtterBox Venture Coolers”, downloaded from <http://www.prnewswire.com/news-releases/unrule-the-outdoors-with-new-otterbox-venture-coolers-300453988.html> May 9, 2017, 3 pages.

Pelican Consumer, Traveler Tumbler Series Drinkware, downloaded from <http://www.pelican.com/us/en/products/drinkware> May 8, 2017, 2 pages.

Tervis Official Store, Shaker Top, downloaded from <http://www.tervis.com/shaker-top> May 8, 2017, 4 pages.

Tervis Official Store, Stainless Steel Tumblers, downloaded from <http://www.tervis.com/stainless-steel> May 8, 2017, 4 pages.

Tervis Official Store, Travel Lids, downloaded from <http://www.tervis.com/travel-lids> May 8, 2017, 11 pages.

Yeti Coolers, Rambler Drinkware Series, downloaded from <http://yeti.com/rambler> May 8, 2017, 6 pages.

Yeti Coolers, Yeti Accessories & Parts, downloaded May 8, 2017 from <http://yeti.com/accessories>, 5 pages.

\* cited by examiner



FIG. 1

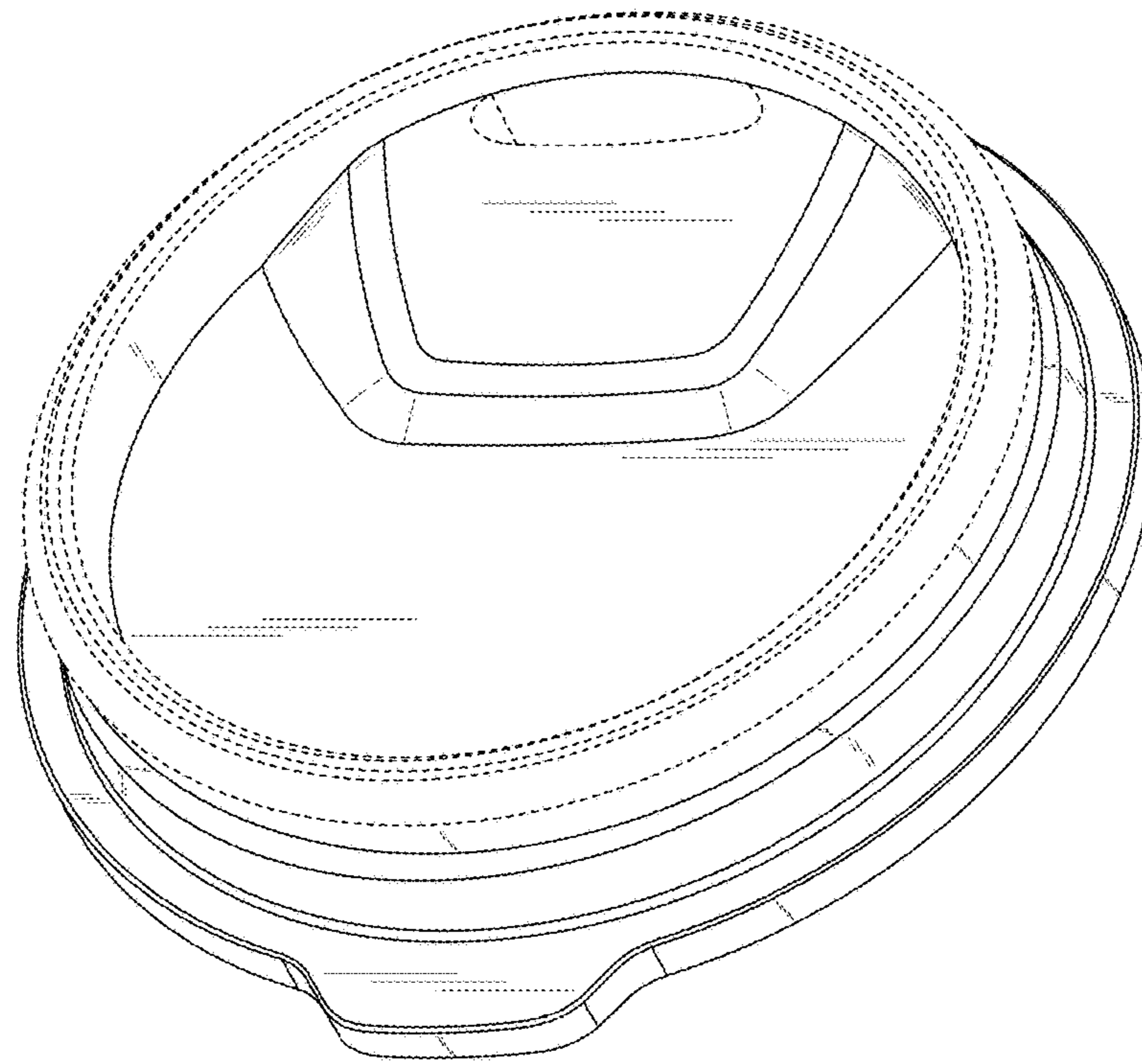


FIG. 2

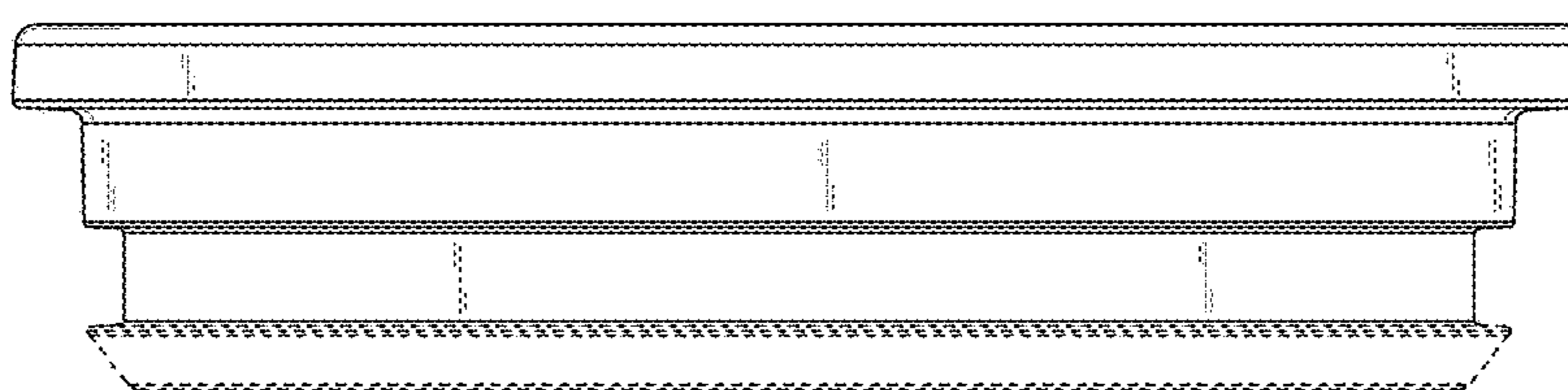


FIG. 3

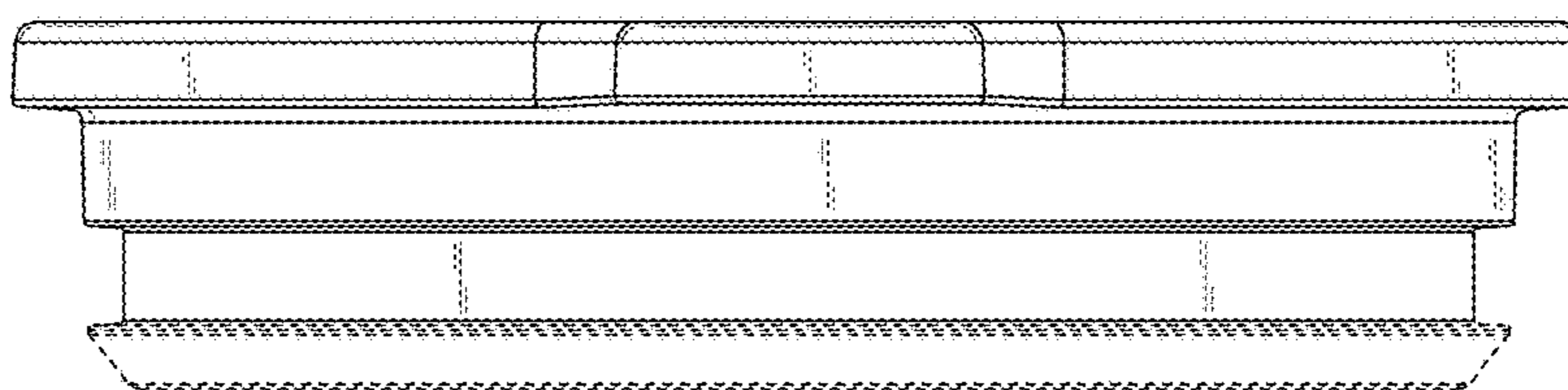


FIG. 4



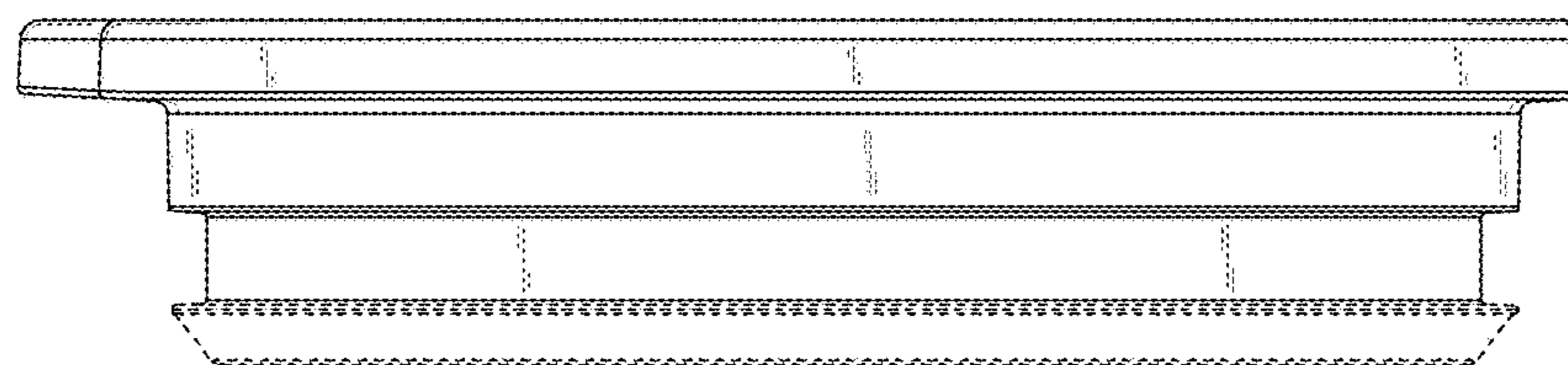


FIG. 5

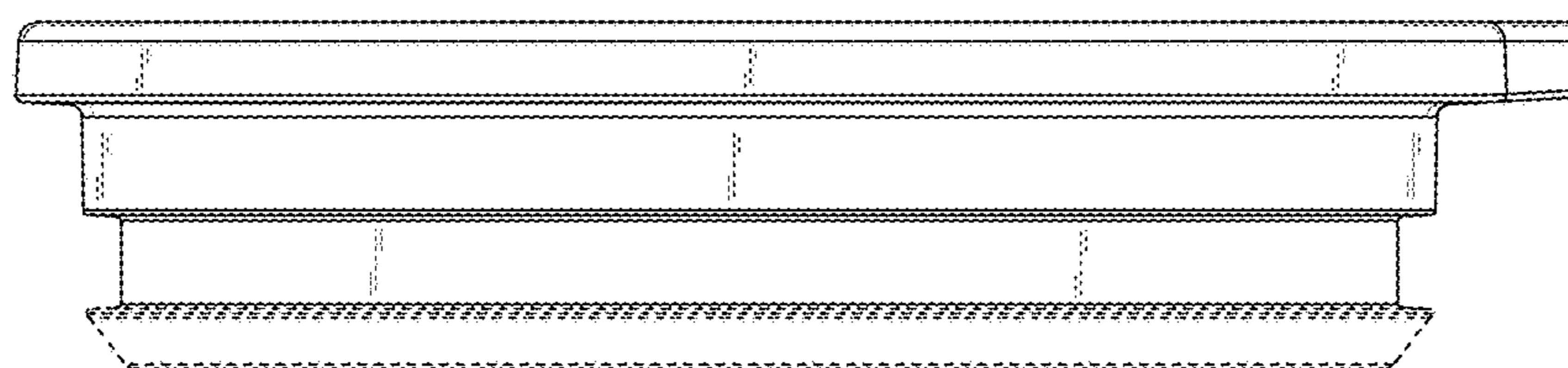


FIG. 6

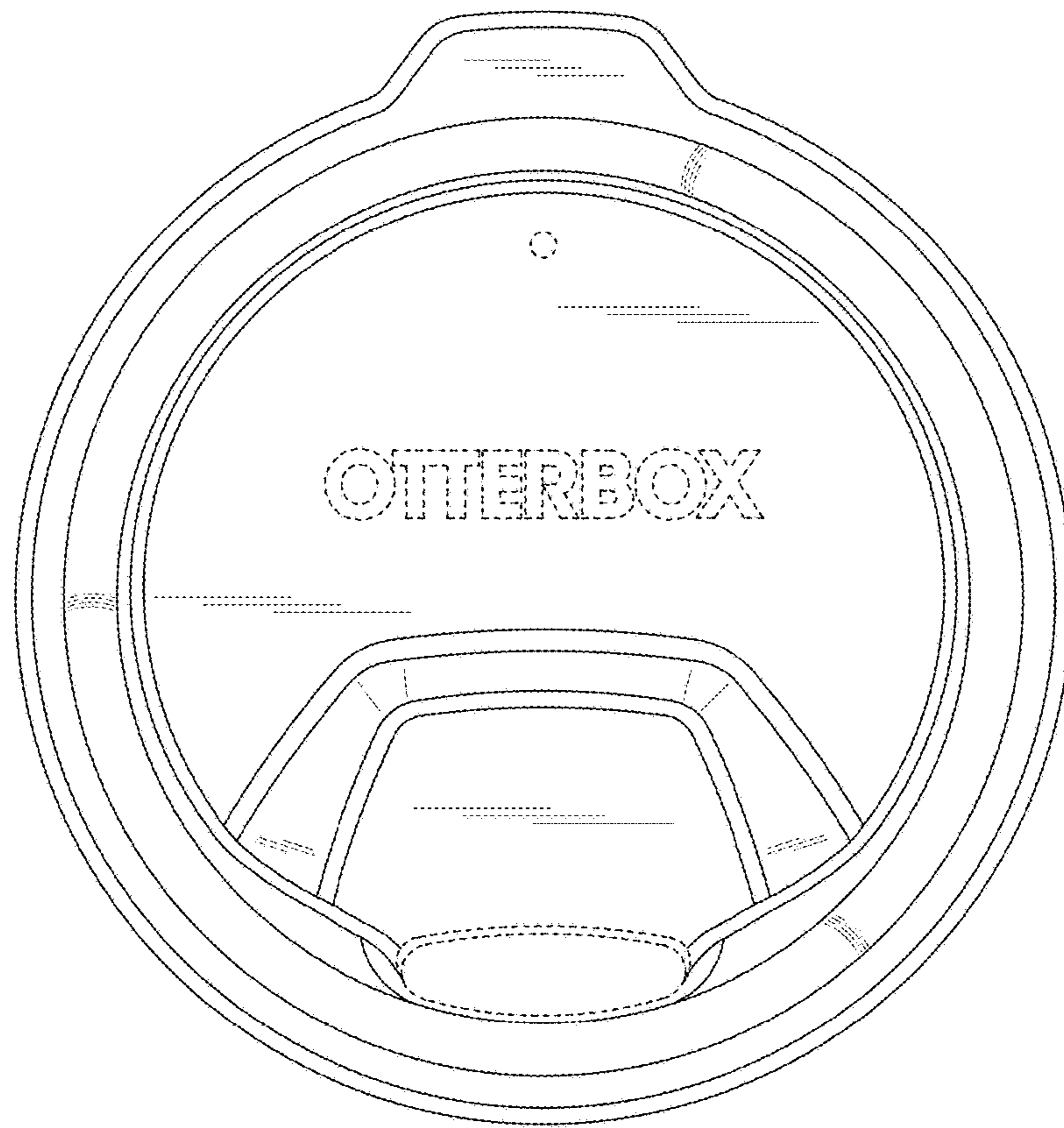


FIG. 7



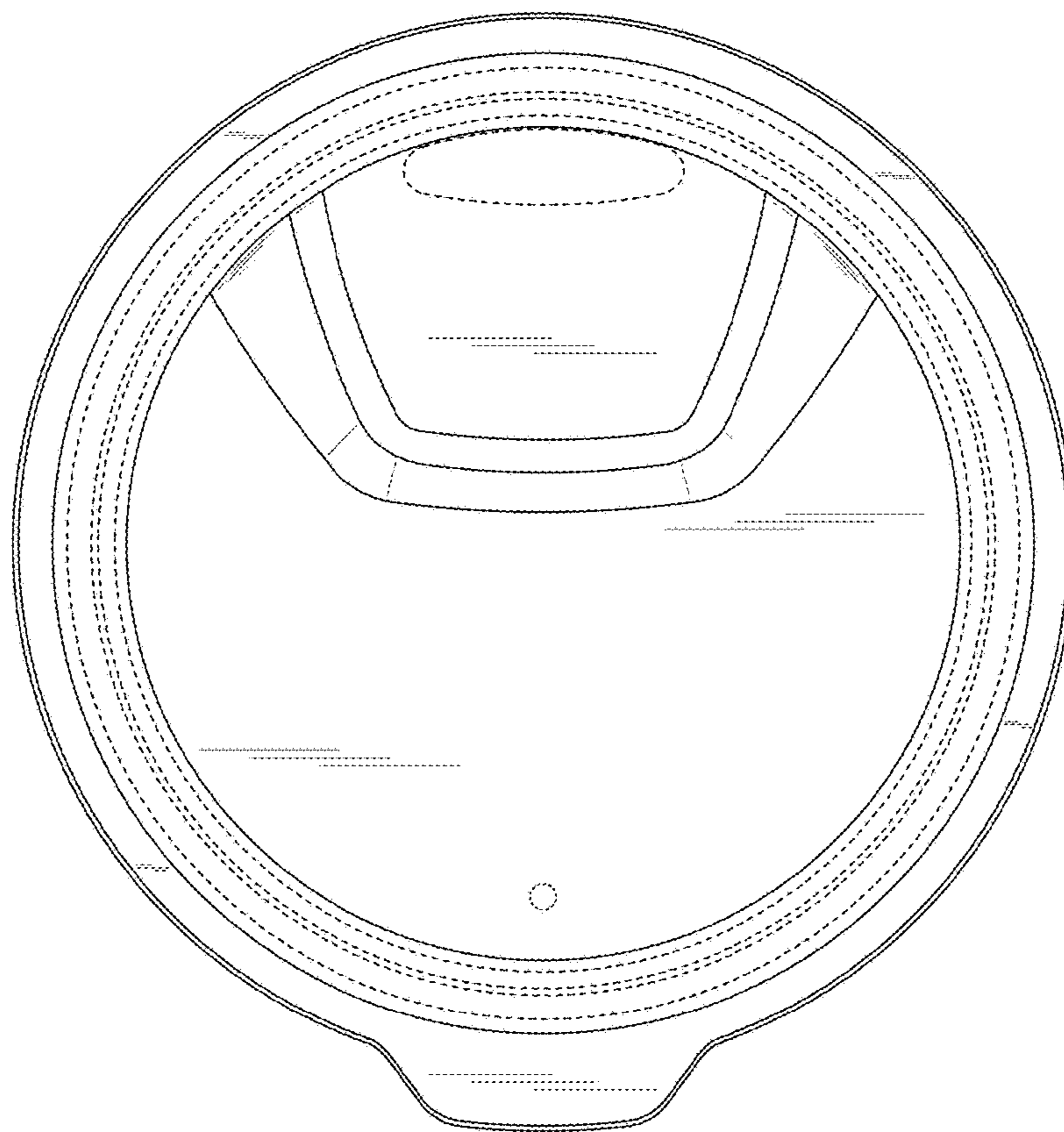


FIG. 8