



US00D842027S

(12) **United States Design Patent** (10) **Patent No.:** **US D842,027 S**
Boroski (45) **Date of Patent:** **** *Mar. 5, 2019**

(54) **LID**
(71) Applicant: **THERMOS L.L.C.**, Schaumburg, IL (US)
(72) Inventor: **Dwayne Boroski**, Lake in the Hills, IL (US)
(73) Assignee: **Thermos L.L.C.**, Schaumburg, IL (US)
(*) Notice: This patent is subject to a terminal disclaimer.
(**) Term: **15 Years**
(21) Appl. No.: **29/580,584**
(22) Filed: **Oct. 11, 2016**
(51) **LOC (11) Cl.** **07-01**
(52) **U.S. Cl.**
USPC **D7/392.1**
(58) **Field of Classification Search**
USPC D7/391, 392, 392.1, 396.1, 396.2, 397, D7/509, 510, 543, 629; D9/435, 443, D9/447, 449, 516
CPC B65D 2543/0092; B65D 47/122
See application file for complete search history.

(56) **References Cited**
U.S. PATENT DOCUMENTS
D368,224 S * 3/1996 Arndt D9/436
D462,615 S * 9/2002 Weil D9/428
D543,776 S * 6/2007 Yelland D7/392.1
D615,360 S * 5/2010 Joy D7/510
D713,672 S * 9/2014 Ho D7/392.1
9,272,822 B2 * 3/2016 Samartgis B65D 47/12
D758,791 S * 6/2016 Hanna D7/392.1
D758,859 S * 6/2016 Sorensen D7/393
D760,586 S 7/2016 Seiders et al.
D764,916 S * 8/2016 Mount, III D9/443
D780,577 S 3/2017 Seiders et al.

D781,145 S 3/2017 Seiders et al.
D781,146 S 3/2017 Seiders et al.
D782,881 S 4/2017 Seiders et al.
D783,368 S 4/2017 Seiders et al.
D791,532 S * 7/2017 Yao D7/392.1
D795,008 S * 8/2017 Eyal D7/392.1
2015/0230651 A1 * 8/2015 Molayem A47J 31/0636
99/322
2016/0318693 A1 * 11/2016 Hein B65D 41/0442

OTHER PUBLICATIONS

“KOLD Sports Water Bottle”. Found online Jun. 7, 2017 at amazon.com. Page dated Dec. 1, 2015. Retrieved from https://www.amazon.com/KOLD-Sports-Water-Bottles-Insulated/dp/B018YHK79E/ref=cm_cr_arp_d_product_top?ie=UTF8.*

(Continued)

Primary Examiner — Robert M. Spear
Assistant Examiner — Kendra Leslie Hamilton
(74) *Attorney, Agent, or Firm* — Polsinelli PC

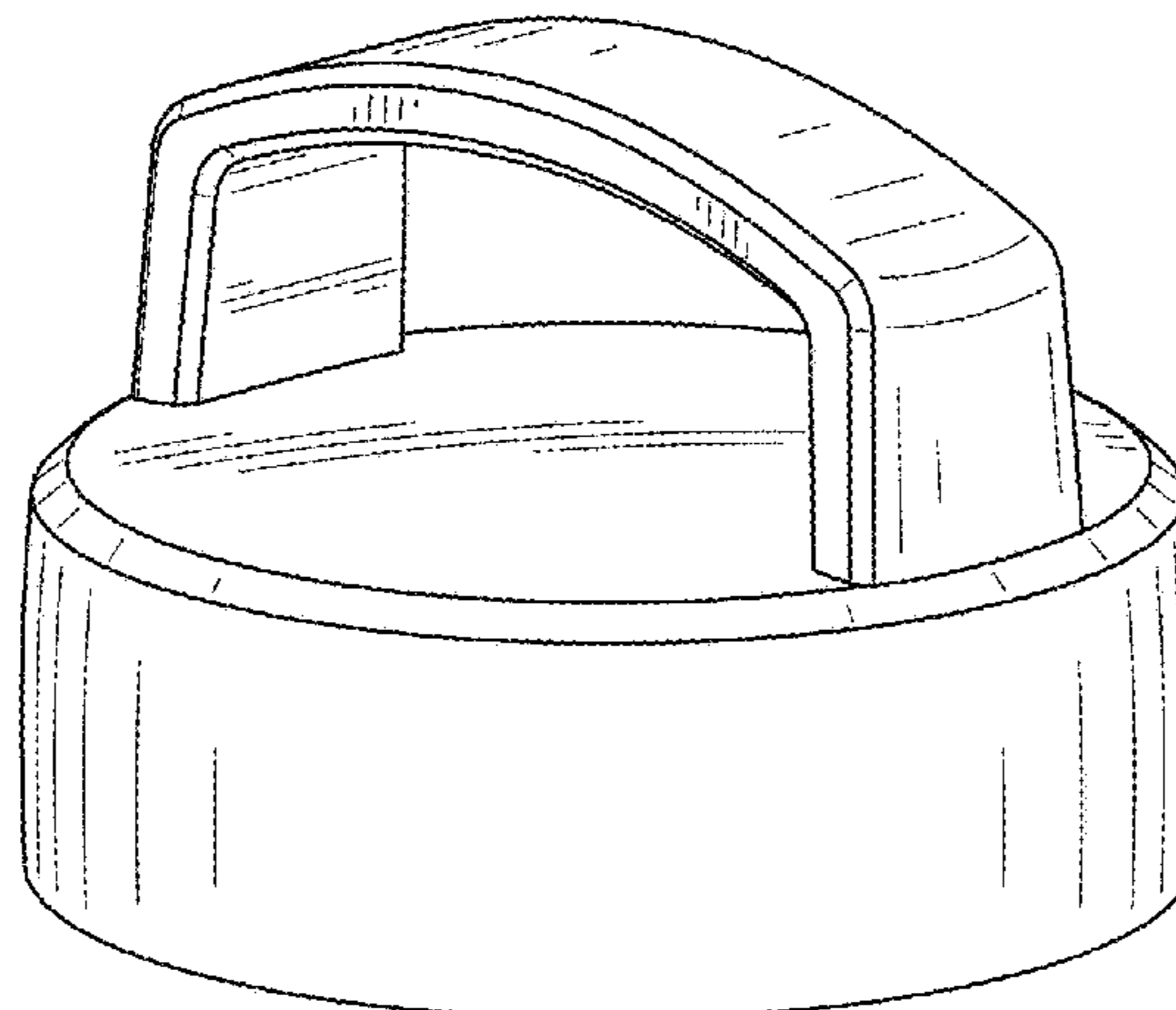
(57) **CLAIM**

The ornamental design for a lid, as shown and described.

DESCRIPTION

FIG. 1 is a top perspective view of the lid;
FIG. 2 is a bottom perspective view of the lid;
FIG. 3 is a front view of the lid;
FIG. 4 is a rear view of the lid;
FIG. 5 is a right side view of the lid;
FIG. 6 is a left side view of the lid;
FIG. 7 is a top view of the lid; and,
FIG. 8 is a bottom view of the lid.
The broken lines showing in the figures are included for the purpose of illustrating portions of the lid that form no part of the claimed design. The dash-dot lines showing in the figures are included for defining the bounds of the claimed design that form no part thereof.

1 Claim, 4 Drawing Sheets



(56)

References Cited

OTHER PUBLICATIONS

“Klear Loop Cap Handle Lid”. Found online Jun. 7, 2017 at amazon.com. Page dated Jul. 4, 2016. Retrieved from https://www.amazon.com/Klear-Handle-Bottle-Hydro-Flask/dp/B01EXKSRLQ/ref=cm_cr_ar_p_d_product_top?ie=UTF8.*

“h2go Elevate, h2go Inspire”. Found online Jun. 12, 2017 at twitter.com. Page dated Jan. 21, 2015. Retrieved from <https://twitter.com/etsexpress/status/557997114589196288>.*

“Review: YETI Heavy-Duty ‘Rambler Bottles’”. Found online Jun. 12, 2017 at gearjunkie.com. Page dated Apr. 1, 2016. Retrieved from <https://gearjunkie.com/yeti-rambler-water-bottle-review>.*

* cited by examiner

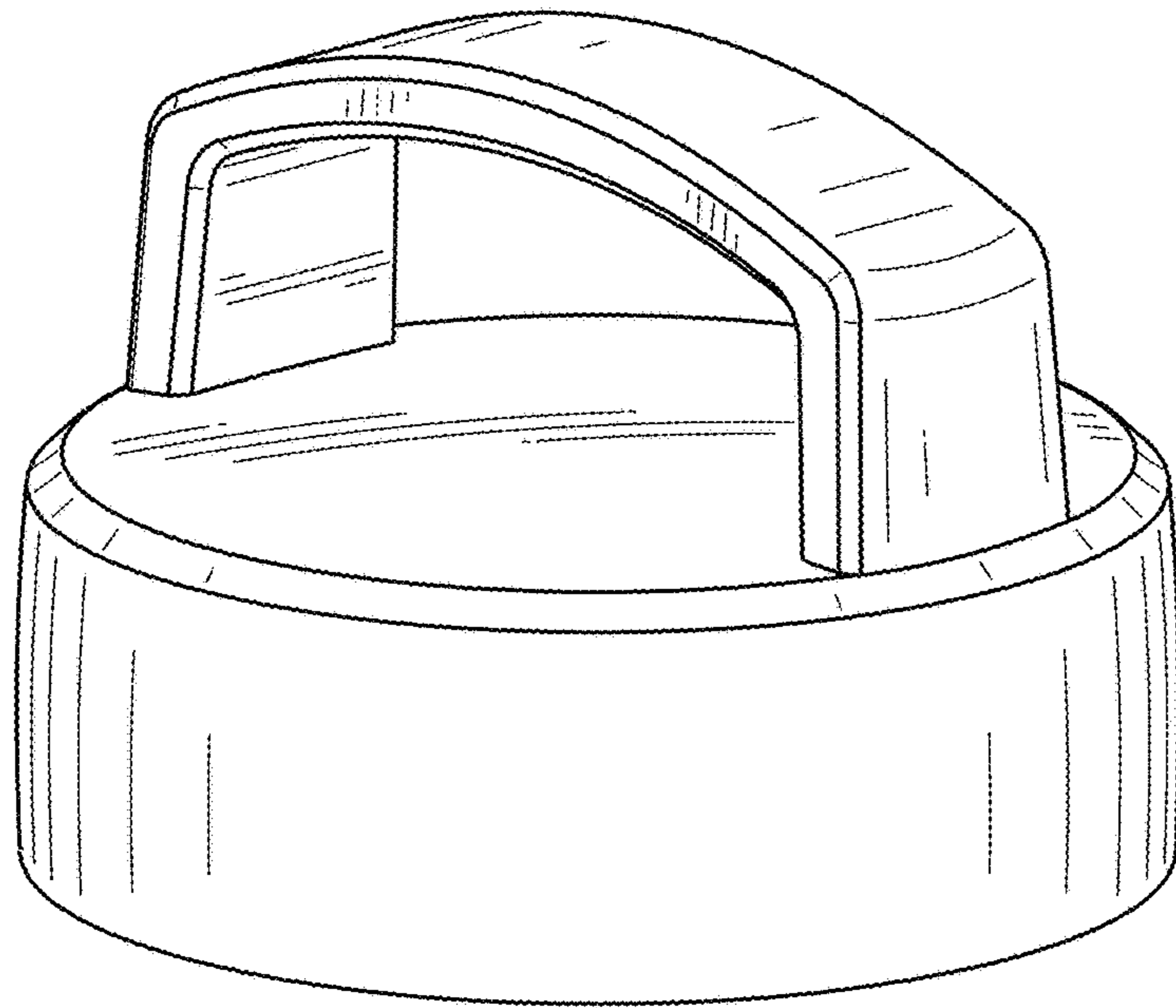


FIG. 1

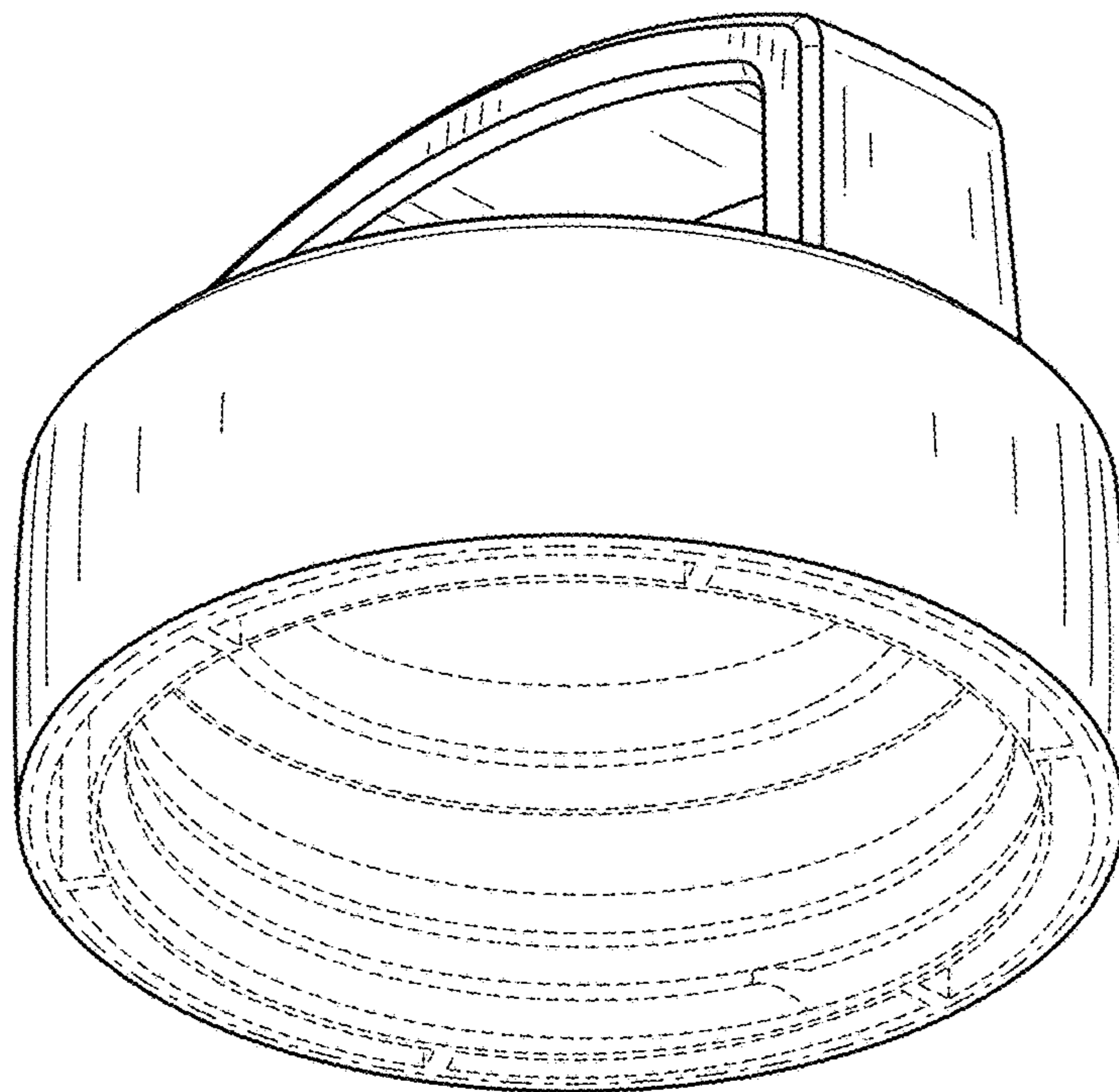


FIG. 2

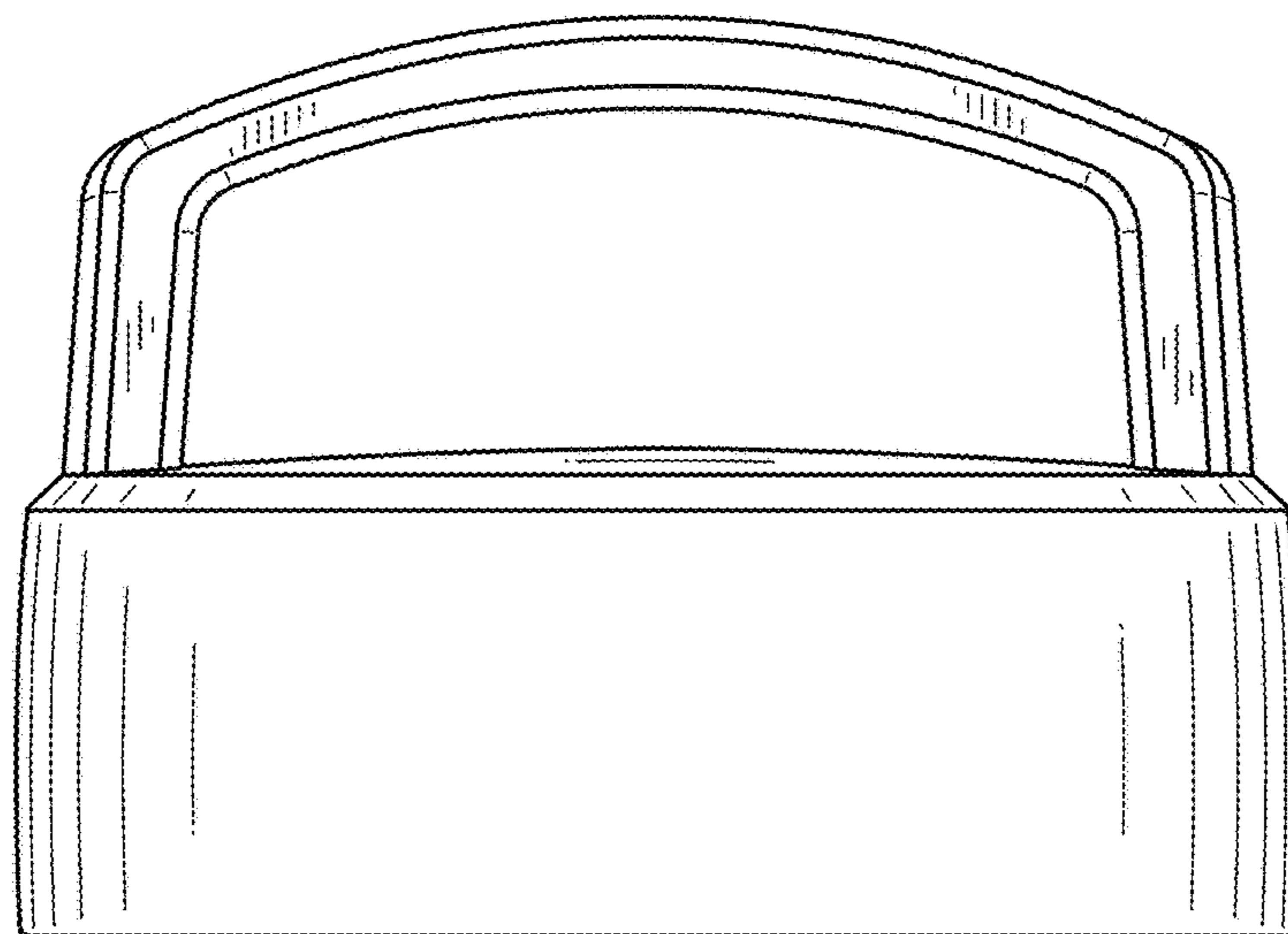


FIG. 3

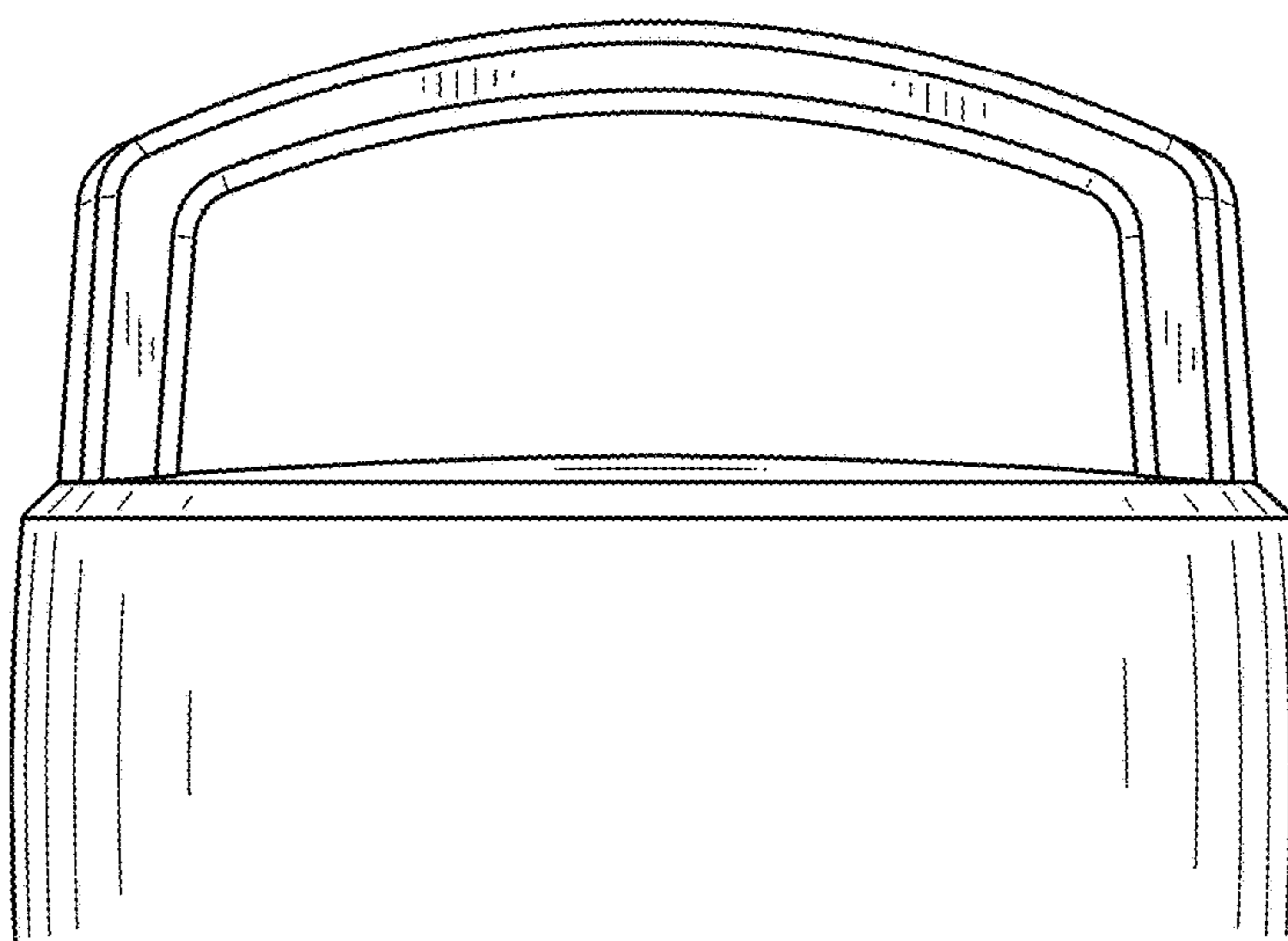


FIG. 4

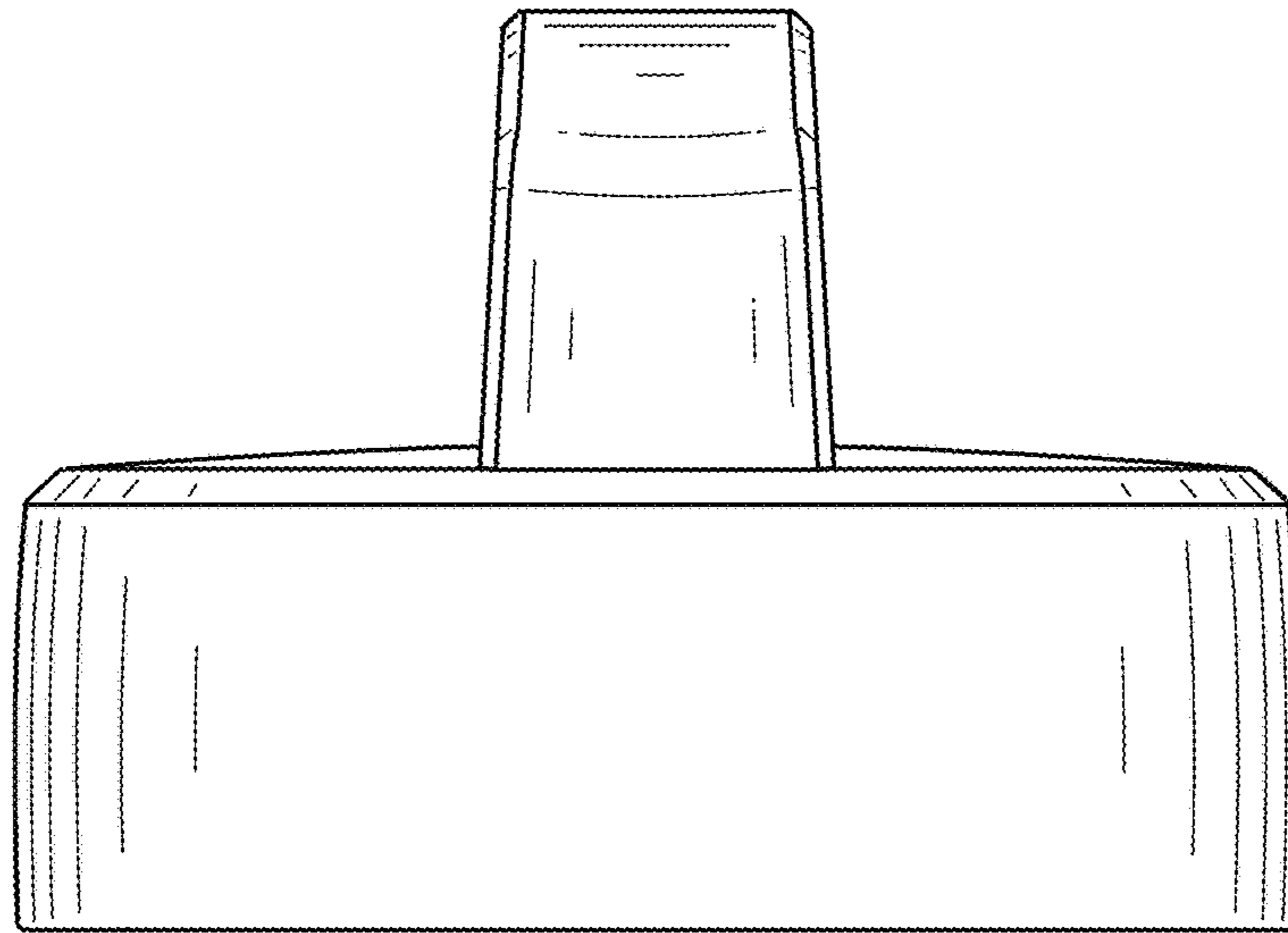


FIG. 5

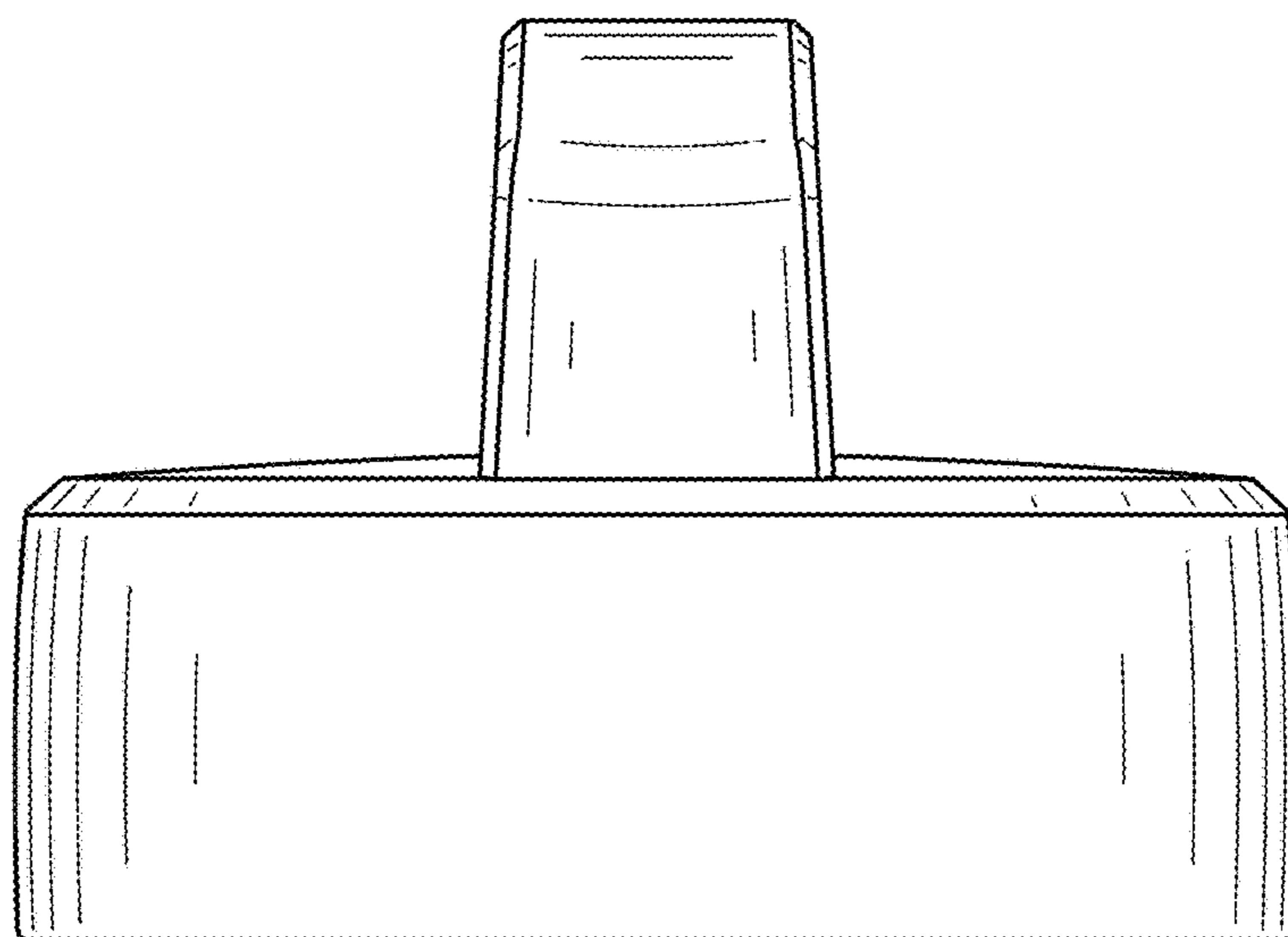


FIG. 6

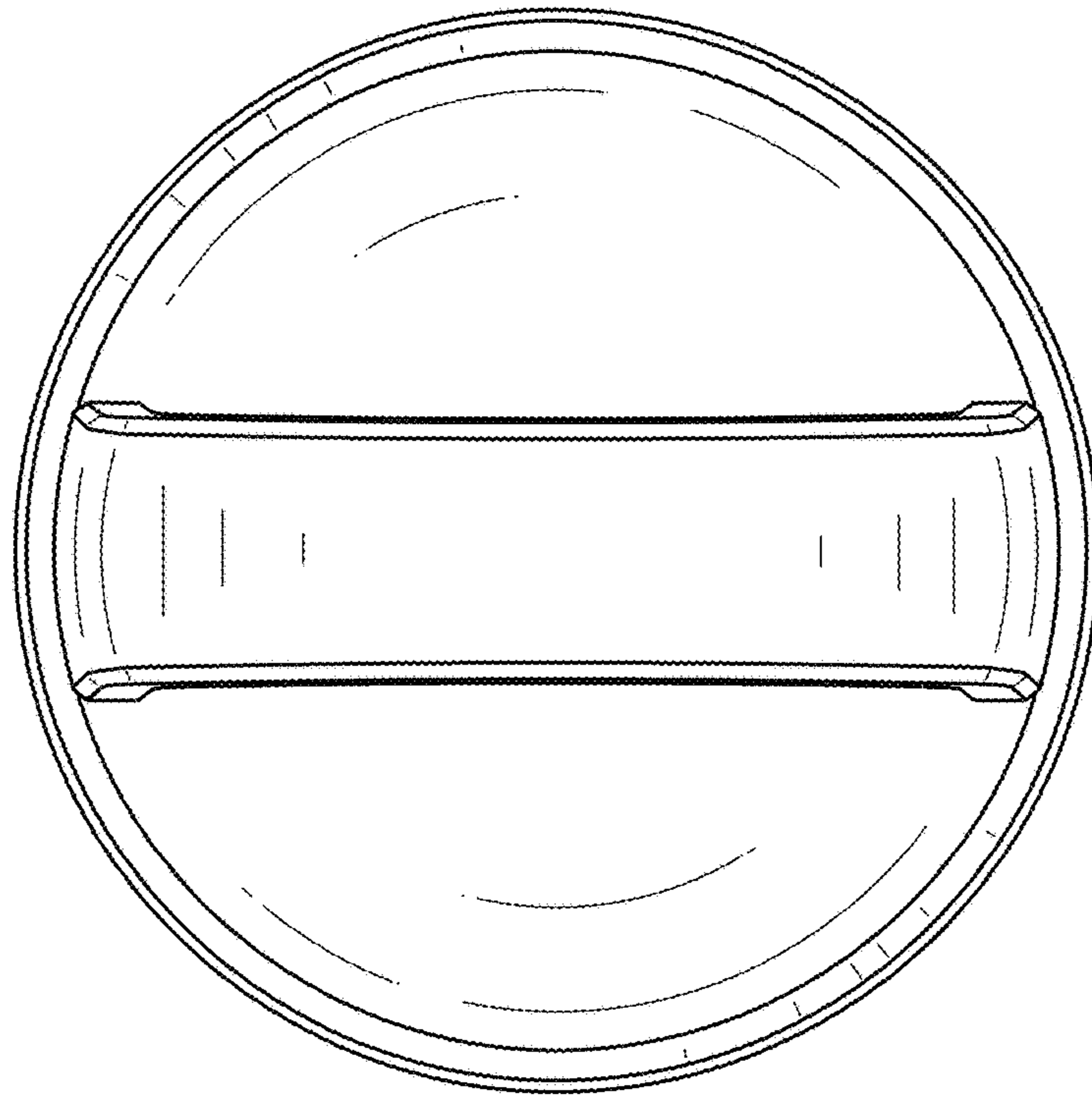


FIG. 7

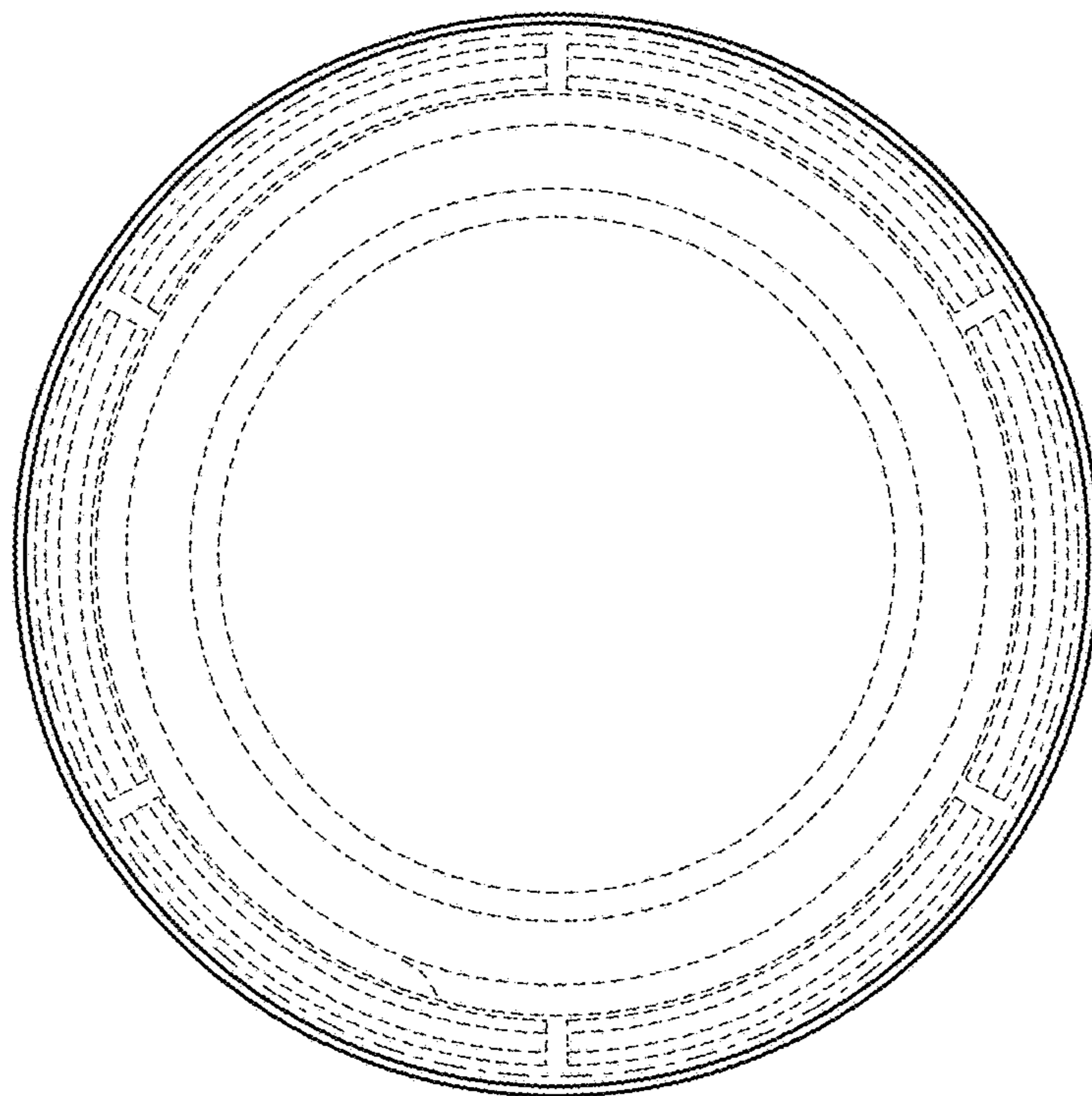


FIG. 8