



US00D842025S

(12) **United States Design Patent**
Hauser

(10) **Patent No.:** **US D842,025 S**
(45) **Date of Patent:** **** Mar. 5, 2019**

- (54) **TOWER CHOPPER**
- (71) Applicant: **Progressive International Corporation, Kent, WA (US)**
- (72) Inventor: **Lawrence Michael Hauser, Federal Way, WA (US)**
- (73) Assignee: **PROGRESSIVE INTERNATIONAL CORPORATION, Kent, WA (US)**
- (**) Term: **15 Years**

928,019 A	7/1909	Bartow	
1,504,501 A	8/1924	Pope	
1,674,475 A	6/1928	Loomis	
2,030,975 A	2/1936	Fairchild	
2,309,814 A	2/1943	Youngberg	
2,485,877 A	10/1949	Hamilton, Jr.	
D176,819 S *	1/1956	Rodwick	D20/7
D187,684 S *	4/1960	Hauser	D7/378
3,077,213 A	2/1963	Germano	
D200,494 S *	3/1965	Bezark	D7/378
3,216,474 A	11/1965	Popeil	
3,601,249 A	8/1971	Larsson	
3,997,072 A	12/1976	Guth	
4,095,339 A	6/1978	Turner	

(Continued)

- (21) Appl. No.: **29/637,902**
- (22) Filed: **Feb. 22, 2018**
- (51) **LOC (11) Cl.** **31-00**
- (52) **U.S. Cl.**
USPC **D7/381; D7/376; D7/384; D7/412**
- (58) **Field of Classification Search**
USPC **D7/368, 372, 376-386, 412-413, 602, D7/629, 665-666, 669, 679, 693-694; D15/79**
CPC **A21C 1/02; A21C 1/04; A23N 1/00; A23N 1/02; A47J 43/04; A47J 43/25; A47J 43/27; A47J 43/042; A47J 43/044; A47J 43/046; A47J 43/075; A47J 43/0722; A47J 43/0727; B01F 3/00; B01F 3/0807; B01F 3/0853; B01F 13/0059; B01F 13/0064; B02C 1/08; B02C 2/04; B02C 4/42; B02C 4/142; B02C 4/143; B02C 4/423; B02C 13/1835; B28C 5/10; B28C 5/12; B28C 5/14; B28C 5/16**
See application file for complete search history.

(56) **References Cited**

U.S. PATENT DOCUMENTS

113,023 A	3/1871	Crawford
662,588 A	11/1900	Bloom
751,433 A	2/1904	Kennedy
809,952 A	1/1906	Hoffa

FOREIGN PATENT DOCUMENTS

DE	29810599	10/1998
GB	2286110	8/1995

(Continued)

Primary Examiner — Ricky Pham
(74) *Attorney, Agent, or Firm* — Lowe Graham Jones PLLC

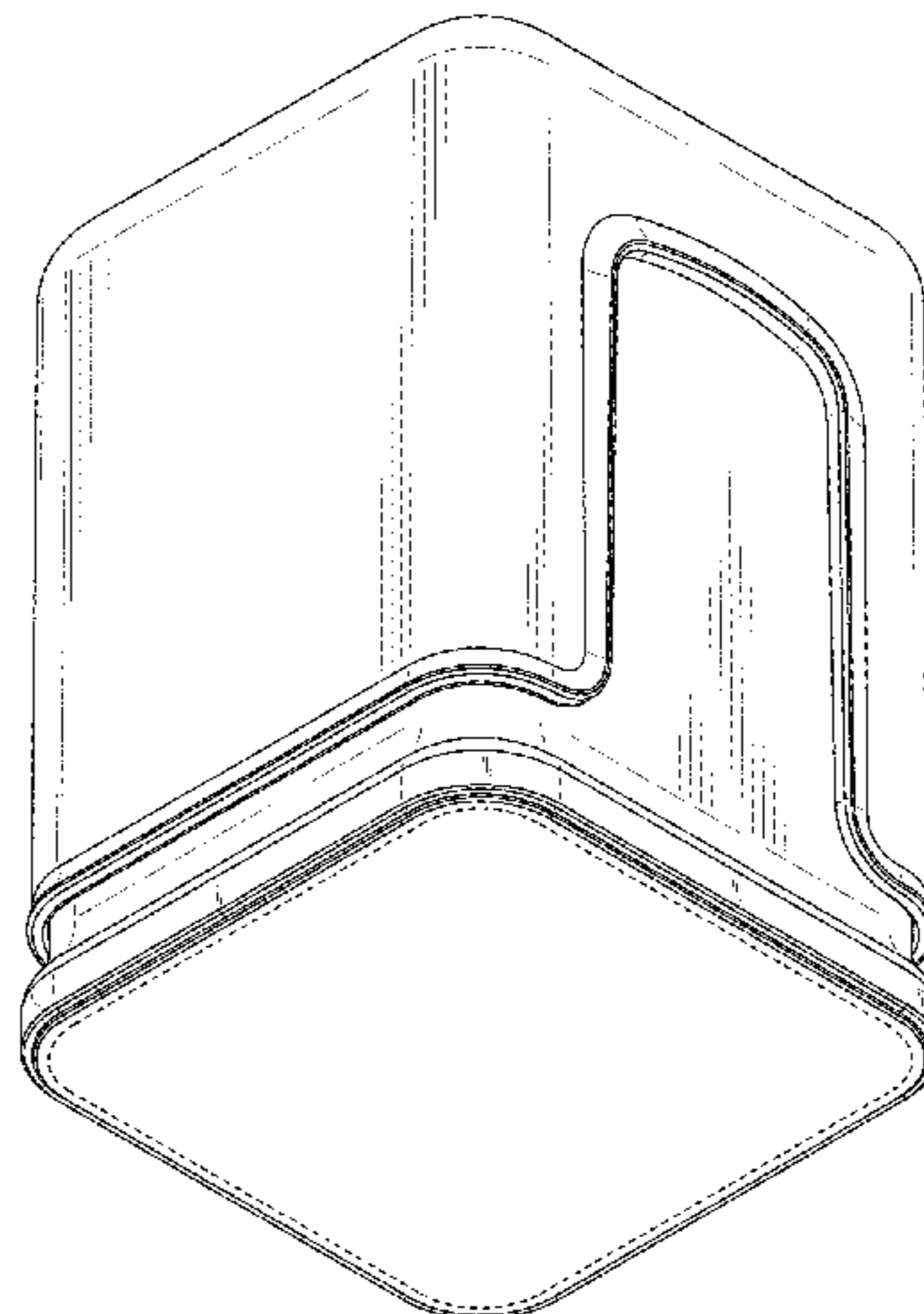
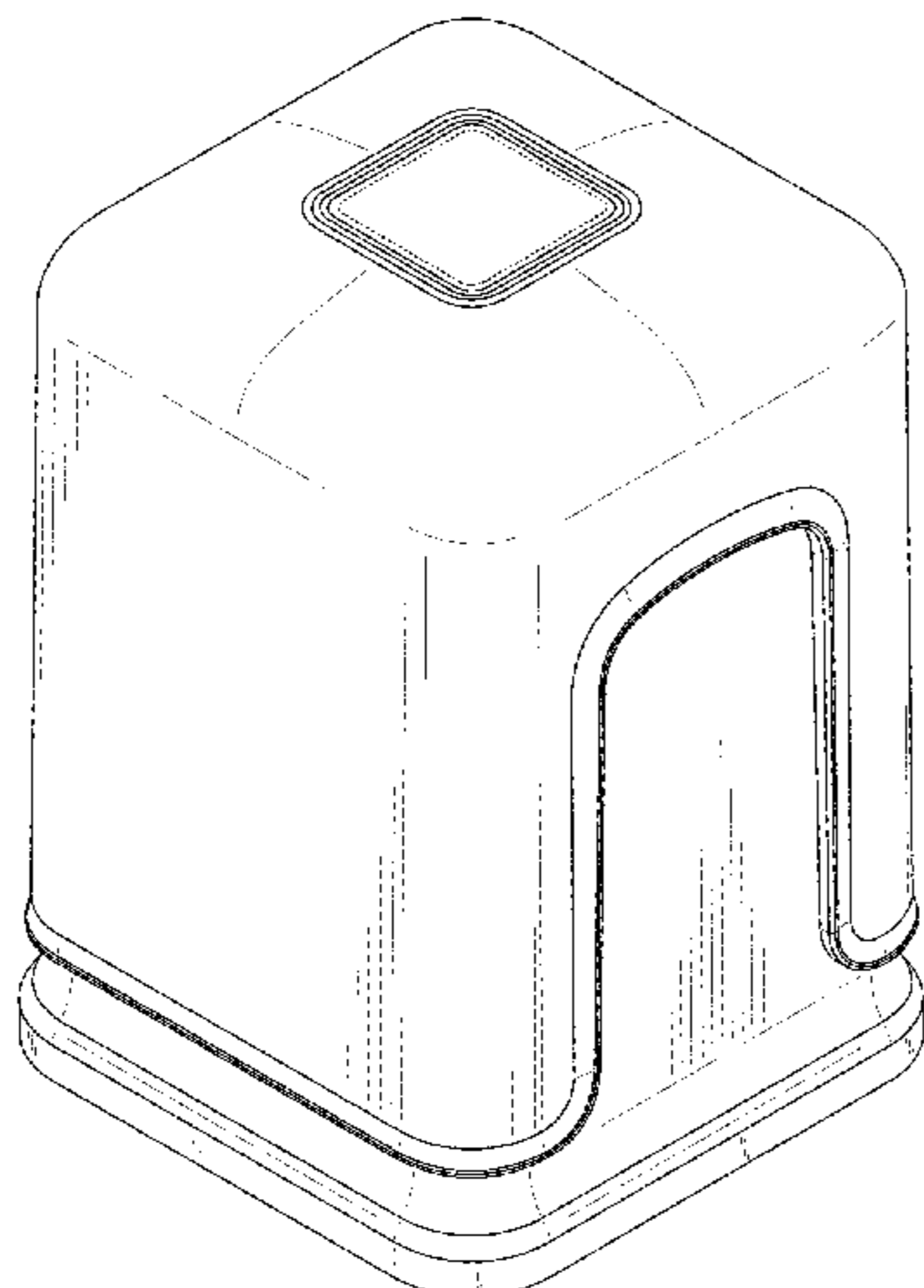
(57) **CLAIM**

I claim the ornamental design for a tower chopper, as shown and described.

DESCRIPTION

FIG. 1 is a top perspective view of a tower chopper, showing my new design.
FIG. 2 is a bottom perspective view of the tower chopper.
FIG. 3 is a front elevational view of the tower chopper, the rear view being identical.
FIG. 4 is a right side elevational view of the tower chopper, the left side being identical.
FIG. 5 is a top plan view of the tower chopper; and,
FIG. 6 is a bottom view of the tower chopper.
Features illustrated in broken lines form no part of the claimed design.

1 Claim, 6 Drawing Sheets



(56)

References Cited

U.S. PATENT DOCUMENTS

4,212,431 A 7/1980 Doyel
 4,457,070 A 7/1984 Reeves
 4,557,053 A 12/1985 Hadley, Jr.
 4,573,384 A 3/1986 Jones
 4,574,479 A 3/1986 Gramann
 4,670,987 A 6/1987 Casey, Jr.
 4,759,148 A 7/1988 Love
 4,805,843 A 2/1989 Draper
 4,924,575 A 5/1990 James
 5,098,286 A 3/1992 York
 5,121,679 A 6/1992 Mertz
 D331,687 S 12/1992 Gilbert
 5,245,902 A 9/1993 Pereira
 5,271,317 A 12/1993 Aguerrevere et al.
 5,303,472 A 4/1994 Mbanugo
 5,337,480 A 8/1994 Codikow
 5,499,578 A 3/1996 Payne
 5,516,038 A 5/1996 Zaccarini
 5,562,533 A 10/1996 Gallagher
 5,692,424 A 12/1997 Wallace
 D388,665 S 1/1998 So
 5,704,485 A 1/1998 Cautereels et al.
 5,937,525 A 8/1999 Chan

5,967,875 A 10/1999 Graef
 6,047,625 A 4/2000 Mendenhall
 D428,301 S * 7/2000 Huang D7/381
 D432,864 S * 10/2000 Kindig D7/412
 6,209,439 B1 4/2001 Repac et al.
 D447,391 S 9/2001 Bodum
 6,293,445 B1 9/2001 Miller
 6,336,552 B1 1/2002 Meier
 6,558,244 B1 5/2003 Nedelka
 6,601,491 B1 8/2003 Jensen
 D485,328 S 1/2004 Jastrzembski
 6,726,266 B2 4/2004 May
 6,799,495 B2 10/2004 Jensen
 6,802,149 B1 10/2004 Albanese, Jr. et al.
 D534,189 S * 12/2006 Ball D15/79
 D542,085 S * 5/2007 Reyes D7/386
 D582,719 S * 12/2008 Kaposi D7/378
 D752,914 S * 4/2016 Freissler D7/376
 D808,210 S * 1/2018 Jetton D7/368

FOREIGN PATENT DOCUMENTS

WO 02064331 8/2002
 WO 2005090029 9/2005
 WO 2008052492 5/2008

* cited by examiner

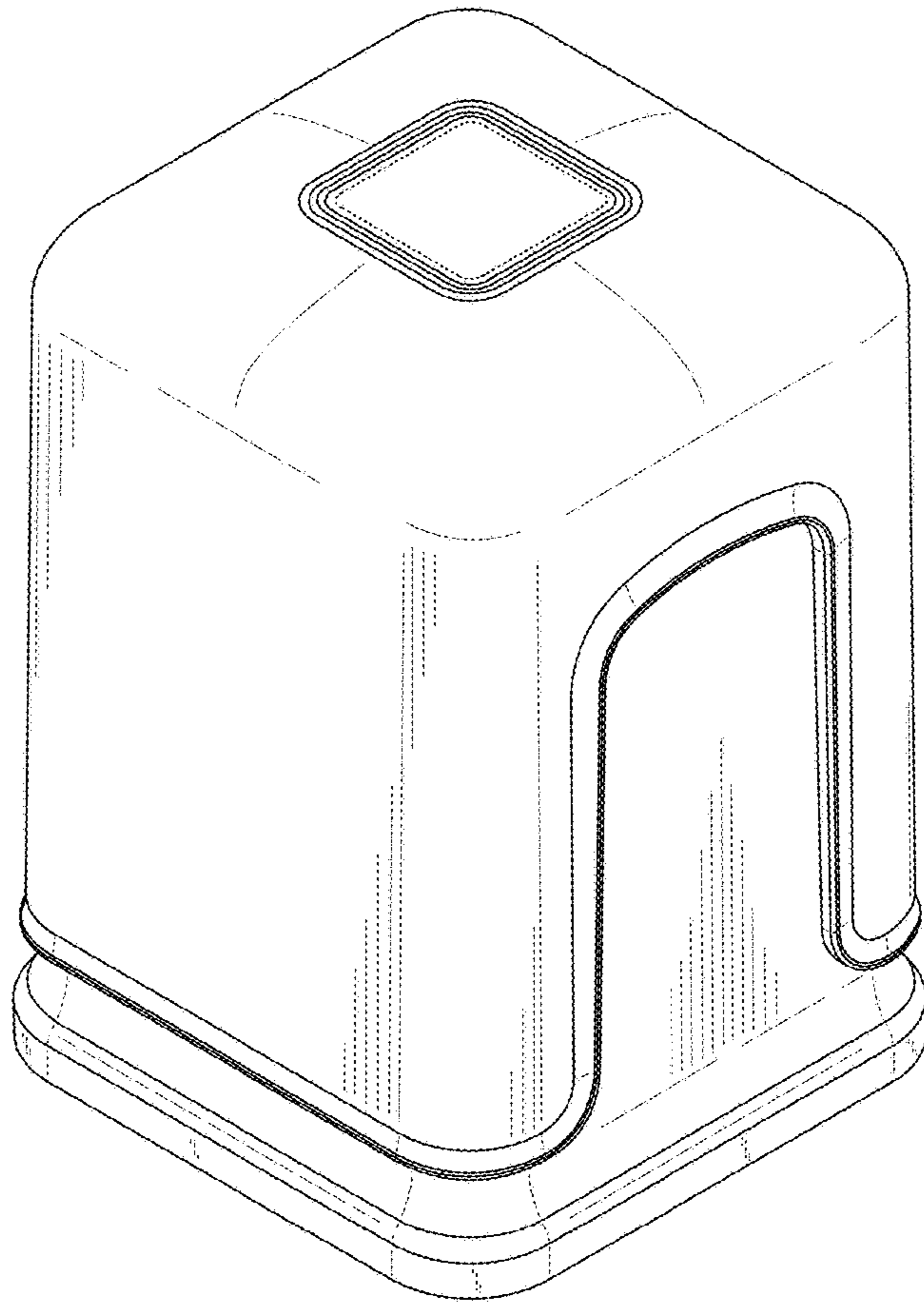


FIG. 1

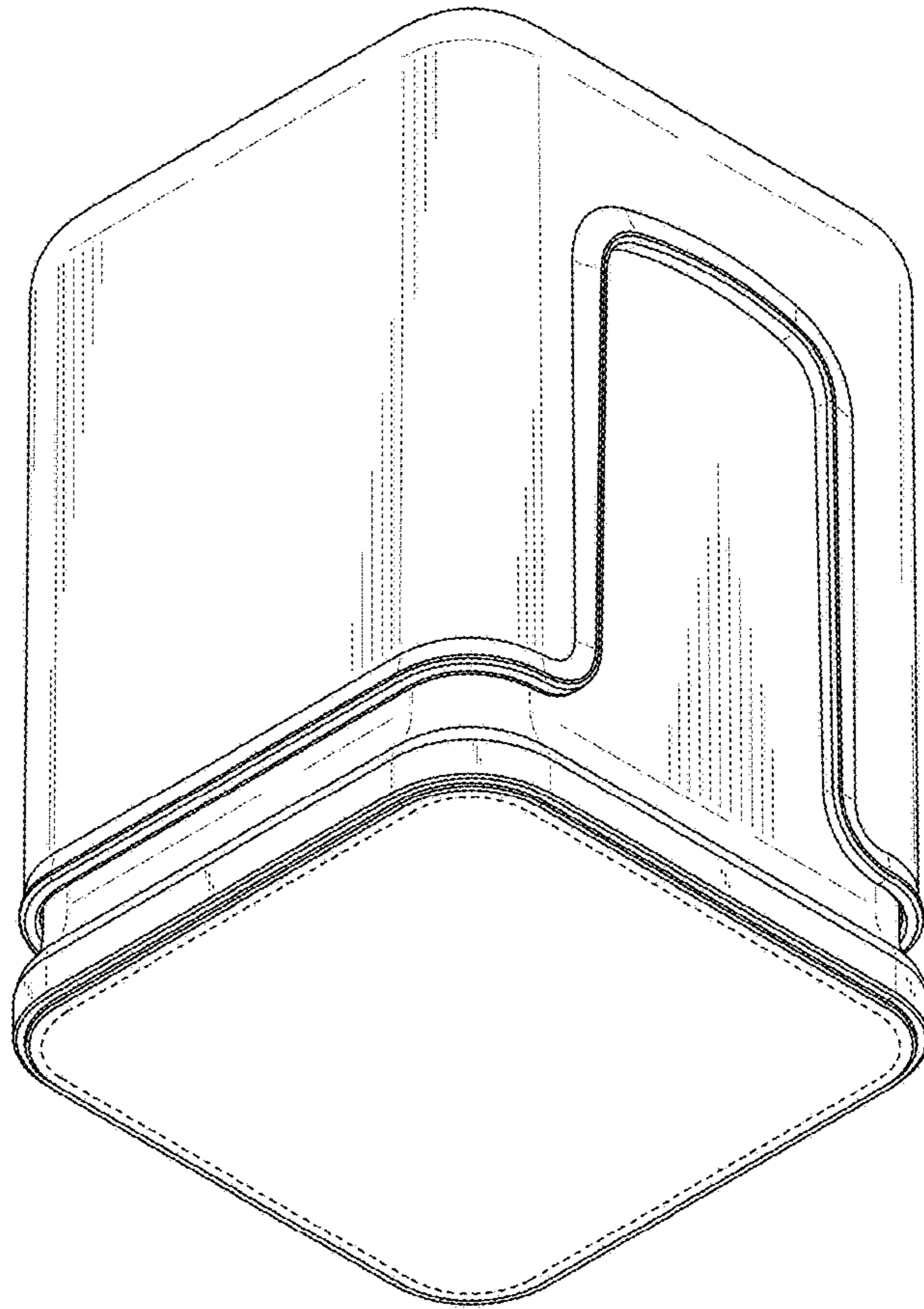


FIG. 2

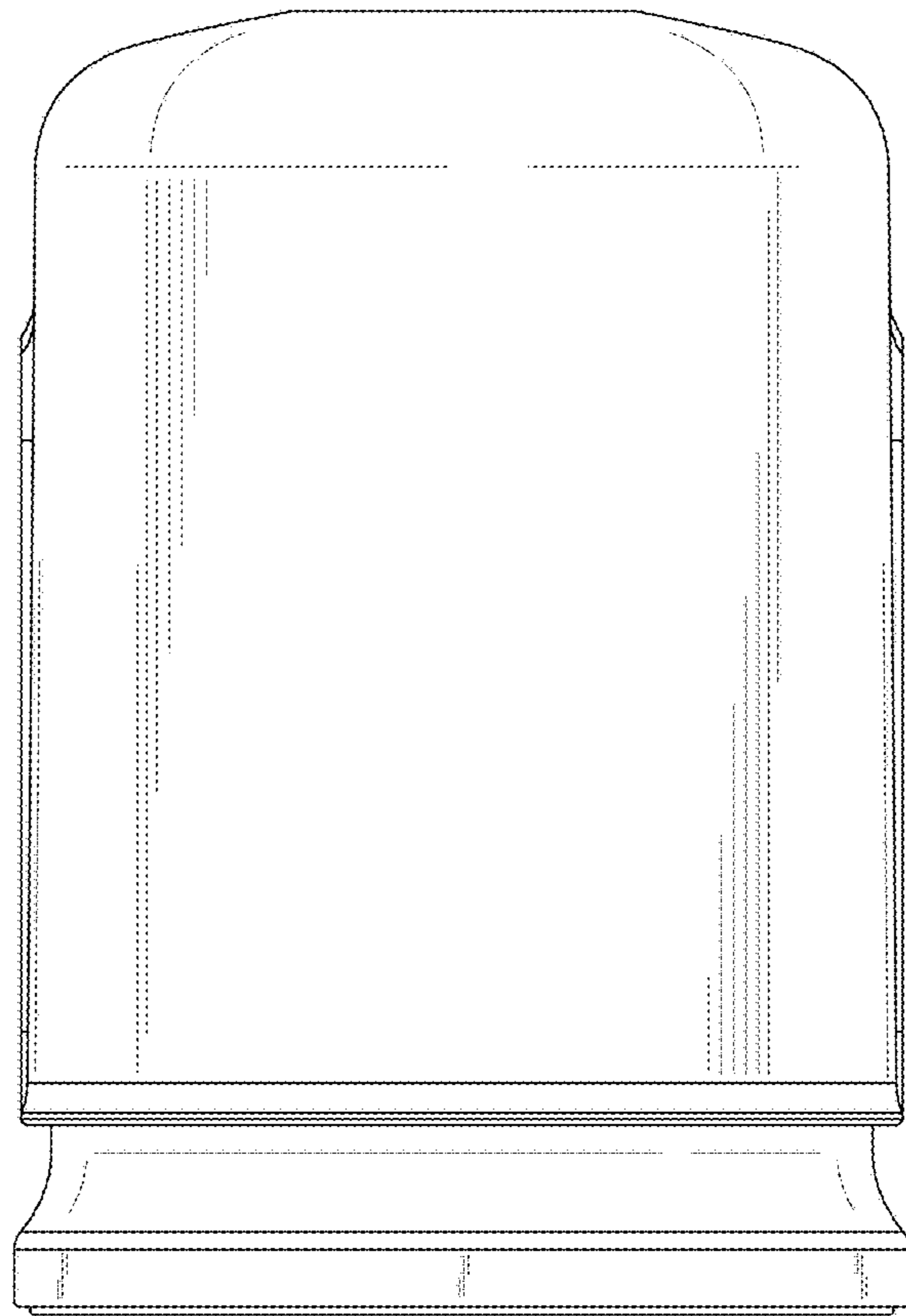


FIG. 3

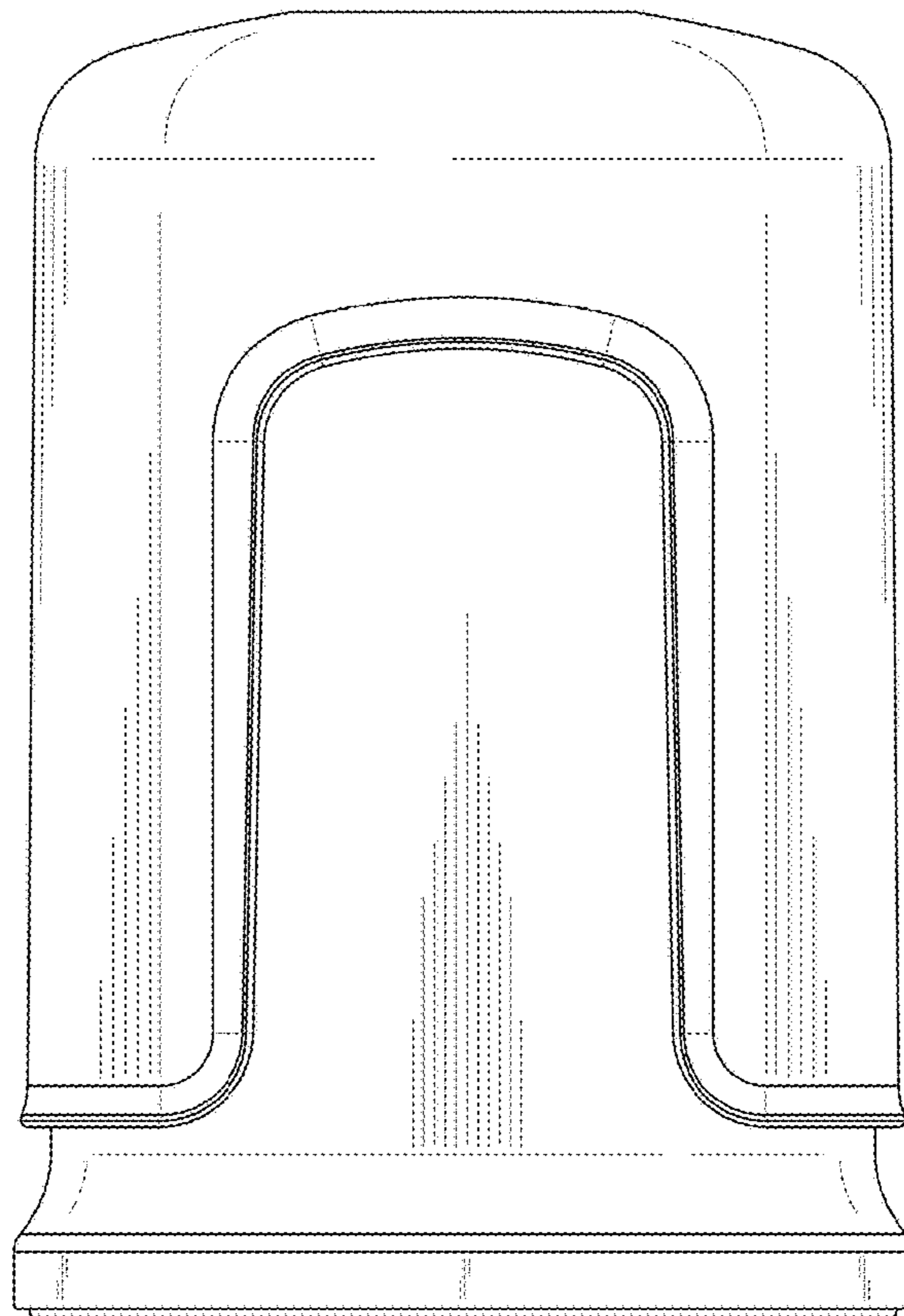


FIG. 4

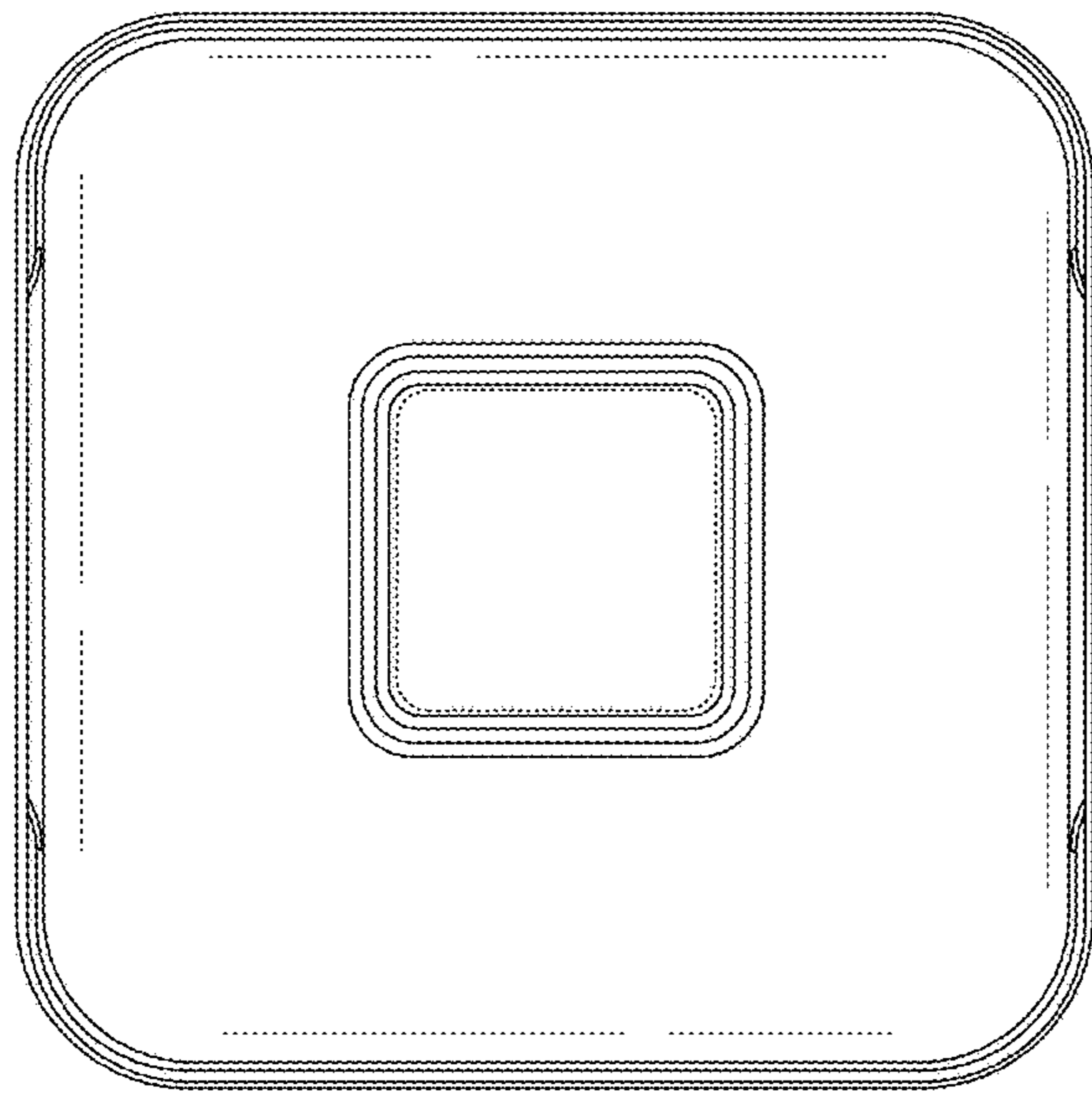


FIG. 5

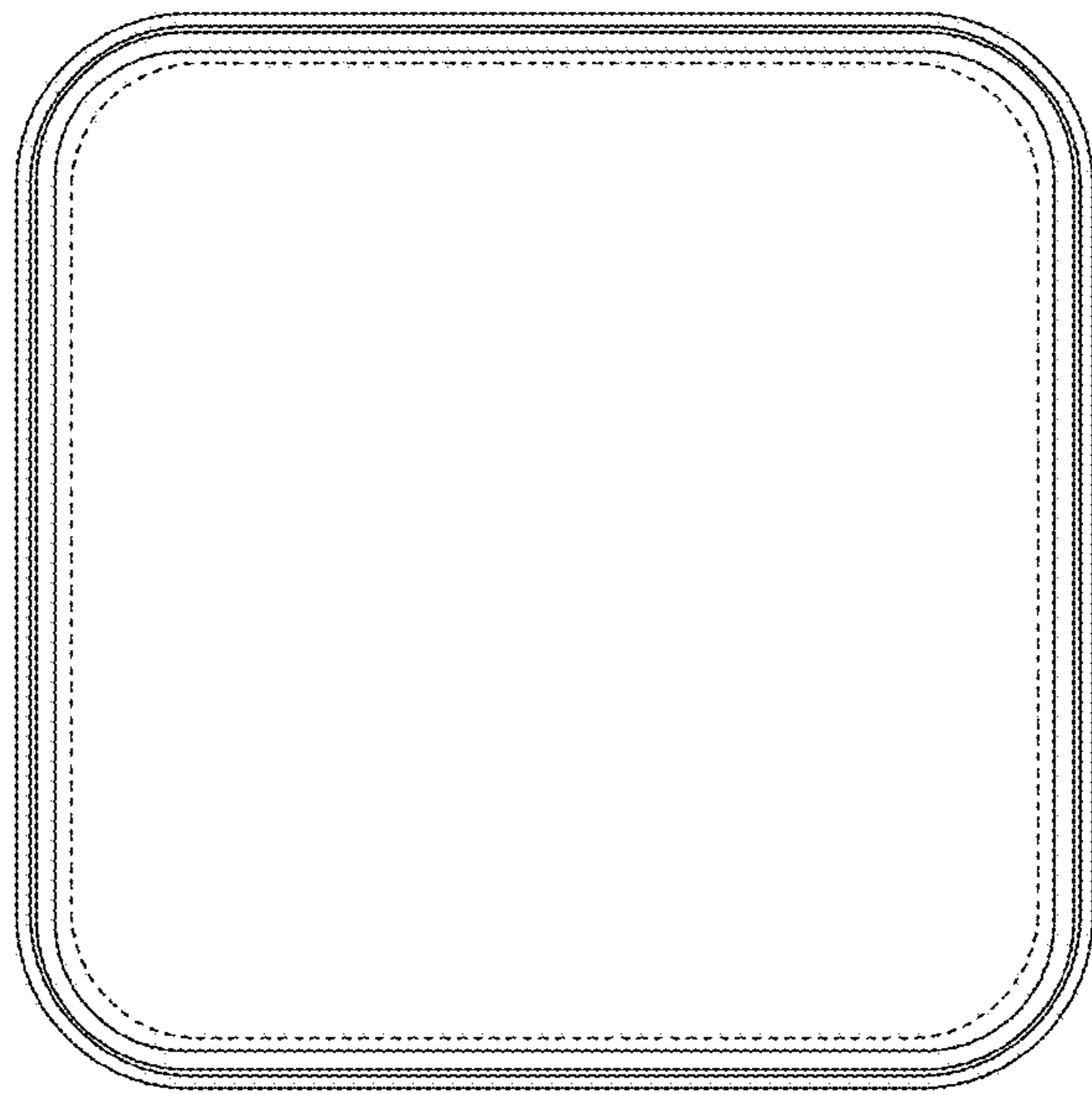


FIG. 6