



US00D842024S

(12) **United States Design Patent** (10) **Patent No.:** **US D842,024 S**
Li (45) **Date of Patent:** **** Mar. 5, 2019**

(54) **SHREDDER**
(71) Applicant: **Shenzhen Lanhaixing Technology Co., Ltd**, Shenzhen (CN)
(72) Inventor: **Xiaoguang Li**, Shenzhen (CN)
(73) Assignee: **SHENZHEN LANHAIXING TECHNOLOGY CO., LTD**, Shenzhen (CN)
(**) Term: **15 Years**
(21) Appl. No.: **29/623,392**
(22) Filed: **Oct. 25, 2017**
(30) **Foreign Application Priority Data**
Jun. 20, 2017 (CN) 2017 3 02374817
(51) **LOC (11) Cl.** **31-00**
(52) **U.S. Cl.**
USPC **D7/381**
(58) **Field of Classification Search**
USPC D7/372, 376-386, 412-413, 602, 629, D7/665-666, 669, 679, 693-694
CPC .. A21C 1/02; A21C 1/04; A21C 15/04; A23N 1/00; A23N 1/02; A47J 43/04; A47J 43/25; A47J 43/27; A47J 43/042; A47J 43/044; A47J 43/046; A47J 43/075; A47J 43/0722; A47J 43/0727; B01F 3/00; B01F 3/0807; B01F 3/0853; B01F 13/0059; B01F 13/0064; B02C 1/08; B02C 2/04; B02C 4/42; B02C 4/142; B02C 4/143; B02C 4/423; B02C 13/1835; B26D 3/11; B28C 5/10; B28C 5/12; B28C 5/14; B28C 5/16
See application file for complete search history.

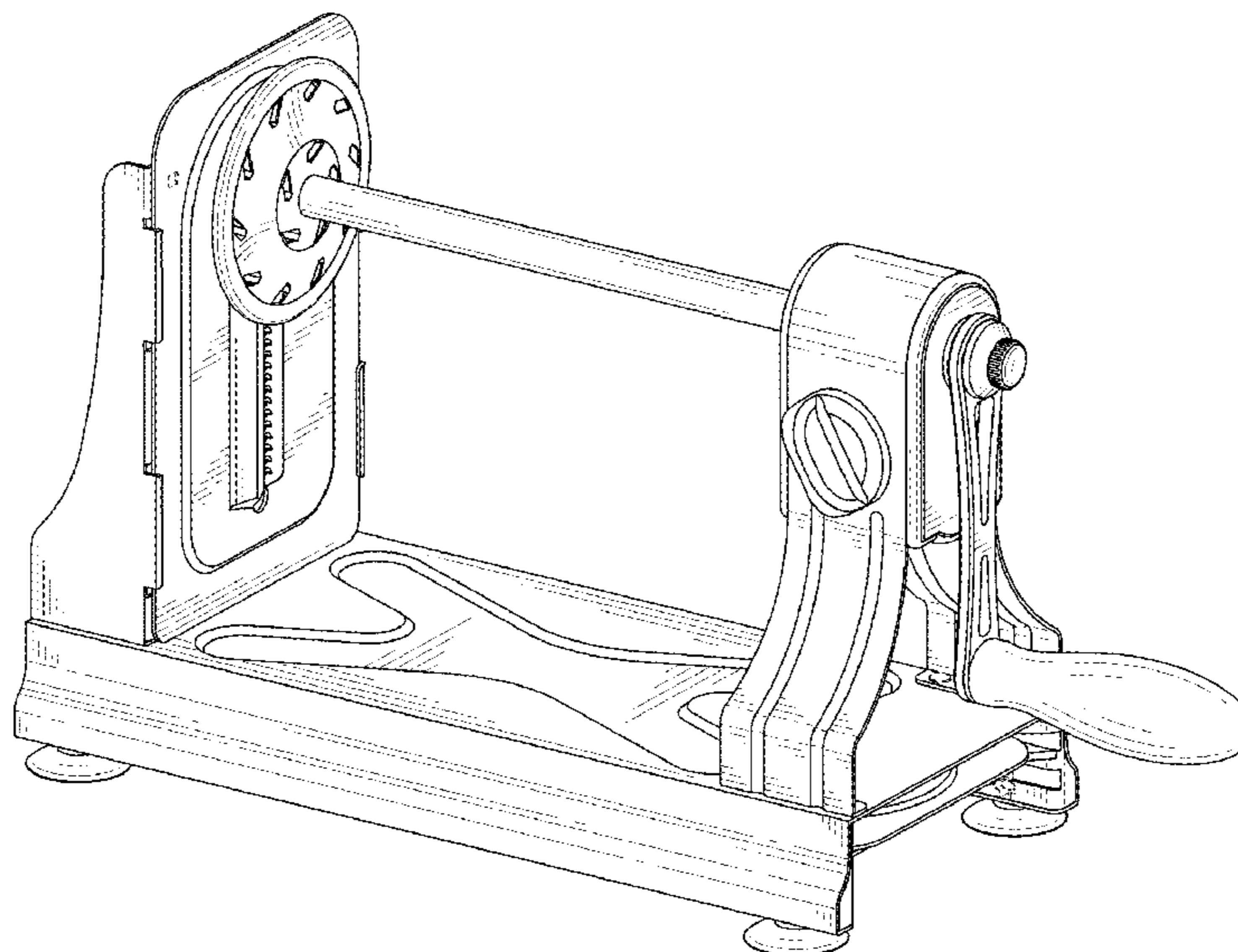
(56) **References Cited**
U.S. PATENT DOCUMENTS
D254,590 S * 4/1980 Doyel B26D 3/11 83/733
5,557,998 A * 9/1996 Schwartz A21C 15/04 269/13
D414,983 S * 10/1999 Wong D7/381
6,053,098 A * 4/2000 Yamamoto B26D 3/11 83/425.1
D747,916 S * 1/2016 Wong B26D 3/11 D7/381
D779,294 S * 2/2017 Friedman D7/693
D793,181 S * 8/2017 Wong D7/693
D796,917 S * 9/2017 Wong D7/381
D809,881 S * 2/2018 Exley D7/693
D815,499 S * 4/2018 Chen A21C 15/04 D7/693
D830,140 S * 10/2018 Chen D7/693
2016/0250768 A1 * 9/2016 Levine B26D 3/11 83/52
2016/0257013 A1 * 9/2016 Exley B26D 3/11
* cited by examiner

Primary Examiner — Ricky Pham

(57) **CLAIM**
The ornamental design for a shredder, as shown and described.

DESCRIPTION
FIG. 1 is a perspective view of the shredder showing my new design;
FIG. 2 is a front elevational view thereof;
FIG. 3 is a rear elevational view thereof;
FIG. 4 is a left side elevational view thereof;
FIG. 5 is a right side elevational view thereof;
FIG. 6 is a top plan view thereof; and,
FIG. 7 is a bottom plan view thereof.
The broken lines are for the purposes of illustrating portions of the shredder and form no part of the claimed design.

1 Claim, 7 Drawing Sheets



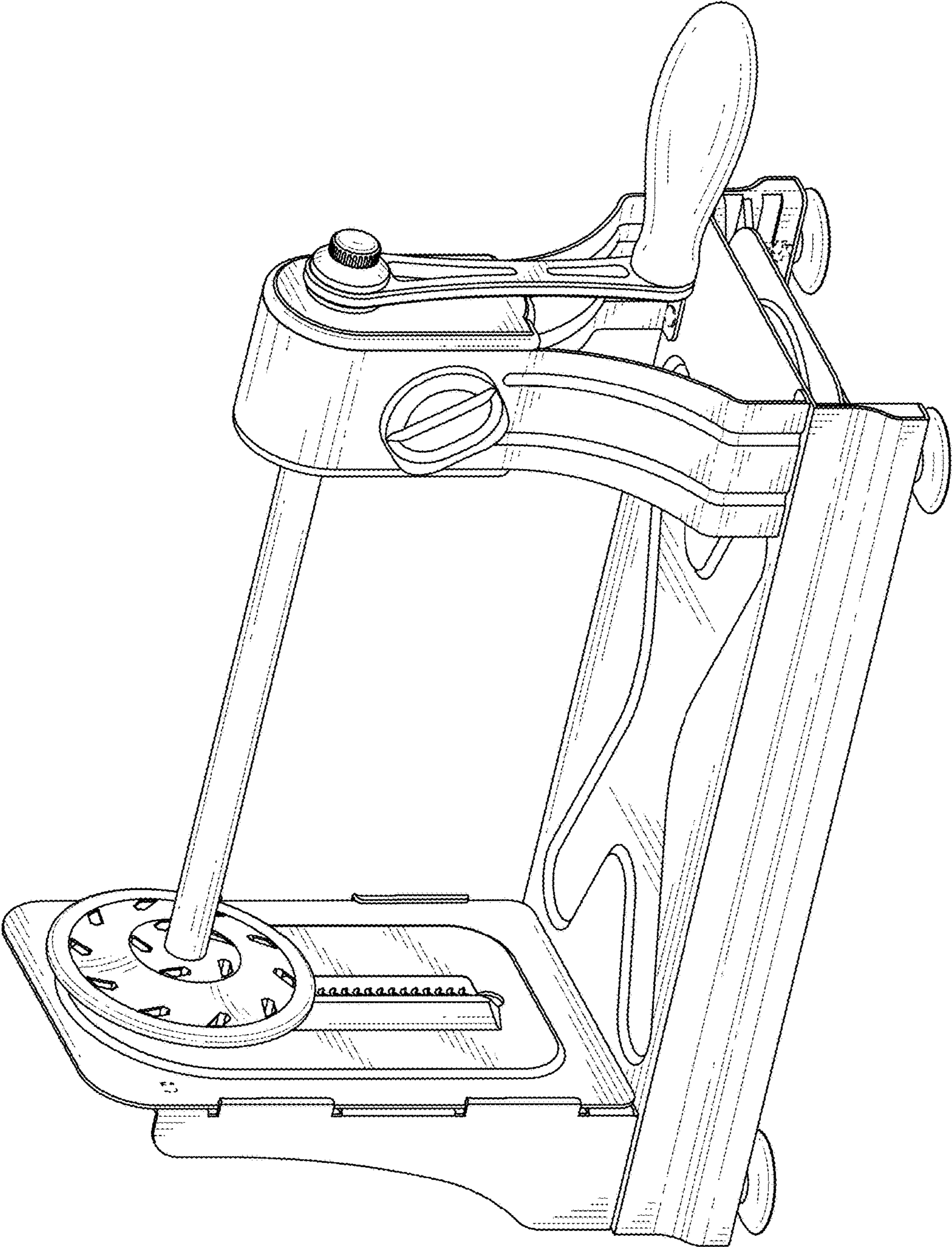


FIG. 1

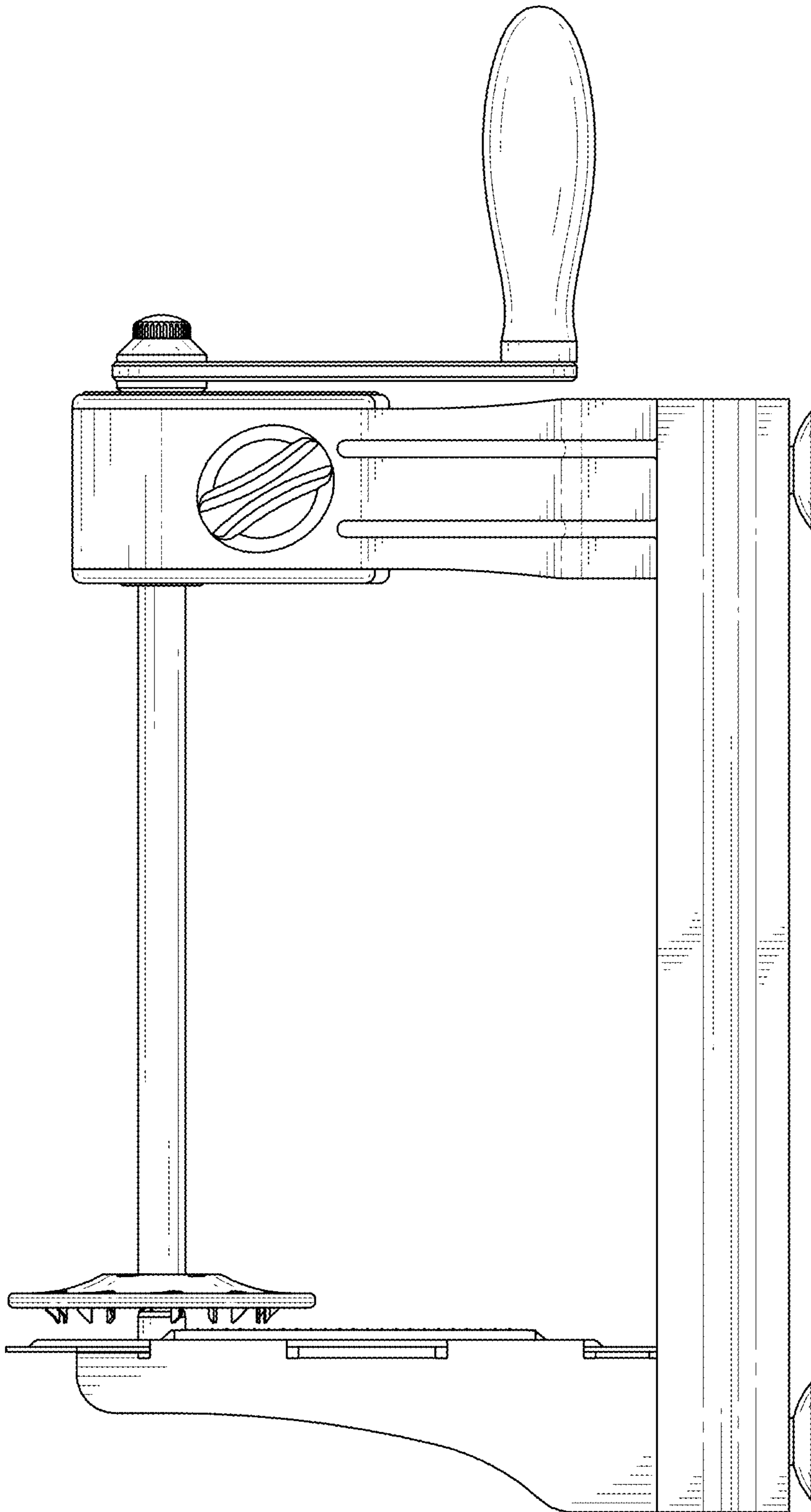


FIG. 2

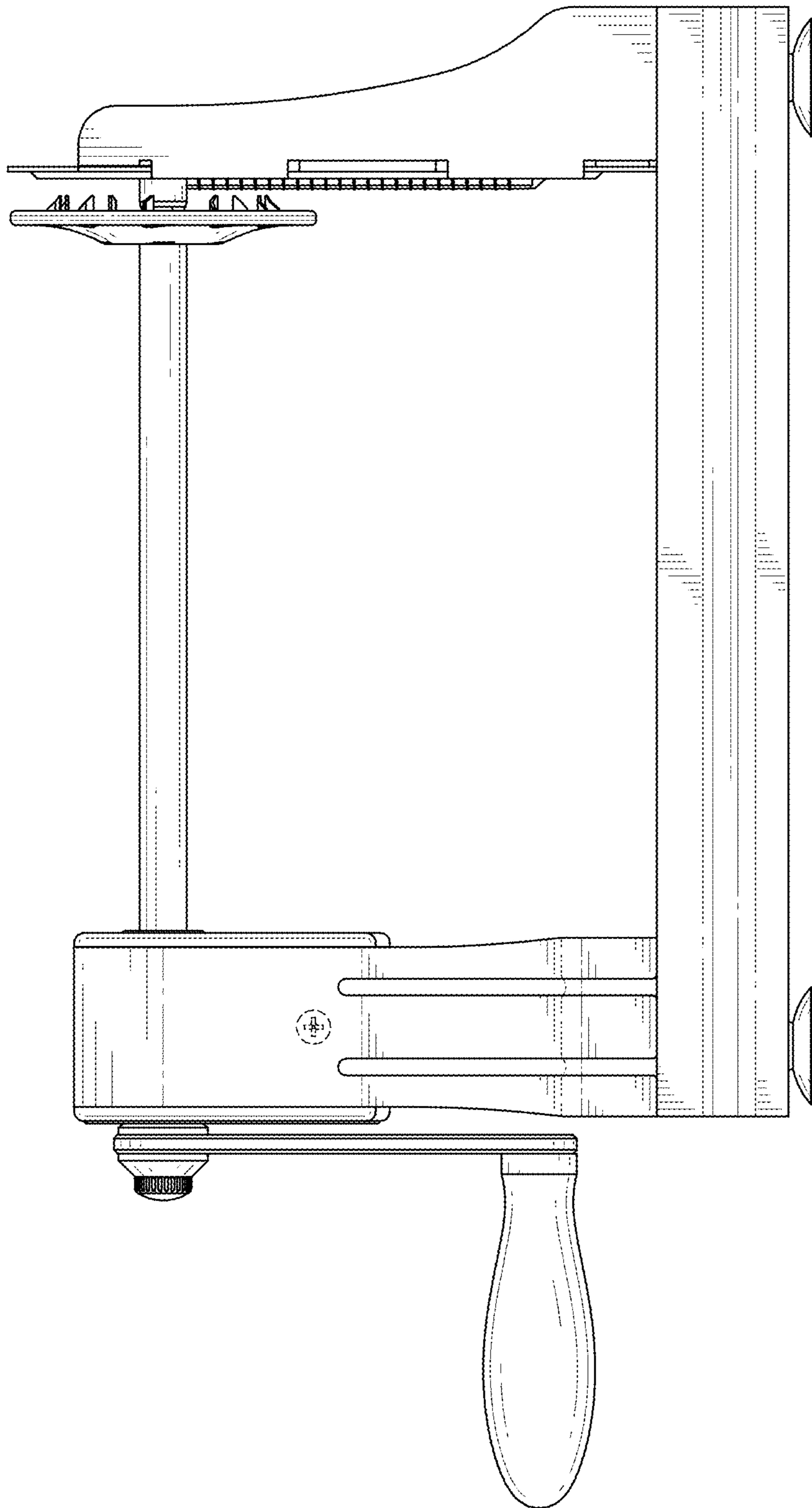


FIG. 3

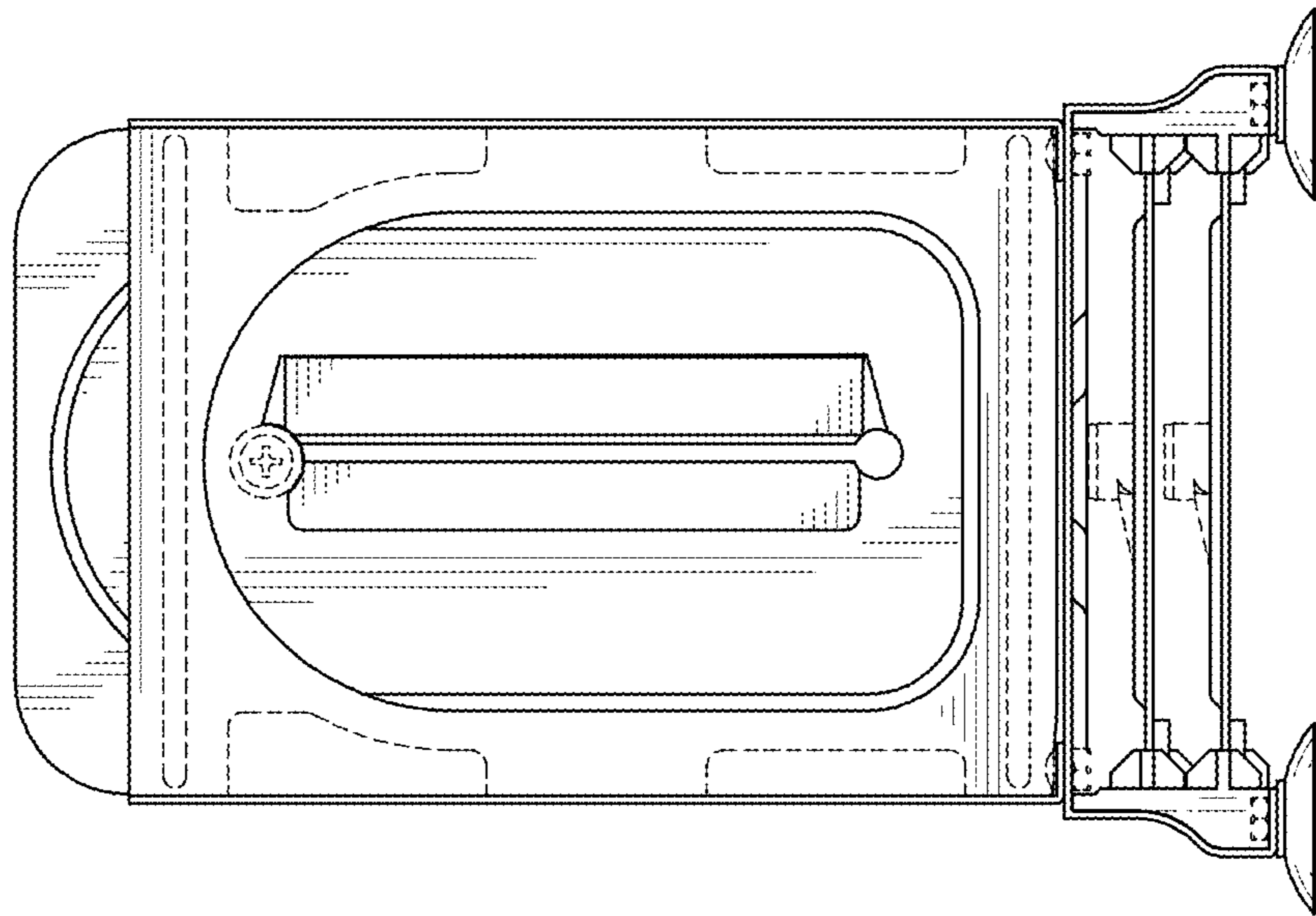


FIG. 4

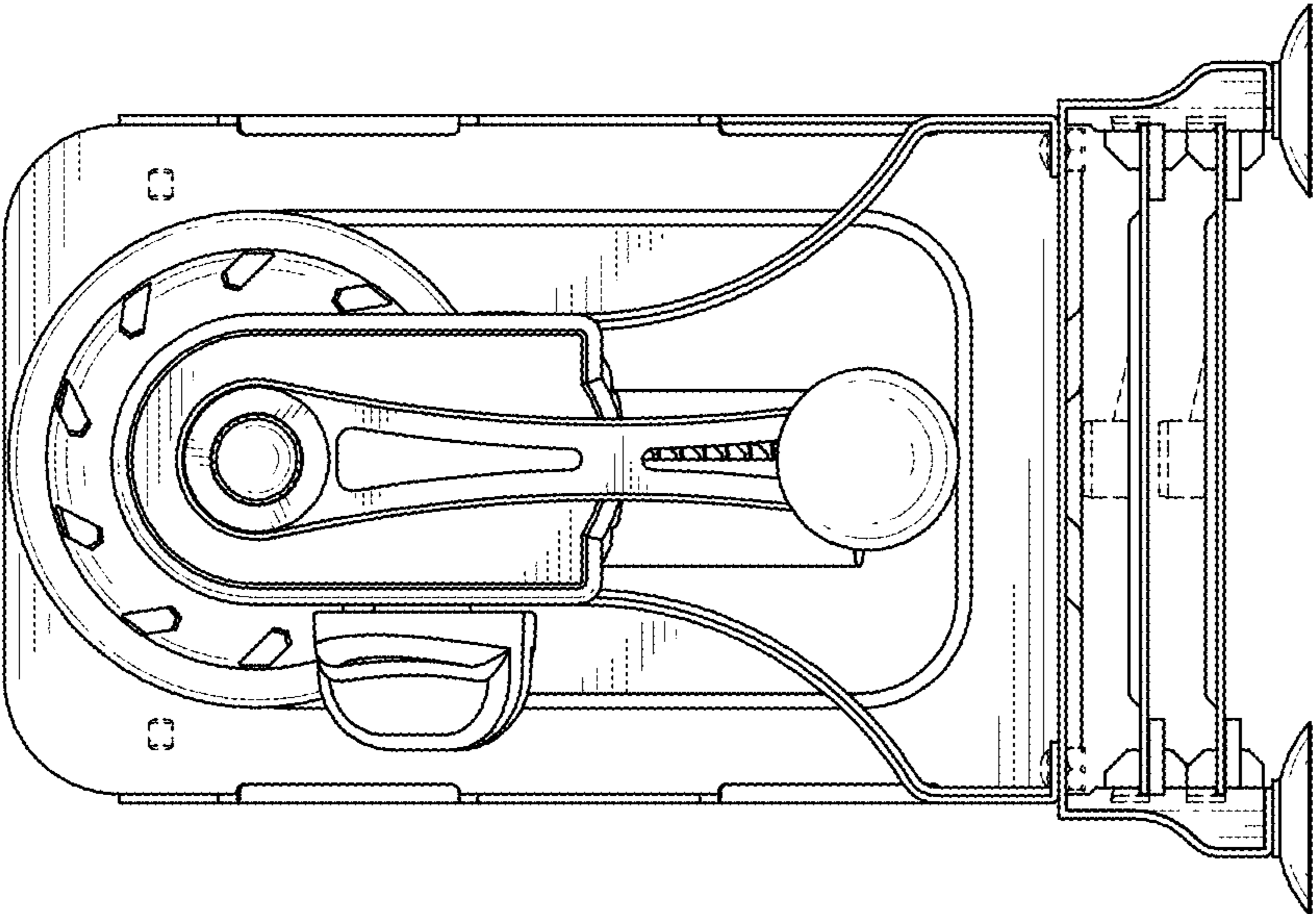


FIG. 5

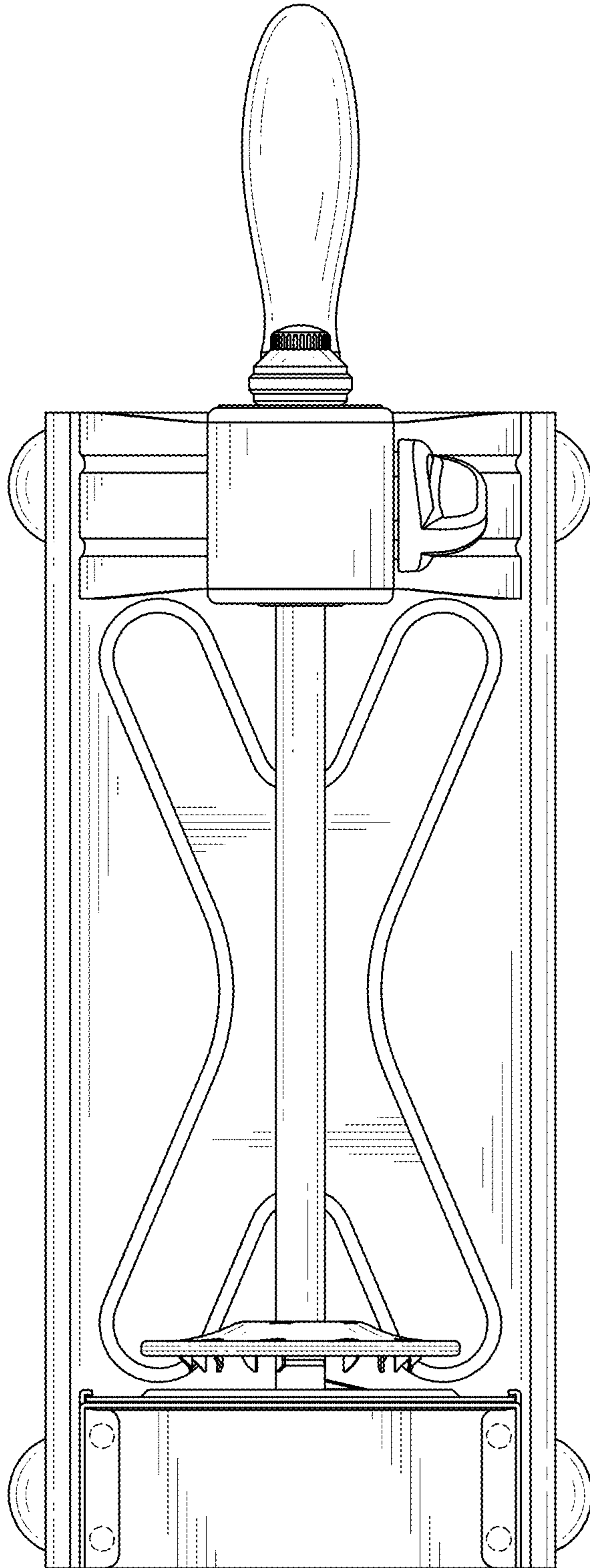


FIG. 6

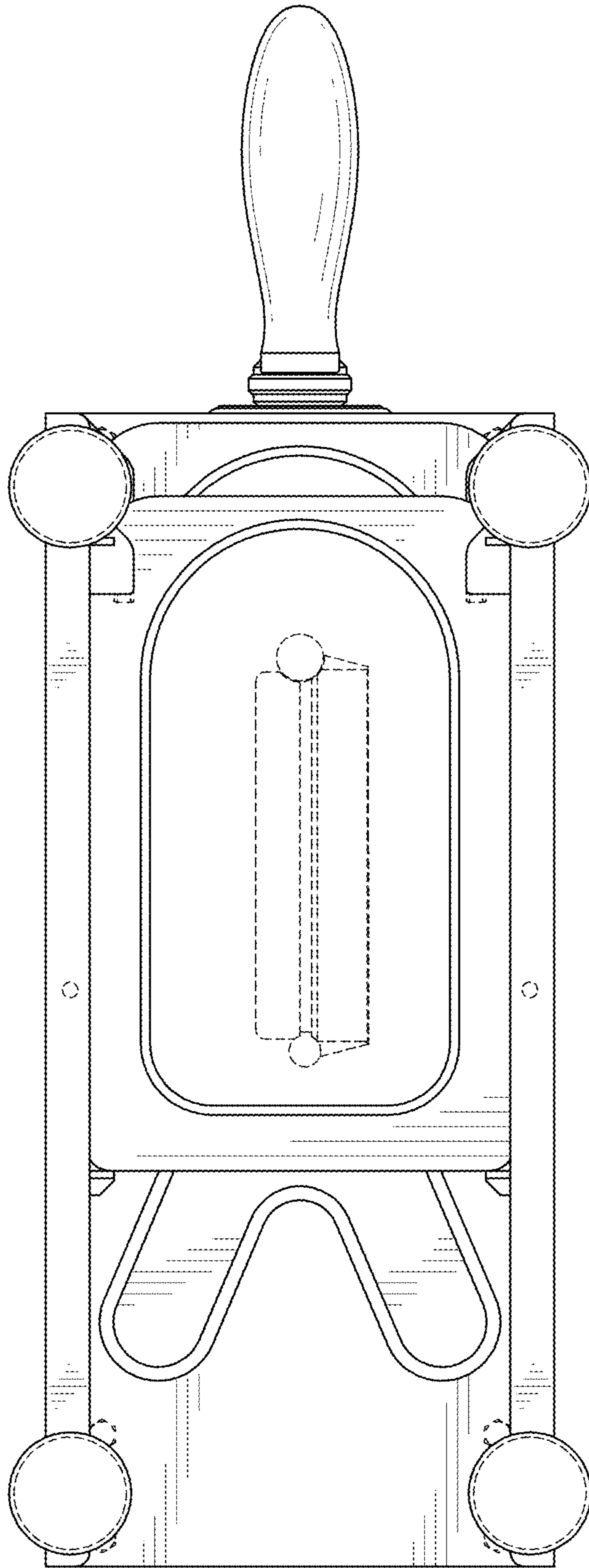


FIG. 7