



US00D842023S

(12) **United States Design Patent**  
**Carlson et al.**

(10) **Patent No.:** **US D842,023 S**

(45) **Date of Patent:** **\*\* Mar. 5, 2019**

(54) **GRIDDLE**

(71) Applicant: **Hamilton Beach Brands, Inc.**, Glen Allen, VA (US)

(72) Inventors: **Drew Carlson**, Henrico, VA (US);  
**Spencer Dodge**, Centerville, UT (US);  
**Hee Seung Lim**, Seoul (KR); **Jonathan Dalton**, Atlanta, GA (US)

(73) Assignee: **Hamilton Beach Brands, Inc.**, Glen Allen, VA (US)

(\*\*) Term: **15 Years**

(21) Appl. No.: **29/586,647**

(22) Filed: **Dec. 6, 2016**

(51) **LOC (11) Cl.** ..... **07-02**

(52) **U.S. Cl.**  
USPC ..... **D7/367**

(58) **Field of Classification Search**  
USPC ..... D7/323, 332, 337, 352-367, 402, 409,  
D7/643, 644, 645, 538, 602  
CPC ..... A47G 19/12; A47G 19/127; A47G  
2019/122; A47G 2019/125; A47J 27/00;  
A47J 27/002; A47J 27/004; A47J 27/006;  
A47J 27/02; A47J 27/022; A47J 27/04;  
A47J 27/024; A47J 27/043; A47J 27/05;  
A47J 27/14; A47J 27/21008; A47J 36/06;  
A47J 36/025; A47J 36/08; A47J 37/10  
See application file for complete search history.

(56) **References Cited**

**U.S. PATENT DOCUMENTS**

2,466,349 A \* 4/1949 Anderson ..... A47J 37/015  
219/386  
D161,035 S \* 11/1950 McCarron ..... D7/352  
2,907,862 A \* 10/1959 Huck ..... A47J 37/105  
219/436

D276,303 S 11/1984 Chan  
4,502,461 A 3/1985 Keating  
D369,269 S \* 4/1996 Labadia Del Fresno ..... D7/323  
D514,876 S 2/2006 Simond  
D515,350 S \* 2/2006 Anderson ..... D7/363  
D532,642 S \* 11/2006 Wilgus ..... D7/337  
D582,716 S 12/2008 Averty  
D627,189 S 11/2010 Deman  
D642,423 S \* 8/2011 Seymour ..... D7/354  
D647,752 S \* 11/2011 Curtis ..... D7/354  
D677,106 S \* 3/2013 Horito ..... D7/337  
D696,897 S 1/2014 Kunz  
D697,365 S 1/2014 Kunz  
D715,086 S \* 10/2014 Piret ..... D7/352  
D732,879 S 6/2015 Miles  
D763,034 S \* 8/2016 Berge ..... D7/354  
D790,906 S \* 7/2017 Zhu ..... D7/352  
D817,695 S \* 5/2018 Liu ..... D7/352  
D821,804 S \* 7/2018 Wessels ..... D7/354  
2003/0116572 A1 \* 6/2003 Klock ..... A47J 36/027  
220/367.1

(Continued)

*Primary Examiner* — Barbara Fox

*Assistant Examiner* — Messina L Smith

(74) *Attorney, Agent, or Firm* — Alexander D. Raring

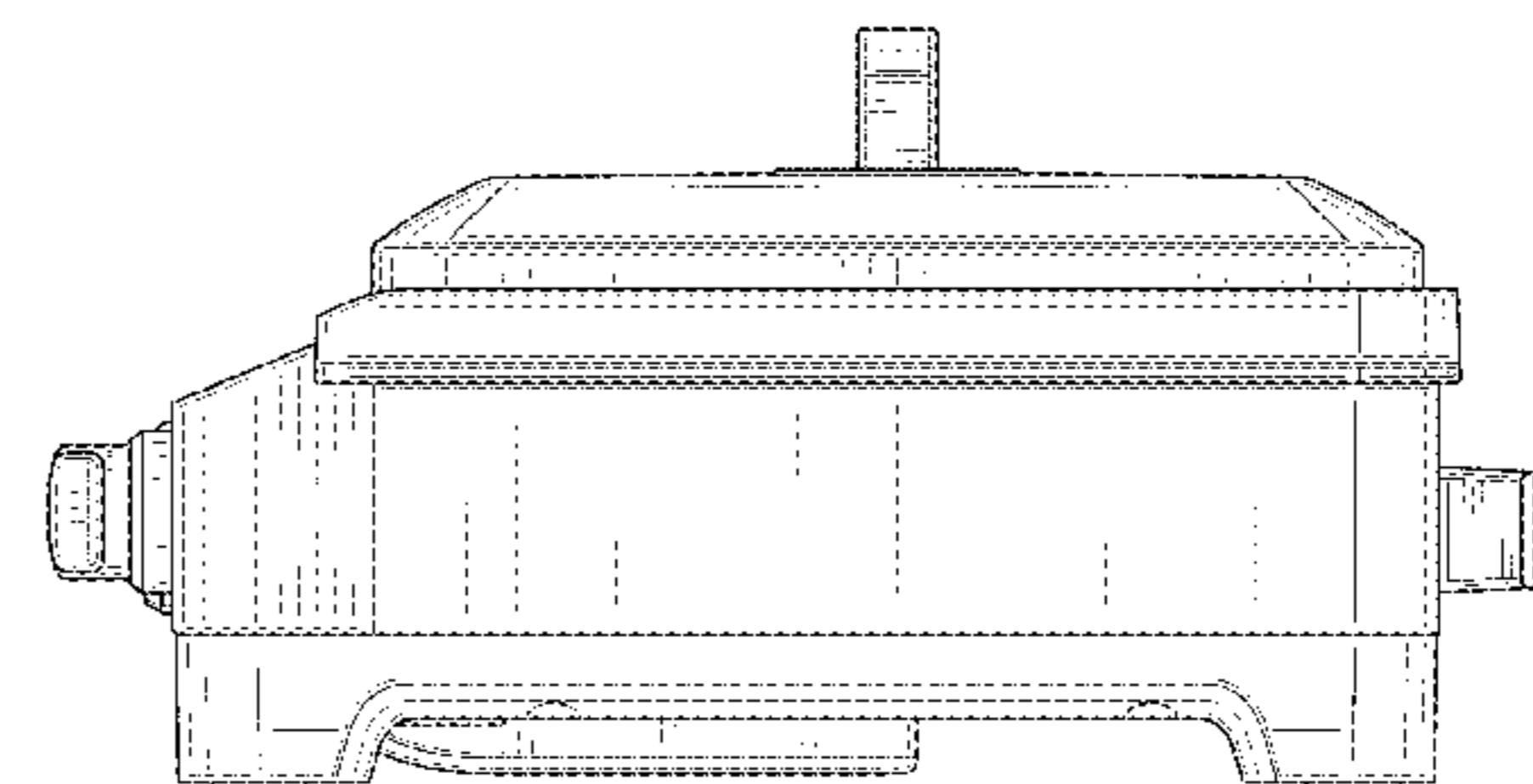
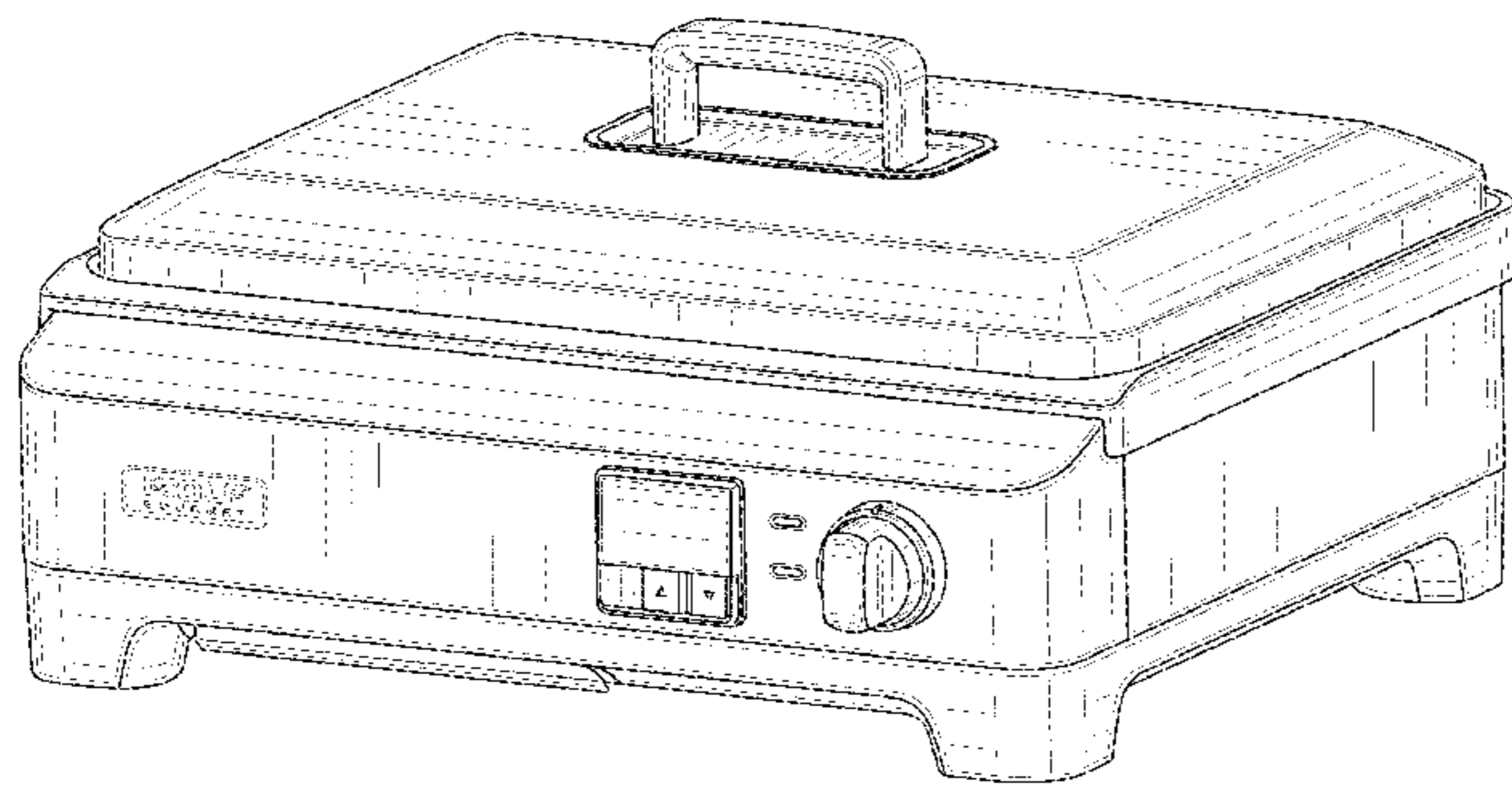
(57) **CLAIM**

The ornamental design for a griddle, as shown and described.

**DESCRIPTION**

FIG. 1 is a perspective view as seen from the top, right and front sides of a griddle showing the new design;  
FIG. 2 is a front view thereof;  
FIG. 3 is a rear view thereof;  
FIG. 4 is a right side view thereof;  
FIG. 5 is a left side view thereof;  
FIG. 6 is a top view thereof; and,  
FIG. 7 is a bottom view thereof.  
The broken lines in the drawing depict portions of the griddle that form no part of the claimed design.

**1 Claim, 7 Drawing Sheets**



(56)

**References Cited**

U.S. PATENT DOCUMENTS

2010/0024663 A1\* 2/2010 Hsu ..... A47J 45/061  
99/378  
2018/0153329 A1\* 6/2018 Glucksman ..... A47J 27/004

\* cited by examiner

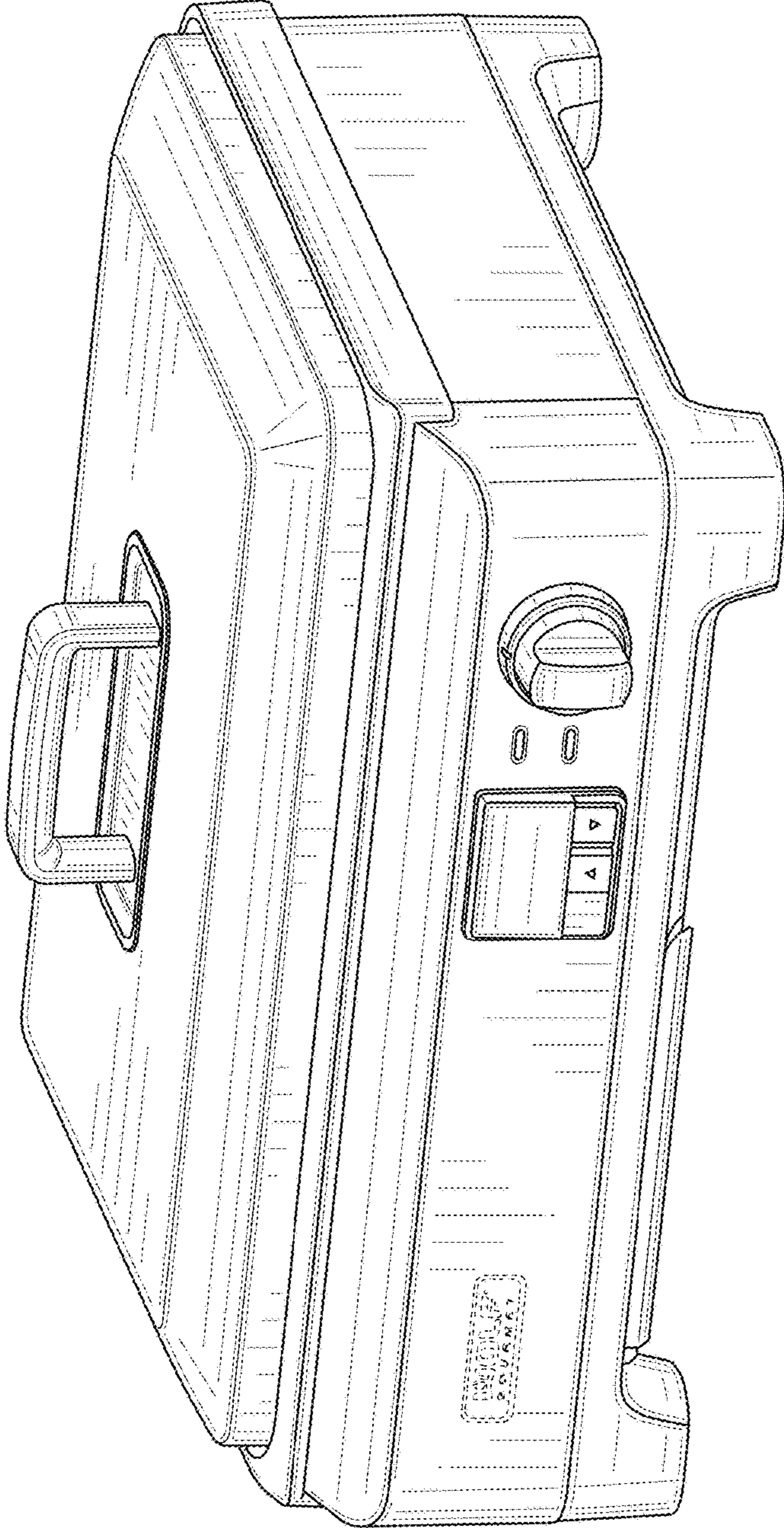
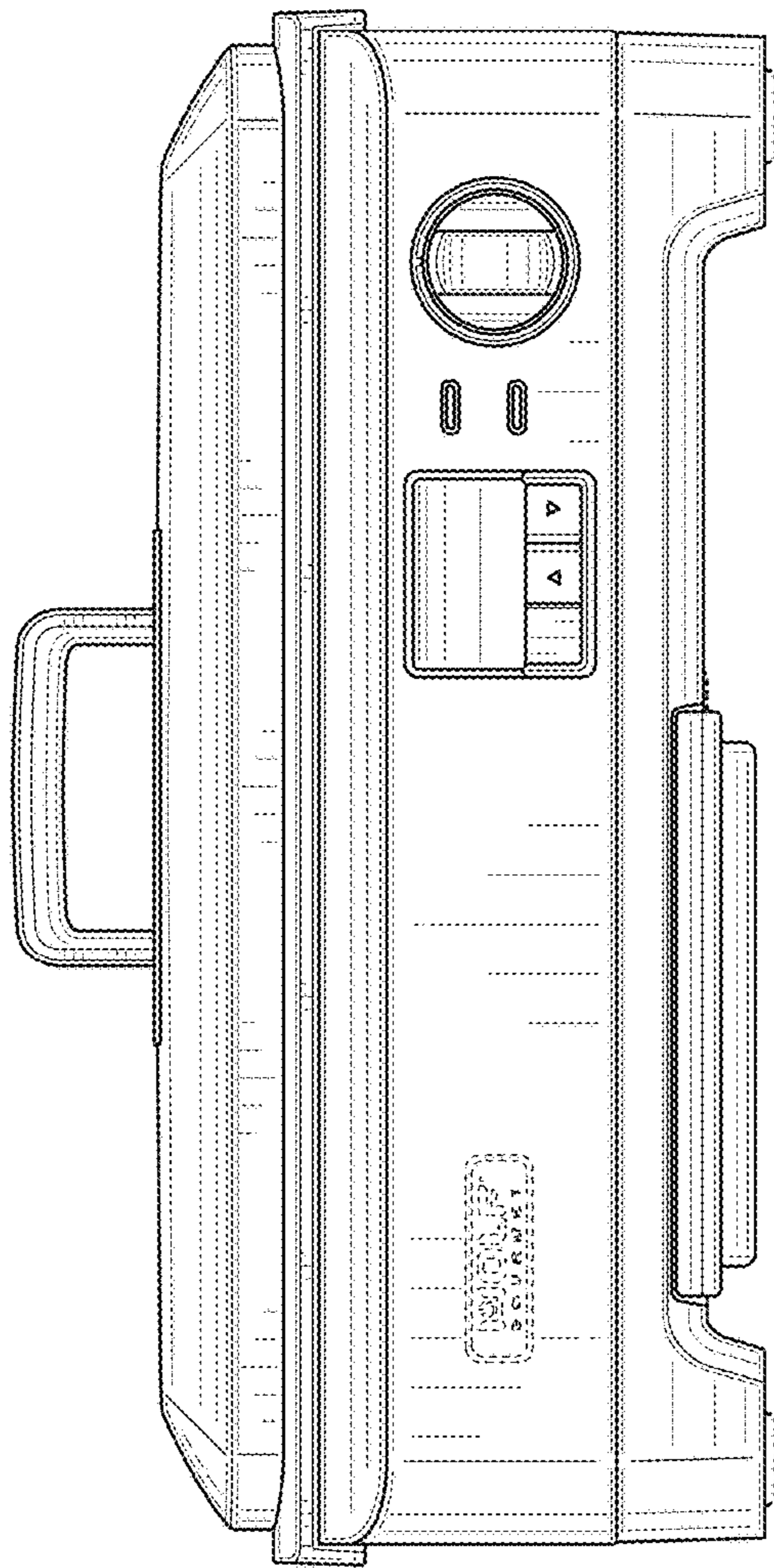
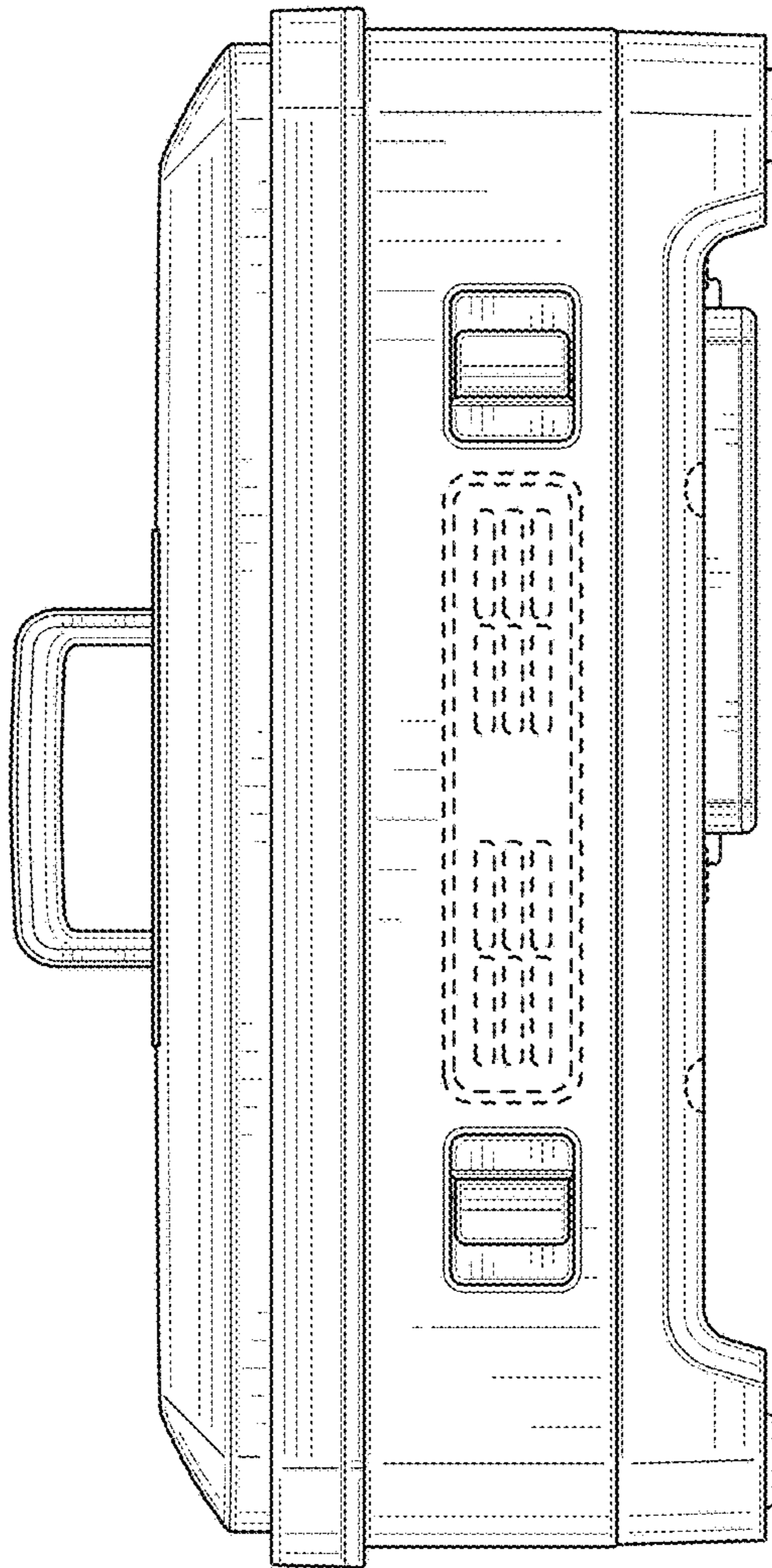


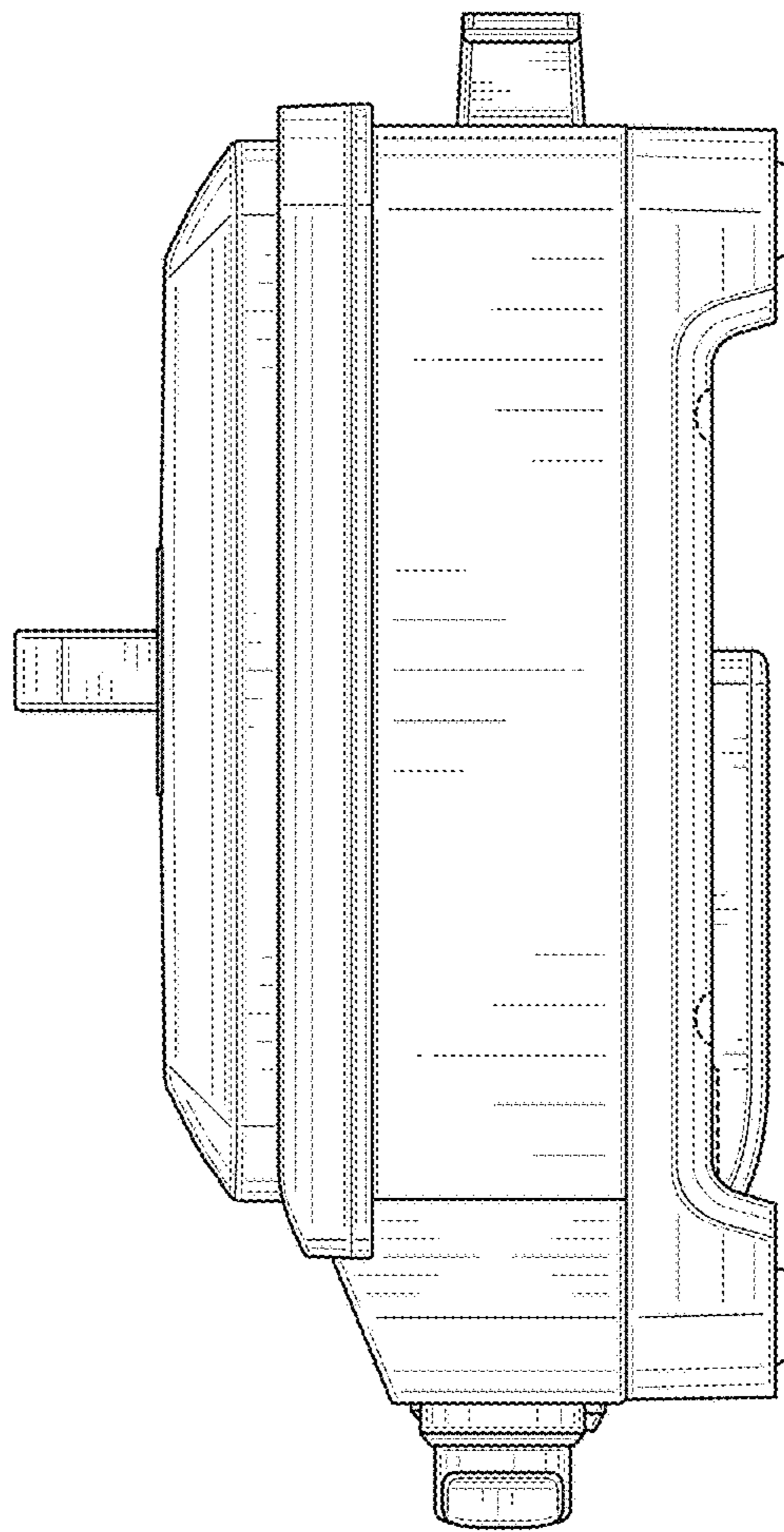
FIG. 1



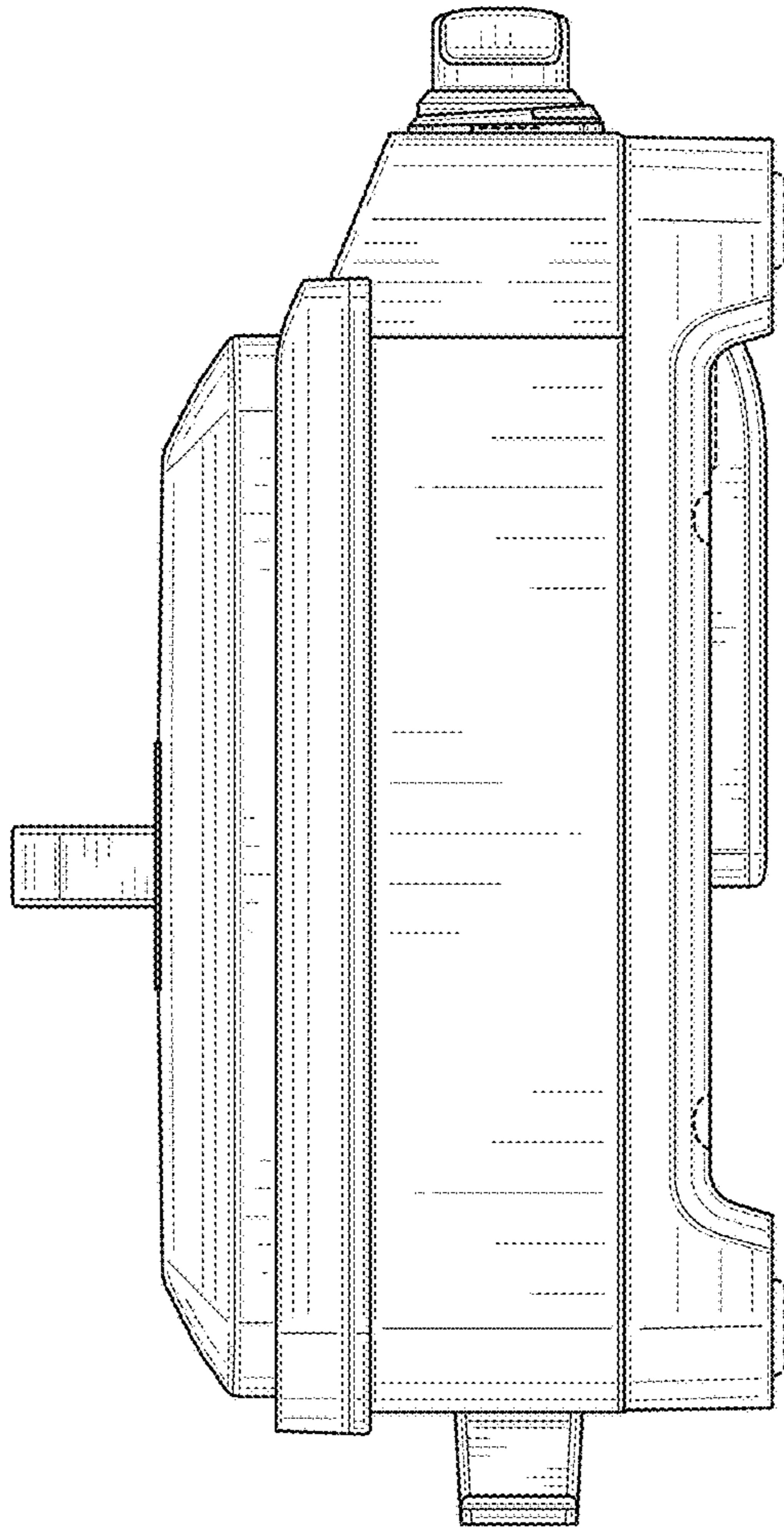
**FIG. 2**



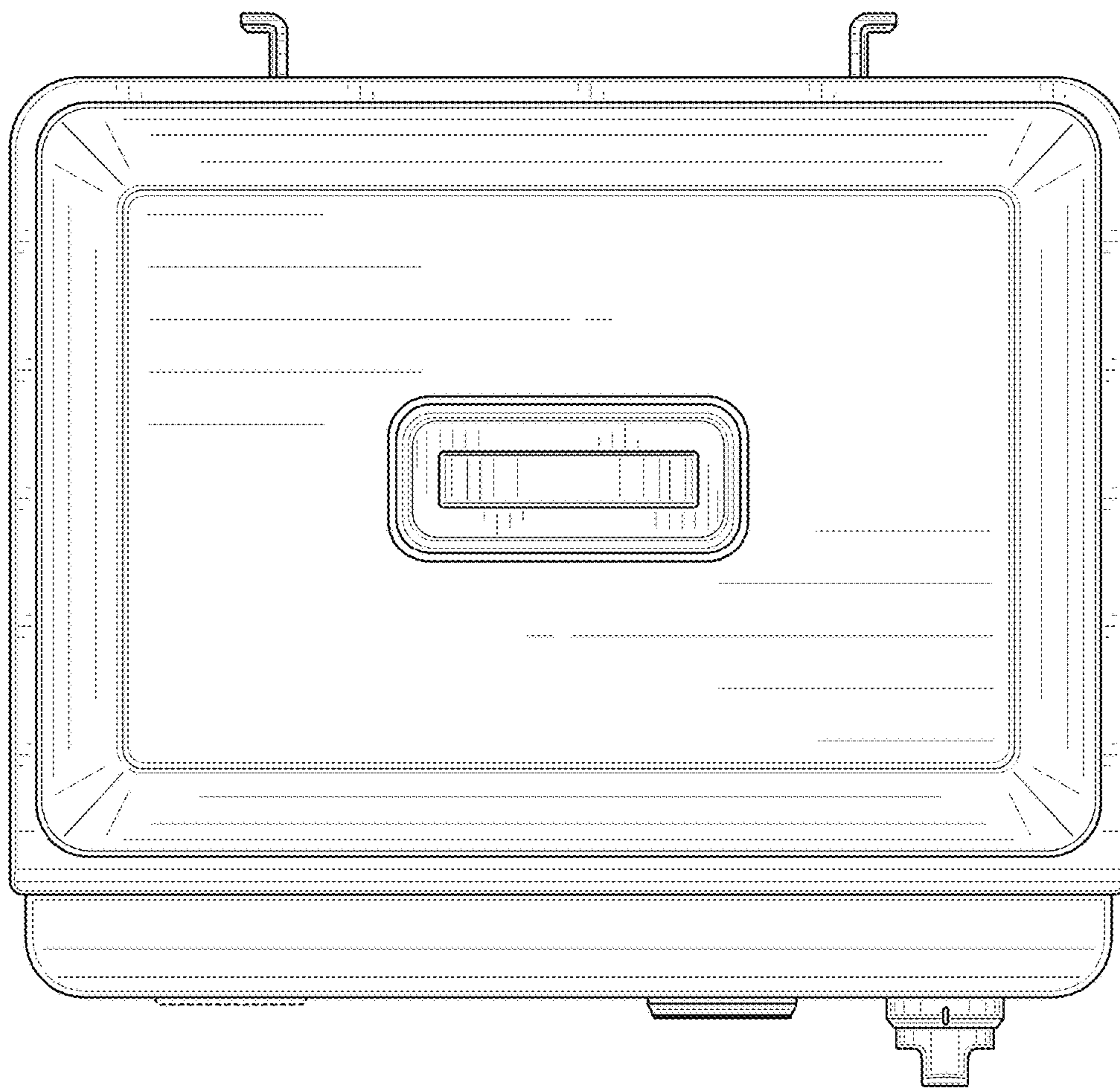
**FIG. 3**



**FIG. 4**

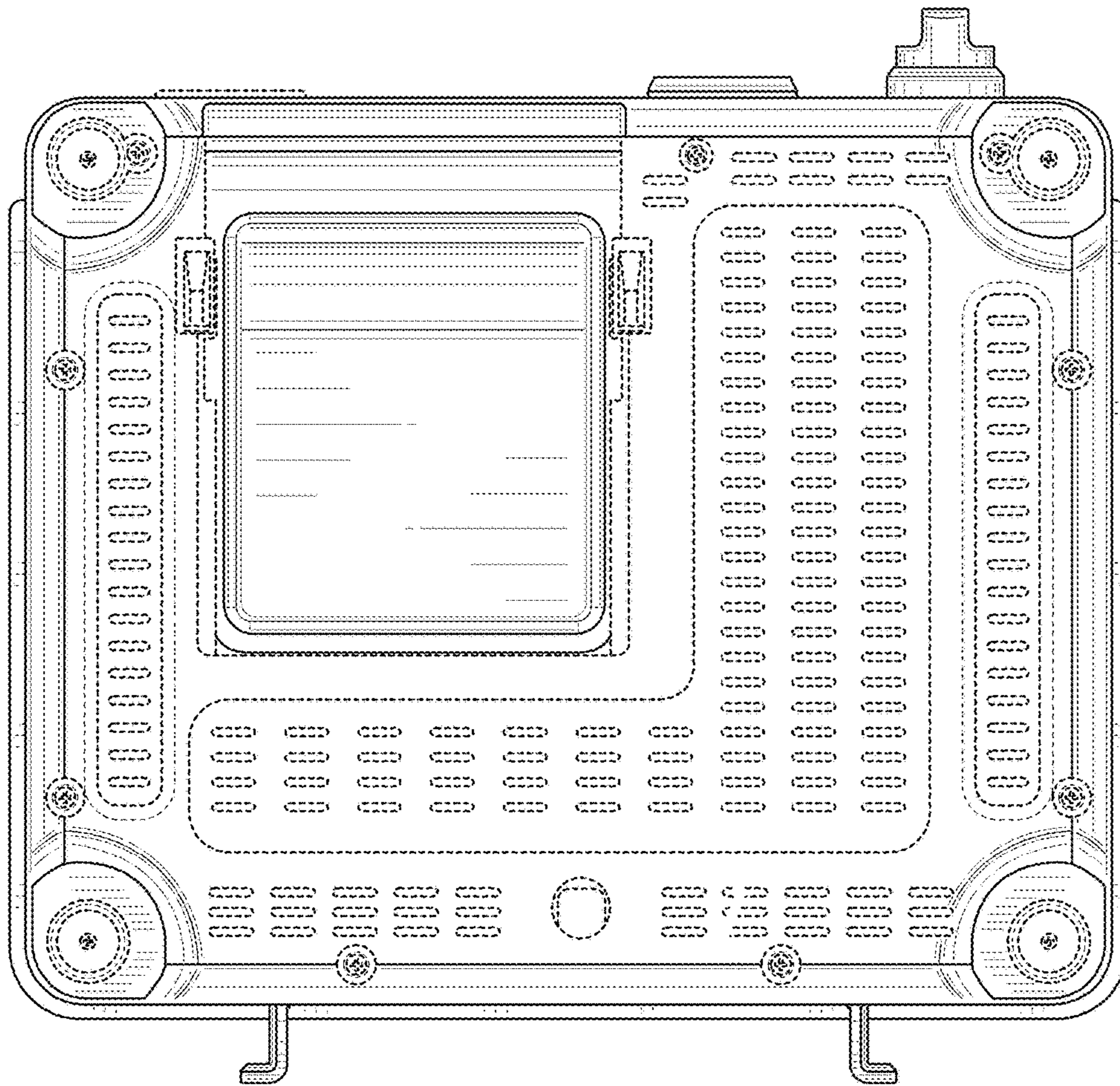


**FIG. 5**



**FIG. 6**





**FIG. 7**