



US00D842021S

(12) **United States Design Patent**  
**Wenzel et al.**

(10) **Patent No.:** **US D842,021 S**  
(45) **Date of Patent:** **\*\* Mar. 5, 2019**

- (54) **GRILL**
- (71) Applicant: **Hestan Commercial Corporation,**  
Anaheim, CA (US)
- (72) Inventors: **Hans F. Wenzel,** Santa Ana, CA (US);  
**Chris Moy,** Monterey Park, CA (US);  
**Eric Deng,** Irvine, CA (US); **Ray**  
**Nilssen,** Fairhope, AL (US)
- (73) Assignee: **Hestan Commercial Corporation,**  
Anaheim, CA (US)
- (\*\*) Term: **15 Years**

D323,444 S	1/1992	Masters	
D381,868 S	8/1997	Schmitt	
5,891,498 A	4/1999	Boehler	
D450,215 S	11/2001	Wood	
D462,227 S *	9/2002	Alden .....	D7/334
D465,693 S	11/2002	Coleman et al.	
D494,004 S *	8/2004	Chapman .....	D7/334
D503,306 S	3/2005	Huang	
6,877,505 B1	4/2005	Den Hoed	
D521,307 S	5/2006	Parrant et al.	
D525,072 S	7/2006	Wilgus et al.	
D533,009 S *	12/2006	Pai .....	D7/334
D533,010 S *	12/2006	Pai .....	D7/334
D535,140 S	1/2007	Thurman, Jr.	
D535,846 S *	1/2007	Debord .....	D7/334
D560,416 S *	1/2008	Sedberry .....	D7/334

(Continued)

- (21) Appl. No.: **29/644,217**
- (22) Filed: **Apr. 16, 2018**

**Related U.S. Application Data**

- (62) Division of application No. 29/550,112, filed on Dec. 30, 2015, now Pat. No. Des. 815,484.
- (51) **LOC (11) Cl.** ..... **07-02**
- (52) **U.S. Cl.**  
USPC ..... **D7/334**
- (58) **Field of Classification Search**  
USPC ..... D7/213, 323, 324, 329, 330, 332, 334,  
D7/337, 339, 340, 346, 347, 362, 367  
CPC .... G05D 7/00; F24F 13/07; F24C 5/00; F24C  
5/20; F24C 3/00; F24C 3/10; F24C 3/12;  
F24C 15/06; F24C 15/10; F24C 15/16;  
F24C 15/20; F24B 3/00; F23N 5/22;  
B60H 3/00; B32B 15/04; A62C 3/00;  
A47J 43/18  
See application file for complete search history.

- (56) **References Cited**  
U.S. PATENT DOCUMENTS

3,613,657 A	10/1971	Wilska
D302,641 S	8/1989	Elmburg

*Primary Examiner* — Susan Bennett Hattan  
*Assistant Examiner* — Suzanne E Tisdell  
 (74) *Attorney, Agent, or Firm* — Akerman LLP

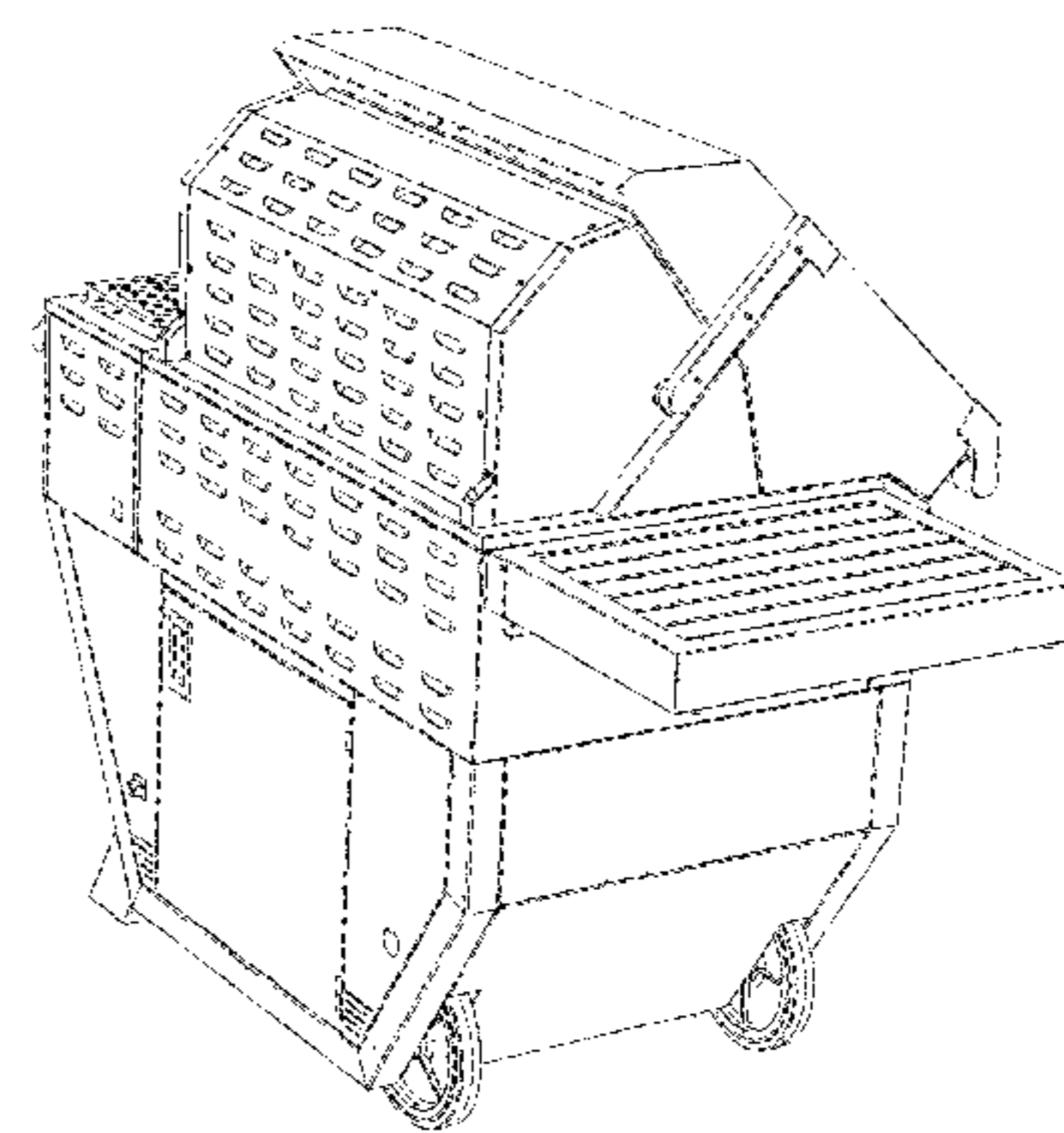
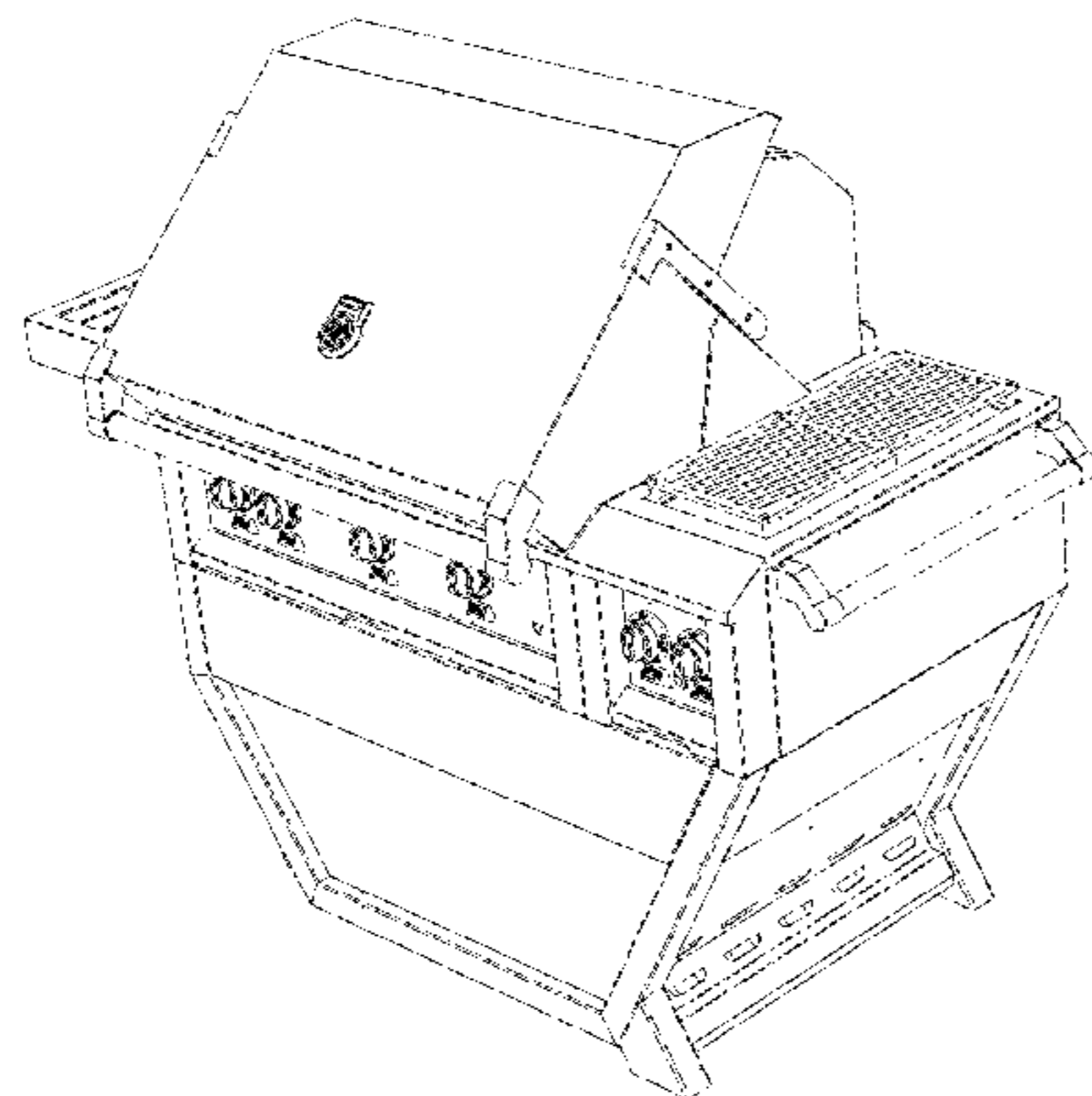
(57) **CLAIM**

The ornamental design for a grill, as shown and described.

**DESCRIPTION**

FIG. 1 is a front right top perspective view of a grill showing my new design;  
 FIG. 2 is a front elevation view thereof;  
 FIG. 3 is a back elevation view thereof;  
 FIG. 4 is a right side elevation view thereof;  
 FIG. 5 is a left side elevation view thereof;  
 FIG. 6 is a top plan view thereof;  
 FIG. 7 is a bottom plan view thereof;  
 FIG. 8 is a rear left top perspective view thereof;  
 FIG. 9 is a front bottom right perspective view thereof;  
 FIG. 10 is a front bottom left perspective view thereof;  
 FIG. 11 is a rear bottom left perspective view thereof; and,  
 FIG. 12 is a rear bottom right perspective view thereof.

**1 Claim, 12 Drawing Sheets**



(56)

References Cited

U.S. PATENT DOCUMENTS

D569,168 S *	5/2008	Pai	.....	D7/334	D723,860 S *	3/2015	Chung	.....	D7/334
D571,602 S *	6/2008	Chung	.....	D7/334	D730,103 S	5/2015	Manley		
D581,199 S *	11/2008	Chau	.....	D7/334	D731,843 S	6/2015	Chung		
D584,562 S *	1/2009	Chau	.....	D7/334	D732,874 S	6/2015	Chung		
D586,609 S *	2/2009	Chau	.....	D7/334	D736,026 S	8/2015	Kam et al.		
D615,799 S	5/2010	Best et al.			D747,911 S *	1/2016	Sheppard	.....	D34/14
D631,685 S	2/2011	Tiller et al.			D769,668 S *	10/2016	Lally	.....	D7/334
D635,814 S *	4/2011	Leavens	.....	D7/334	D772,637 S	11/2016	Barquin et al.		
D646,121 S	10/2011	Pickard			D815,484 S	4/2018	Wenzel		
D660,074 S	5/2012	Chung			2007/0204858 A1 *	9/2007	Abelbeck	.....	F24C 3/12 126/41 R
D677,111 S	3/2013	Chung			2008/0229937 A1 *	9/2008	Stephen	.....	A47J 37/041 99/421 R
D688,510 S *	8/2013	Stirn	.....	D7/334	2010/0297321 A1 *	11/2010	Strauch	.....	A47J 37/041 426/523
D688,512 S *	8/2013	Chung	.....	D7/334	2011/0219958 A1 *	9/2011	Noble	.....	A23B 4/044 99/473
D693,624 S *	11/2013	Chung	.....	D7/334	2013/0112088 A1 *	5/2013	May	.....	A47J 37/07 99/421 H
D694,056 S *	11/2013	Dahle	.....	D7/334	2014/0318524 A1	10/2014	Measom et al.		
D694,568 S *	12/2013	Alden	.....	D7/334	2015/0004297 A1 *	1/2015	Pothes	.....	A47J 37/00 426/523
D697,357 S	1/2014	Goecke et al.			2016/0198895 A1 *	7/2016	Turner	.....	A47J 37/06 99/445
D708,889 S	7/2014	Eisendrath			2016/0208837 A1 *	7/2016	Chang	.....	F16B 5/02
D722,467 S	2/2015	Chung			2016/0360924 A1 *	12/2016	Bruin-Slot	.....	A47J 37/0694
D722,809 S	2/2015	Chung							
D722,810 S	2/2015	Chung							
D722,812 S	2/2015	Chung							
D722,813 S	2/2015	Chung							
D723,322 S *	3/2015	Strauch	.....	D7/334					

\* cited by examiner

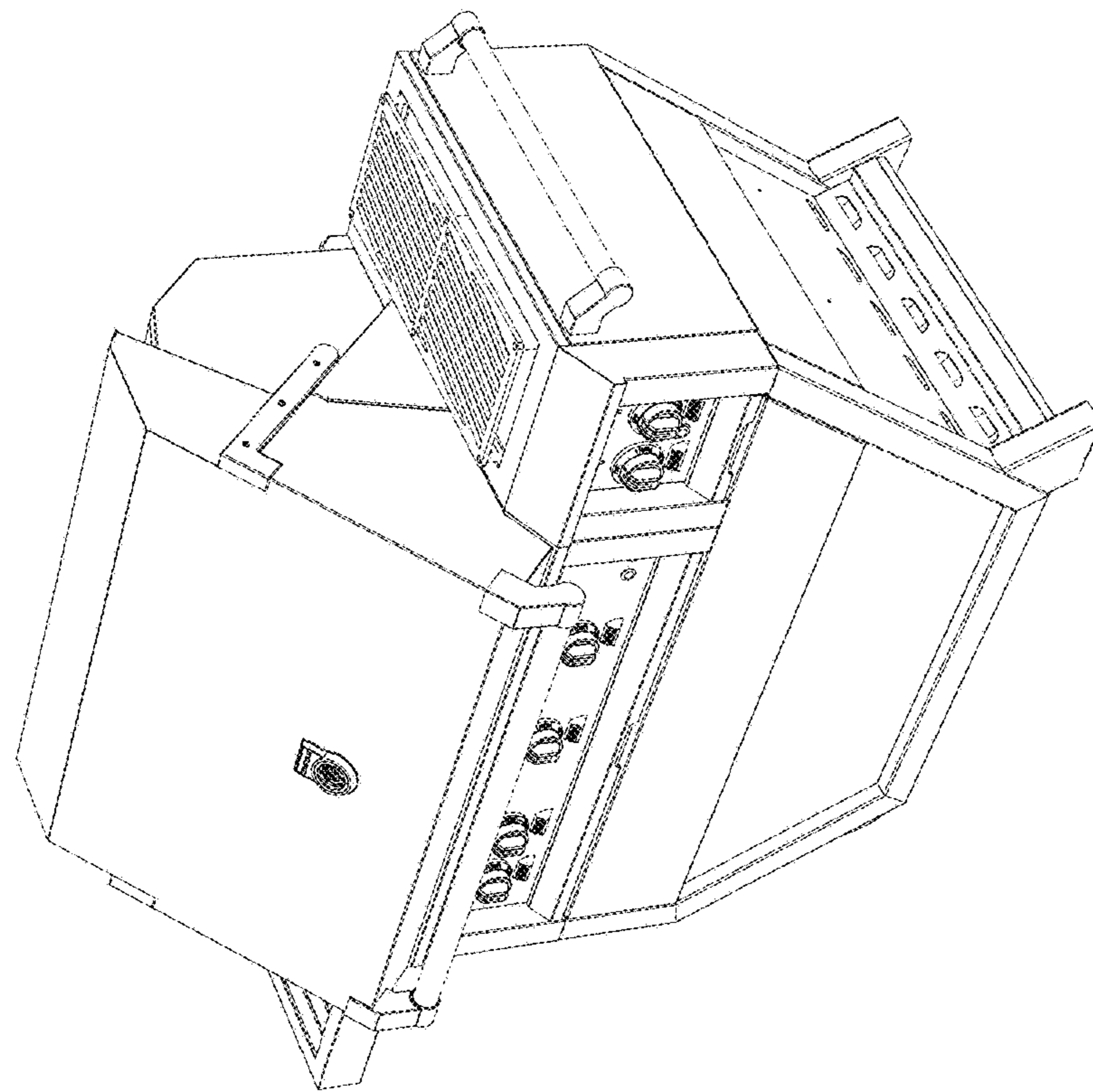


FIG. 1

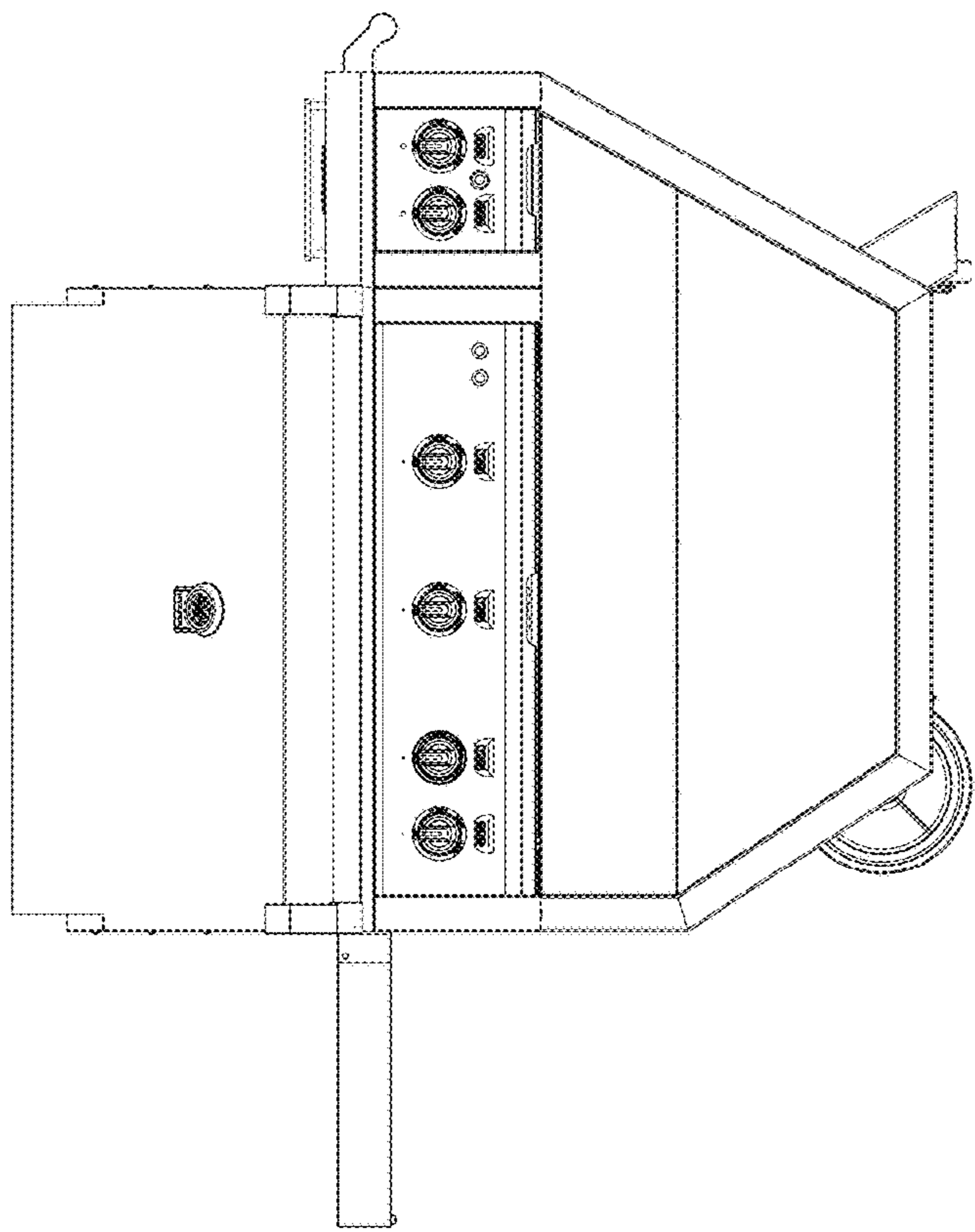


FIG. 2

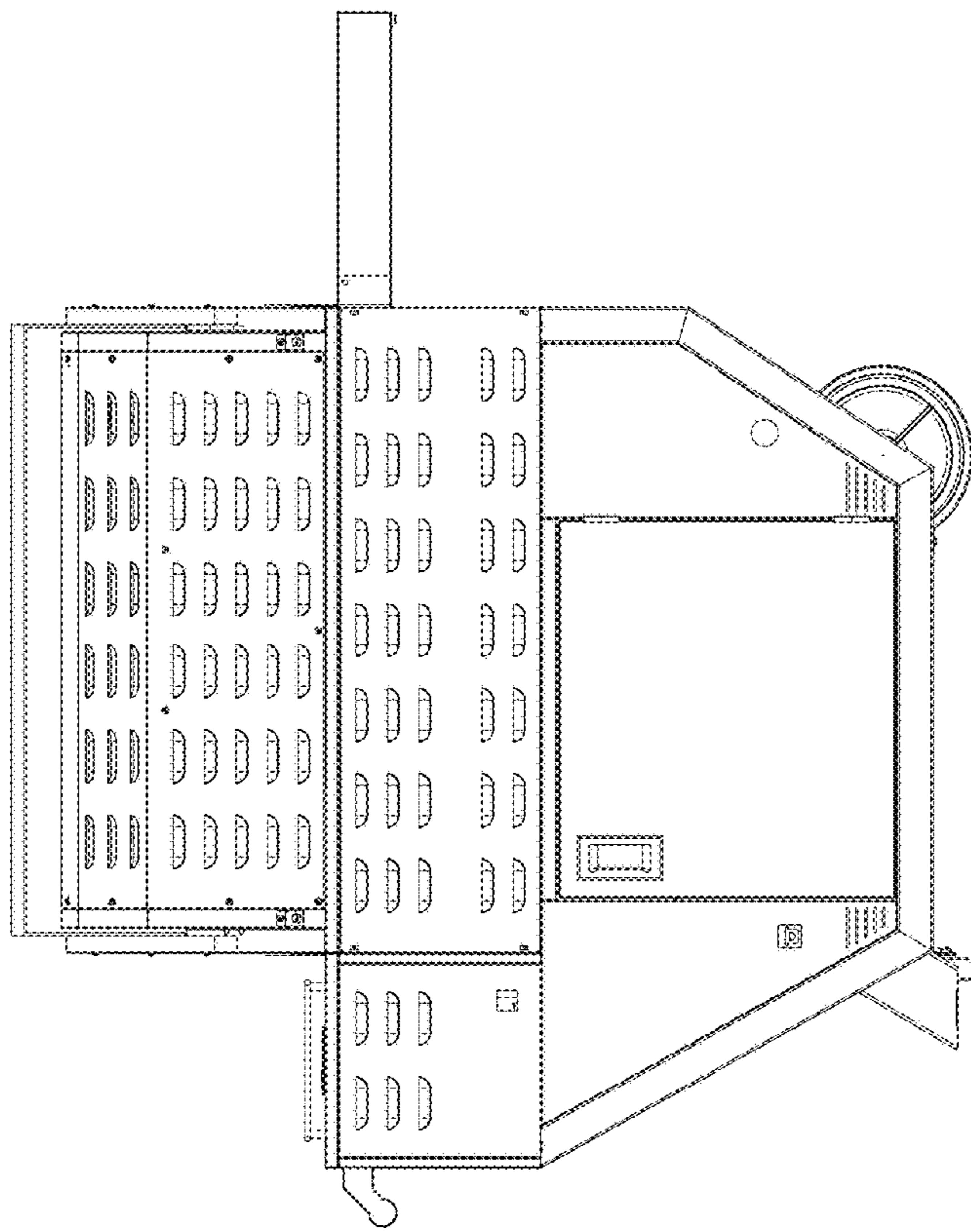


FIG. 3

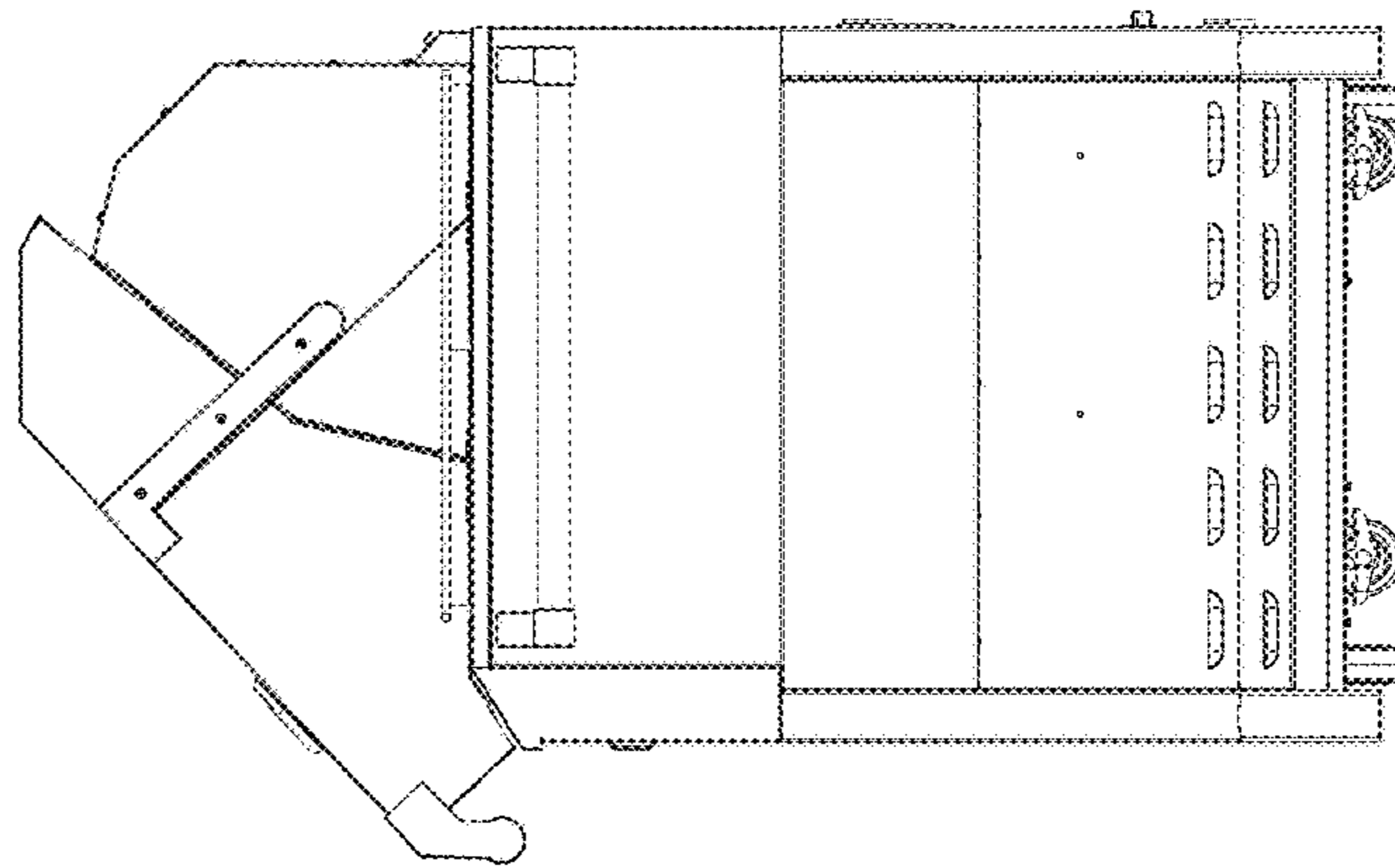


FIG. 4

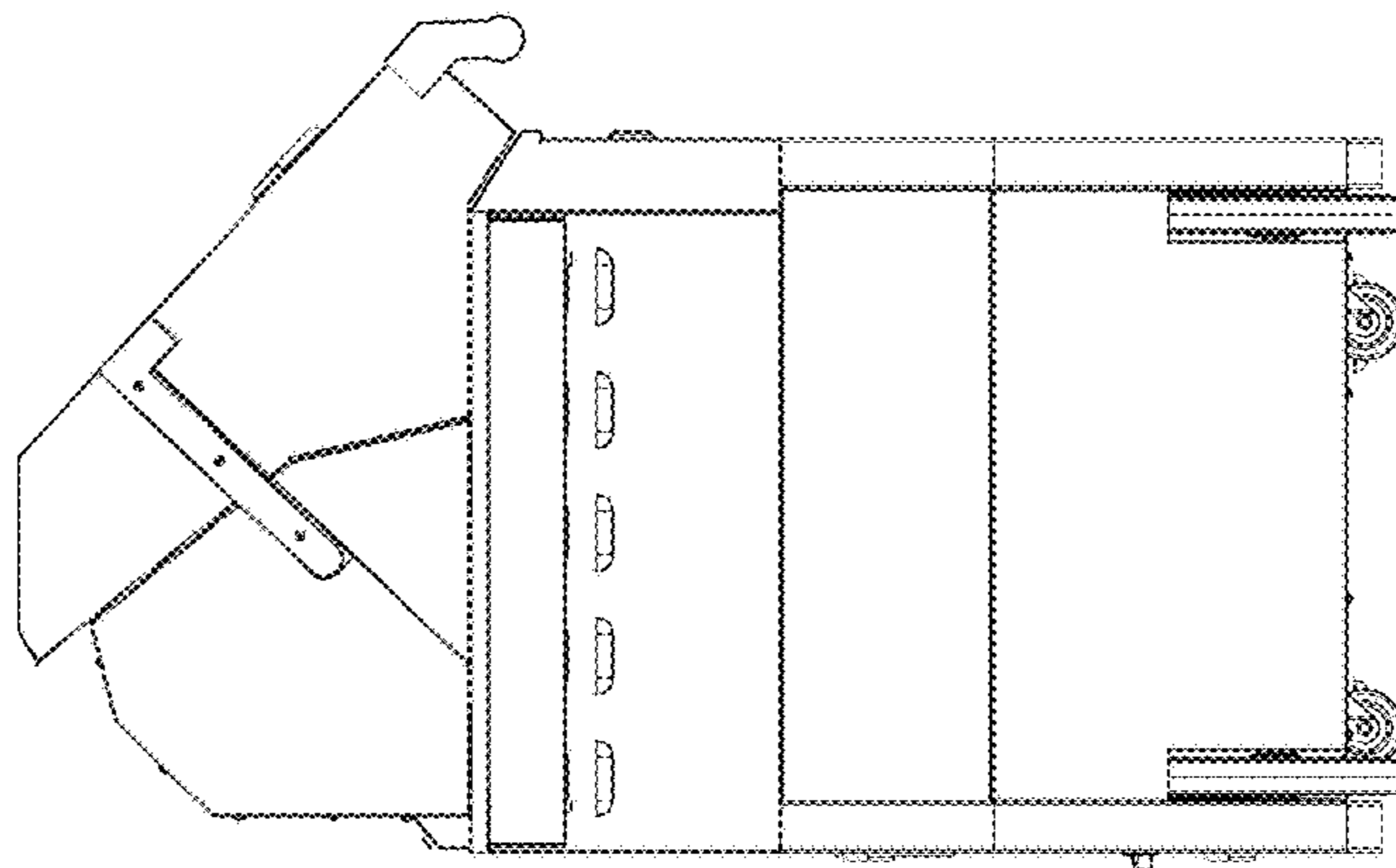


FIG. 5

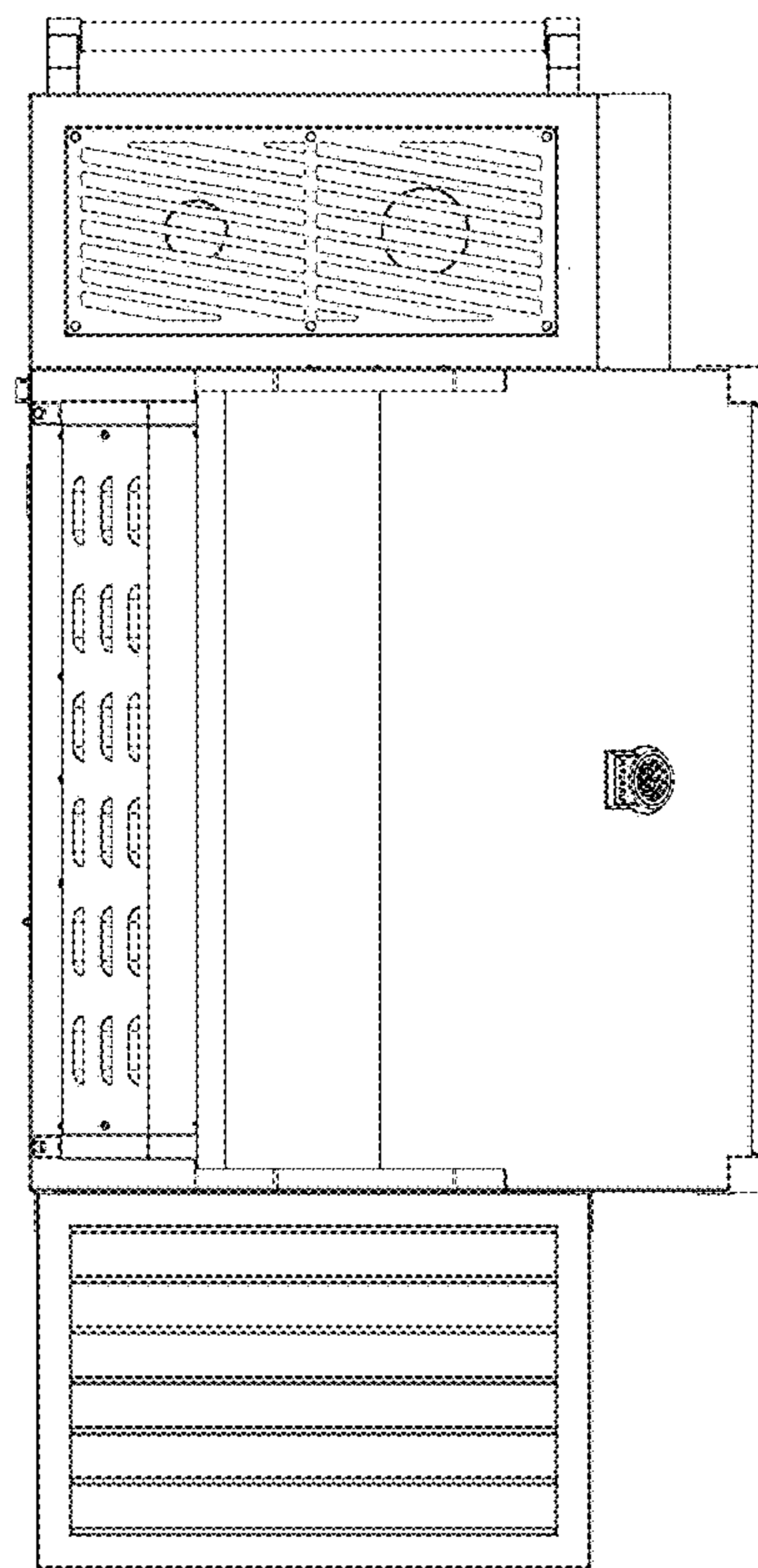


FIG. 6



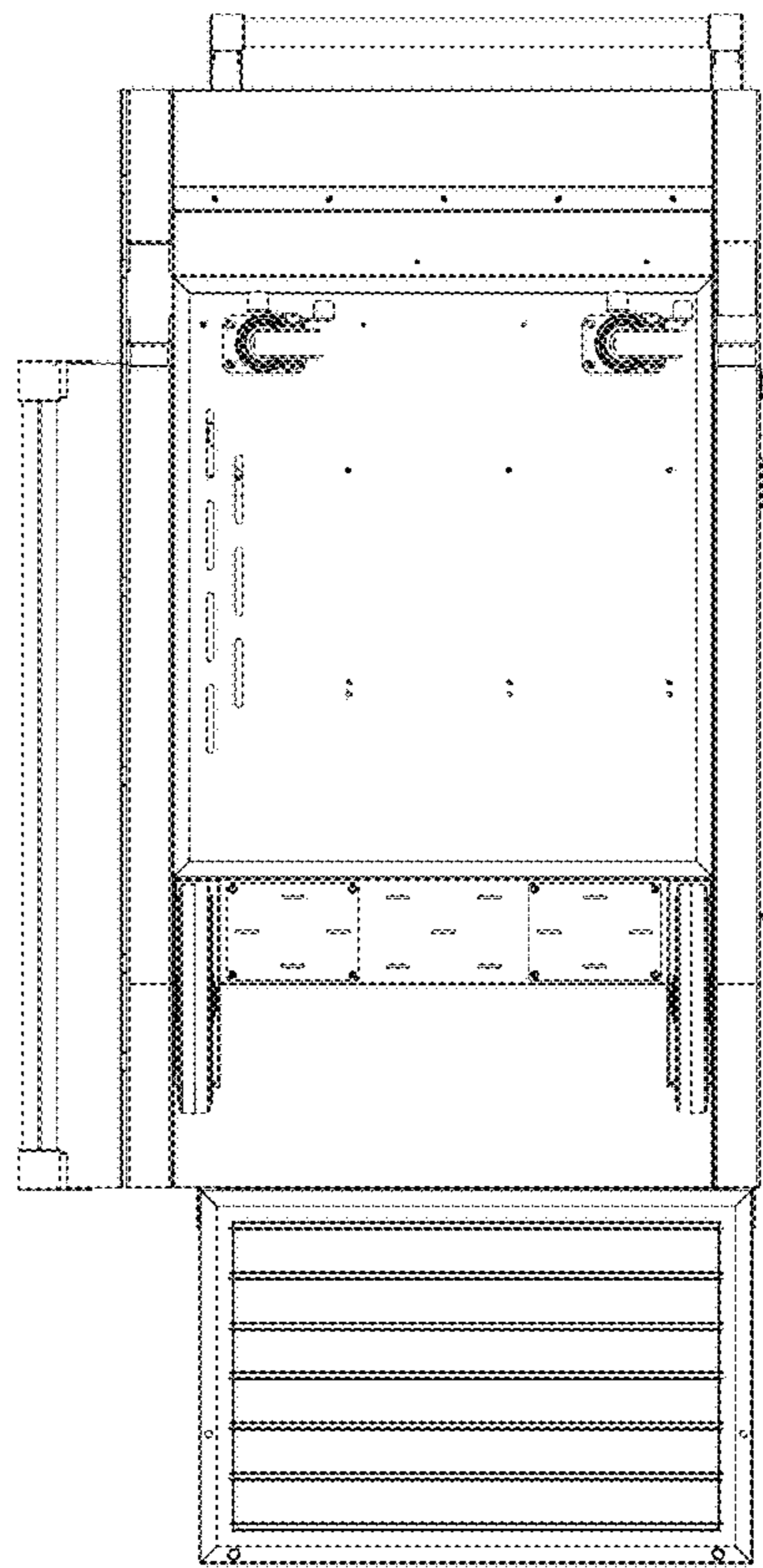


FIG. 7

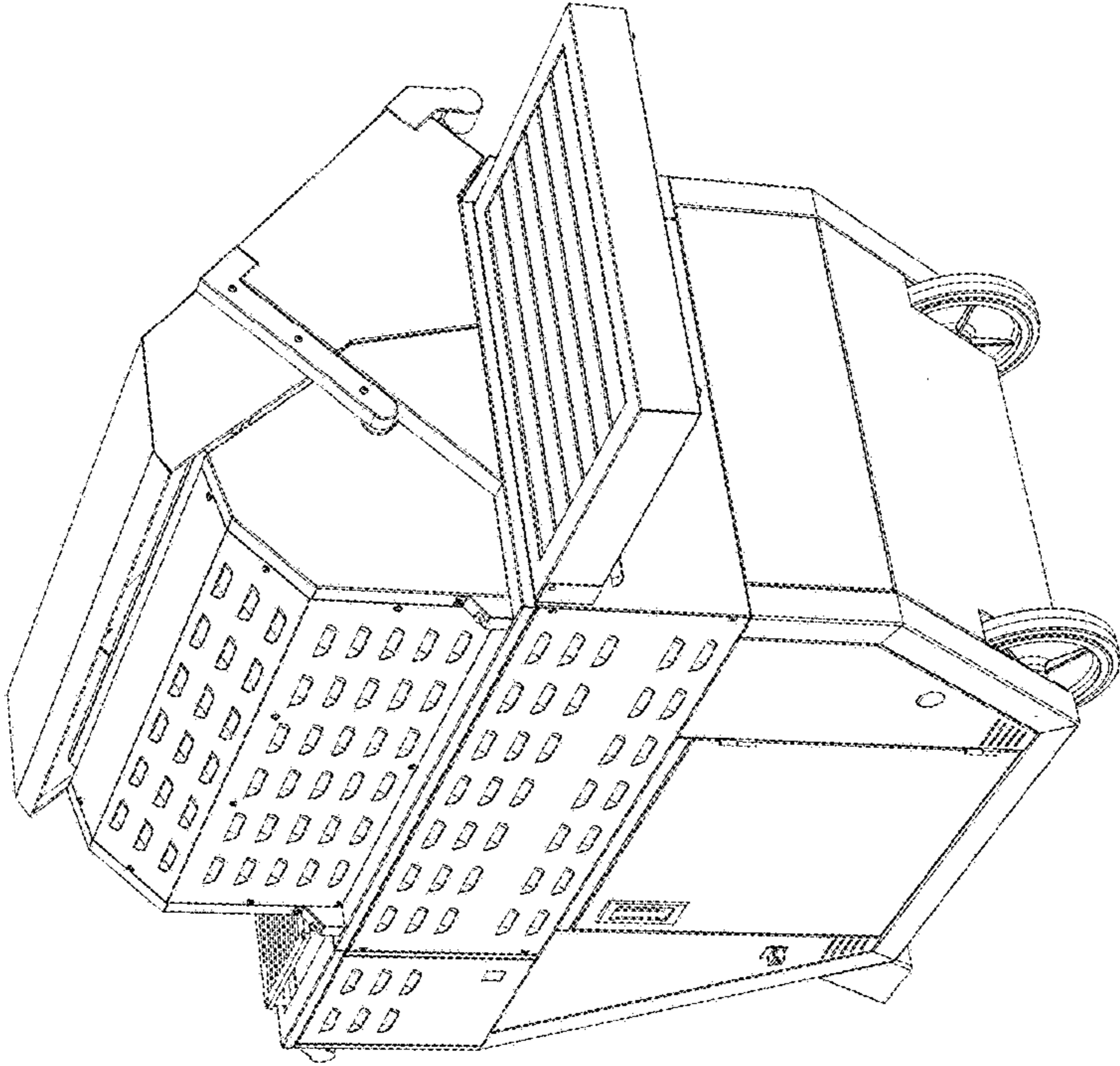


FIG. 8

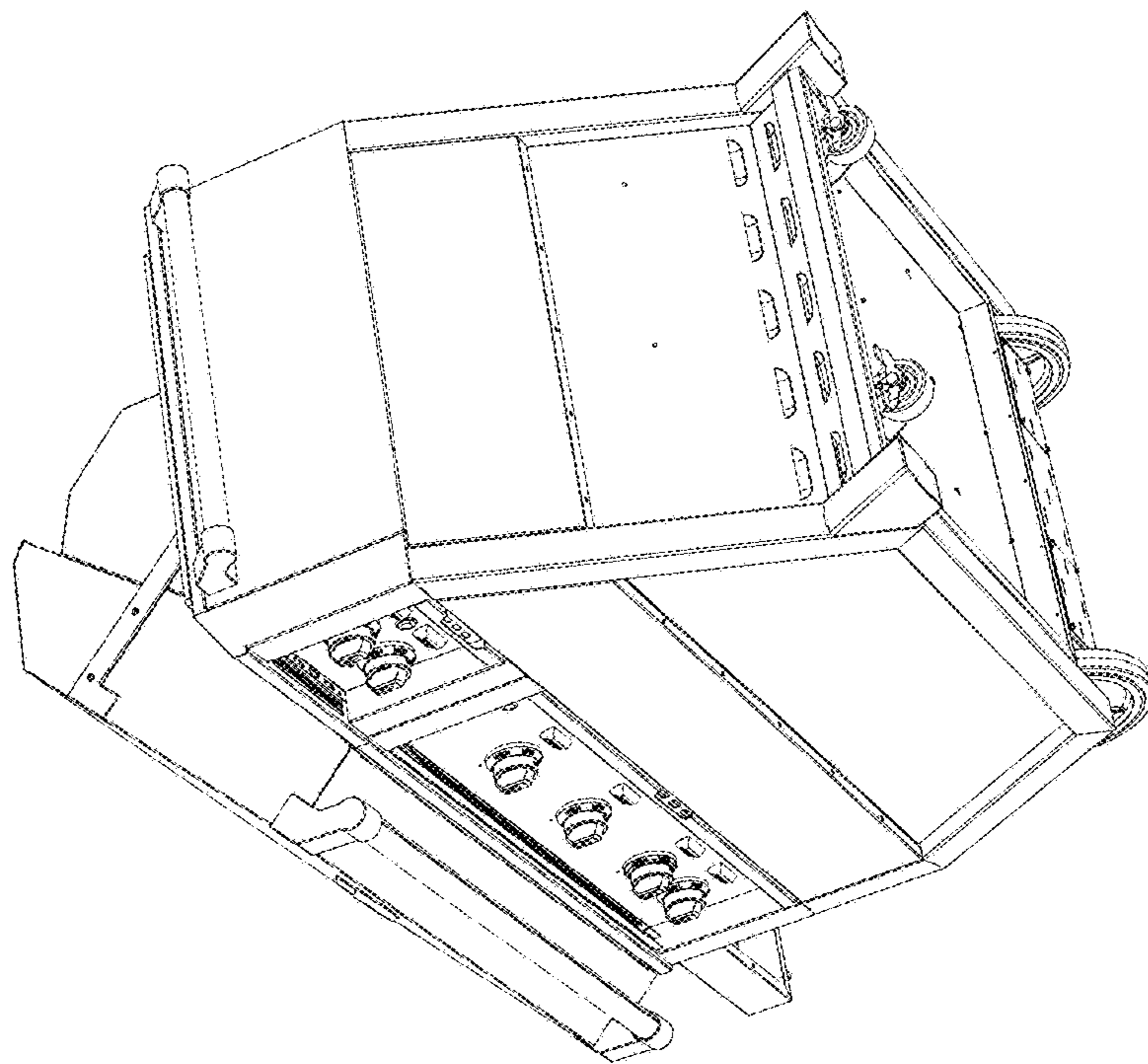


FIG. 9

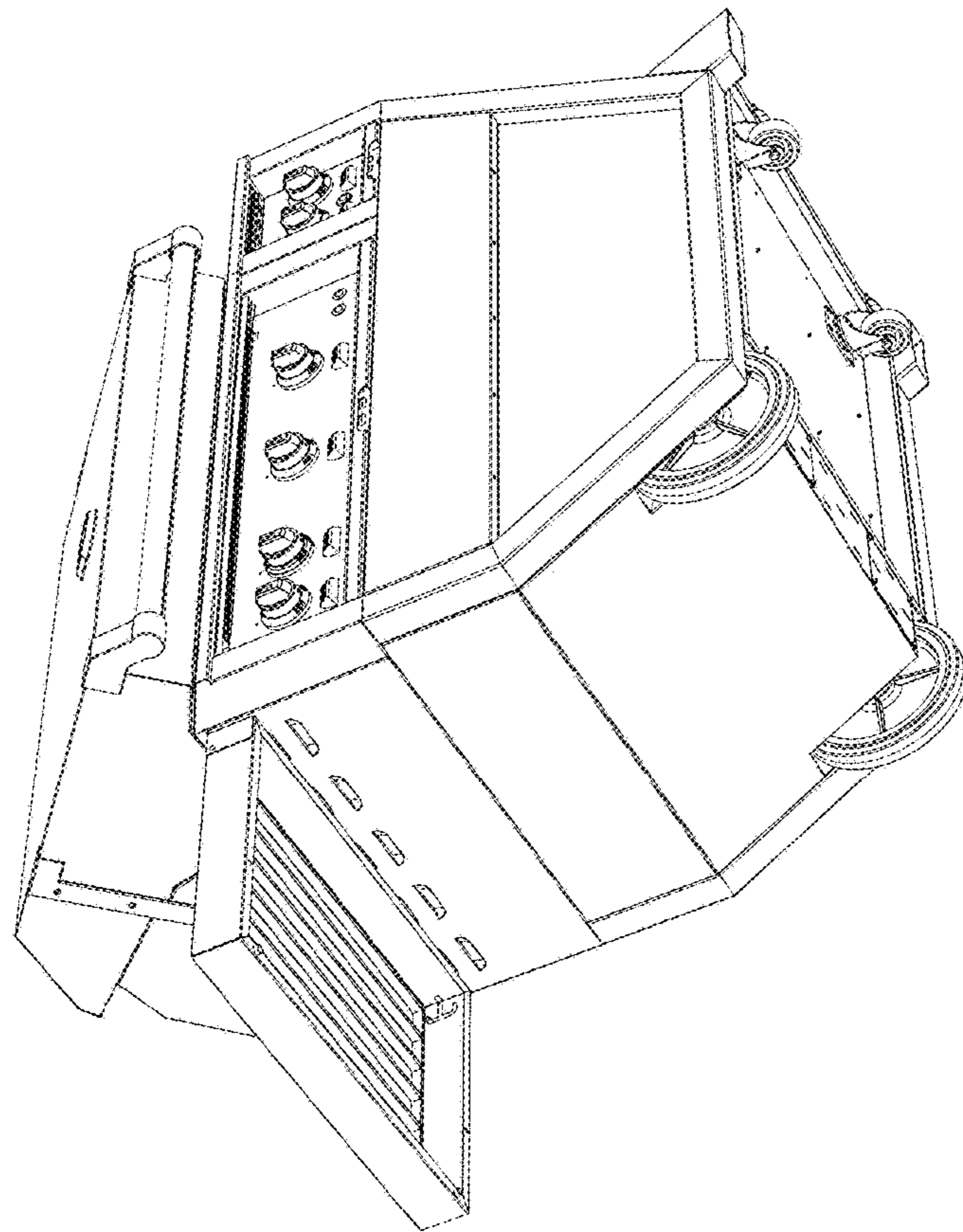


FIG. 10

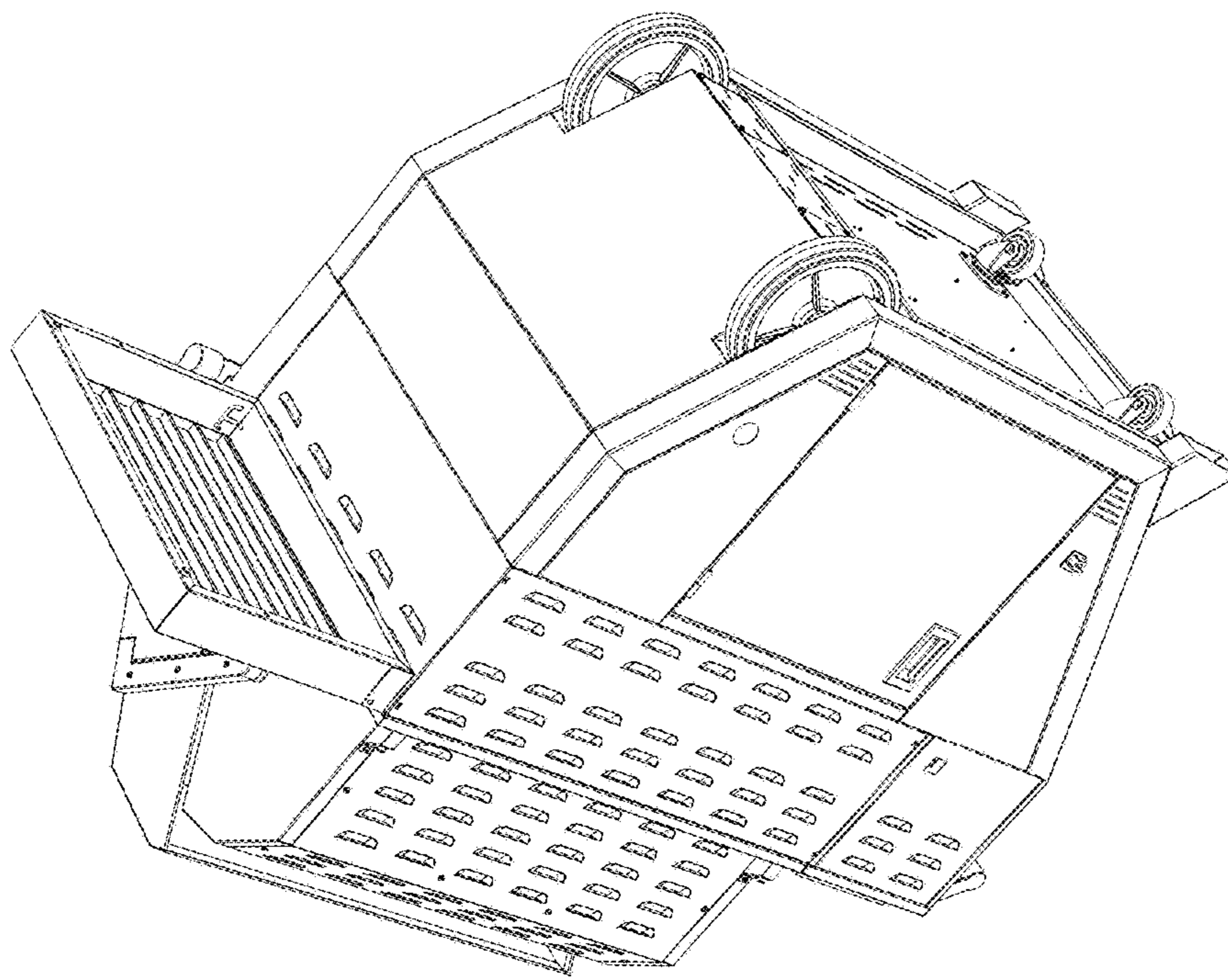


FIG. 11

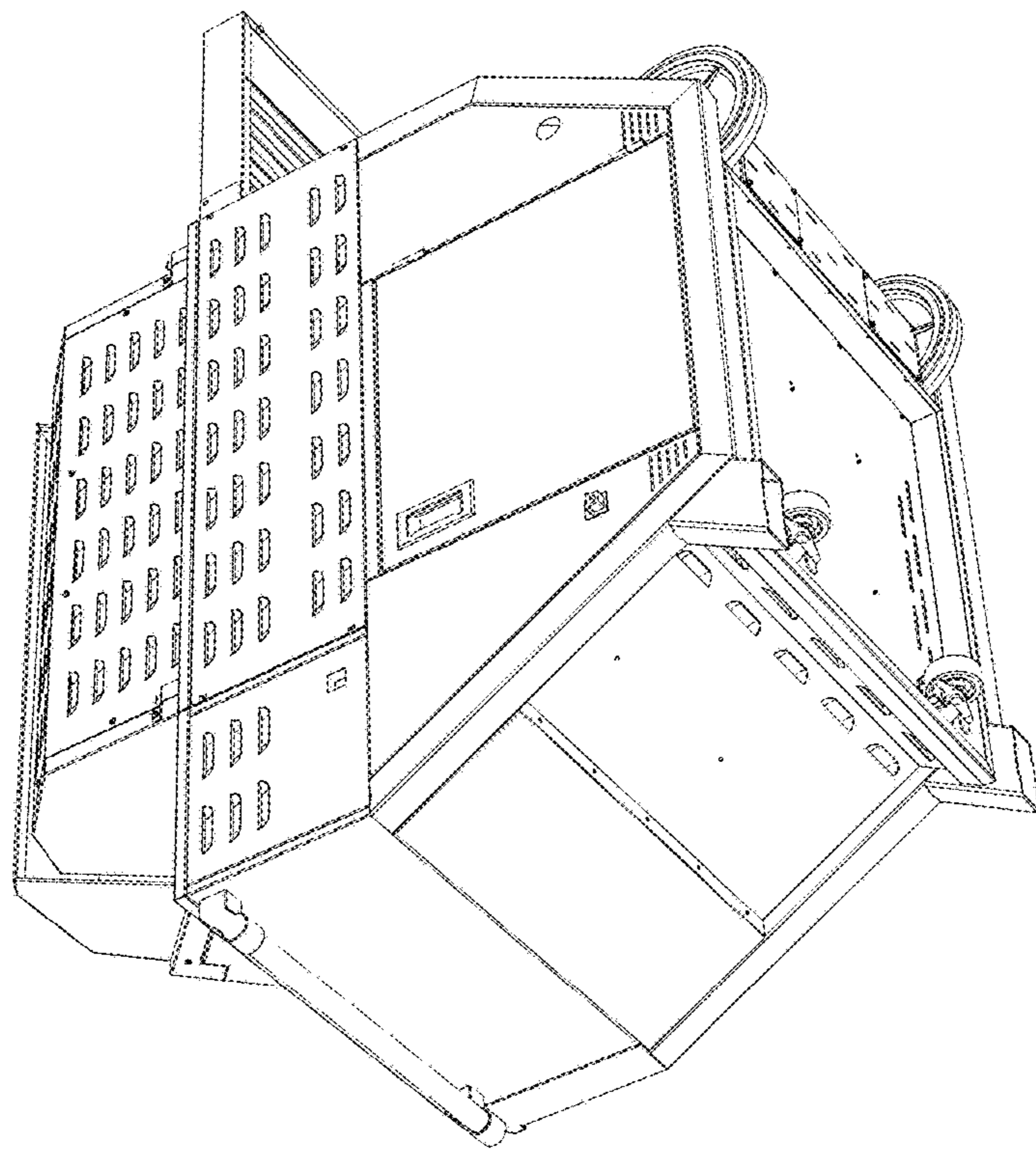


FIG. 12