



US00D842019S

(12) **United States Design Patent** (10) **Patent No.:** **US D842,019 S**  
**Su** (45) **Date of Patent:** **\*\* Mar. 5, 2019**

(54) **CHAIR BACKREST**

D642,819 S \* 8/2011 Piretti ..... D6/379  
D672,581 S \* 12/2012 Piretti ..... D6/376  
D673,395 S \* 1/2013 Piretti ..... D6/376  
D703,459 S \* 4/2014 Nakamura ..... D6/368

(71) Applicant: **Shu O Su**, Tainan (TW)

(72) Inventor: **Shu O Su**, Tainan (TW)

(\*\*) Term: **15 Years**

\* cited by examiner

(21) Appl. No.: **29/627,632**

*Primary Examiner* — Mimoso De  
(74) *Attorney, Agent, or Firm* — Raymond Y. Chan;  
David and Raymond Patent Firm

(22) Filed: **Nov. 29, 2017**

(51) **LOC (11) Cl.** ..... **06-01**

(57) **CLAIM**

(52) **U.S. Cl.**

USPC ..... **D6/716.4**; D6/376; D6/380

The ornamental design for a chair backrest, as shown and described.

(58) **Field of Classification Search**

USPC ..... D6/334–336, 366, 368, 374, 376, 379,  
D6/380, 716, 716.1, 716.2, 716.4

CPC .... A47C 3/04; A47C 4/02; A47C 4/03; A47C  
5/04; A47C 5/06; A47C 5/12; A47C 7/16

See application file for complete search history.

**DESCRIPTION**

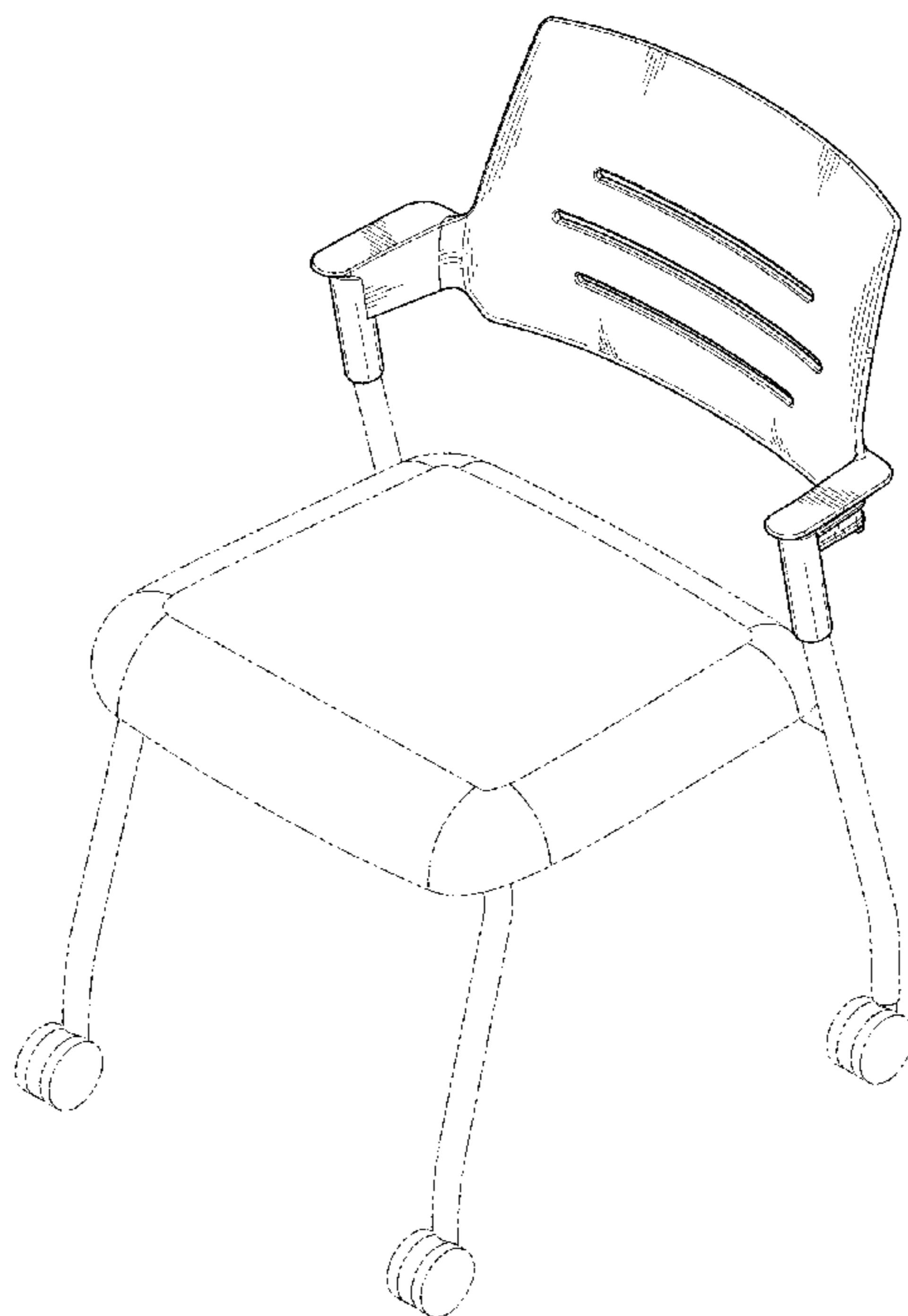
FIG. 1 is a perspective view of chair backrest showing my new design;  
FIG. 2 is a front view thereof;  
FIG. 3 is a rear view thereof;  
FIG. 4 is a left end view thereof;  
FIG. 5 is a right end view thereof;  
FIG. 6 is a top view thereof;  
FIG. 7 is a bottom view thereof;  
FIG. 8 is another perspective view thereof; and,  
FIG. 9 is a perspective view of the chair backrest showing my new design connected to a support unit, wherein the broken lines in the drawing is for illustrative purpose only and shows the portion that forms no part of the design to be claimed.

(56) **References Cited**

**U.S. PATENT DOCUMENTS**

6,196,632 B1 \* 3/2001 De Lucchi ..... A47C 5/06  
297/301.1  
6,669,301 B1 \* 12/2003 Funk ..... A47C 5/12  
297/452.15  
D546,085 S \* 7/2007 Ritch ..... D6/366  
D548,475 S \* 8/2007 Ritch ..... D6/368  
D592,876 S \* 5/2009 Smith ..... D6/374  
D605,421 S \* 12/2009 Baldanzi ..... D6/368  
7,775,600 B2 \* 8/2010 Battey ..... A47C 4/02  
297/440.15  
D637,839 S \* 5/2011 Piretti ..... D6/380  
D638,641 S \* 5/2011 Piretti ..... D6/380

**1 Claim, 6 Drawing Sheets**



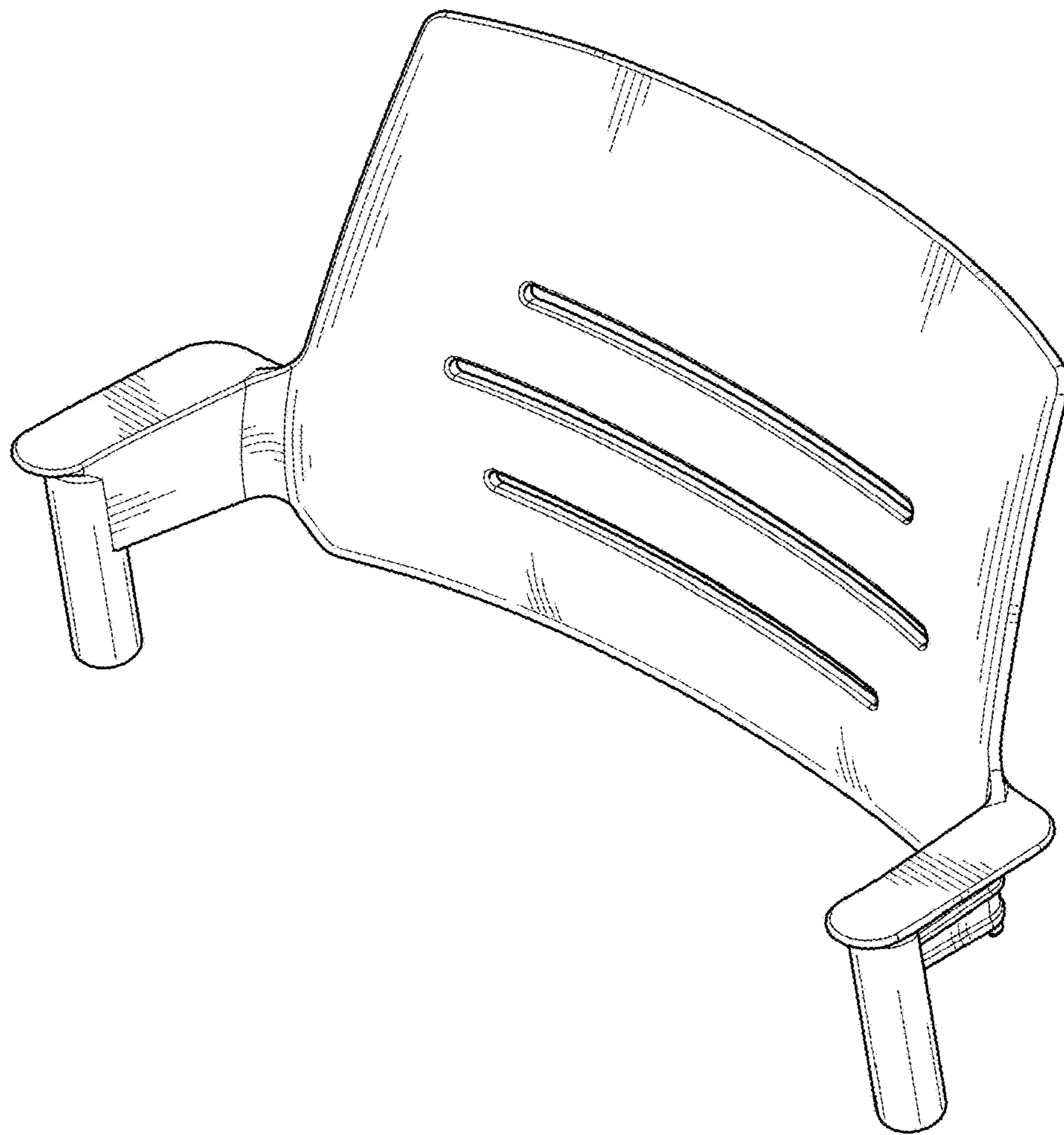


FIG. 1

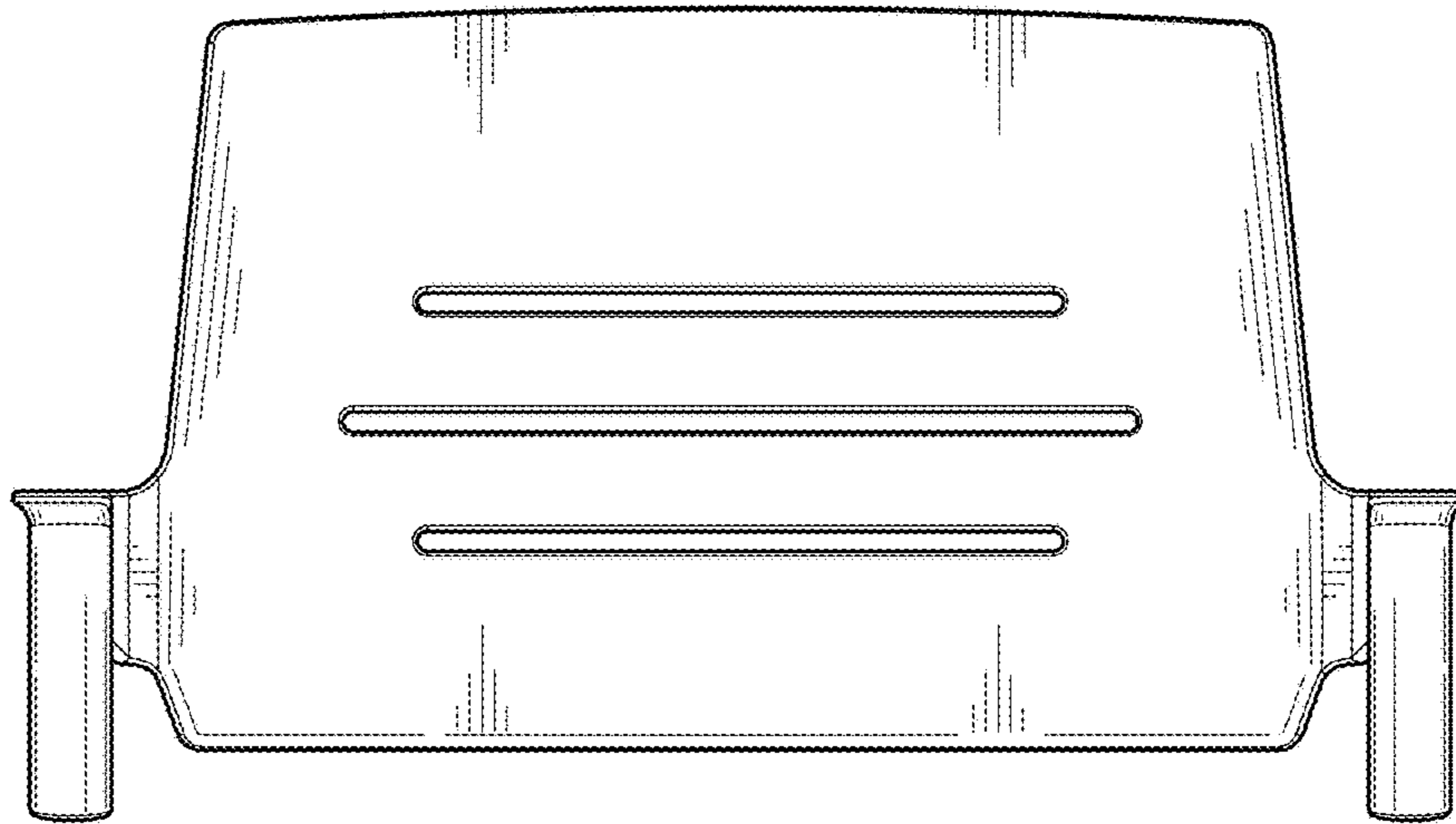


FIG. 2

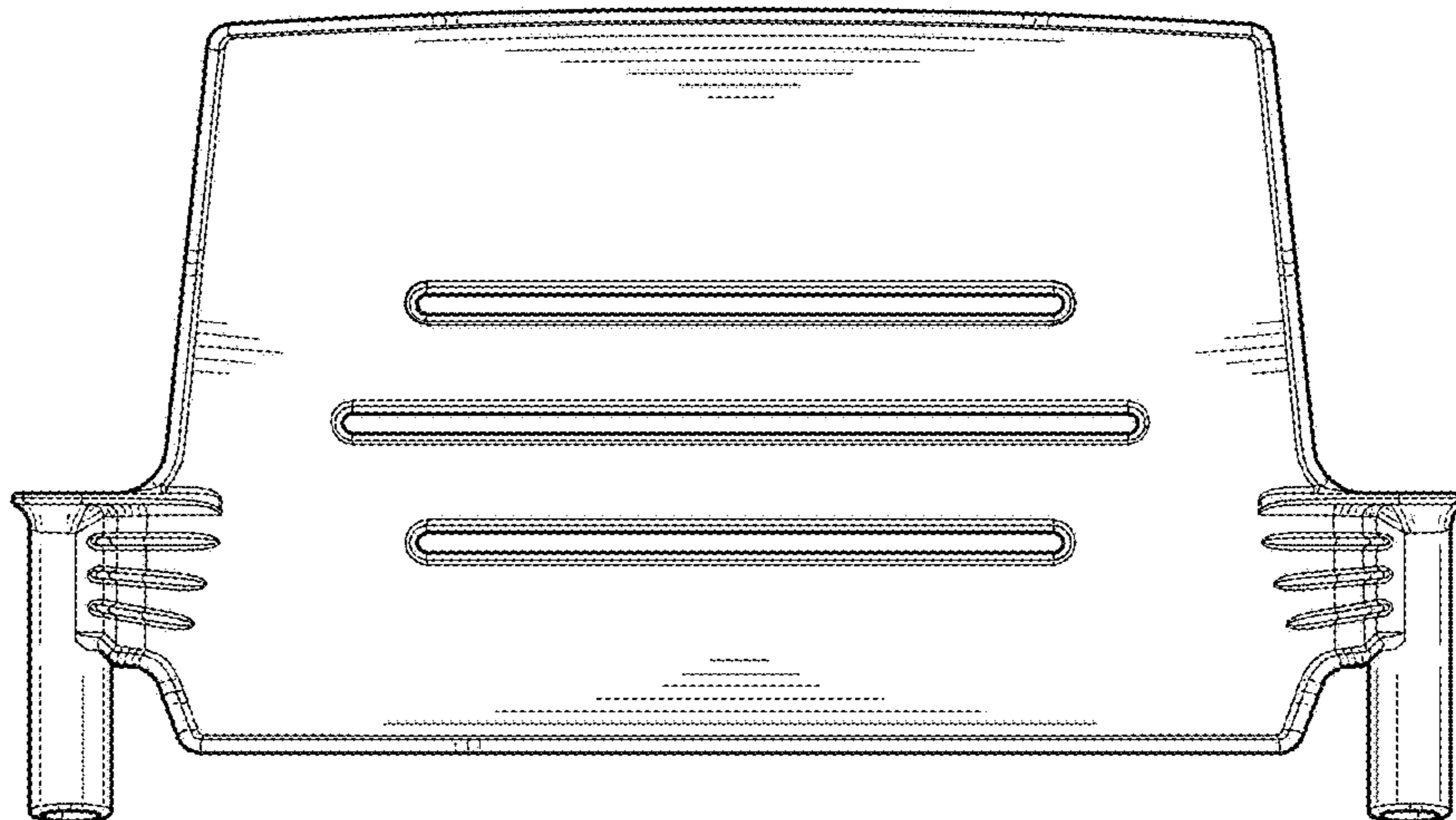


FIG. 3

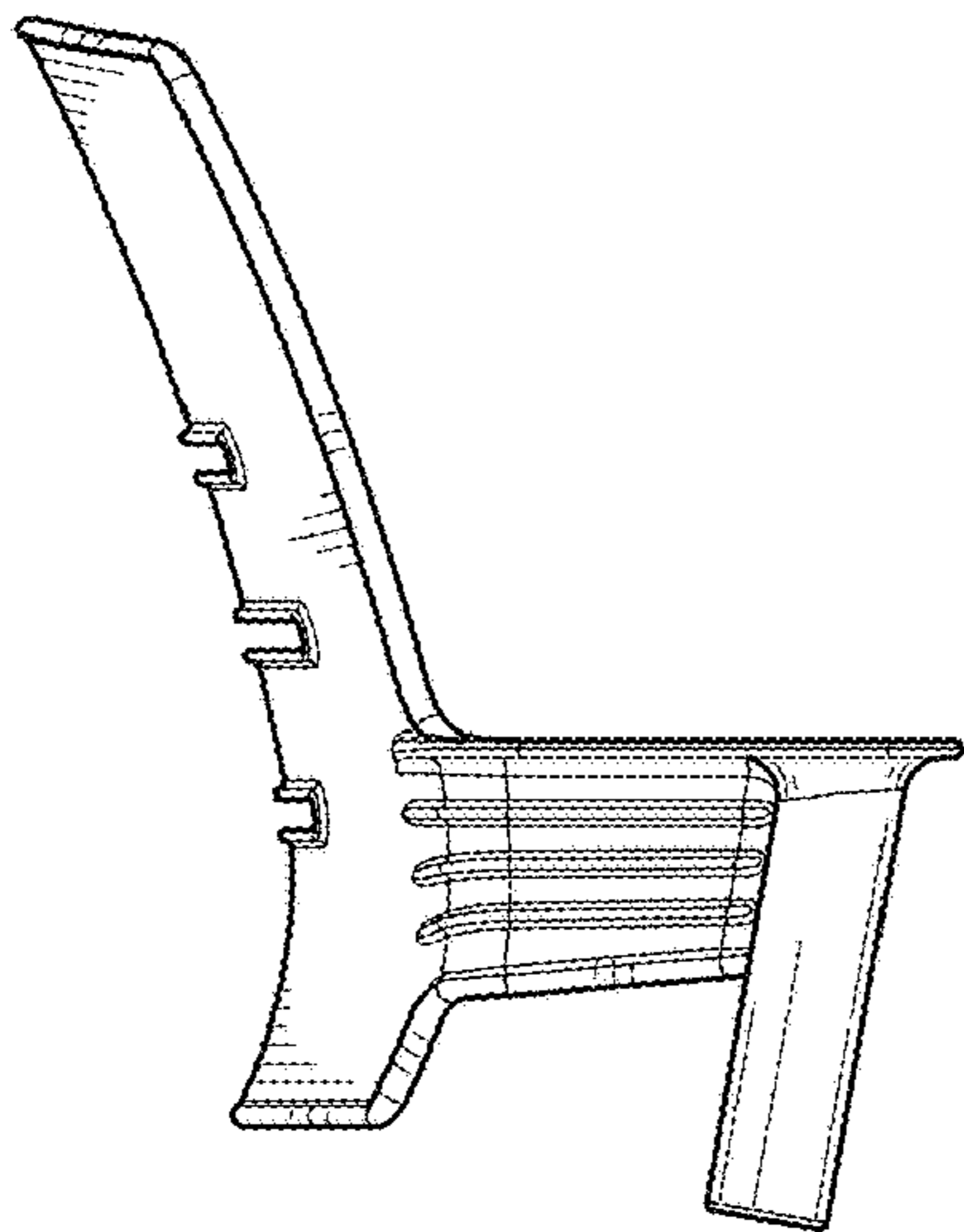


FIG. 4

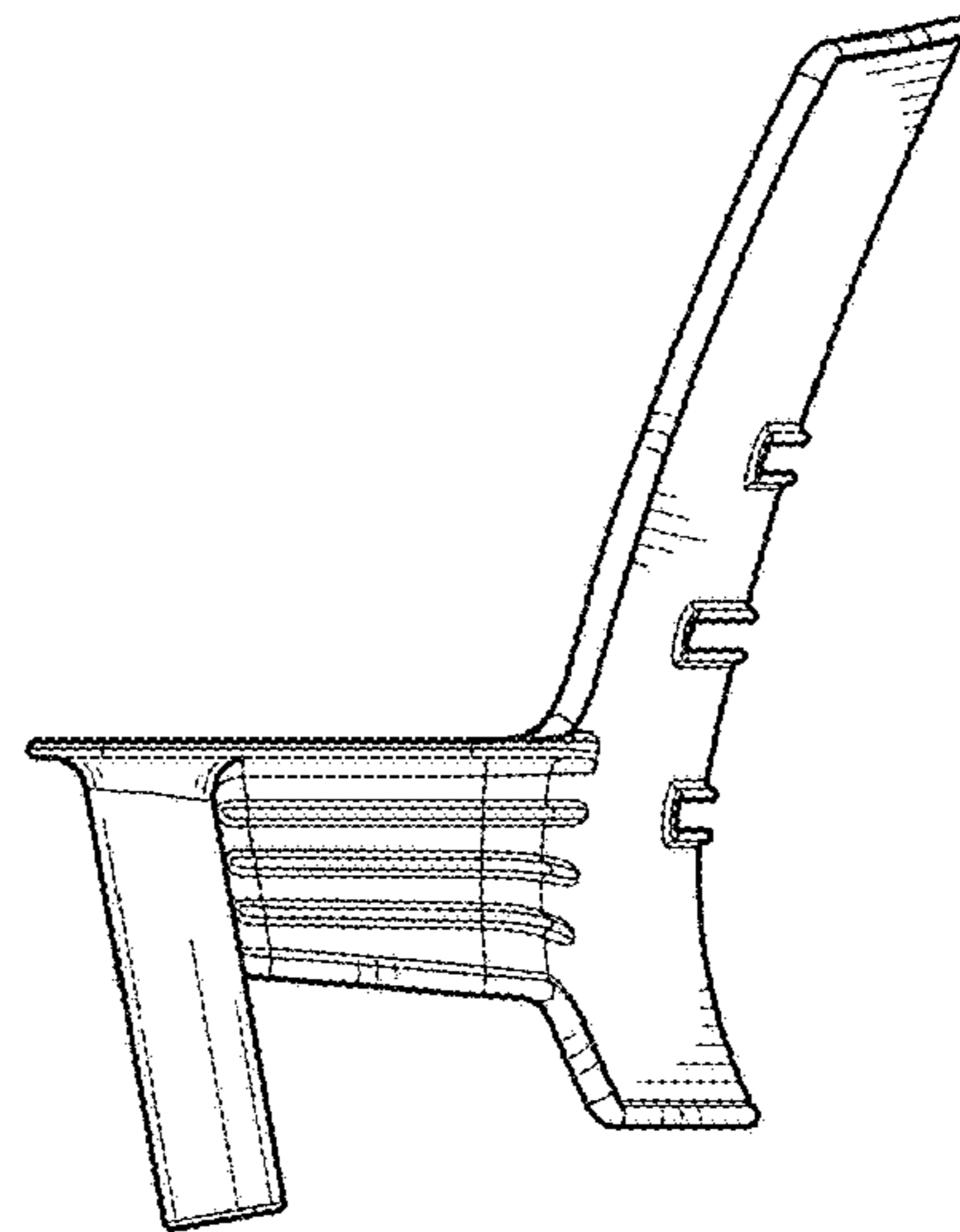


FIG. 5

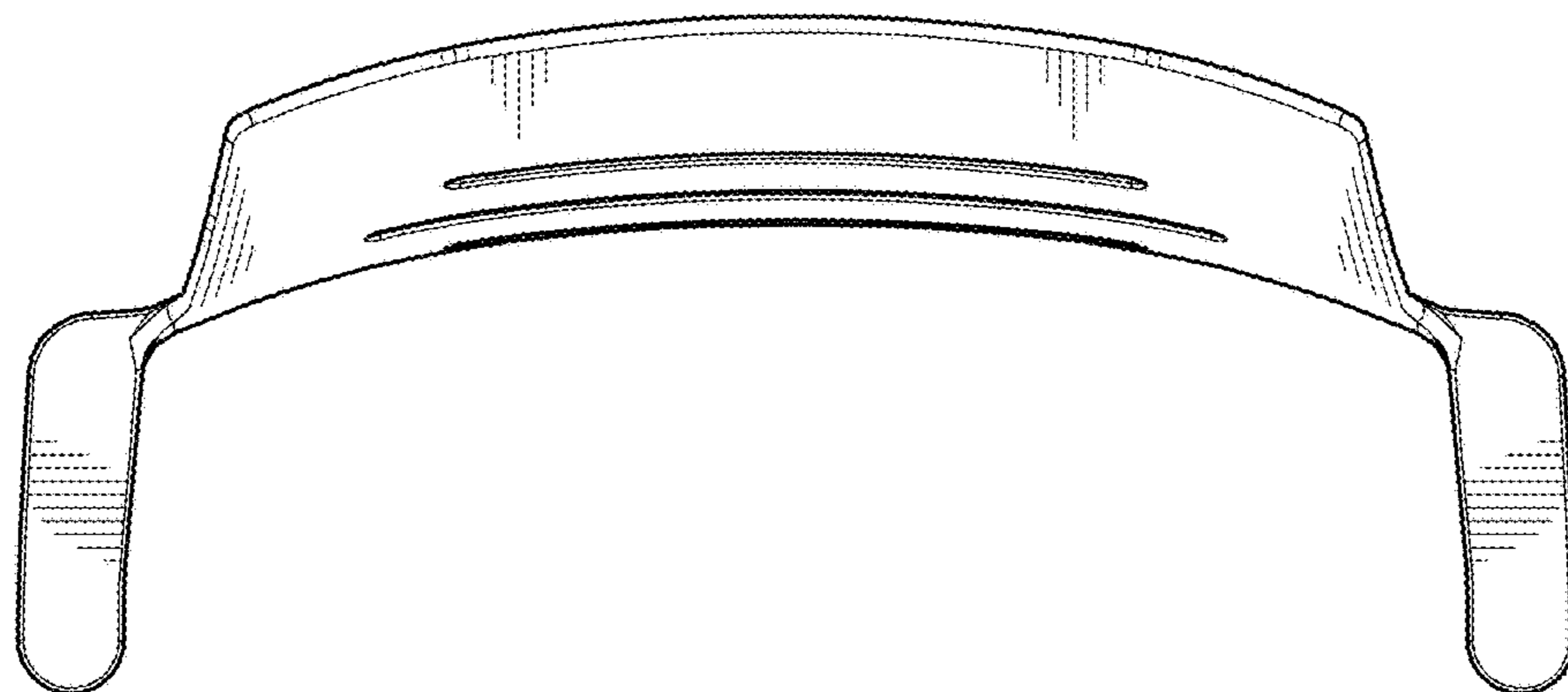


FIG. 6

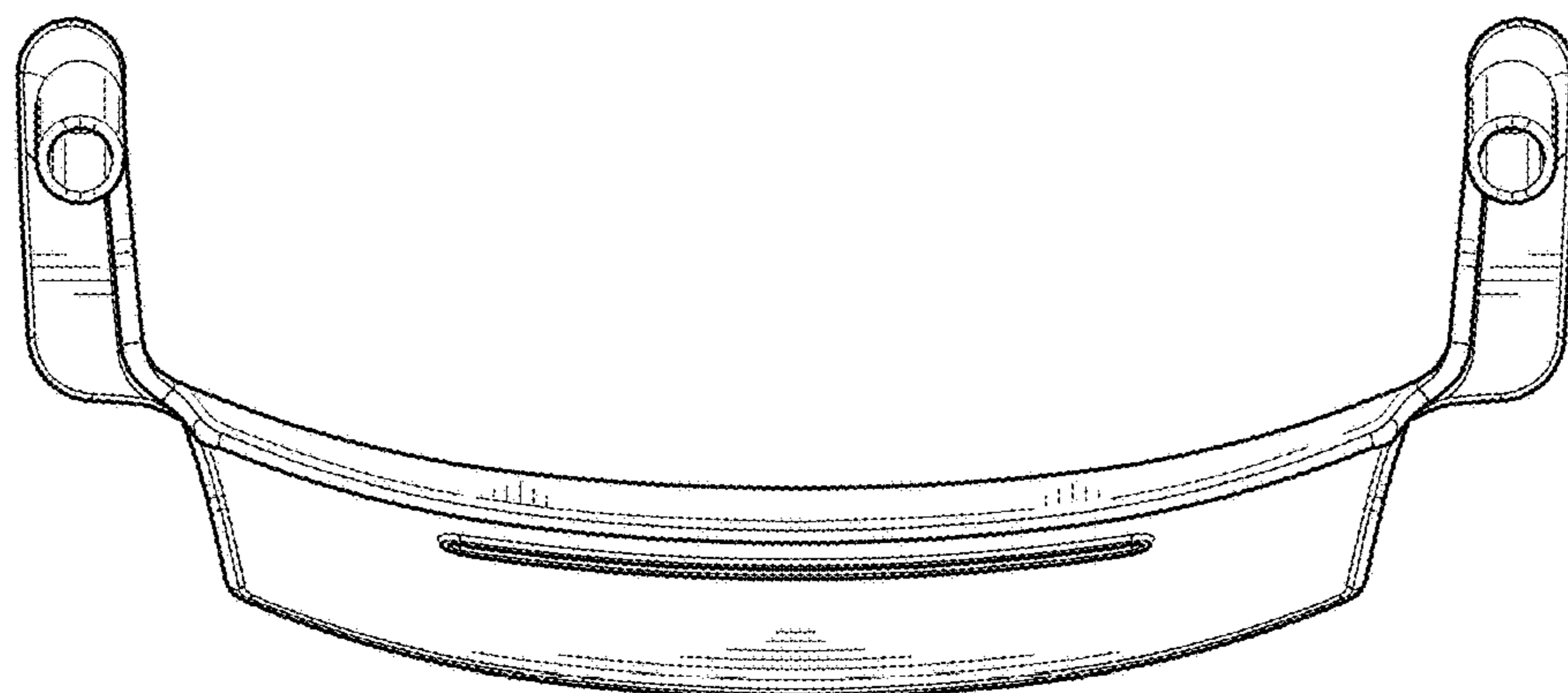


FIG. 7

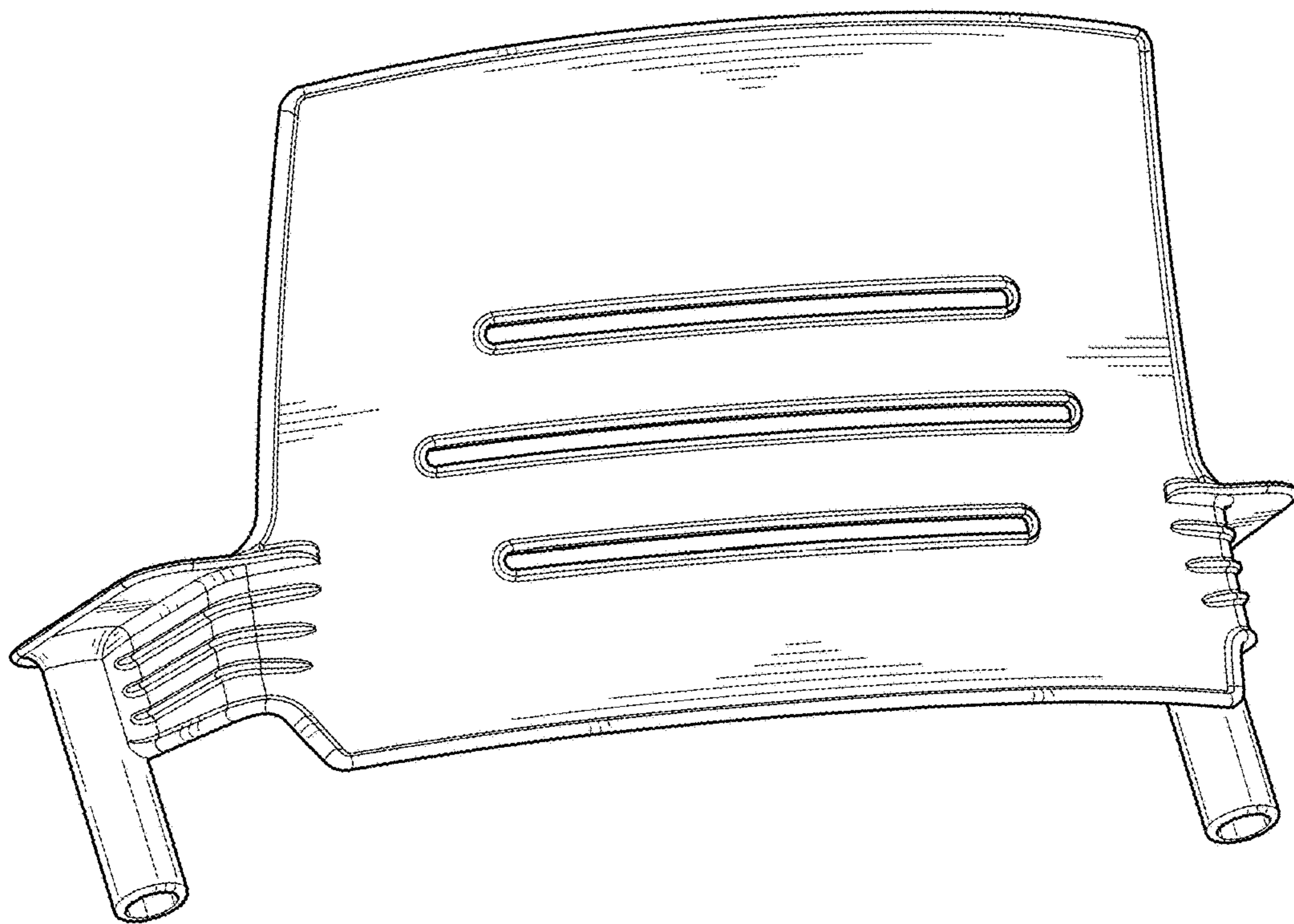


FIG. 8

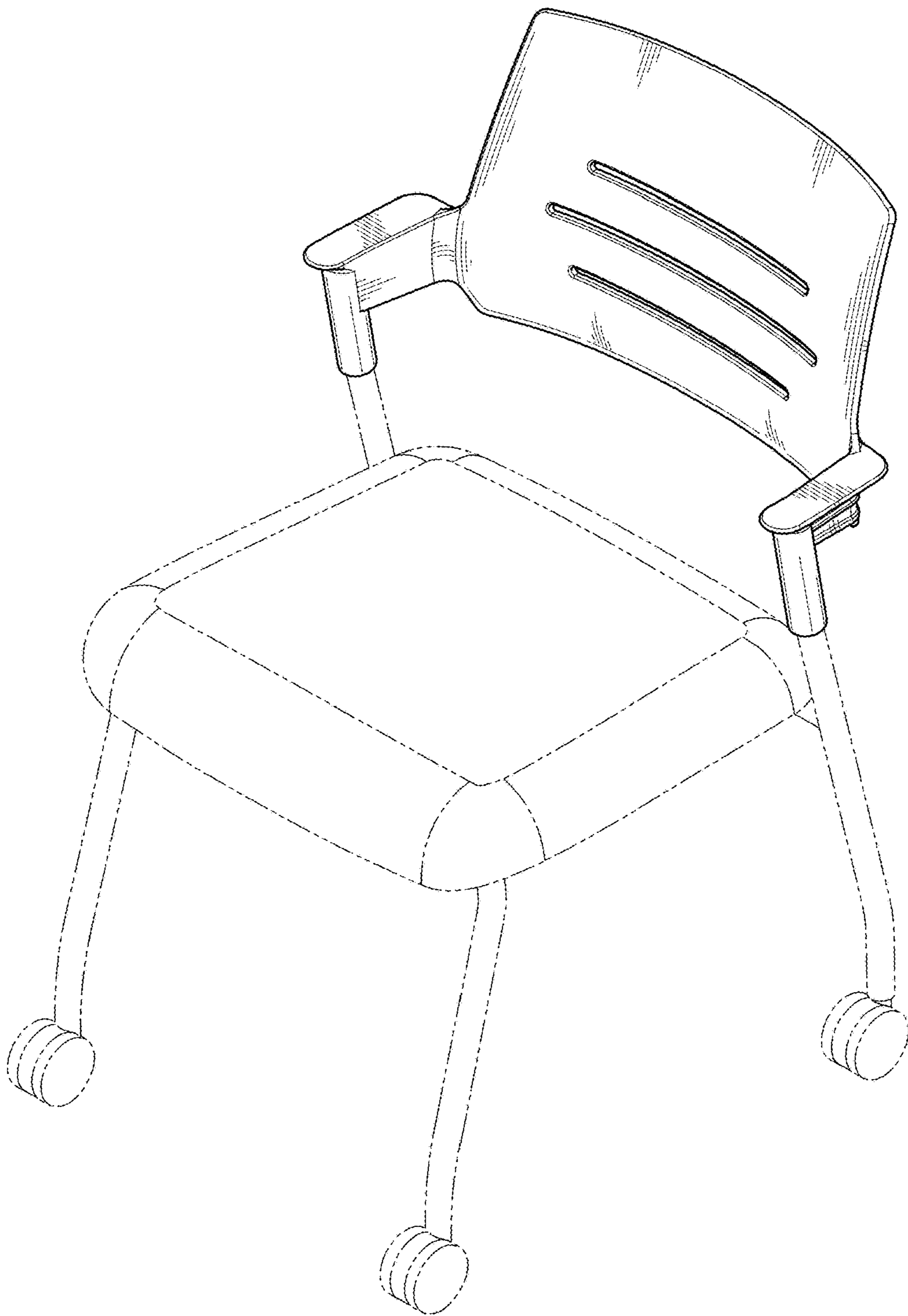


FIG. 9