



US00D842017S

(12) **United States Design Patent**  
**Herkner**

(10) **Patent No.:** **US D842,017 S**

(45) **Date of Patent:** **\*\* Mar. 5, 2019**

(54) **CHAIR**

(71) Applicant: **DEDON, GmbH**, Lüneburg (DE)

(72) Inventor: **Sebastian Herkner**, Offenbach am Main (DE)

(73) Assignee: **DEDON, GmbH**, Lüneburg (DE)

(\*\*) Term: **15 Years**

(21) Appl. No.: **29/616,076**

(22) Filed: **Sep. 1, 2017**

(51) **LOC (11) Cl.** ..... **06-01**

(52) **U.S. Cl.**  
USPC ..... **D6/716; D6/369**

(58) **Field of Classification Search**

USPC ..... D6/334-336, 360, 369, 370, 371, 372,  
D6/373, 374, 716, 716.1, 716.2, 716.4

CPC .... A47C 5/02; A47C 7/18; A47C 7/24; A47C  
7/282; A47C 7/285; A47C 7/54

See application file for complete search history.

(56) **References Cited**

**U.S. PATENT DOCUMENTS**

D269,056 S \* 5/1983 Claman ..... D6/369  
D276,958 S \* 1/1985 Thorpe ..... D6/369

D278,487 S \* 4/1985 Welsh ..... D6/369  
D372,366 S \* 8/1996 Frinier ..... D6/369  
D380,100 S \* 6/1997 Smith ..... D6/369  
D386,910 S \* 12/1997 Saiger ..... D6/334  
D626,350 S \* 11/2010 Chang ..... D6/369  
D665,187 S \* 8/2012 Li ..... D6/369  
D774,793 S \* 12/2016 Cazzaniga ..... D6/369  
D774,794 S \* 12/2016 Cazzaniga ..... D6/369  
D776,446 S \* 1/2017 Brandstatter ..... D6/369  
D799,874 S \* 10/2017 Swy ..... D6/716

\* cited by examiner

*Primary Examiner* — Mimosa De

(74) *Attorney, Agent, or Firm* — MacCord Mason PLLC

(57) **CLAIM**

The ornamental design for a chair, as shown and described.

**DESCRIPTION**

FIG. 1 is a front perspective view of a chair showing my new design;

FIG. 2 is a front elevation view thereof;

FIG. 3 is a left side elevation view thereof;

FIG. 4 is a right side elevation view thereof;

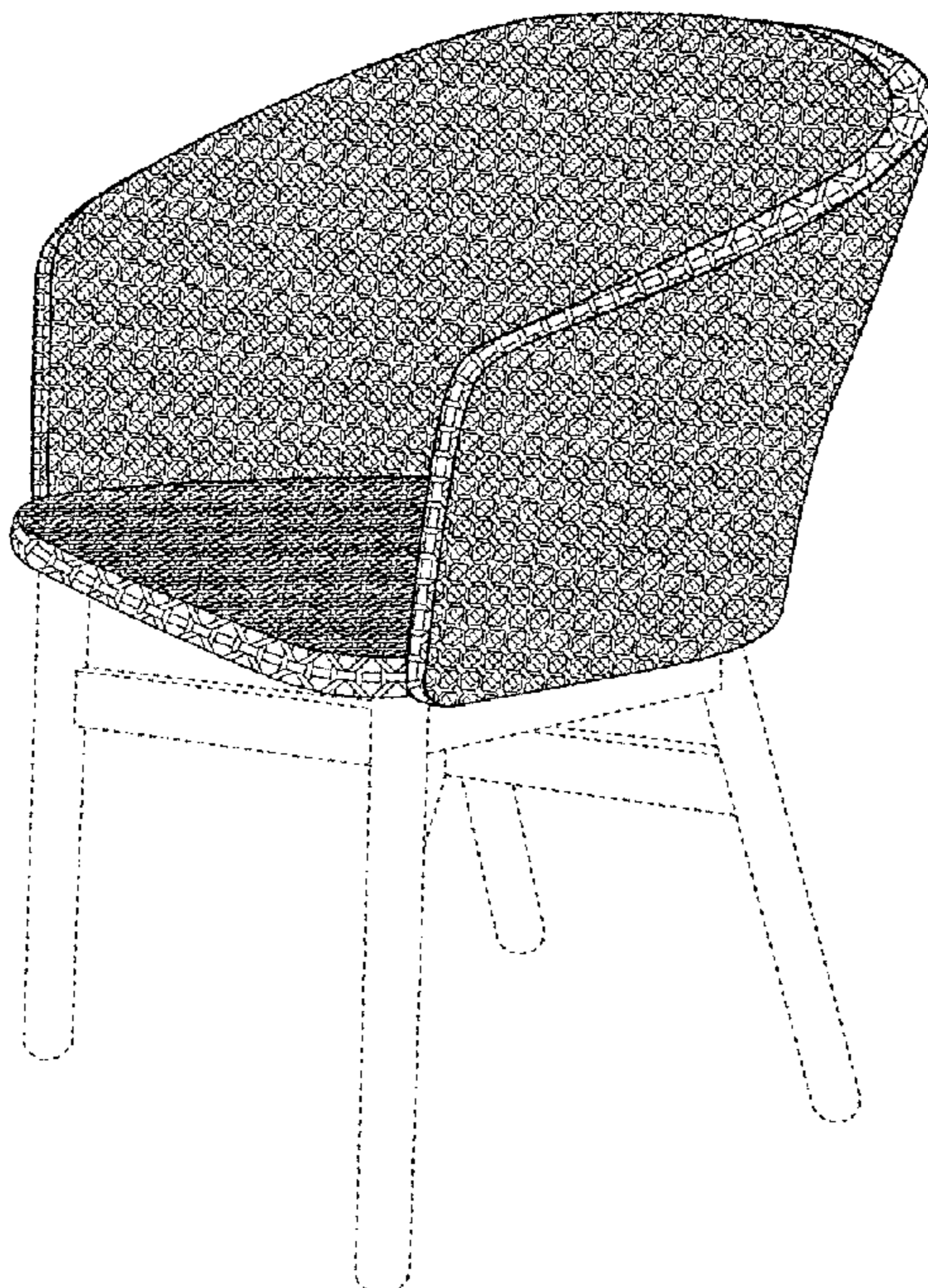
FIG. 5 is a rear elevation view thereof;

FIG. 6 is a top plan view thereof; and,

FIG. 7 is a bottom plan view.

The objects shown in dotted lines depict environment and form no part of the claimed design.

**1 Claim, 7 Drawing Sheets**



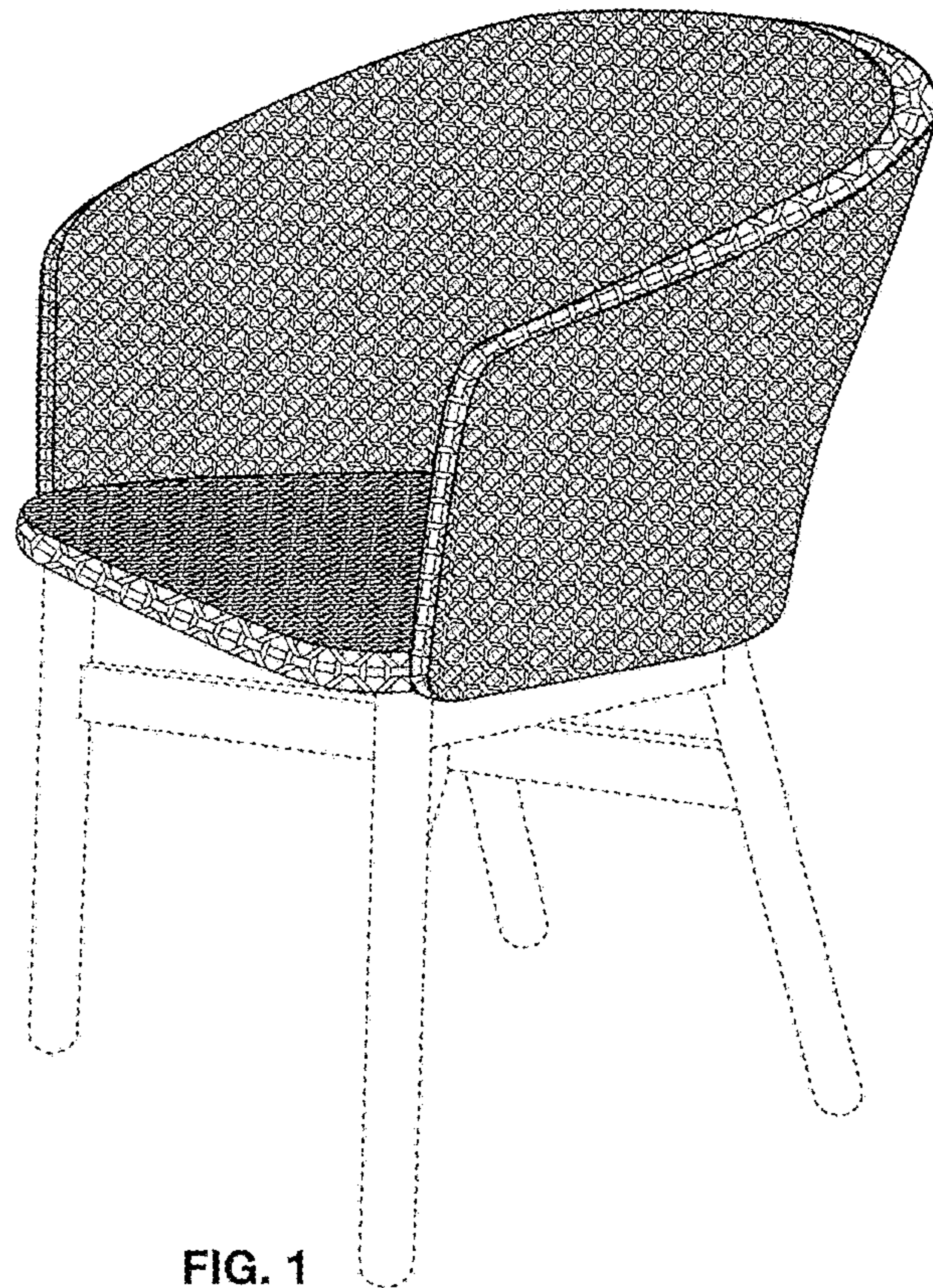


FIG. 1

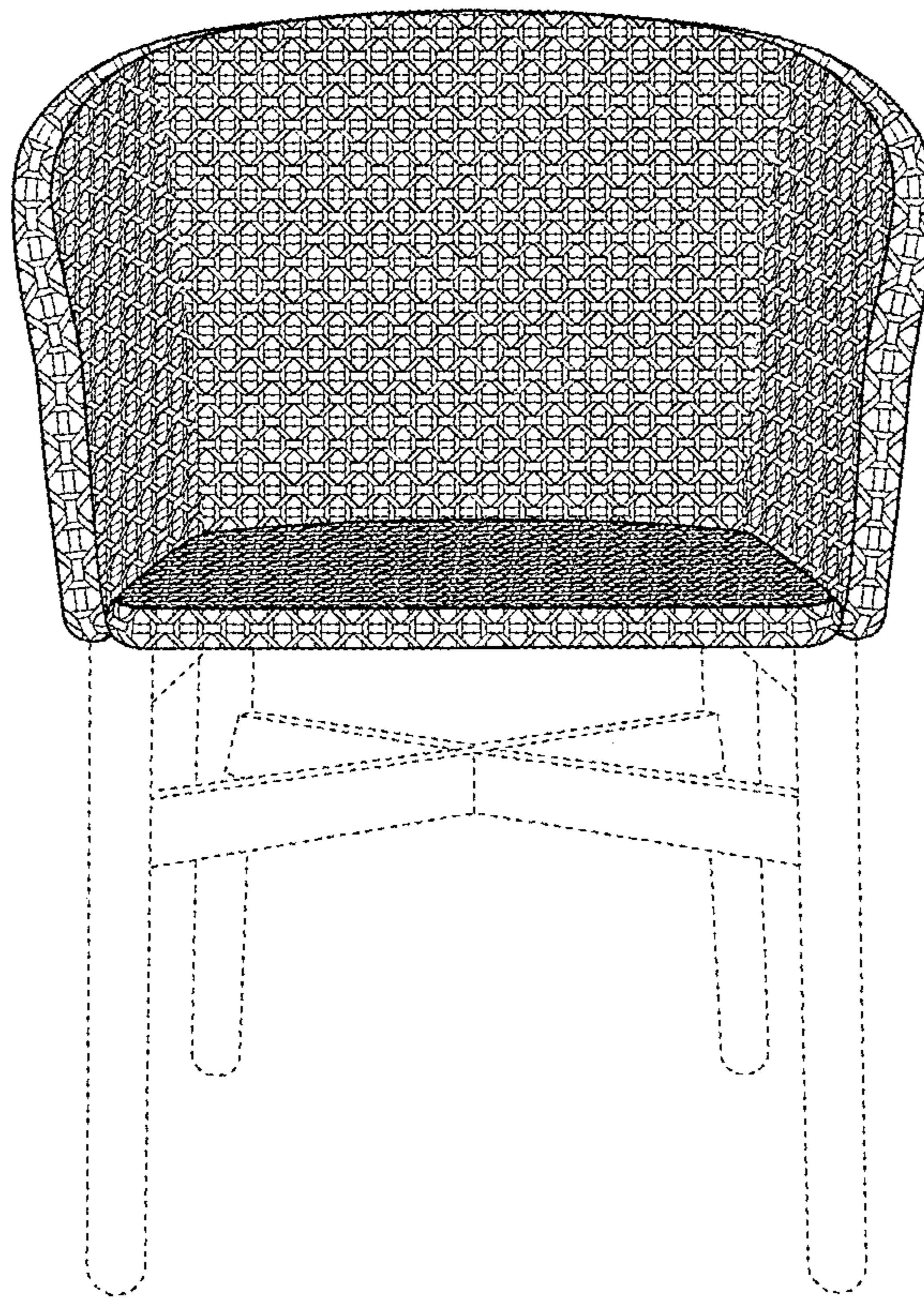


FIG. 2

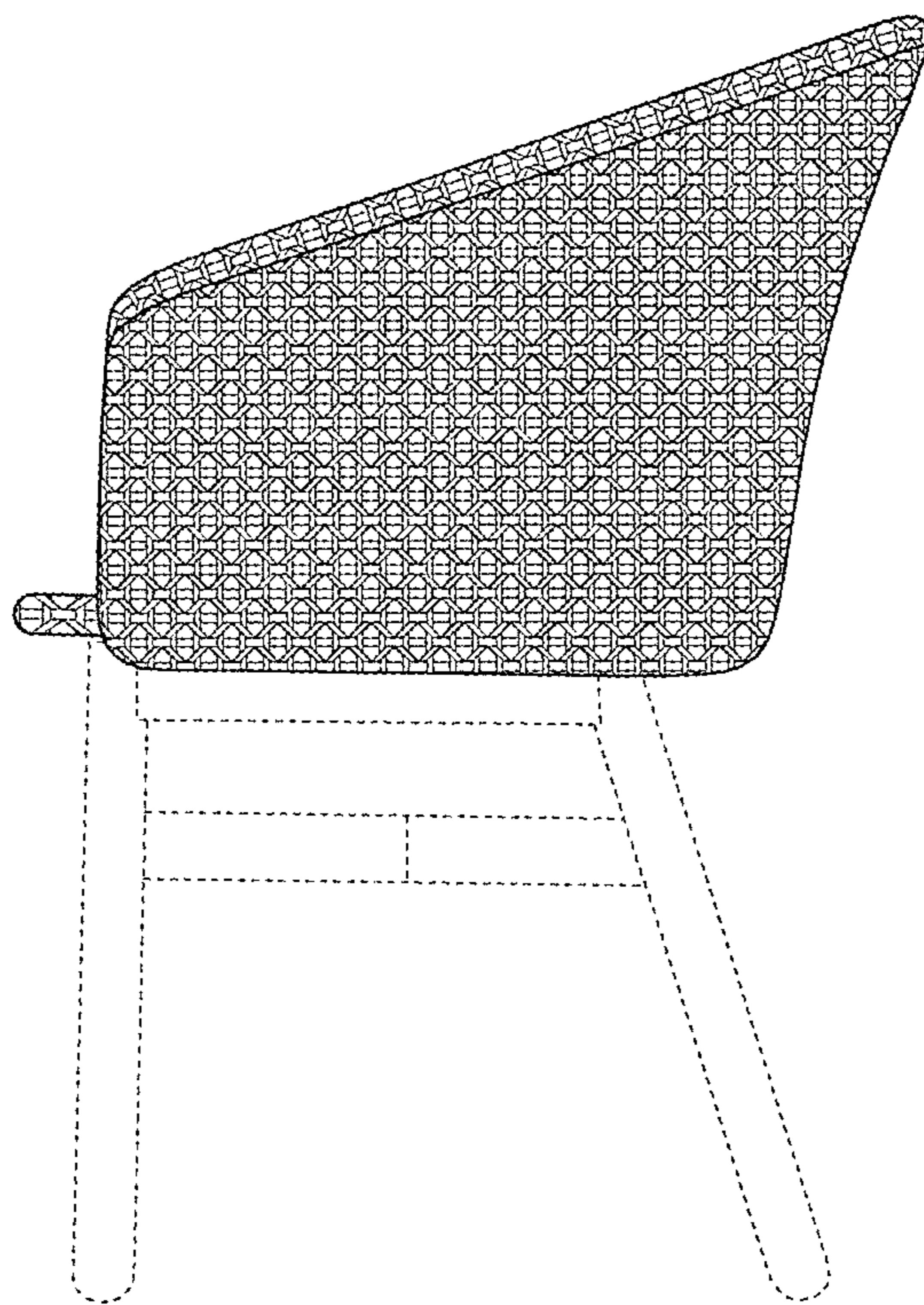


FIG. 3

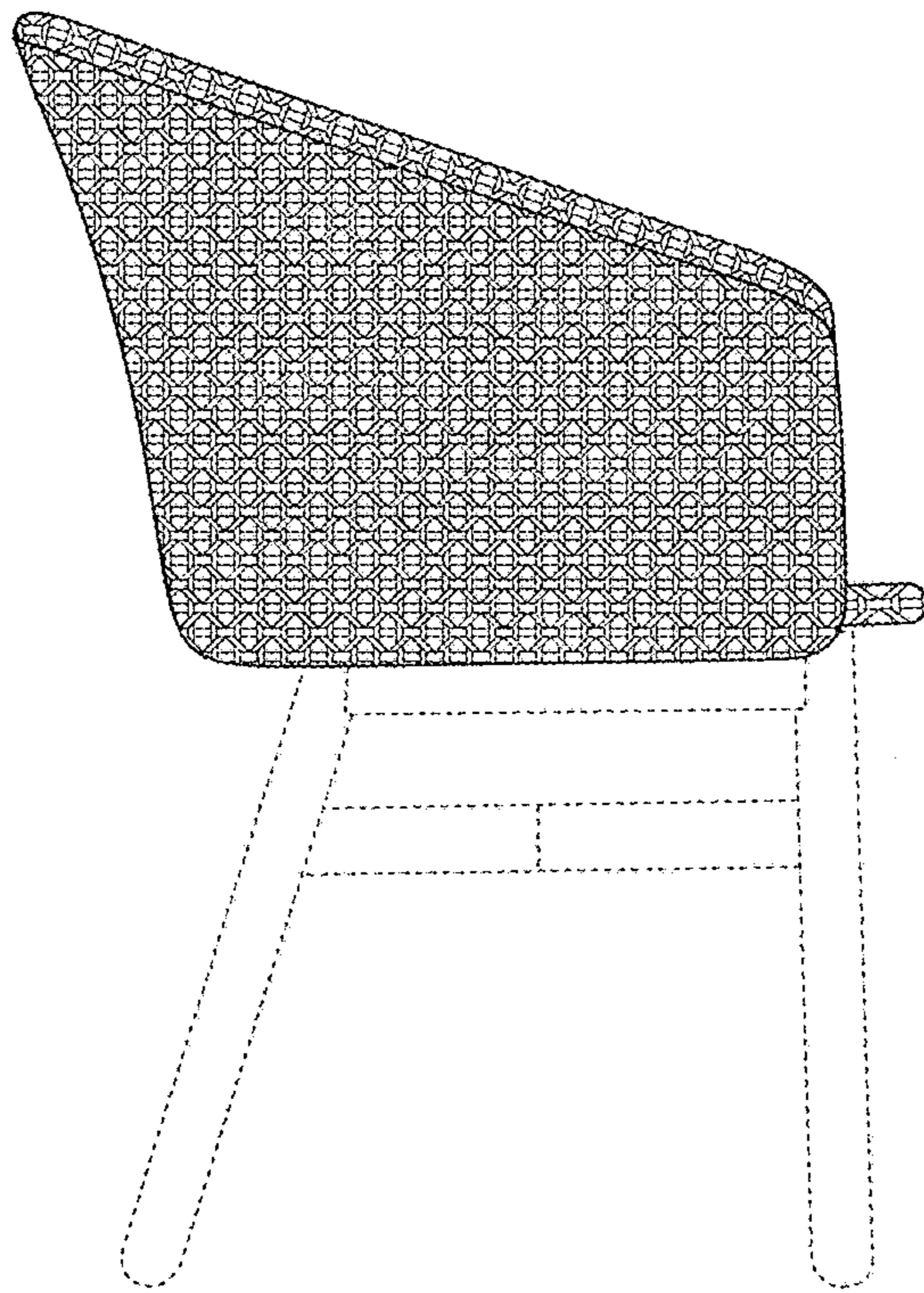


FIG. 4

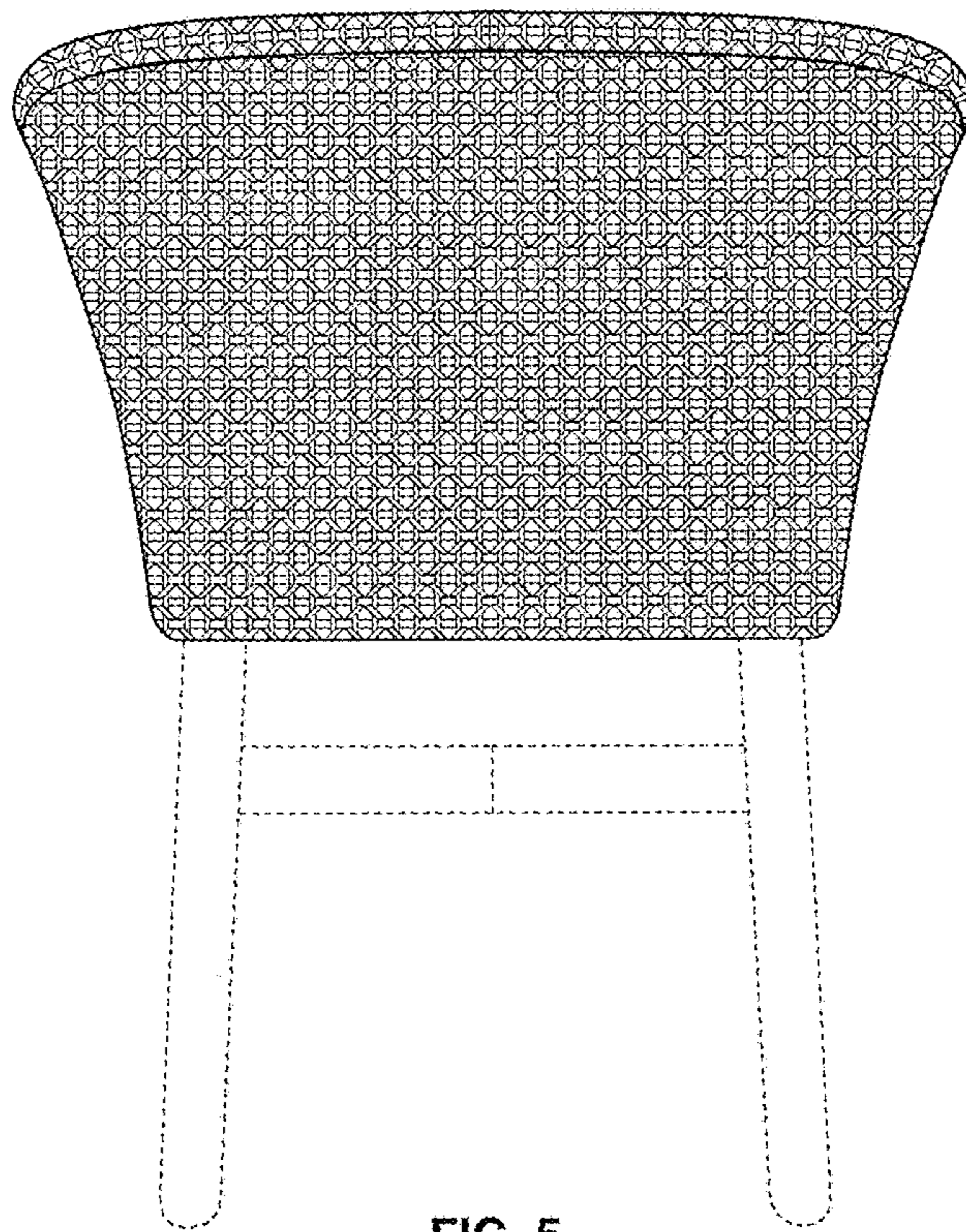


FIG. 5

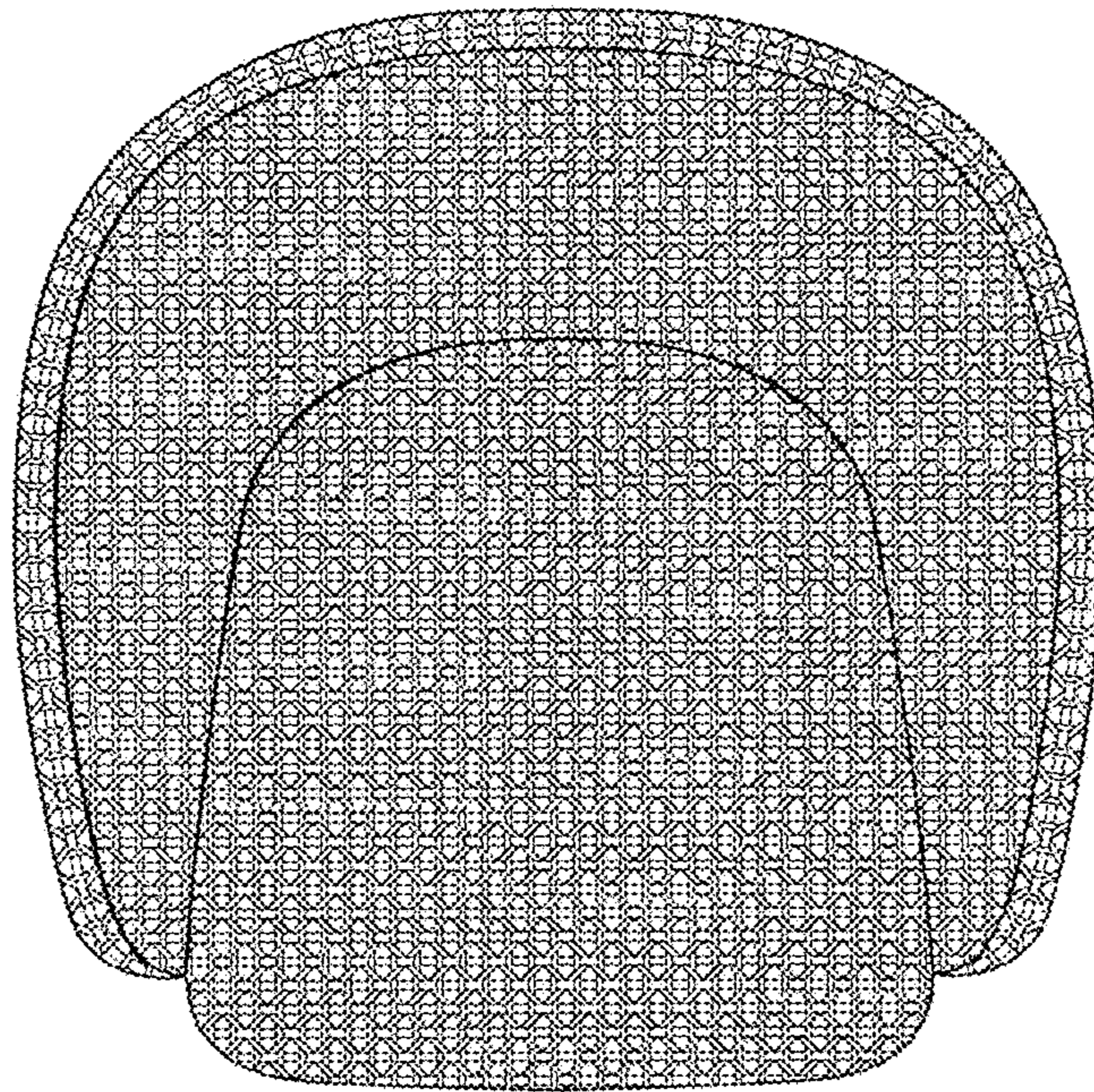


FIG. 6

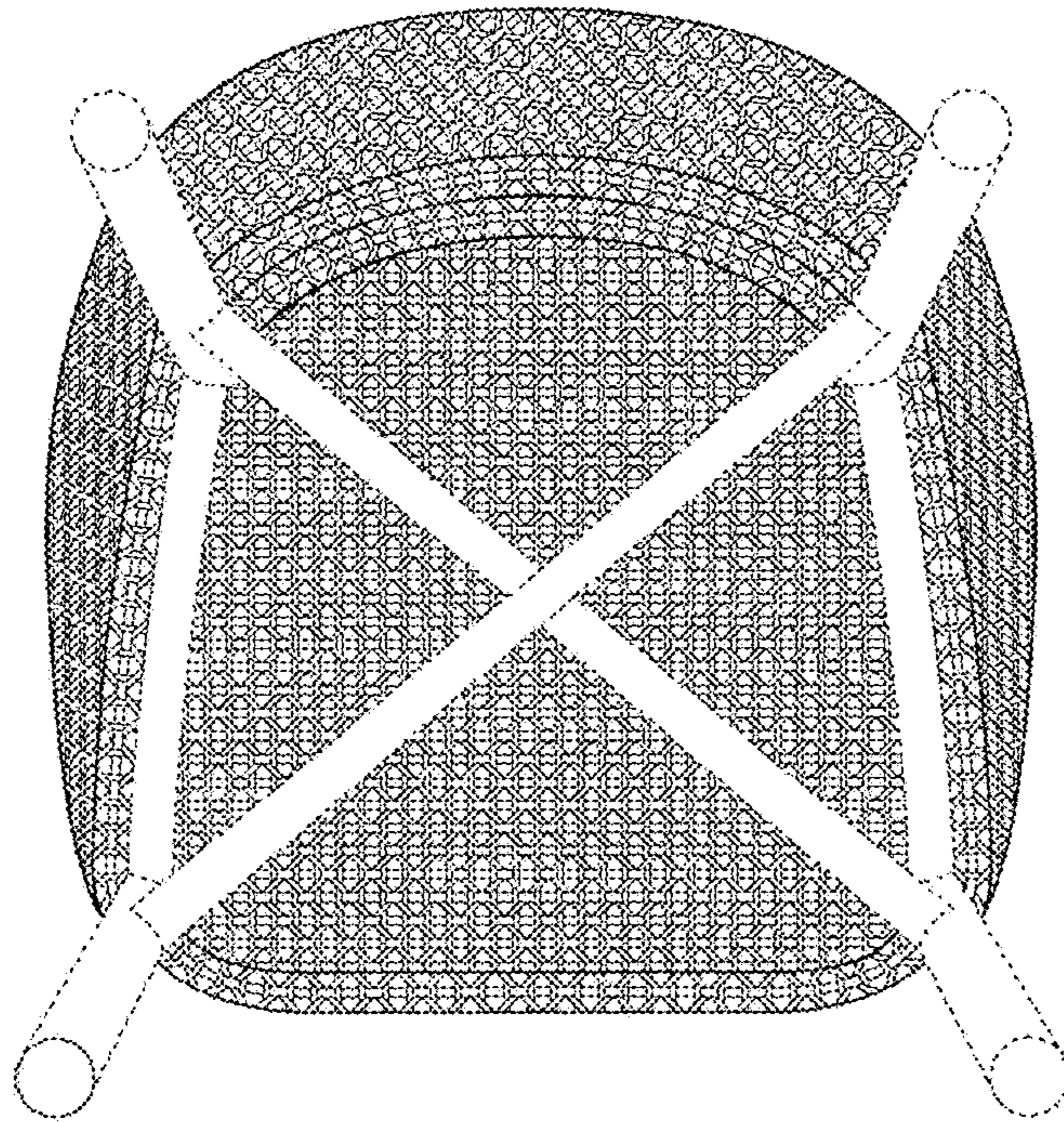


FIG. 7