



US00D842016S

(12) **United States Design Patent** (10) **Patent No.:** **US D842,016 S**
Sorel (45) **Date of Patent:** **** Mar. 5, 2019**

(54) **TABLE**

(71) Applicant: **West Coast Industries, Inc.**, San Francisco, CA (US)
(72) Inventor: **Jess Sorel**, Oakland, CA (US)
(73) Assignee: **WEST COAST INDUSTRIES, INC.**, San Francisco, CA (US)
(**) Term: **15 Years**
(21) Appl. No.: **29/665,826**
(22) Filed: **Oct. 8, 2018**

(56) **References Cited**

U.S. PATENT DOCUMENTS

| | | | |
|----------------|---------|---------------|-----------|
| D153,909 S * | 5/1949 | Wais | 108/91 |
| D242,587 S * | 12/1976 | Sklaroff | D6/656.15 |
| D290,072 S * | 6/1987 | Winzeler, III | D6/691.4 |
| D507,131 S * | 7/2005 | Pingel | D6/699.5 |
| D644,456 S * | 9/2011 | Martin | D6/690 |
| D659,426 S * | 5/2012 | Arko | D6/700 |
| D731,216 S * | 6/2015 | Sorel | D6/690 |
| D773,201 S * | 12/2016 | Cardell | D6/406.1 |
| D782,229 S * | 3/2017 | Merritt | D6/691 |
| D795,616 S * | 8/2017 | Muller | D6/695 |
| 9,826,825 B1 * | 11/2017 | Jones | A47B 9/00 |
| D819,998 S * | 6/2018 | Siebert | D6/372 |

* cited by examiner

Primary Examiner — Mary Ann Calabrese

Assistant Examiner — Catherine Ho

(74) *Attorney, Agent, or Firm* — Dergosits & Noah LLP; Todd A. Noah

Related U.S. Application Data

(62) Division of application No. 29/614,273, filed on Aug. 17, 2017, now Pat. No. Des. 836,368.

(51) **LOC (11) Cl.** **06-03**

(52) **U.S. Cl.**
USPC **D6/694**

(58) **Field of Classification Search**
USPC D6/671, 672, 675, 686, 687, 688.26, D6/688.27, 691, 691.1, 691.3, 691.4, D6/691.6, 691.8, 691.9, 693, 694, 695, D6/695.1, 696, 696.1, 696.3, 697, 702, D6/707.15, 708, 708.17, 709, 710
CPC A47B 13/06; A47B 2013/026; A47B 1/08; A47B 2003/0821; A47B 3/087; A47B 3/0911; A47B 3/0918

See application file for complete search history.

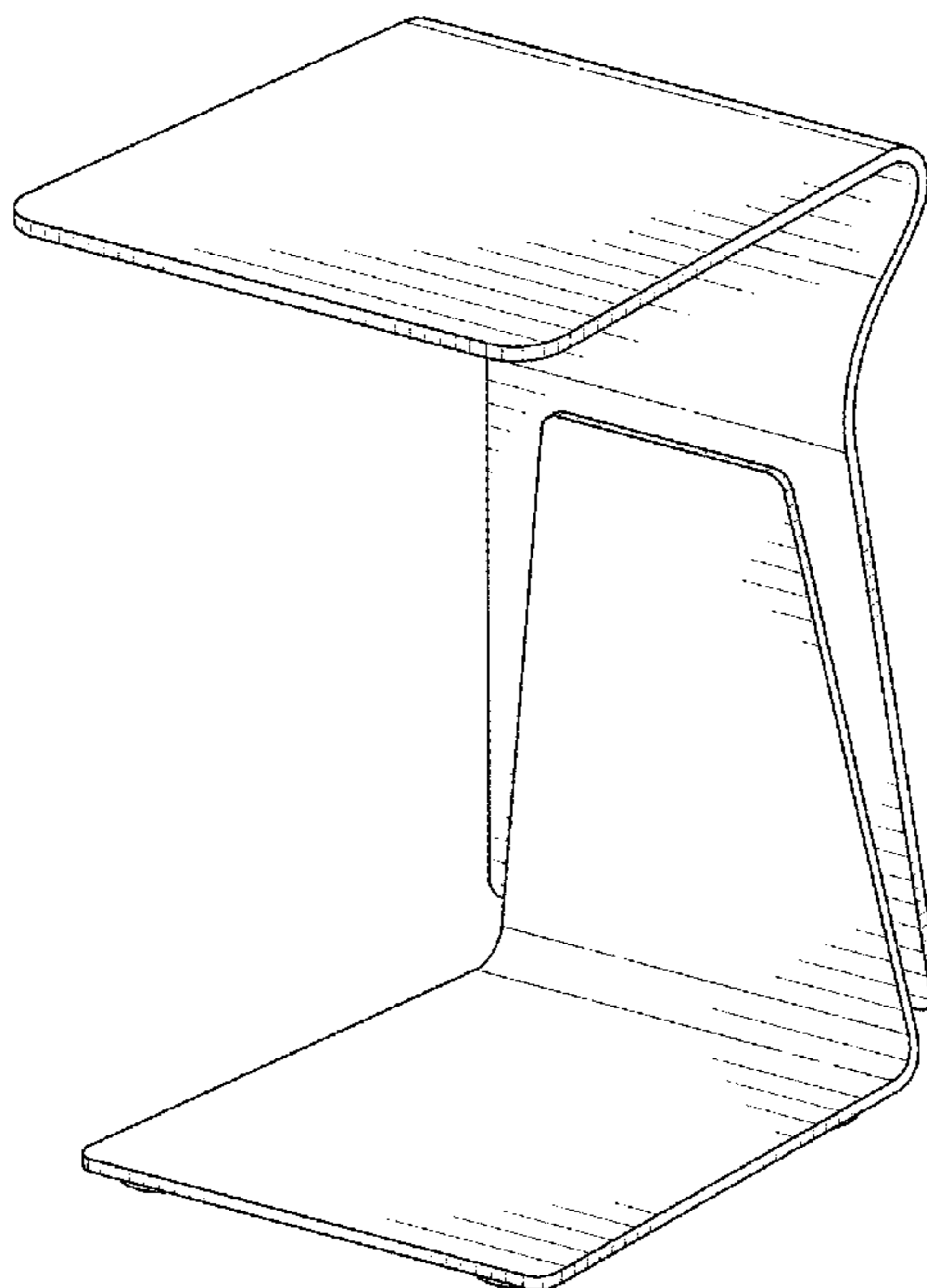
(57) **CLAIM**

I claim the ornamental design for a table, as shown and described.

DESCRIPTION

FIG. 1 is a front perspective view of the table;
FIG. 2 is a back prospective view thereof;
FIG. 3 is a front elevational view thereof;
FIG. 4 is a back elevational view thereof;
FIG. 5 is a side elevational view thereof;
FIG. 6 is a top view thereof; and,
FIG. 7 is a bottom view thereof.

1 Claim, 7 Drawing Sheets



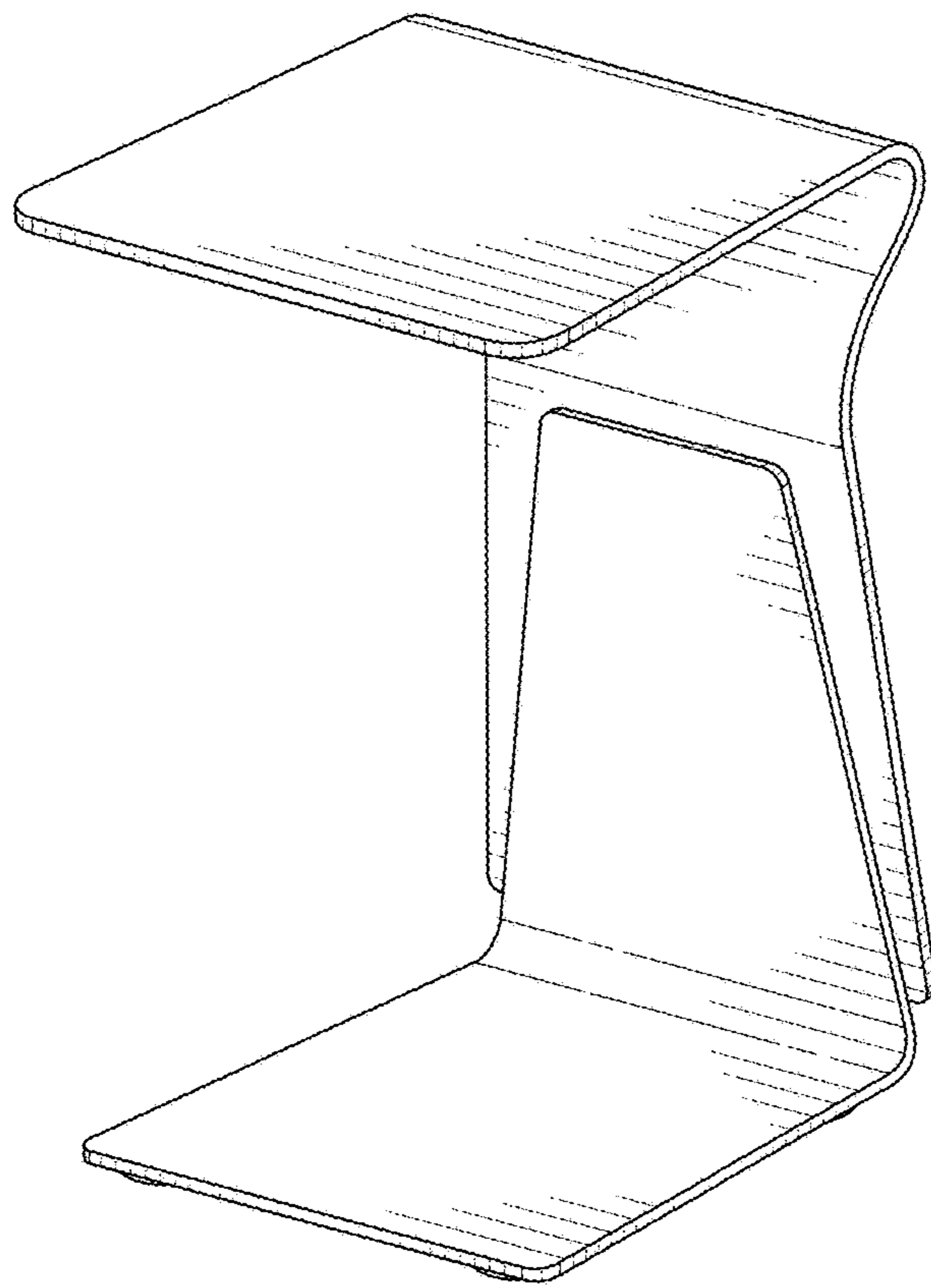


FIG. 1

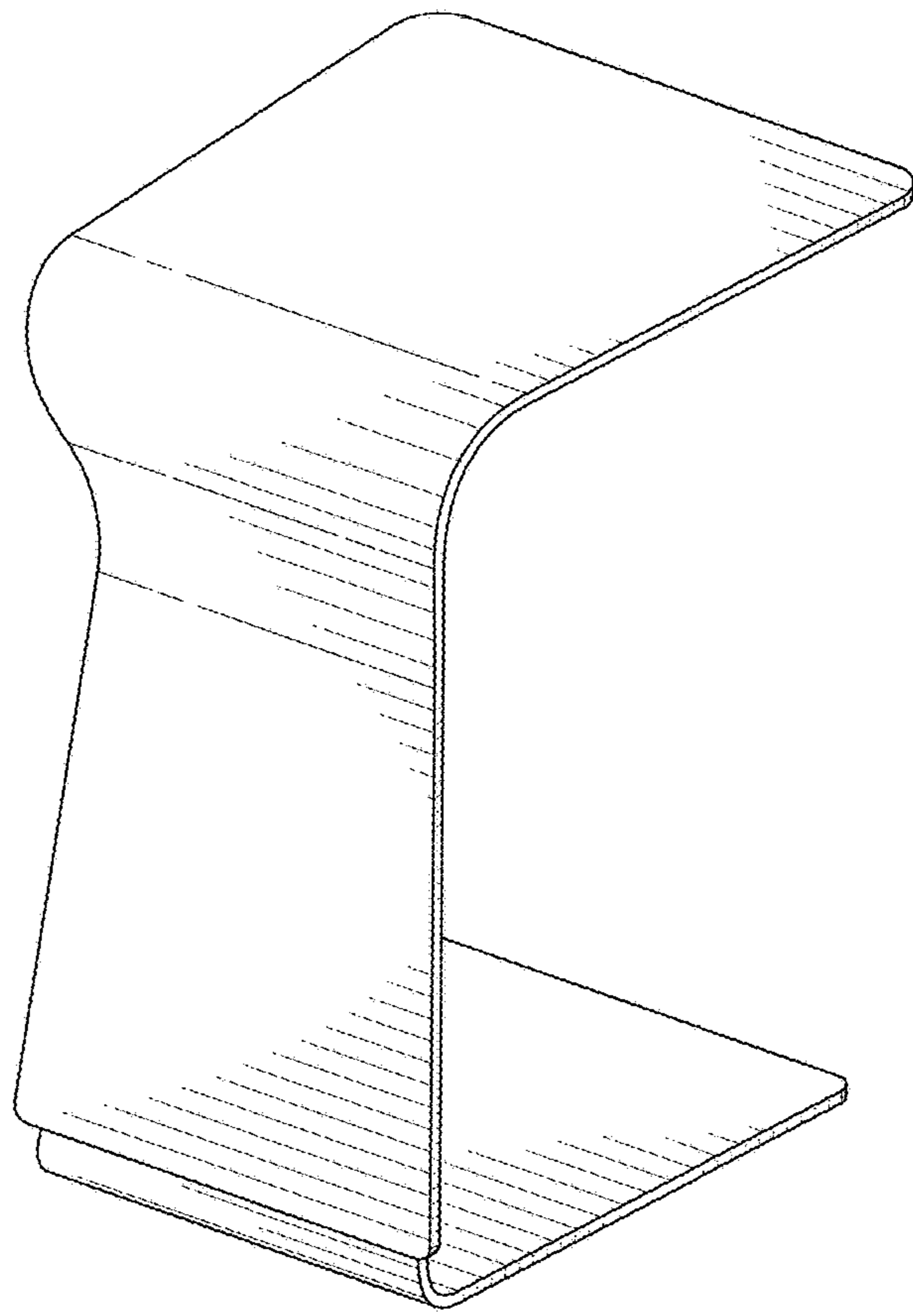


FIG. 2

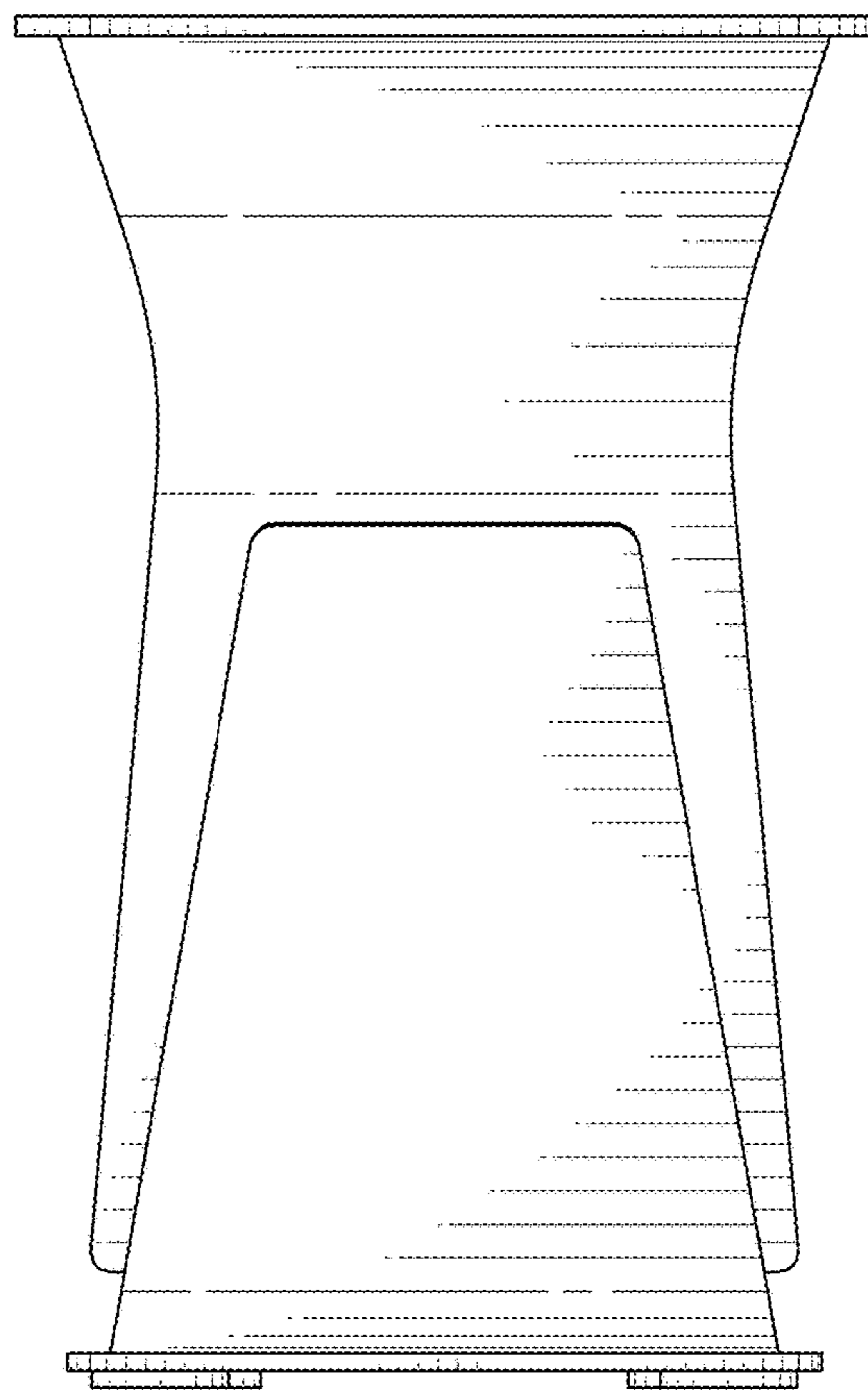


FIG. 3

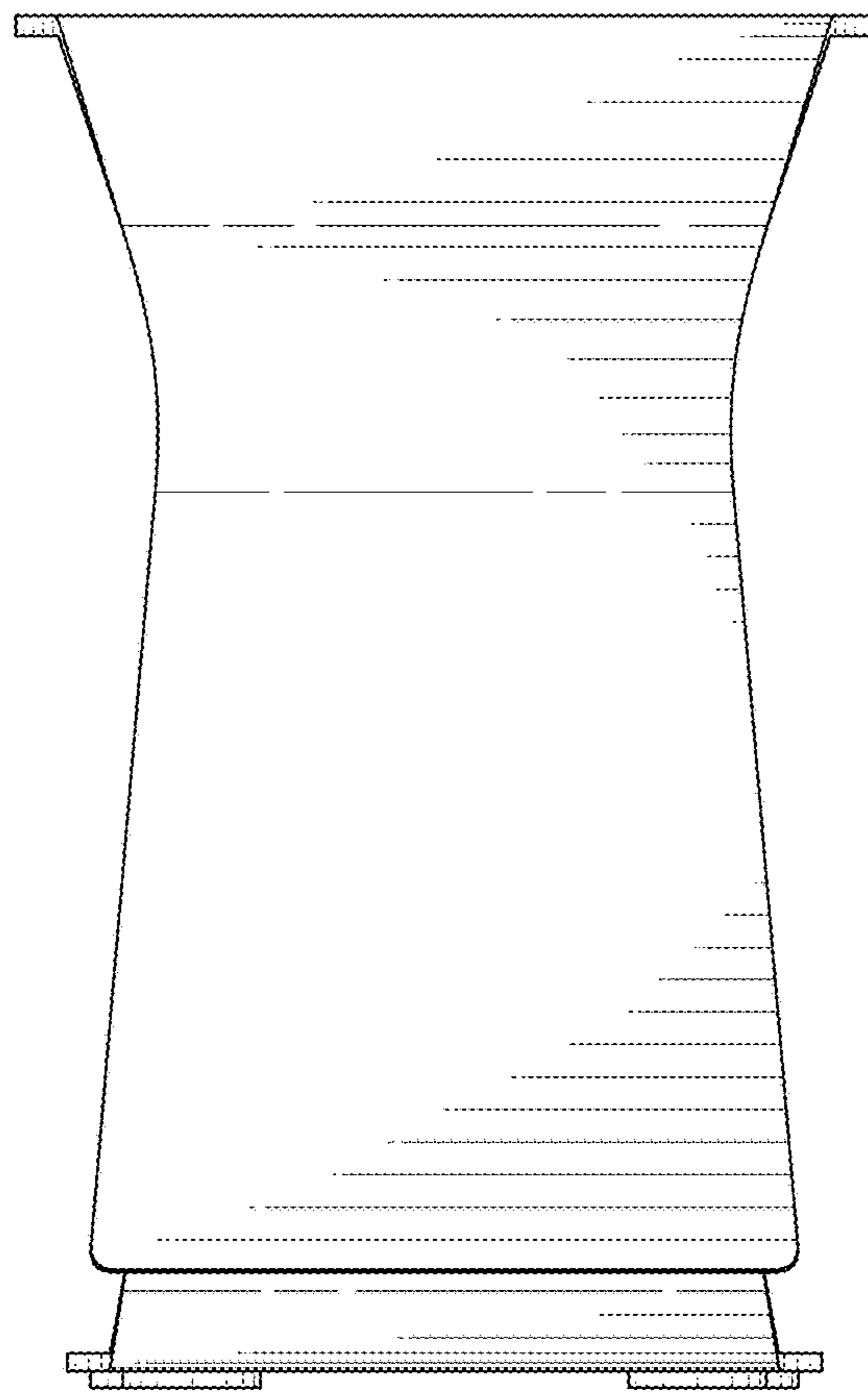


FIG. 4

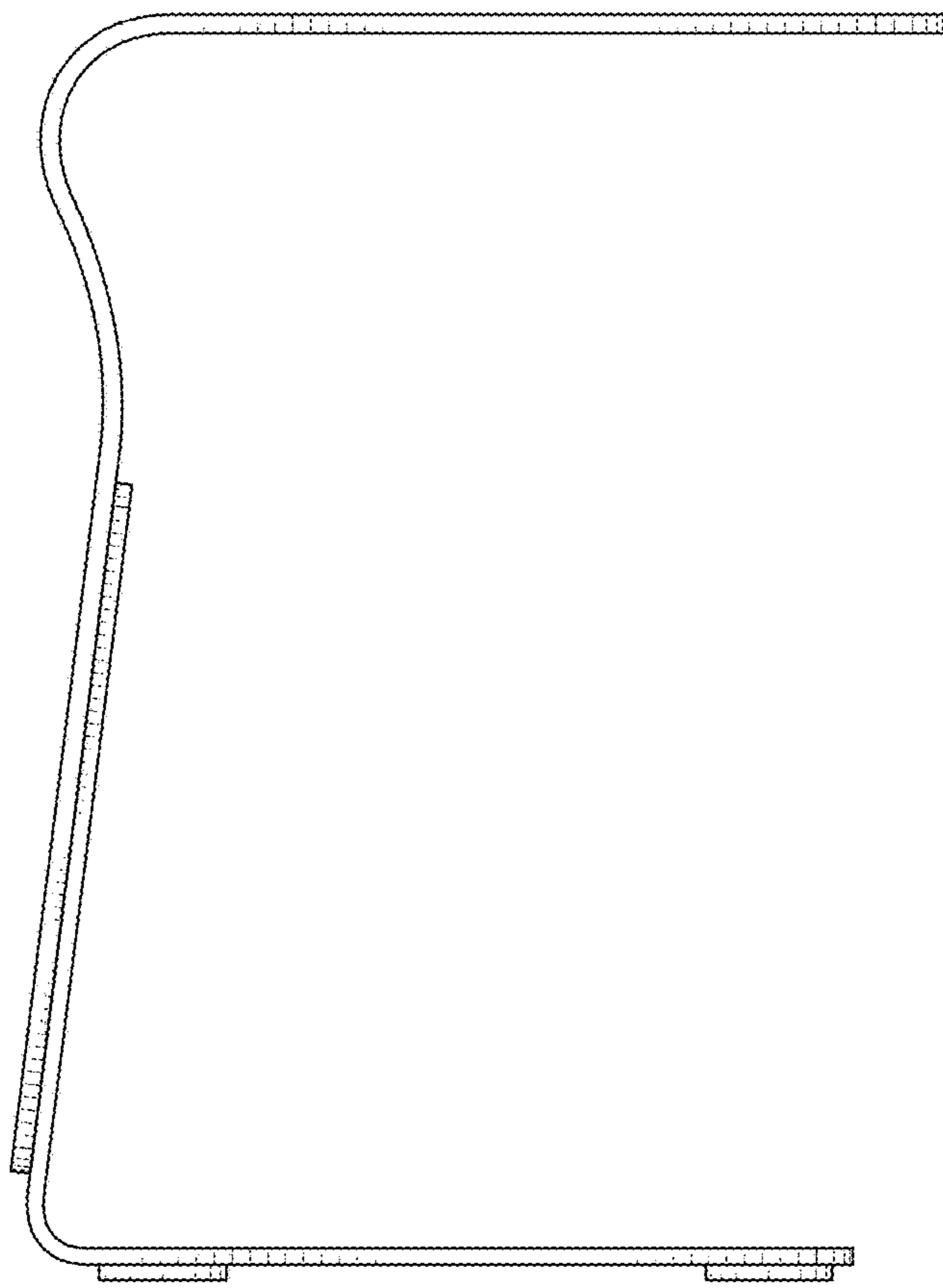


FIG. 5

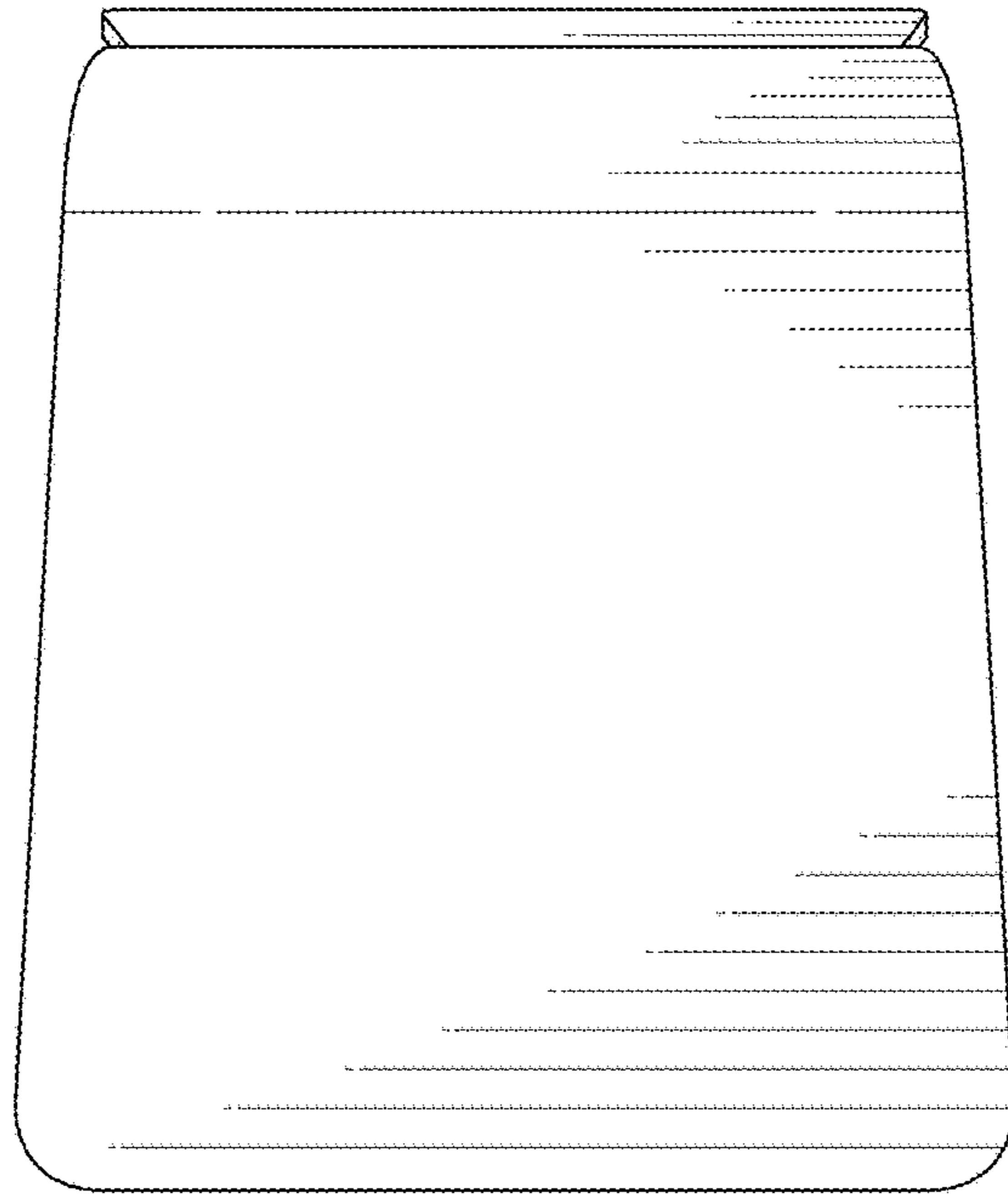


FIG. 6

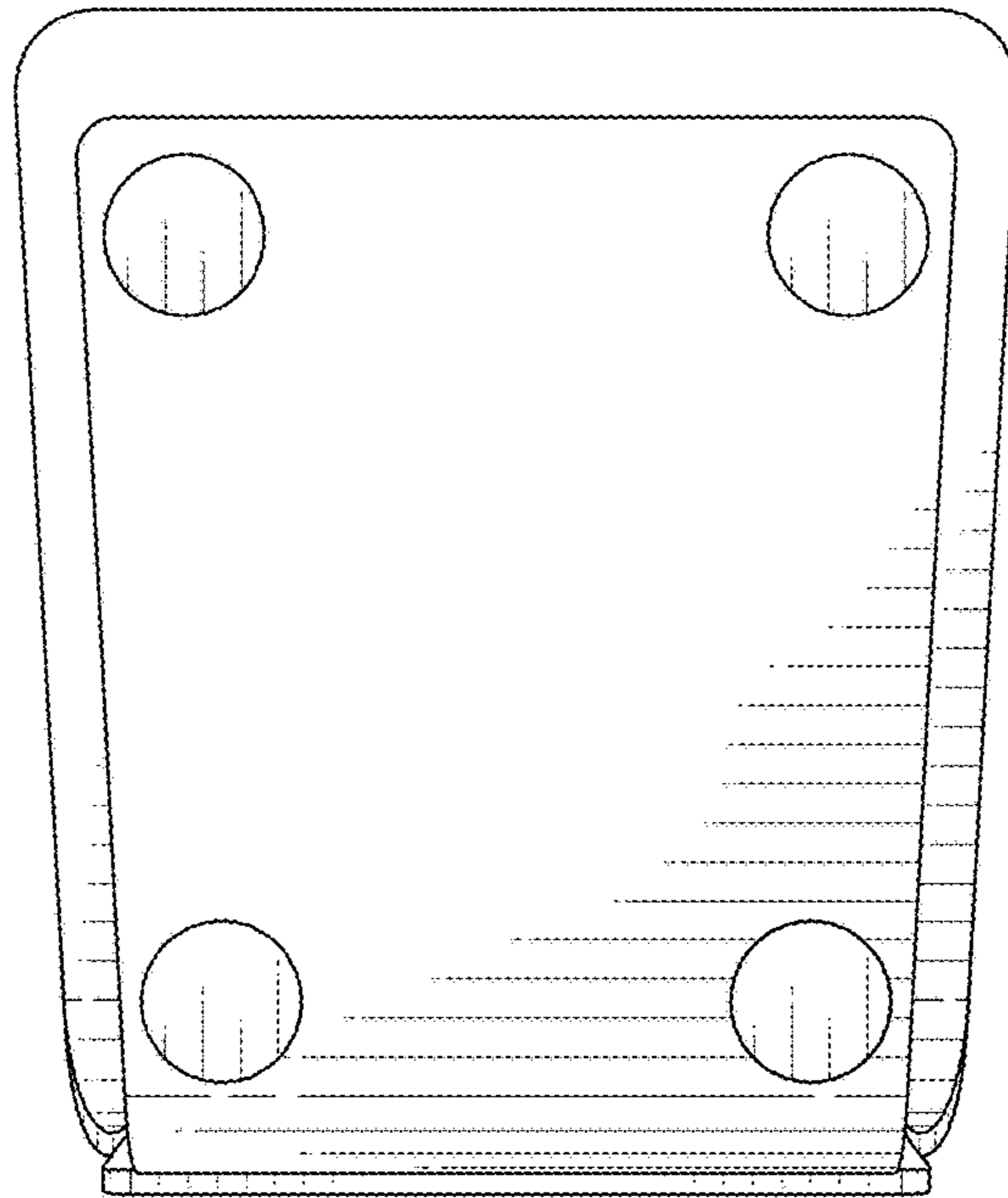


FIG. 7