



US00D842015S

(12) **United States Design Patent**  
**Strempe et al.**

(10) **Patent No.:** **US D842,015 S**  
(45) **Date of Patent:** **\*\* Mar. 5, 2019**

(54) **MOBILE AND COLLAPSIBLE WORKBENCH**

5,351,730 A 10/1994 Lewellen  
5,377,780 A 1/1995 Dunaway  
D357,140 S 4/1995 Hollinger  
5,421,430 A 6/1995 Cox

(71) Applicant: **Kreg Enterprises, Inc.**, Huxley, IA  
(US)

(Continued)

(72) Inventors: **Shelby Lee Strempe**, Huxley, IA  
(US); **Frederick James Good**, Ogden,  
IA (US)

**FOREIGN PATENT DOCUMENTS**

CA 2314044 1/2001  
CA 2508205 6/2004

(73) Assignee: **KREG ENTERPRISES, INC.**, Huxley,  
IA (US)

(Continued)

(\*\*) Term: **15 Years**

*Primary Examiner* — John Windmuller

*Assistant Examiner* — Steven J Cxyz

(21) Appl. No.: **29/584,702**

(74) *Attorney, Agent, or Firm* — Christopher A. Proskey;  
BrownWinick Law Firm

(22) Filed: **Nov. 16, 2016**

(57) **CLAIM**

(51) **LOC (11) Cl.** ..... **06-03**

The ornamental design for a mobile and collapsible work-  
bench, as shown and described.

(52) **U.S. Cl.**

**DESCRIPTION**

USPC ..... **D6/684**

(58) **Field of Classification Search**

USPC ..... D6/672, 673, 675, 684, 691.1; D25/67,  
D25/68

CPC ..... B25H 1/00; B25H 1/02; B25H 1/0042;  
B25H 1/04; B25H 1/08; B25H 1/10;  
B25H 1/12; B25H 1/14

See application file for complete search history.

FIG. 1 is a perspective view of a mobile and collapsible  
workbench, shown in an open state;  
FIG. 2 is a front elevation view of thereof;  
FIG. 3 is a rear elevation view of thereof;  
FIG. 4 is a left side elevation view thereof;  
FIG. 5 is a right side elevation view thereof;  
FIG. 6 is a top elevation view thereof;  
FIG. 7 is a bottom elevation view thereof;  
FIG. 8 is a perspective view of the mobile and collapsible  
workbench, shown in a collapsed state;  
FIG. 9 is a front elevation view thereof,  
FIG. 10 is a rear elevation view thereof;  
FIG. 11 is a left side elevation view thereof;  
FIG. 12 is a right side elevation view thereof;  
FIG. 13 is a top elevation view thereof; and,  
FIG. 14 is a bottom elevation view thereof.

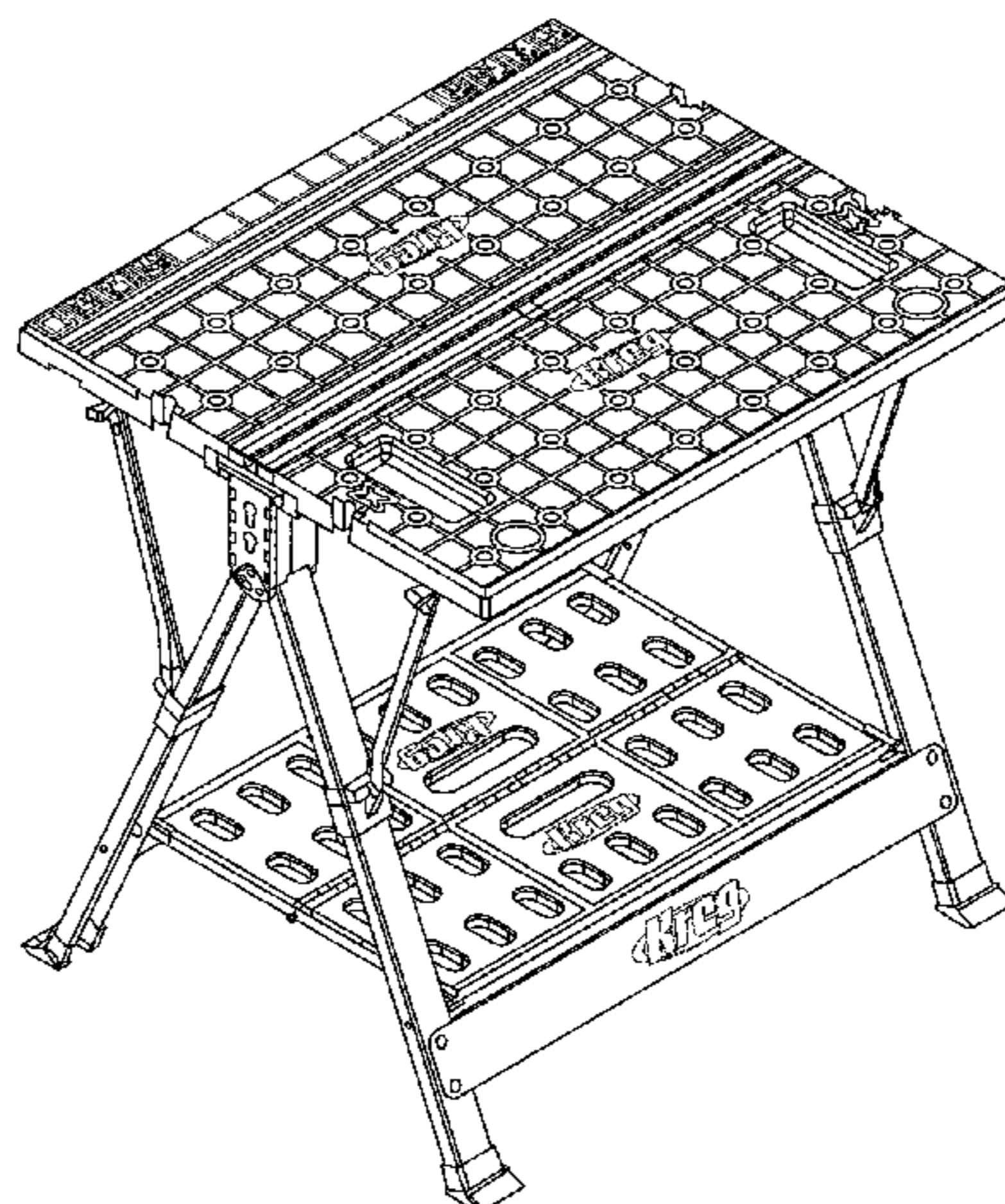
(56) **References Cited**

**U.S. PATENT DOCUMENTS**

379,236 A 3/1888 McCastline  
380,558 A 4/1888 Eaton  
399,977 A 3/1889 Davis  
409,764 A 8/1889 Woods  
425,210 A 4/1890 Cobb  
D279,736 S 7/1985 Zastera  
5,052,308 A \* 10/1991 Brown ..... A47B 3/02  
108/115  
5,246,085 A \* 9/1993 Liegel ..... E04G 1/34  
182/113  
5,305,850 A 4/1994 McQuiston

A mobile and collapsible workbench. The broken lines  
depict portions of the article that form no part of the claimed  
design.

**1 Claim, 14 Drawing Sheets**



(56)

References Cited

U.S. PATENT DOCUMENTS

D361,216 S	8/1995	Lewellen		7,458,403 B2	12/2008	Radermacher	
5,439,073 A	8/1995	Johnson		D584,421 S	1/2009	Wise	
5,467,842 A	11/1995	Meloy		7,588,255 B2	9/2009	Katz	
5,560,449 A	10/1996	Smith		D604,864 S	11/2009	Jansson	
5,582,267 A	12/1996	Bockoven		7,628,186 B2 *	12/2009	Blum .....	B25H 1/08 108/115
5,584,254 A	12/1996	Williams		D620,286 S *	7/2010	Carmon .....	D6/691
D379,236 S	5/1997	Sheftel		D638,140 S	5/2011	Busschaert	
5,626,321 A	5/1997	Ulshafer, Jr.		D638,141 S	5/2011	Busschaert	
D380,558 S	7/1997	Calvin		D643,229 S *	8/2011	Rosenfeld .....	D6/684
5,647,455 A	7/1997	Russell		8,016,079 B1	9/2011	Huls	
D392,746 S	3/1998	Dickinson		8,042,794 B2 *	10/2011	Marshall .....	B25H 1/04 269/136
5,758,744 A	6/1998	Forino		D648,443 S	11/2011	Busschaert	
5,813,495 A	9/1998	Smith		8,113,316 B2 *	2/2012	Sward .....	G01N 33/497 108/62
D399,977 S	10/1998	Laga		8,267,017 B1	9/2012	Michael	
5,868,185 A	2/1999	Poling		D681,851 S	5/2013	Zidek	
5,875,828 A	3/1999	Quiram		8,439,164 B1	5/2013	Esposito	
5,884,681 A	3/1999	Nickles		8,439,165 B2	5/2013	Busschaert	
D409,764 S	5/1999	Laga		D688,388 S	8/2013	Ardoin	
5,904,225 A	5/1999	Patros		D688,901 S	9/2013	Colson	
5,921,347 A	7/1999	Rodriguez		8,528,489 B2 *	9/2013	Roy .....	A47B 3/08 108/125
5,924,684 A *	7/1999	Cheng .....	B25H 1/04 269/139	8,584,601 B1	11/2013	Deschner	
5,927,436 A	7/1999	Schutz		8,684,052 B2	4/2014	Breitenbach	
5,954,156 A	9/1999	Cooke		D704,858 S	5/2014	Green	
6,019,193 A	2/2000	Brown		D708,351 S	7/2014	Ken-Dror	
6,021,866 A	2/2000	Meeks		D709,626 S	7/2014	Wise	
6,029,721 A	2/2000	O'Banion		D721,442 S	1/2015	Wang	
D425,105 S	5/2000	Dupau		8,931,529 B2	1/2015	Fregeau	
6,059,071 A	5/2000	Appezzato		D729,555 S	5/2015	Saigauvker	
6,113,088 A	9/2000	Gakhar		9,140,401 B2	9/2015	Hoyle	
D432,670 S	10/2000	Horrell		9,186,736 B1	11/2015	Chang	
6,155,318 A	12/2000	Underwood		9,347,229 B2	5/2016	Ken-Dror	
6,173,660 B1	1/2001	Emmert		9,357,842 B2 *	6/2016	Gu .....	A47B 85/06
6,199,608 B1	3/2001	Ayala		9,505,121 B2	11/2016	Pearson	
D448,200 S *	9/2001	Sagol .....	D15/127	9,515,267 B2	12/2016	Michael	
6,283,250 B1	9/2001	Asher		D779,860 S *	2/2017	Siao .....	D6/684
6,286,824 B1 *	9/2001	Sagol .....	B25H 1/04 269/900	D781,083 S *	3/2017	Zhu .....	D6/684
D448,948 S *	10/2001	Wolff .....	D6/684	9,682,470 B2 *	6/2017	Helm .....	B25H 1/04
6,298,946 B1	10/2001	Yemini		2002/0011381 A1	1/2002	Wilkerson	
6,305,498 B1	10/2001	Itzkovitch		2002/0038741 A1	4/2002	Krajec	
6,422,343 B1	7/2002	Berg		2002/0043432 A1	4/2002	Elwick	
D475,142 S	5/2003	Sommerville		2002/0108481 A1	8/2002	Logan	
6,607,015 B1 *	8/2003	Chen .....	B25H 1/04 108/132	2002/0125072 A1	9/2002	Levy	
6,712,182 B1	3/2004	Baker		2003/0024604 A1	2/2003	Derecktor	
D493,236 S	7/2004	Frey		2003/0079661 A1	5/2003	Luu	
6,769,674 B2 *	8/2004	Chang .....	B25H 1/04 269/139	2004/0124036 A1	7/2004	Ulshafter	
D502,777 S	3/2005	Kempf		2004/0188178 A1	9/2004	Slemmer	
6,899,306 B1	5/2005	Huang		2005/0006002 A1	1/2005	Barclay deTolly	
6,968,790 B1	11/2005	Kocsis		2005/0011421 A1	1/2005	Zhang	
D520,775 S *	5/2006	Liu .....	D15/141	2005/0045422 A1	3/2005	Remmers	
7,036,540 B2	5/2006	Welsh		2005/0167199 A1	8/2005	Kempf	
7,140,409 B2	11/2006	Leberfinger		2005/0224291 A1	10/2005	Fasanella	
D535,490 S	1/2007	Wise		2005/0230188 A1	10/2005	Berg	
D535,491 S	1/2007	Wise		2006/0124395 A1	6/2006	Fisher	
D536,800 S	2/2007	Kyle		2006/0130715 A1	6/2006	Yoo	
7,172,053 B2	2/2007	Slavich		2006/0162627 A1	7/2006	Alger	
7,174,838 B2 *	2/2007	Sagol .....	A47B 3/083 108/130	2006/0272744 A1	12/2006	Liu	
D550,476 S	9/2007	Liu		2008/0035427 A1	2/2008	Fowler	
D556,419 S	11/2007	Whiteside		2008/0173498 A1	7/2008	Beyor	
D563,113 S *	3/2008	Snider .....	D6/684	2009/0183948 A1	7/2009	Sciorrotta, Jr.	
D564,250 S *	3/2008	Haimoff .....	D6/684	2009/0242329 A1	10/2009	Krauss	
D564,780 S	3/2008	Reeves		2009/0260921 A1	10/2009	Osborne	
D565,320 S	4/2008	Wenskowski		2010/0012432 A1	1/2010	Noel	
D566,419 S *	4/2008	Naim .....	D6/684	2010/0288585 A1	11/2010	Katz	
D572,937 S	7/2008	Wenskowski		2011/0233000 A1	9/2011	Sutton	
7,415,933 B2 *	8/2008	Sagol .....	A47B 3/02 108/115	2012/0174835 A1	7/2012	Chen	
D577,507 S *	9/2008	Collins .....	D6/684	2013/0075197 A1	3/2013	Peter	
7,441,760 B2 *	10/2008	Zhang .....	B25H 1/04 269/130	2013/0092005 A1	4/2013	Wiker	
				2013/0160894 A1	6/2013	Whalen	
				2013/0285302 A1	10/2013	Helm	
				2014/0232053 A1	8/2014	Lifshitz et al.	
				2015/0075909 A1	3/2015	Walker et al.	
				2016/0101514 A1	4/2016	Moore	
				2016/0107305 A1	4/2016	Reinhart	
				2016/0176040 A1	6/2016	Wysong	
				2016/0221177 A1	7/2016	Reinhart	

(56)

**References Cited**

U.S. PATENT DOCUMENTS

2016/0346912	A1	12/2016	Reinhart
2016/0375574	A1	12/2016	Reinhart
2017/0106527	A1	4/2017	Birnbaum
2017/0173778	A1	6/2017	Reinhart
2017/0252917	A1	9/2017	Williams

FOREIGN PATENT DOCUMENTS

CA	2627812	10/2008
FR	2898474	9/2007
GB	9709119	5/1997
GB	0908747	5/2009
IL	124680	12/2001
WO	2016063285	4/2016
WO	2017009844	1/2017
WO	2017083713	5/2017

\* cited by examiner

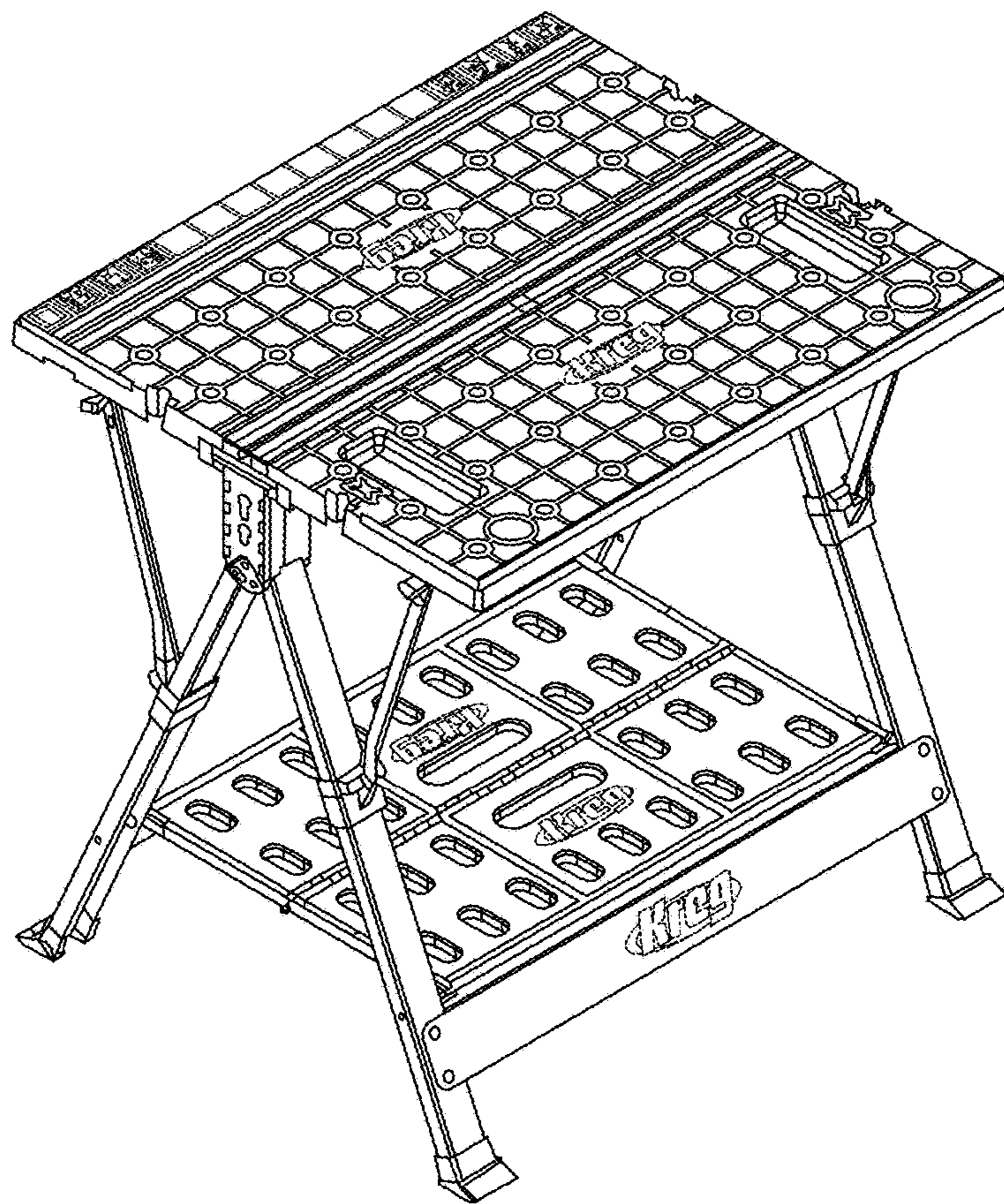


FIG. 1

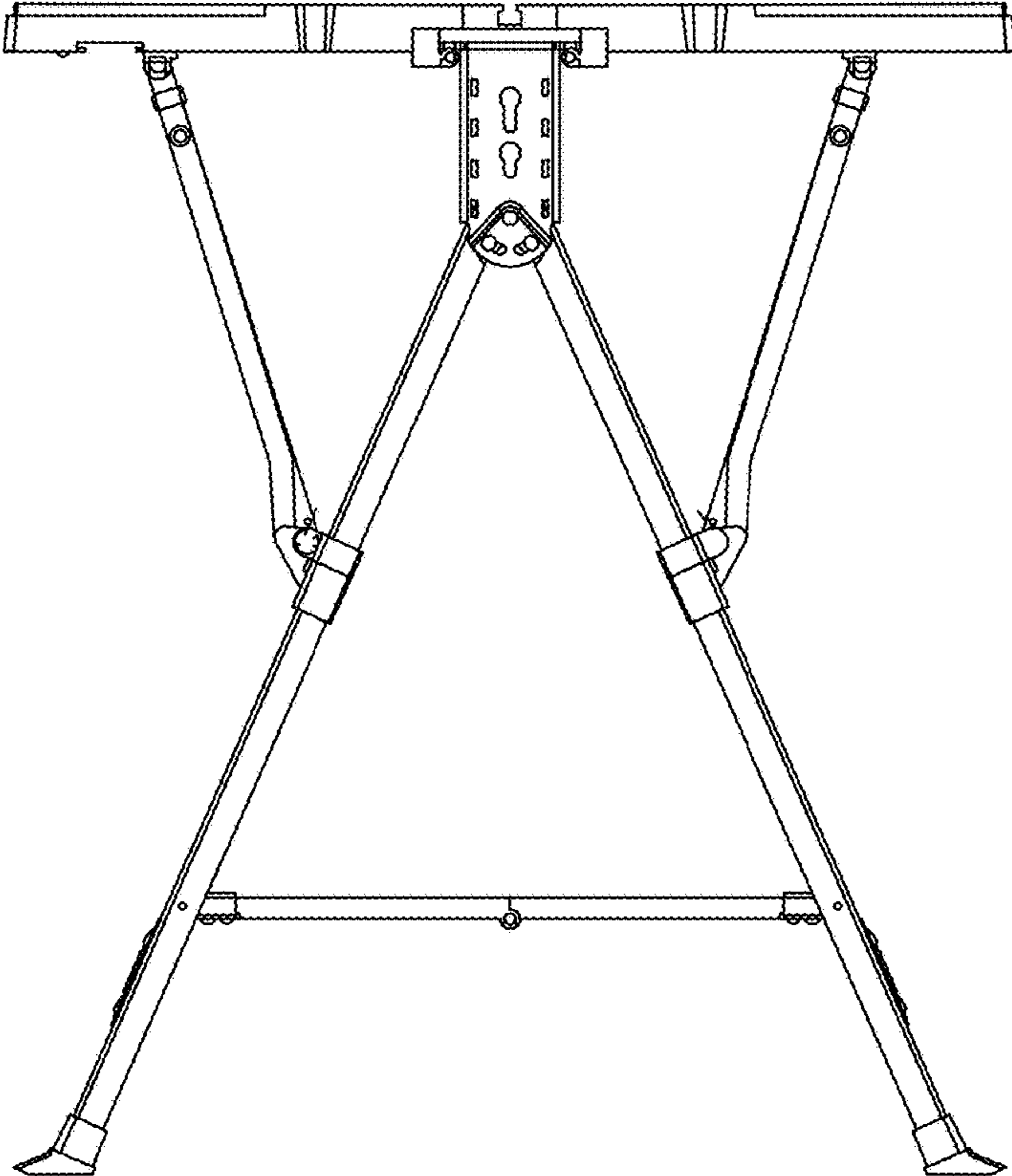


FIG. 2

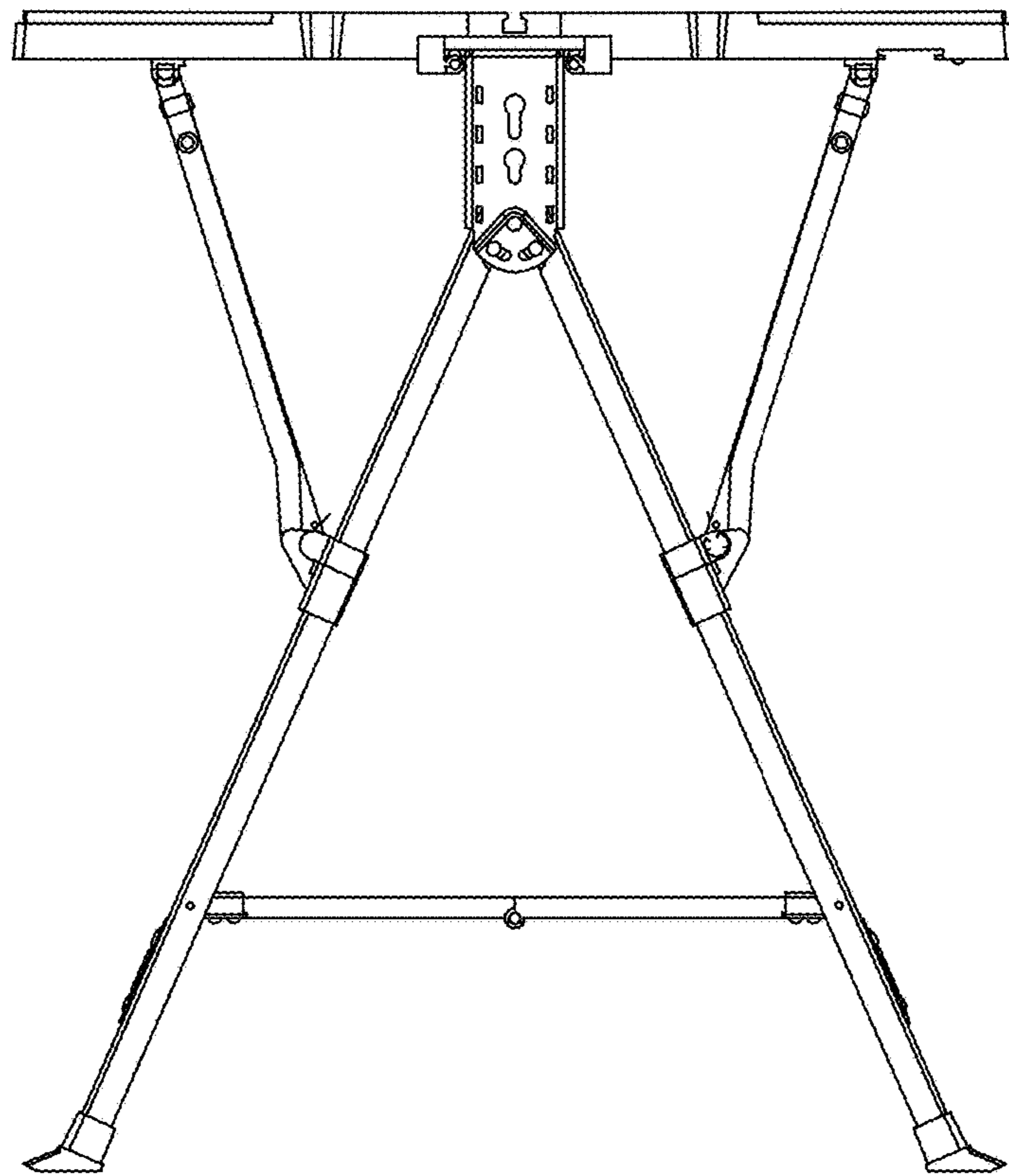


FIG. 3

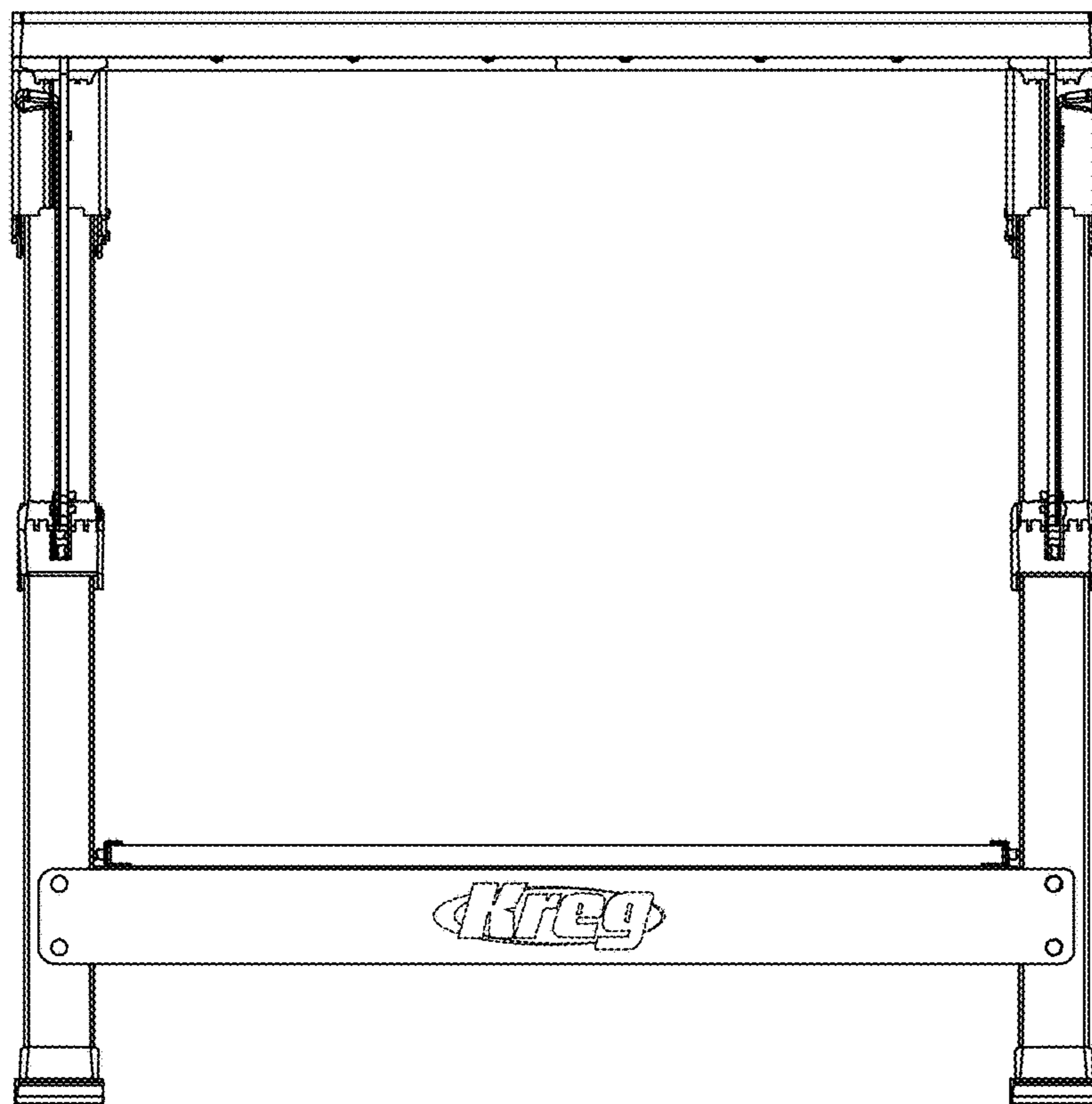


FIG. 4

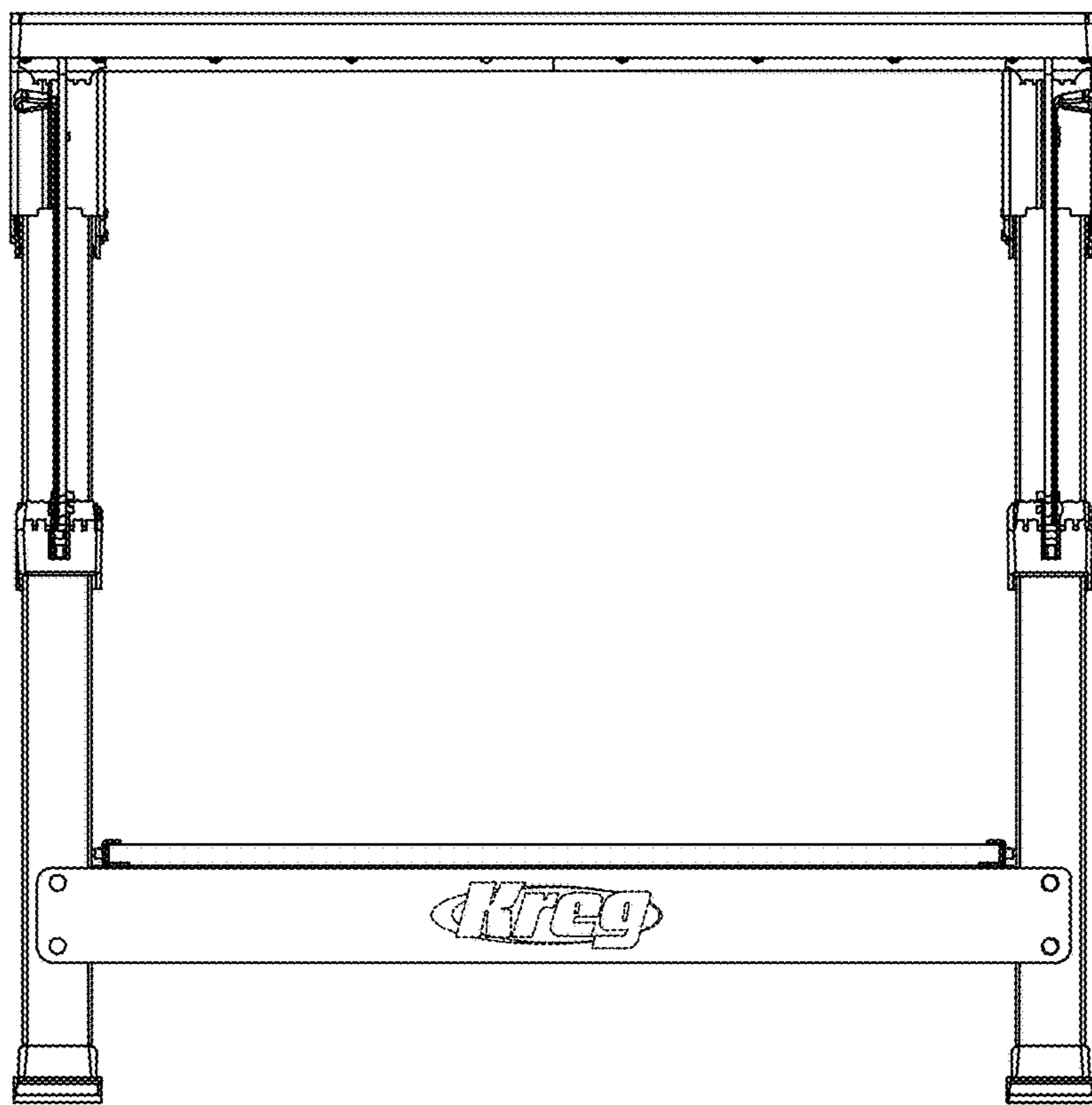


FIG. 5



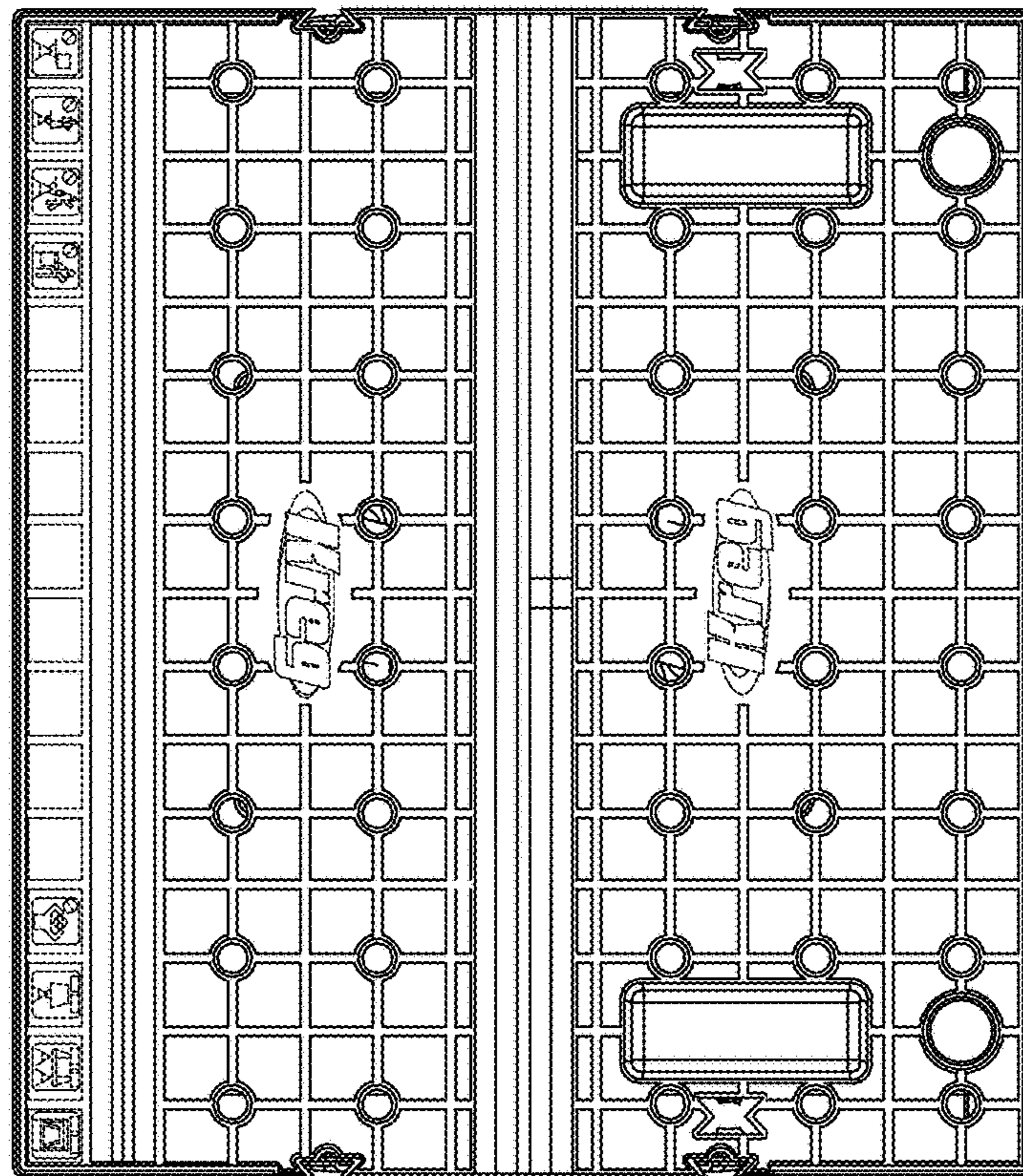


FIG. 6

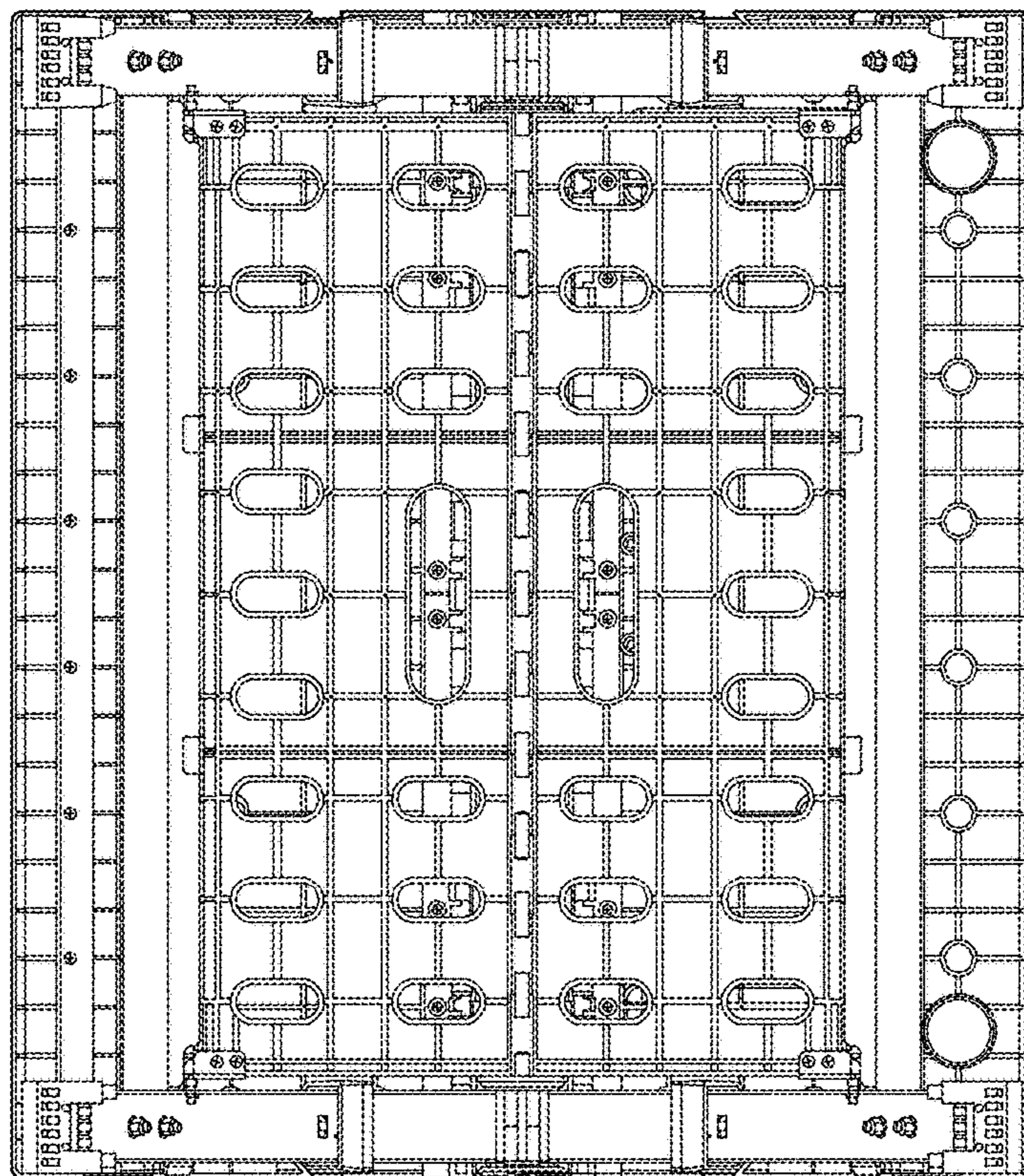


FIG. 7

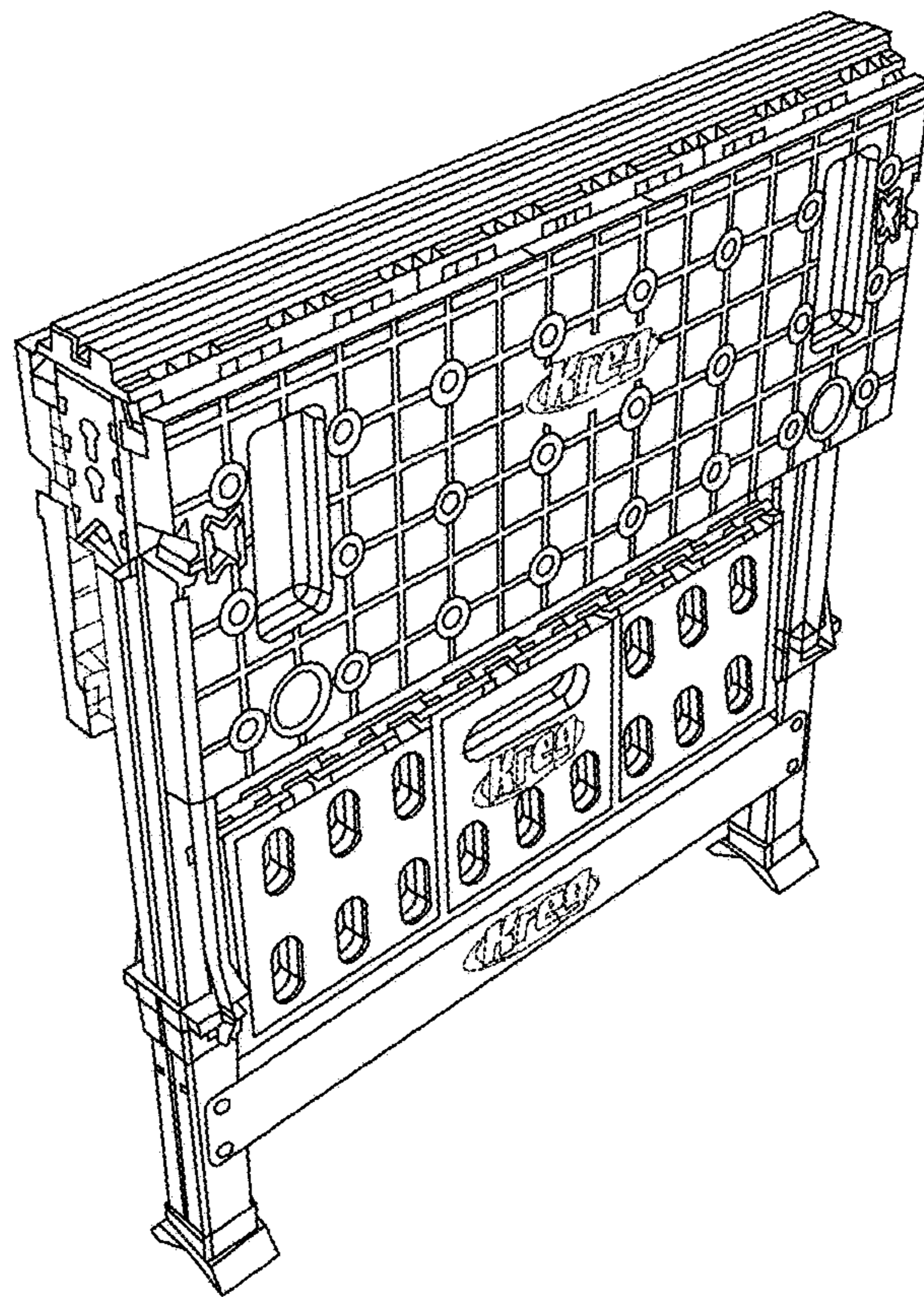


FIG. 8

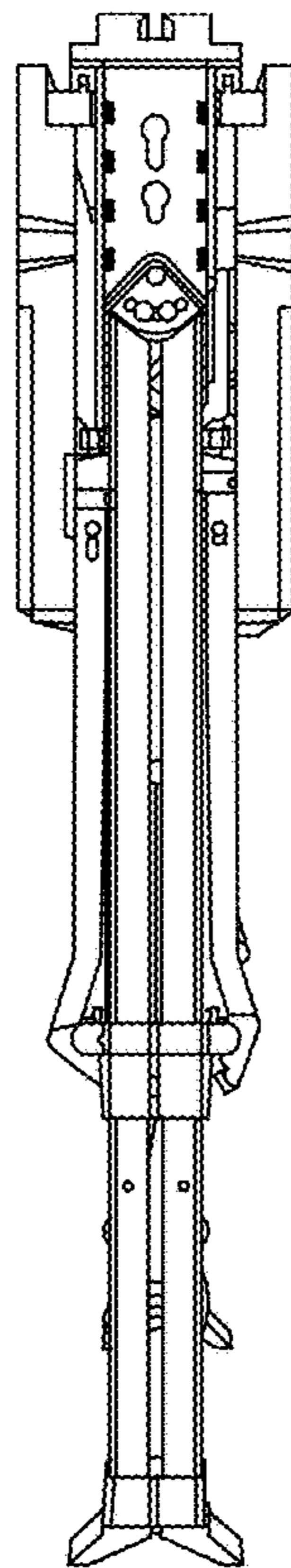


FIG. 9

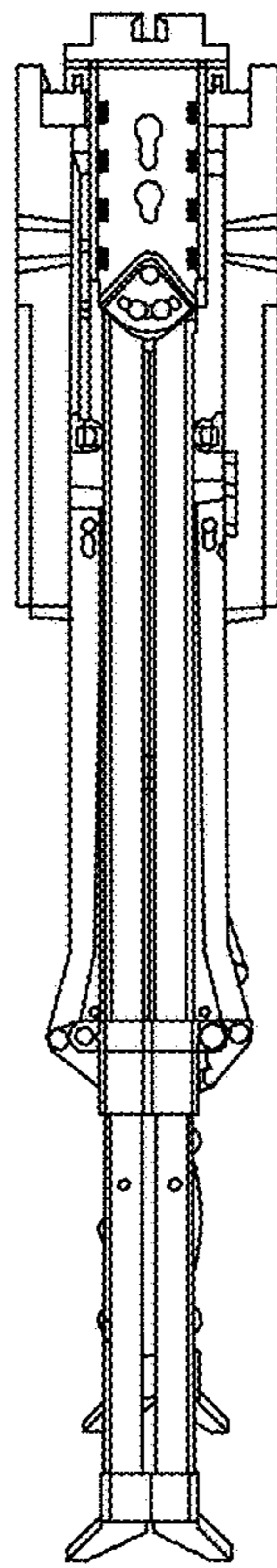


FIG. 10

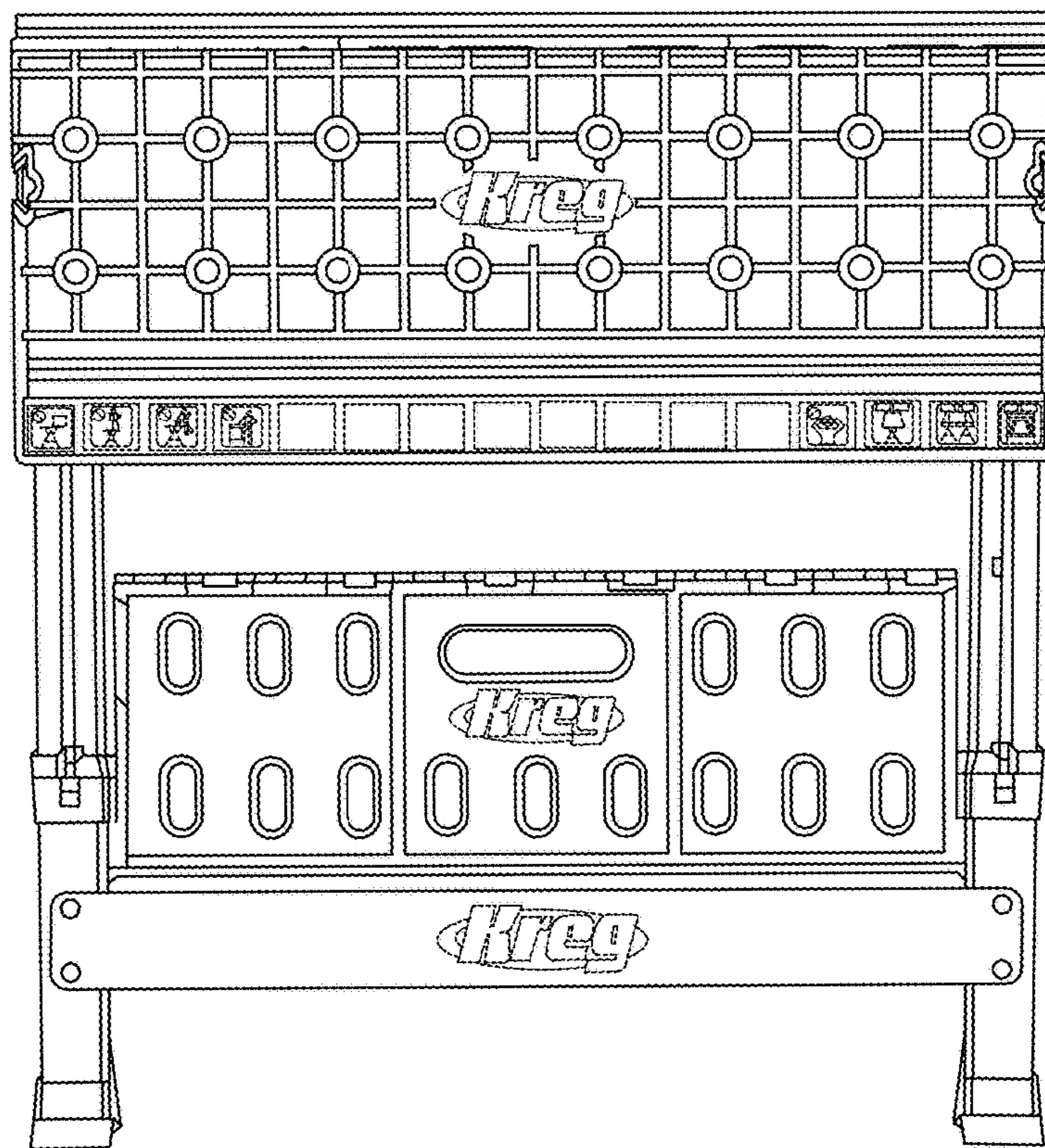


FIG. 11

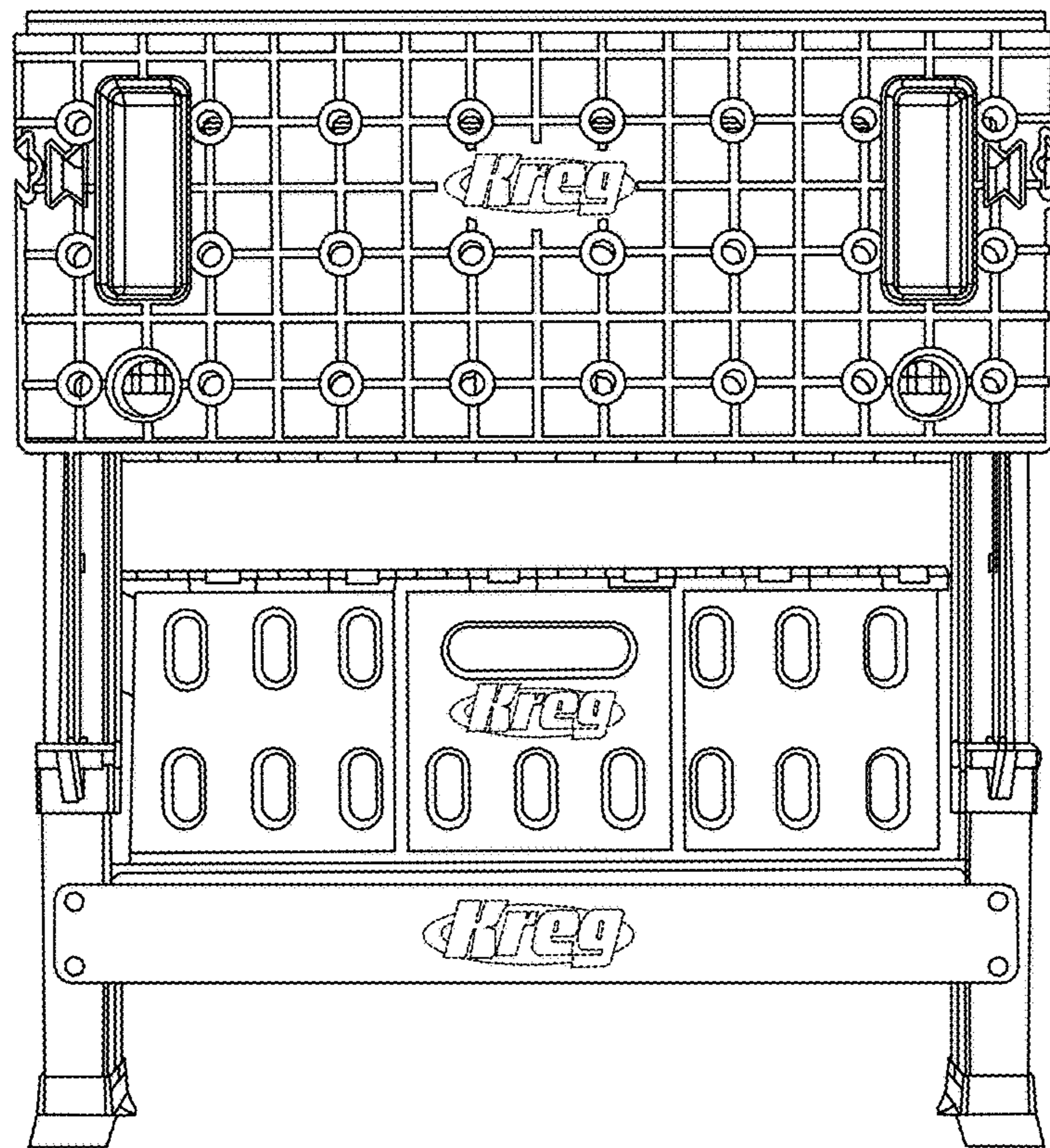


FIG. 12

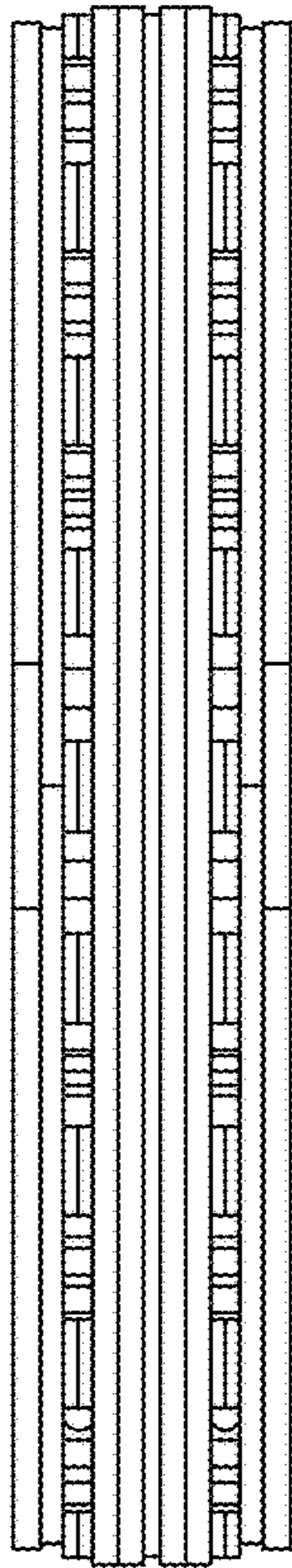


FIG. 13



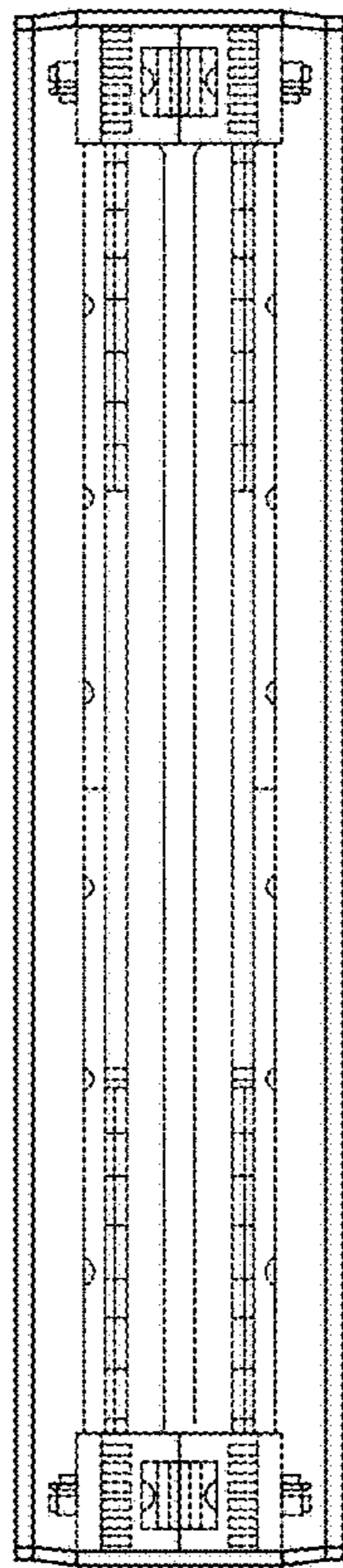


FIG. 14