



US00D842011S

(12) **United States Design Patent**  
**Fux et al.**

(10) **Patent No.:** **US D842,011 S**  
(45) **Date of Patent:** **\*\* Mar. 5, 2019**

- (54) **SLEEPING PILLOW DISPLAY CASE**
- (71) Applicant: **Comfort Revolution, LLC**, West Long Branch, NJ (US)
- (72) Inventors: **Michael Fux**, Fort Lauderdale, FL (US); **Gloria Rubin**, Atlantic Highlands, NJ (US)
- (73) Assignee: **Comfort Revolution, LLC**, West Long Branch, NJ (US)

- D562,591 S \* 2/2008 Raile ..... D6/682.2
- D622,590 S \* 8/2010 Tayama ..... D9/432
- 7,810,291 B2 \* 10/2010 McPherson ..... E02D 31/02  
404/2
- D628,407 S \* 12/2010 Robbins, III ..... D6/683
- 7,870,960 B2 1/2011 Diliberto
- D654,377 S \* 2/2012 Cassidy ..... D6/682.4
- D673,795 S \* 1/2013 Murrah ..... D6/682.2
- 8,387,185 B2 3/2013 Hasan et al.
- D680,353 S \* 4/2013 Hawkins ..... D6/682.4
- D689,718 S \* 9/2013 Puckett ..... D6/683

(Continued)

(\*\*) Term: **15 Years**

*Primary Examiner* — Kelley A Donnelly

(74) *Attorney, Agent, or Firm* — Middleton Reutlinger

(21) Appl. No.: **29/631,058**

(22) Filed: **Dec. 27, 2017**

(51) **LOC (11) Cl.** ..... **06-06**

(52) **U.S. Cl.**  
USPC ..... **D6/675**

(58) **Field of Classification Search**  
USPC ..... D6/672, 673, 675, 682, 682.1, 683;  
D3/304, 314–315, 328; D19/86, 90, 91  
CPC .. A47F 3/00; A47F 3/0456; A47F 5/11; A47F  
3/004; A47F 3/14; B65D 3/24  
See application file for complete search history.

(56) **References Cited**

U.S. PATENT DOCUMENTS

- D103,869 S \* 3/1937 Follett ..... D6/675.4
- 2,355,206 A \* 8/1944 Davidson, Jr. .... B65D 5/5021  
206/562
- 2,867,048 A \* 1/1959 Holtzman ..... B65D 5/5246  
40/312
- 4,054,204 A 10/1977 Keeton
- 4,570,805 A \* 2/1986 Smith ..... A47F 5/116  
211/132.1
- 4,768,247 A 9/1988 Beier
- D323,441 S \* 1/1992 Waldeck ..... D6/682.2
- 5,802,644 A 9/1998 Scheurer
- 6,012,585 A \* 1/2000 Parker ..... A47B 67/02  
206/538
- D485,452 S \* 1/2004 Boron ..... D3/313

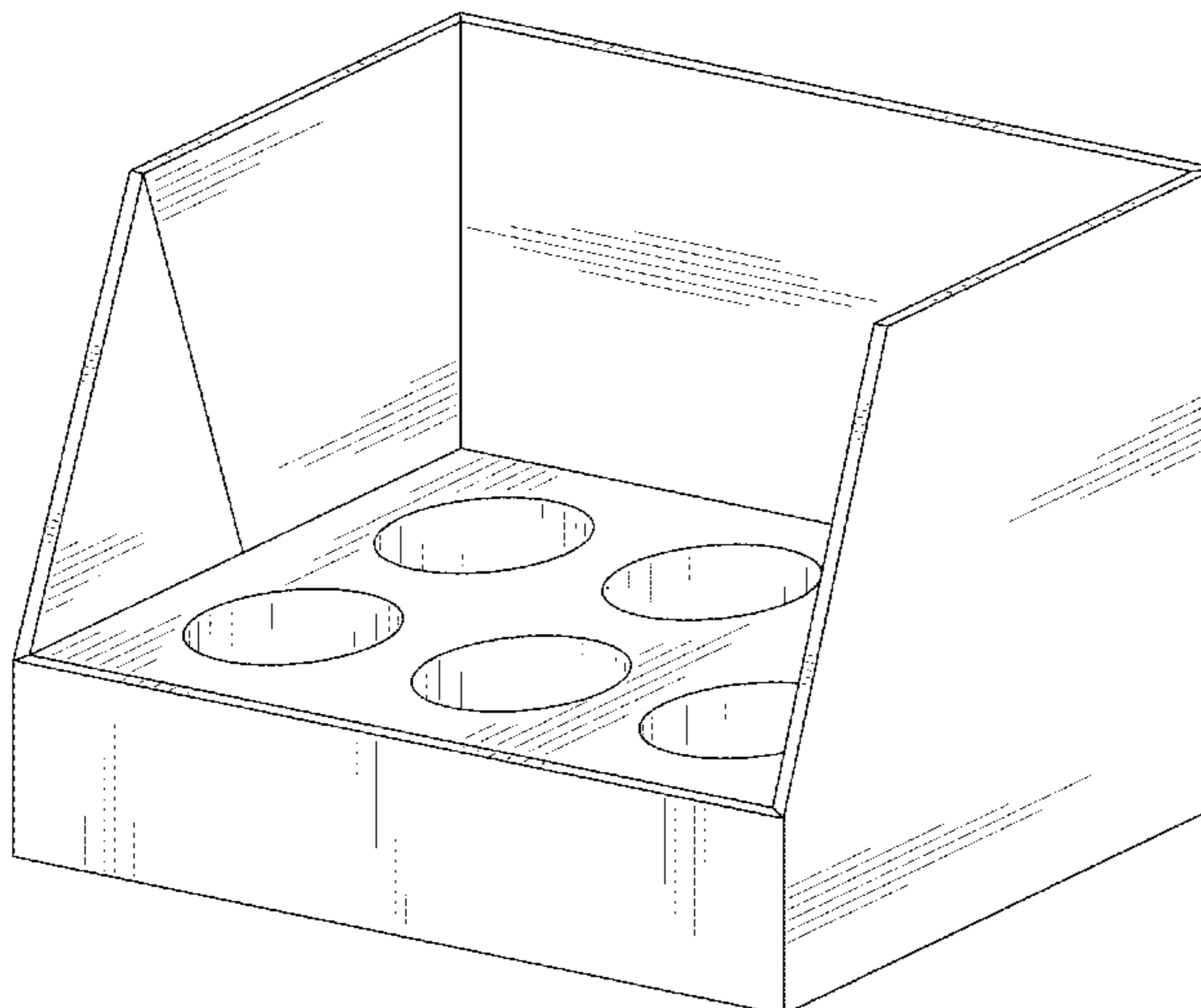
(57) **CLAIM**

The ornamental design for a sleeping pillow display case, as shown and described.

**DESCRIPTION**

FIG. 1 is a perspective view of a sleeping pillow display case, showing our new design;  
 FIG. 2 is a front view of the sleeping pillow display case shown in FIG. 1;  
 FIG. 3 is a rear view of the sleeping pillow display case shown in FIG. 1;  
 FIG. 4 is a right side view of the sleeping pillow display case shown in FIG. 1;  
 FIG. 5 is a left side view of the sleeping pillow display case shown in FIG. 1.  
 FIG. 6 is a top plan view of the sleeping pillow display case shown in FIG. 1;  
 FIG. 7 is a bottom view of the sleeping pillow display case shown in FIG. 1; and,  
 FIG. 8 is another perspective view of the sleeping pillow display case shown in FIG. 1.  
 The broken lines form no part of the claimed design for a sleeping pillow display case.

**1 Claim, 5 Drawing Sheets**



(56)

**References Cited**

U.S. PATENT DOCUMENTS

D709,716 S \* 7/2014 Watson ..... D6/675.3  
8,875,875 B2 11/2014 Fux  
8,875,876 B2 11/2014 Fux  
D732,324 S \* 6/2015 Hawkins ..... D6/683.1  
9,215,939 B2 \* 12/2015 Zobel ..... A47F 5/0823  
D769,675 S \* 10/2016 Chavez ..... D7/553.5  
D780,848 S \* 3/2017 Greenspon ..... D19/92  
D811,833 S \* 3/2018 Thurow ..... D7/706  
D814,216 S \* 4/2018 French ..... D6/675  
2011/0266188 A1 11/2011 Share et al.

\* cited by examiner

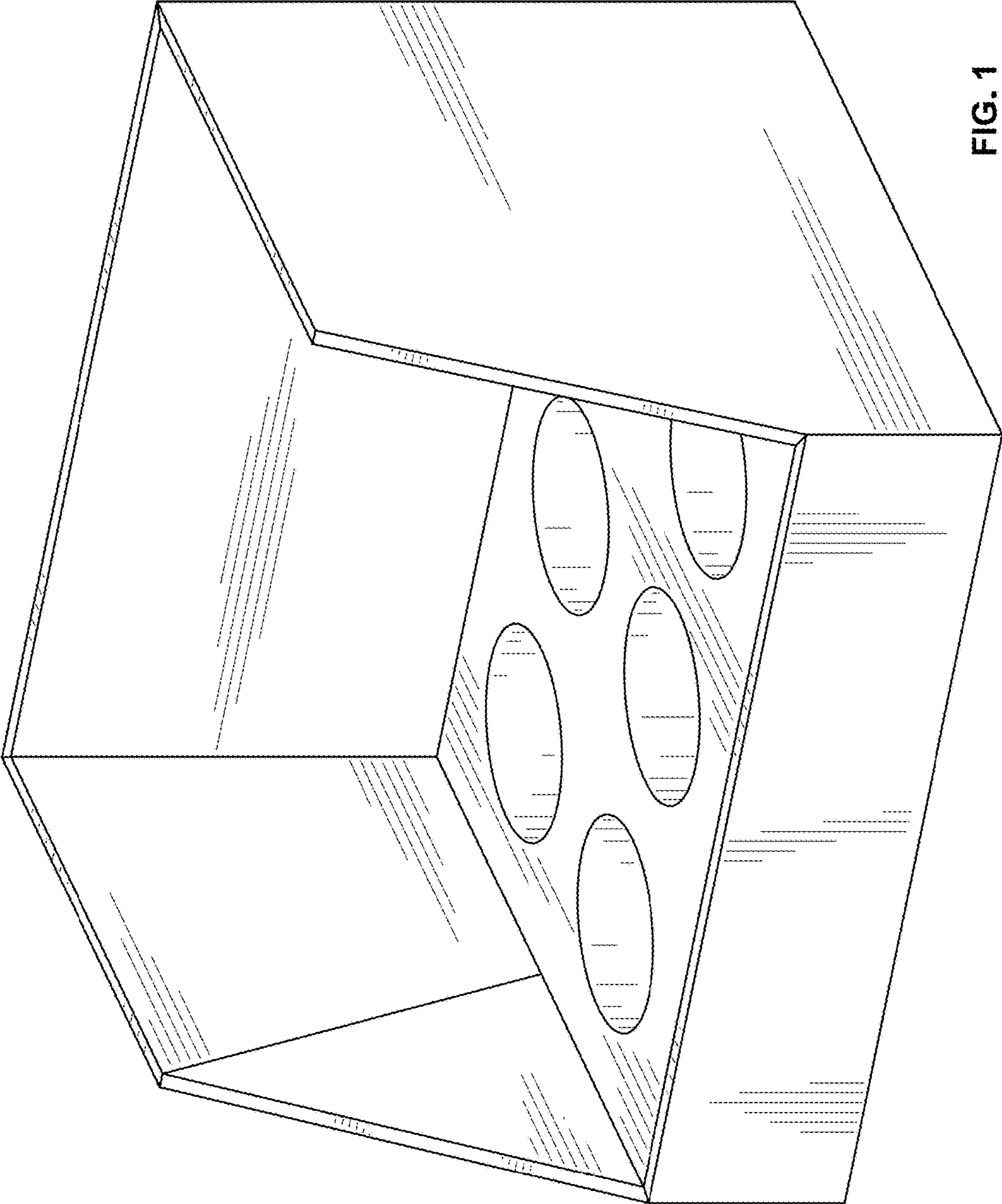


FIG. 1

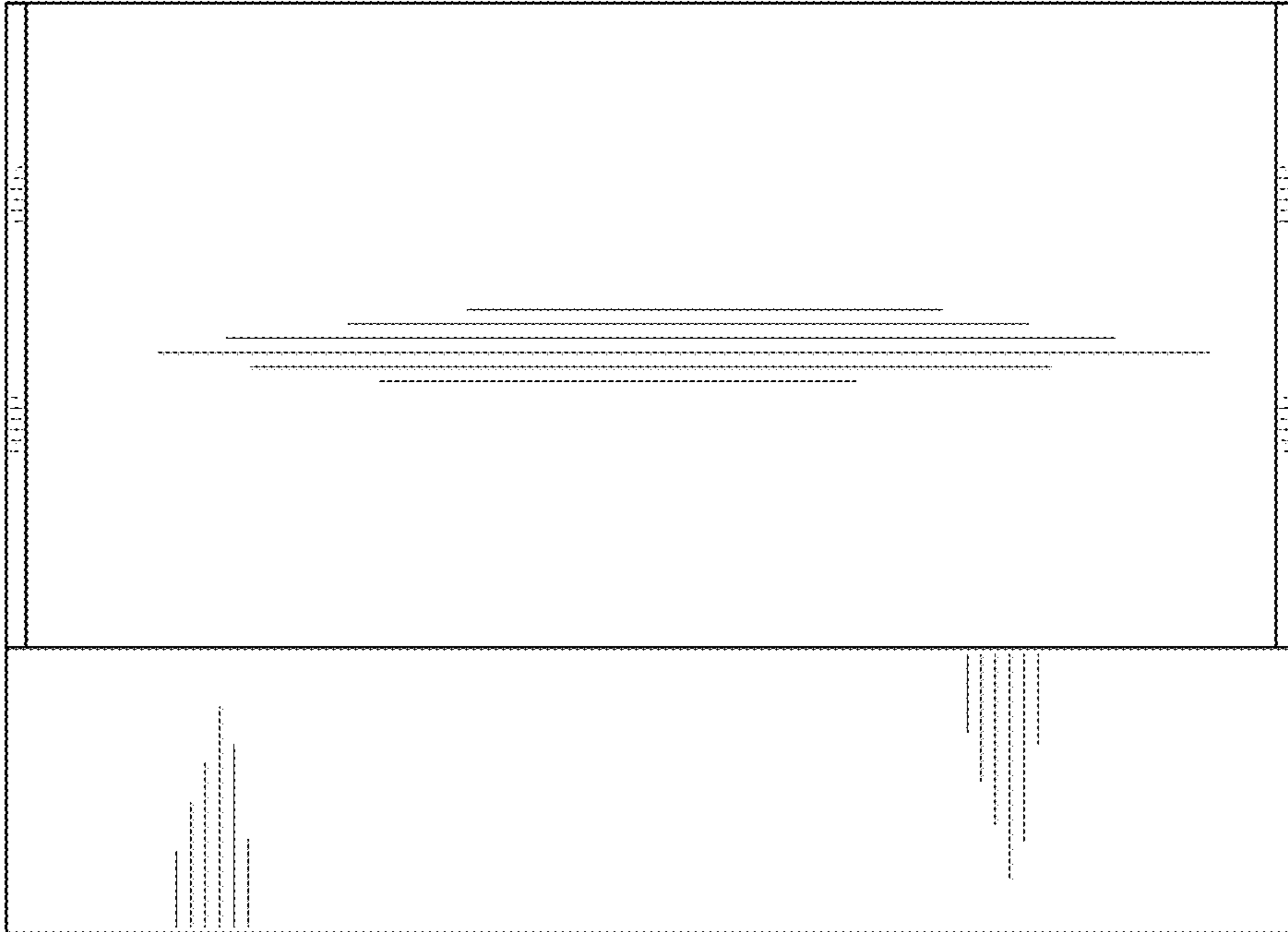


FIG. 2



FIG. 3

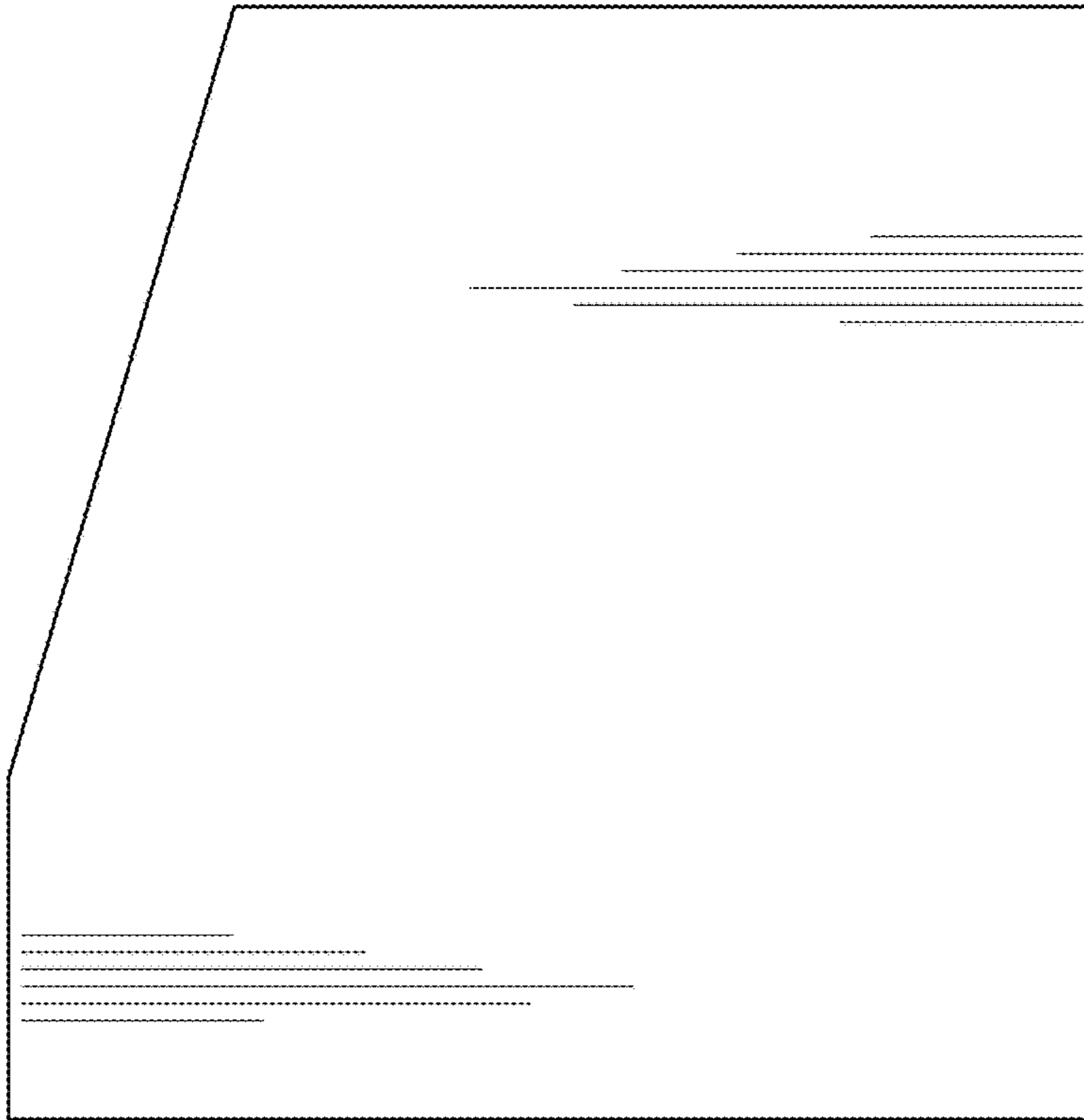


FIG. 4

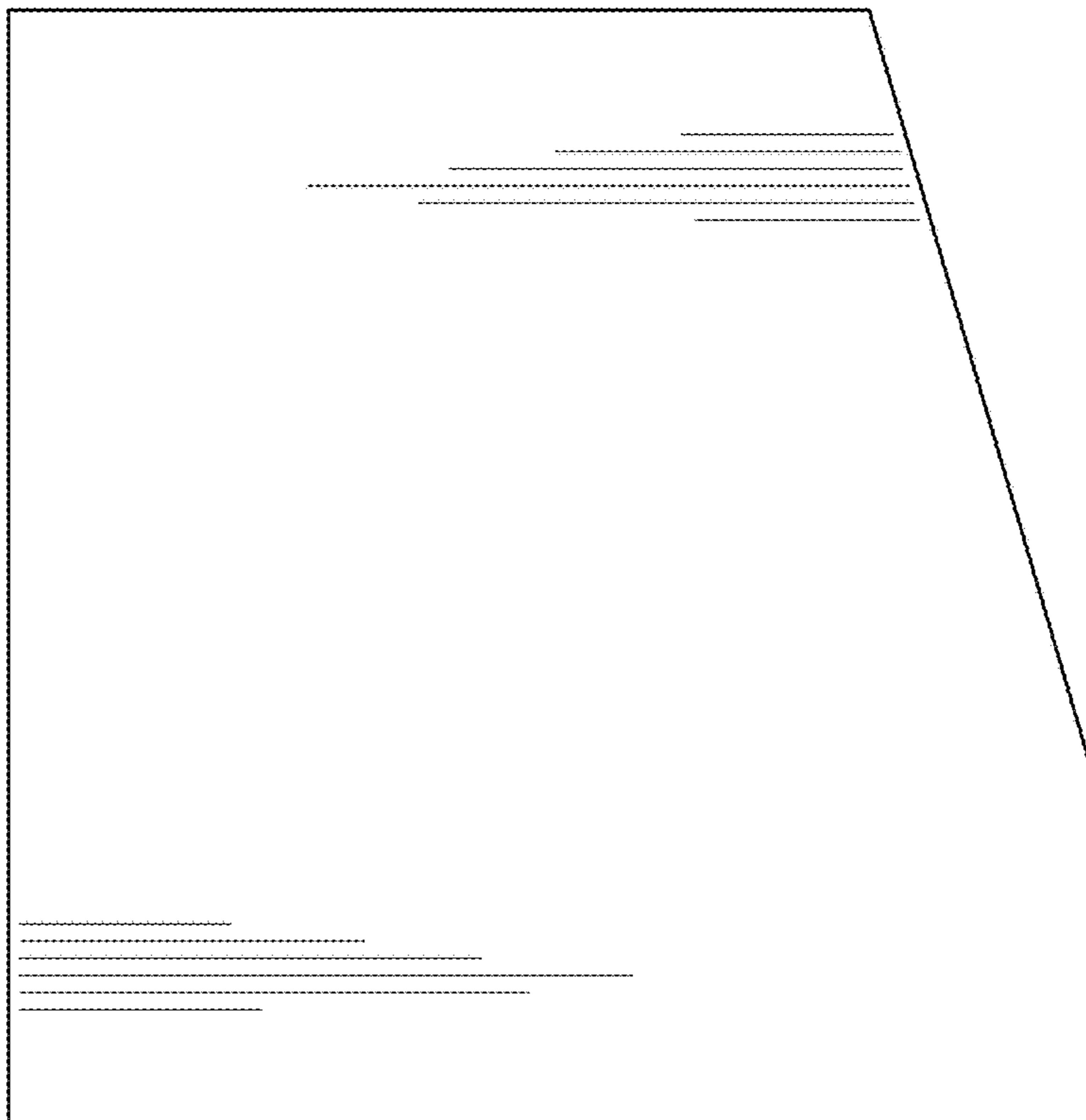


FIG. 5

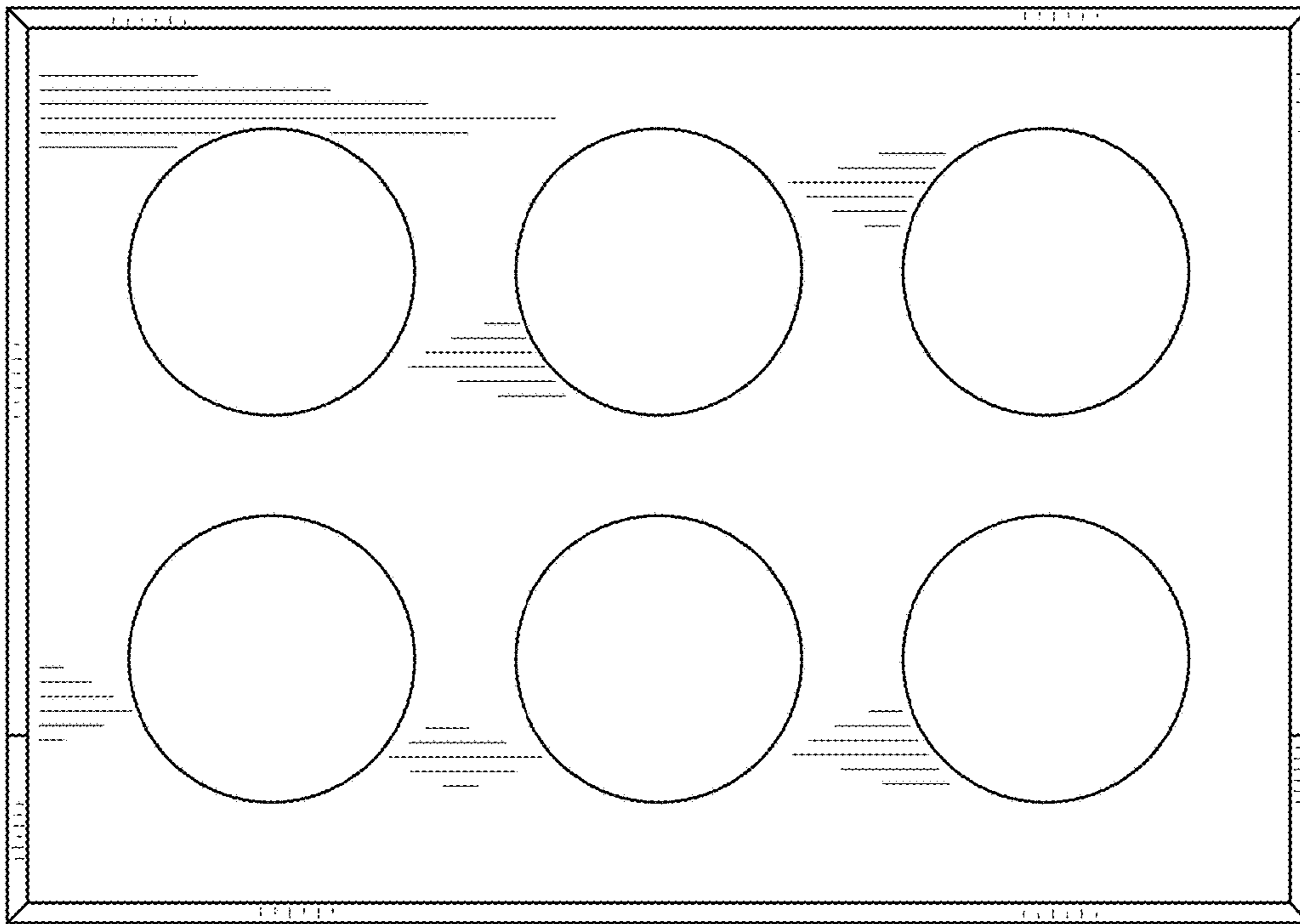


FIG. 6



FIG. 7

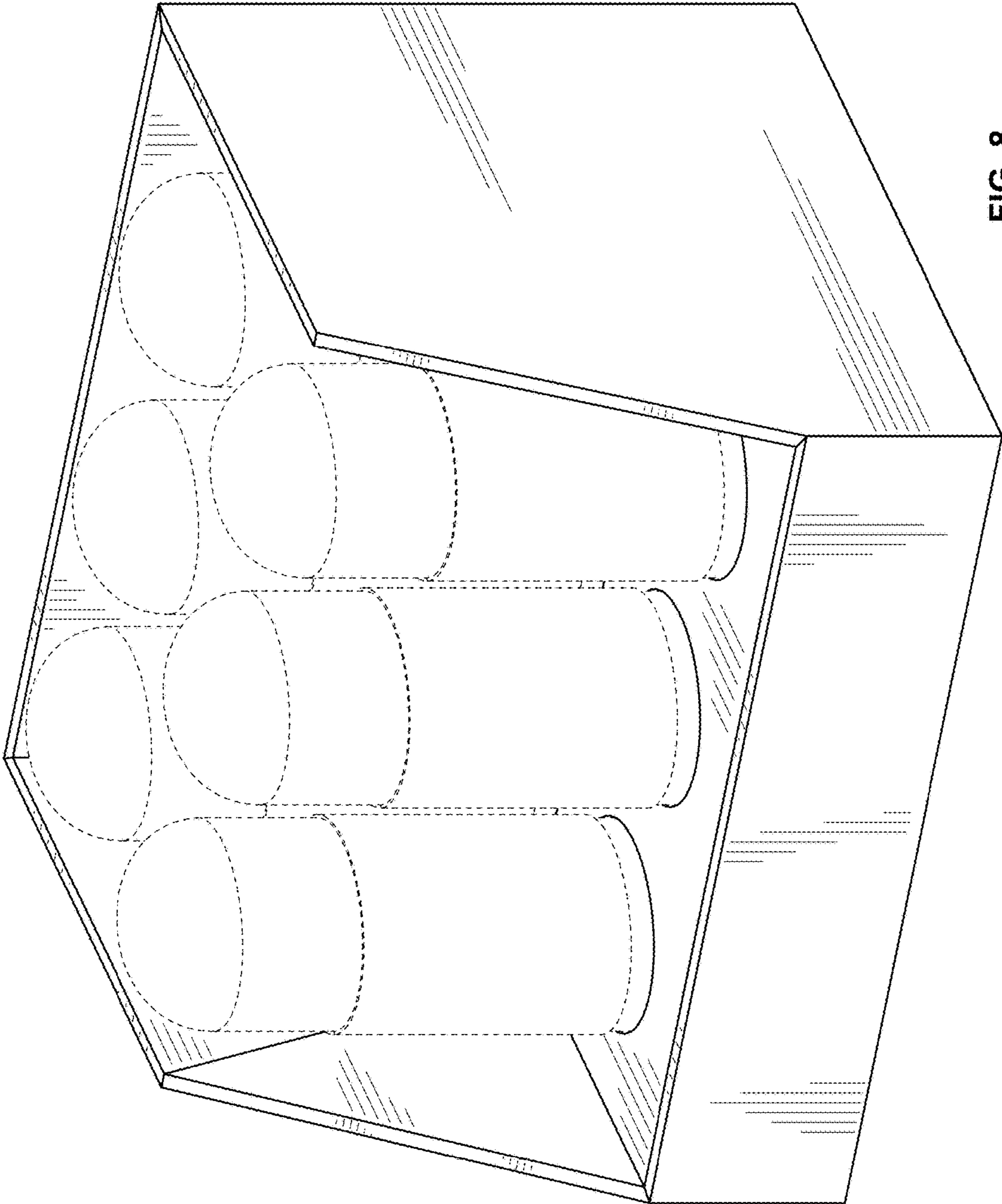


FIG. 8