

US00D842010S

(12) **United States Design Patent** (10) **Patent No.:** **US D842,010 S**
Berger et al. (45) **Date of Patent:** **** Mar. 5, 2019**

(54) **POT AND PAN PULL-OUT ORGANIZER**

(71) Applicants: **Andy L. Berger**, Woodridge, IL (US);
Jennifer Kilpatrick, Woodridge, IL (US)

(72) Inventors: **Andy L. Berger**, Woodridge, IL (US);
Jennifer Kilpatrick, Woodridge, IL (US)

(**) Term: **15 Years**

(21) Appl. No.: **29/581,514**

(22) Filed: **Oct. 19, 2016**

Related U.S. Application Data

(63) Continuation-in-part of application No. 29/540,139,
filed on Sep. 21, 2015, now Pat. No. Des. 781,671,
(Continued)

(51) **LOC (11) Cl.** **06-06**

(52) **U.S. Cl.**
USPC **D6/675**

(58) **Field of Classification Search**
USPC D6/675, 675.2, 678.4; D7/601, 704
(Continued)

(56) **References Cited**

U.S. PATENT DOCUMENTS

D415,921 S * 11/1999 Harris D6/630
D446,315 S * 8/2001 Forbis D25/38.1
(Continued)

Primary Examiner — Kelley A Donnelly

(57) **CLAIM**

The ornamental design for a pot and pan pull-out organizer,
as shown and described.

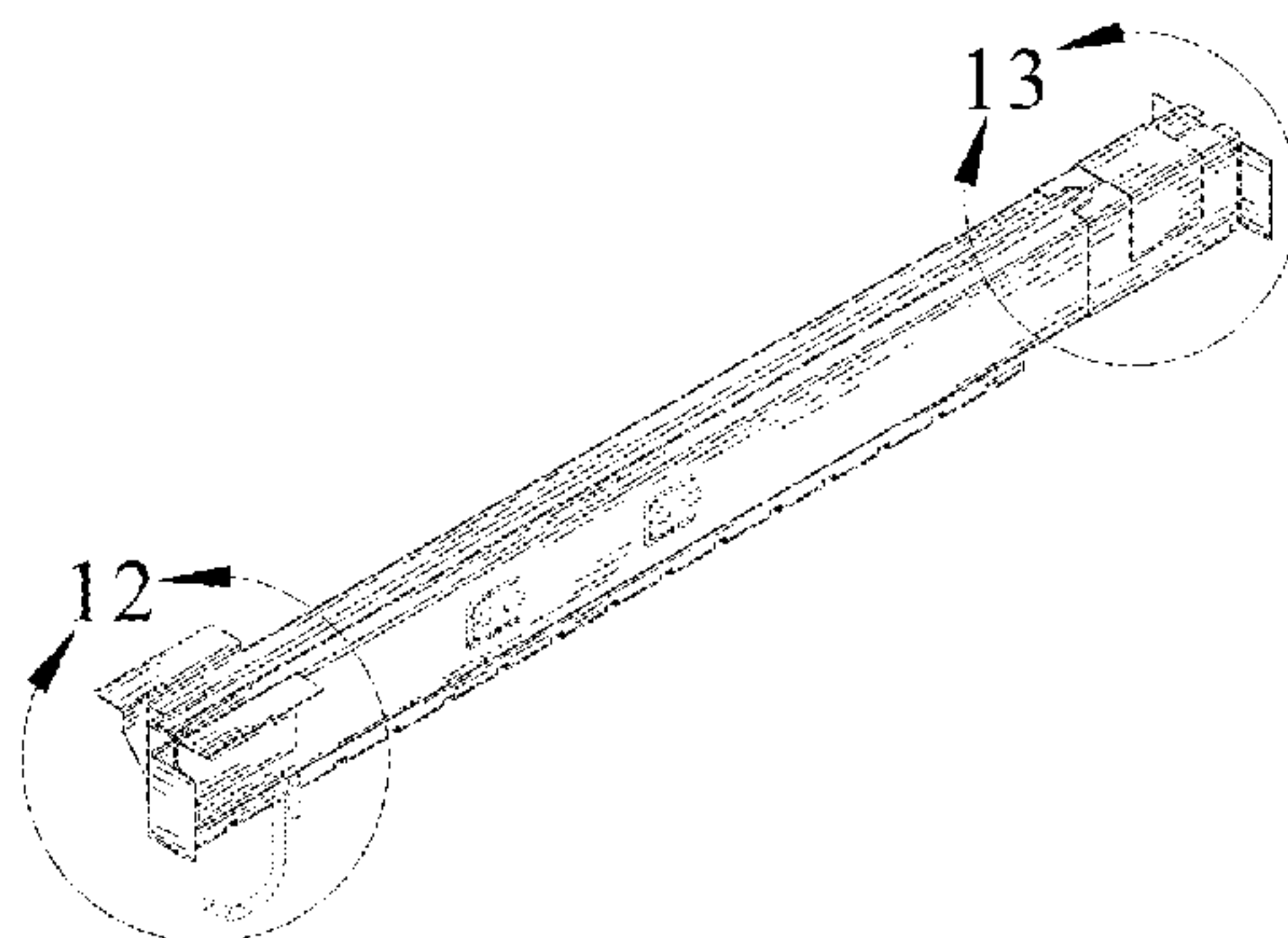
DESCRIPTION

FIG. 1 is a top right perspective view of a pot and pan
pull-out organizer in a collapsed configuration showing our
new design;

FIG. 2 is a top left perspective view thereof;
FIG. 3 is a bottom left perspective view thereof;
FIG. 4 is a front view thereof;
FIG. 5 is a back view thereof;
FIG. 6 is a top view thereof;
FIG. 7 is a bottom view thereof;
FIG. 8 is a left view thereof;
FIG. 9 is a right view thereof;
FIG. 10 is a top right perspective view of a pot and pan
pull-out organizer in an extended configuration;
FIG. 11 is a top perspective view thereof;
FIG. 12 is a detail perspective view of a pot and pan pull-out
organizer in a collapsed configuration taken with reference
to circle 12 of FIG. 1;
FIG. 13 is a detail perspective view taken about circle 13 of
FIG. 1;
FIG. 14 is a detail perspective view taken about circle 14 of
FIG. 2;
FIG. 15 is a detail perspective view taken about circle 15 of
FIG. 2;
FIG. 16 is a detail perspective view taken about circle 16 of
FIG. 3;
FIG. 17 is a detail perspective view taken about circle 17 of
FIG. 4;
FIG. 18 is a detail perspective view taken about circle 18 of
FIG. 5;
FIG. 19 is a detail perspective view taken about circle 19 of
FIG. 6;
FIG. 20 is a detail perspective view taken about circle 20 of
FIG. 7;
FIG. 21 is a detail perspective view taken about circle 21 of
FIG. 10;
FIG. 22 is a detail perspective view taken about circle 22 of
FIG. 10; and,
FIG. 23 is a detail perspective view taken about circle 23 of
FIG. 11.

The broken line showing of the bracket mounting holes in
FIGS. 12-23, the broken line showing of a hook in FIGS.
1-5, 7-10, 12, 14, 16-18, 20, and 22, and the broken line
showing of the internal rail in FIGS. 1, 2, 4-7, 10, 11, 17, 18,
21, and 23, is included for the purpose of showing environ-
mental structure and forms no part of the claimed design.

1 Claim, 23 Drawing Sheets



Related U.S. Application Data

which is a continuation of application No. 29/541, 860, filed on Oct. 8, 2015, now Pat. No. Des. 781,670.

(58) **Field of Classification Search**

CPC A47B 88/48; A47B 88/90; A47B 88/483;
A47B 88/423; A47F 5/0006; A47J 47/16
See application file for complete search history.

(56) **References Cited**

U.S. PATENT DOCUMENTS

7,066,563	B2	6/2006	Berger	
D536,098	S *	1/2007	Walker	D25/38.1
D562,327	S *	2/2008	Hsu	D13/199
D626,663	S *	11/2010	Stephens	D25/124
D685,215	S	7/2013	Berger	
D694,026	S	11/2013	Berger	
D704,458	S	5/2014	Berger	
D720,545	S	1/2015	Berger	
D726,072	S *	4/2015	Scott	D12/49
D732,698	S *	6/2015	Meng	D25/61
D757,687	S *	5/2016	White	D14/214
D759,982	S	6/2016	Berger	
D765,433	S	9/2016	Berger	
D767,311	S *	9/2016	Hrovat	D6/705
D767,976	S *	10/2016	Marocco	D8/363
D777,814	S *	1/2017	Verhoeven	D15/145
D790,799	S *	6/2017	Holzhaeuser	D34/35
D805,417	S *	12/2017	Thompson	D10/121
D806,808	S *	1/2018	Gregory	D21/686
D821,852	S *	7/2018	Kaneko	D8/354

* cited by examiner

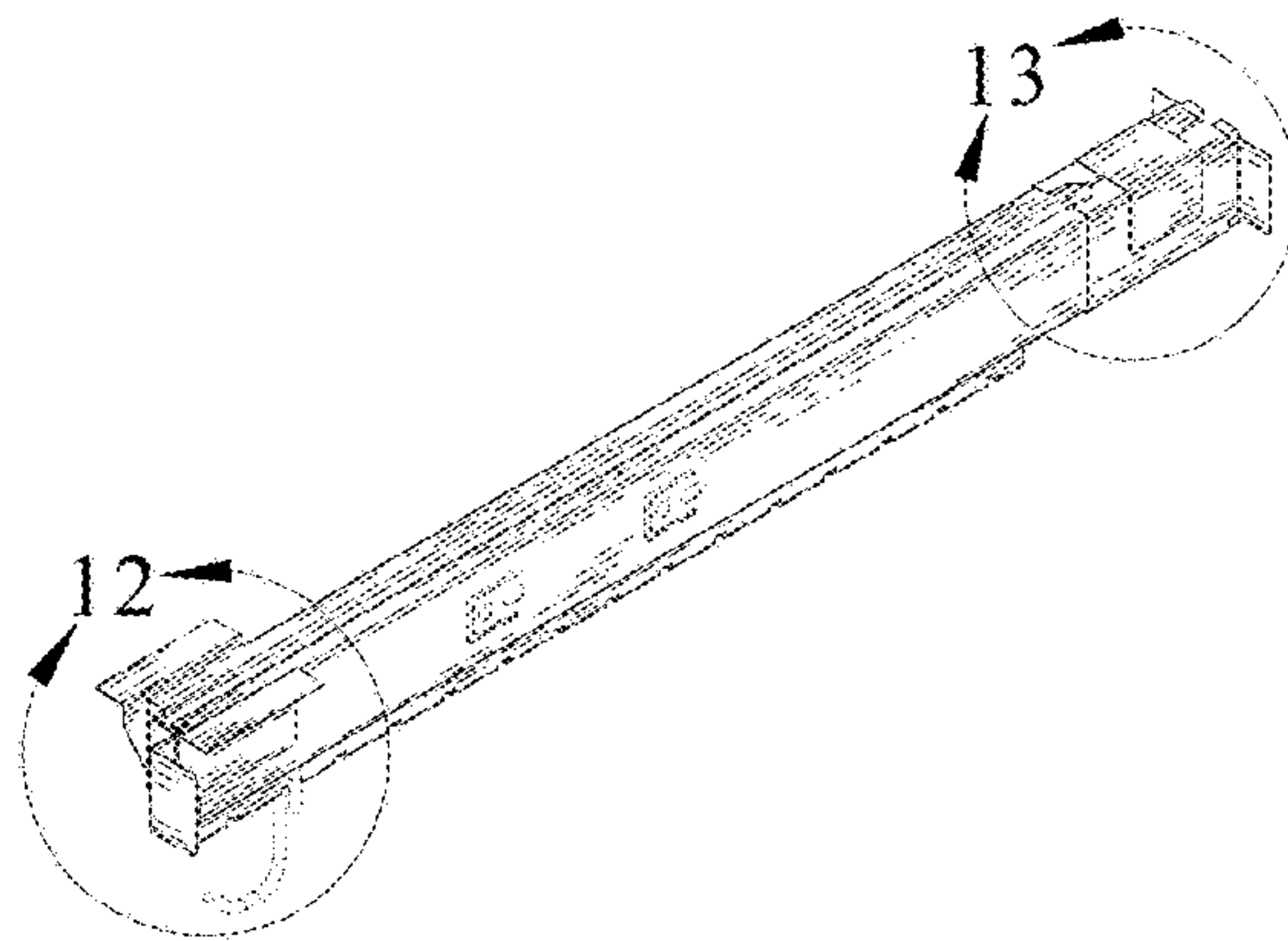


FIG. 1

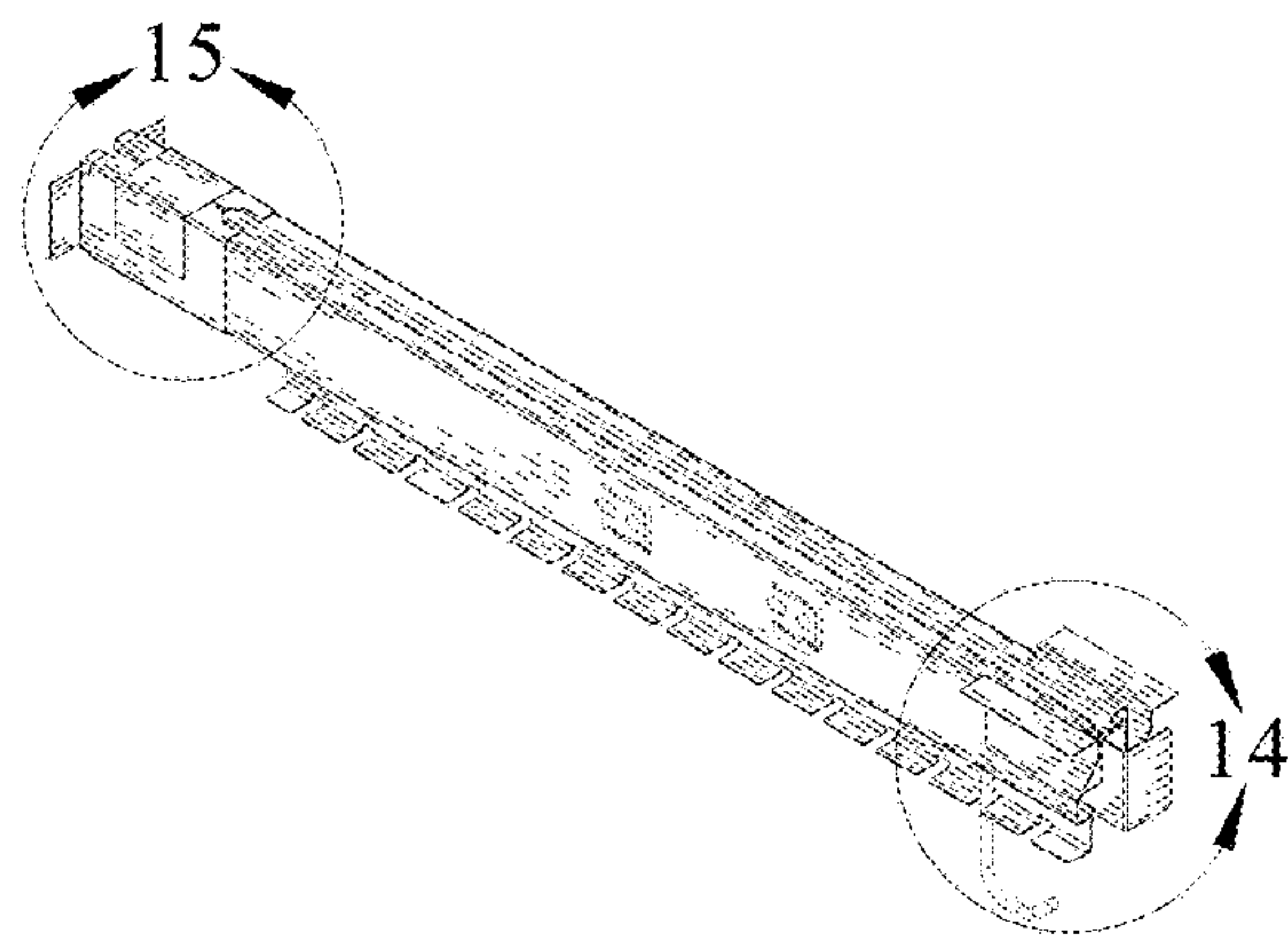


FIG. 2

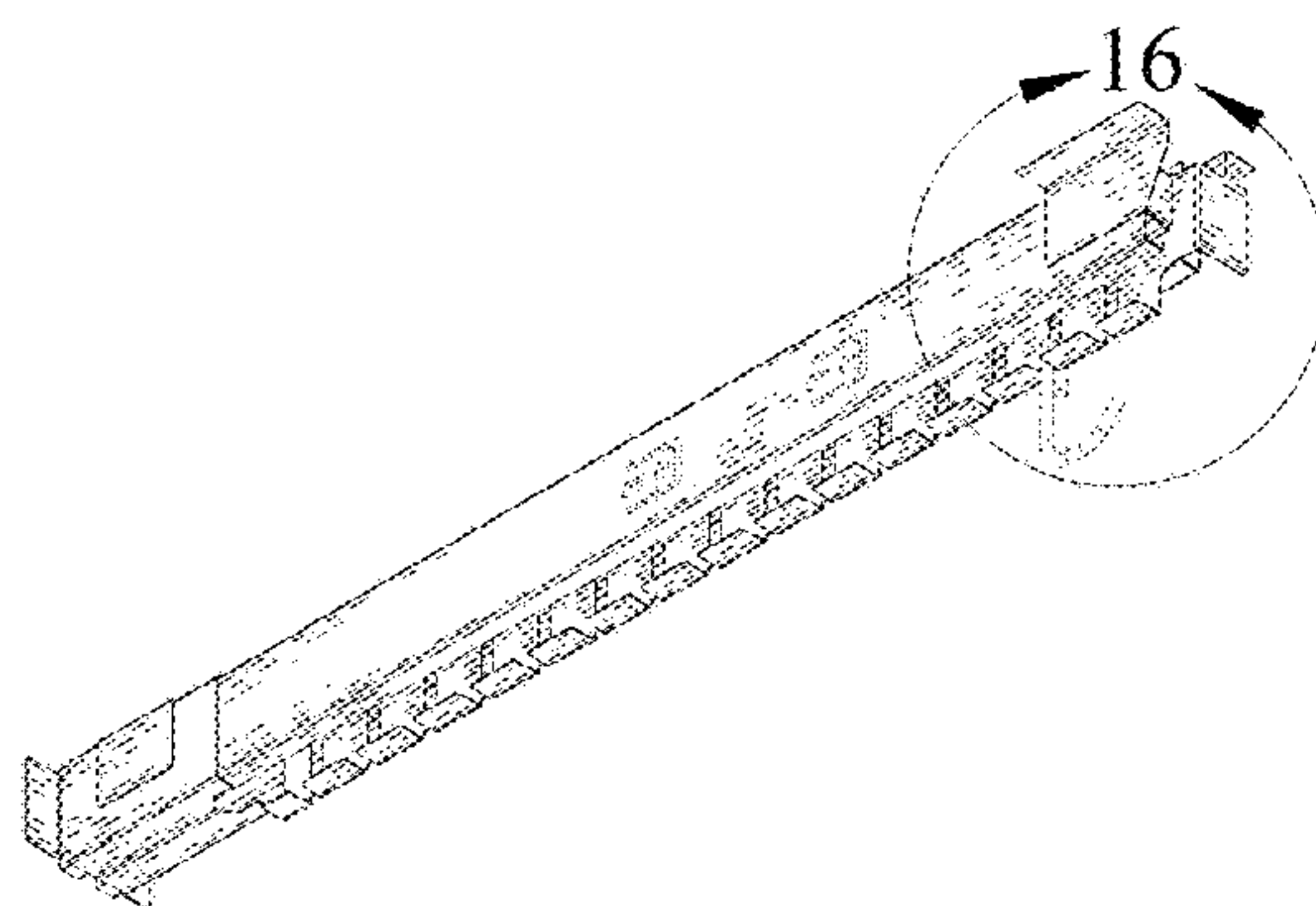


FIG. 3

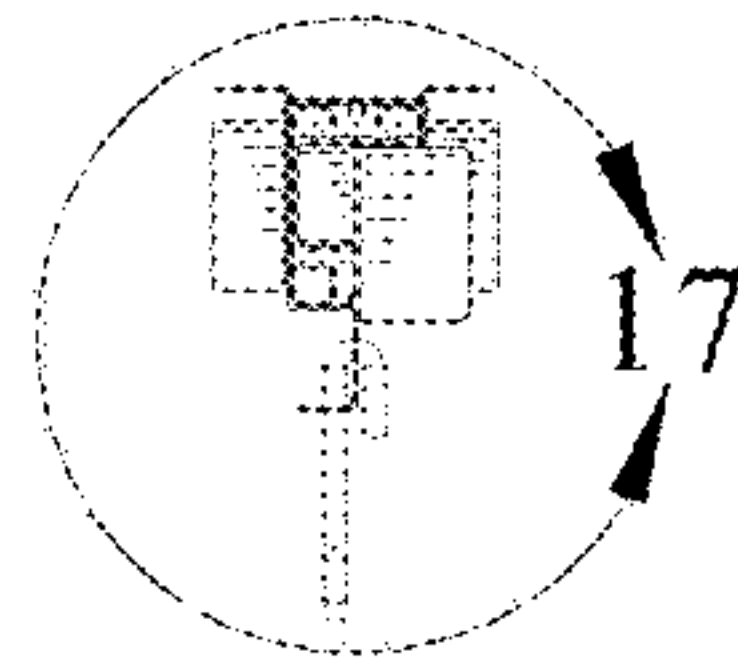


FIG. 4

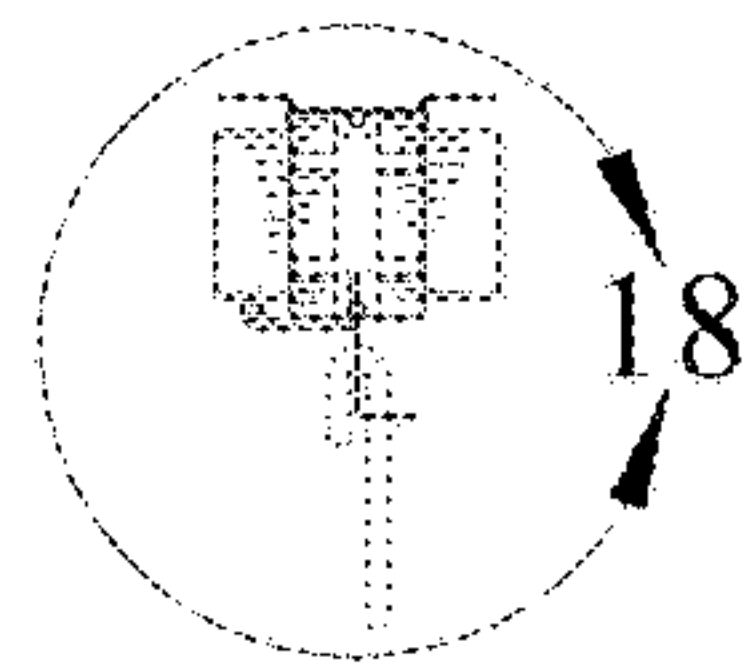


FIG. 5

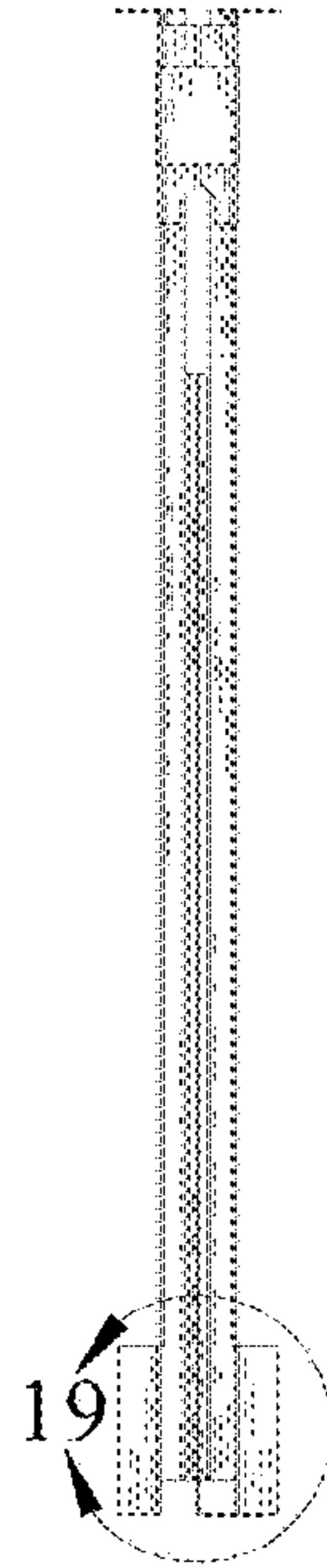


FIG. 6

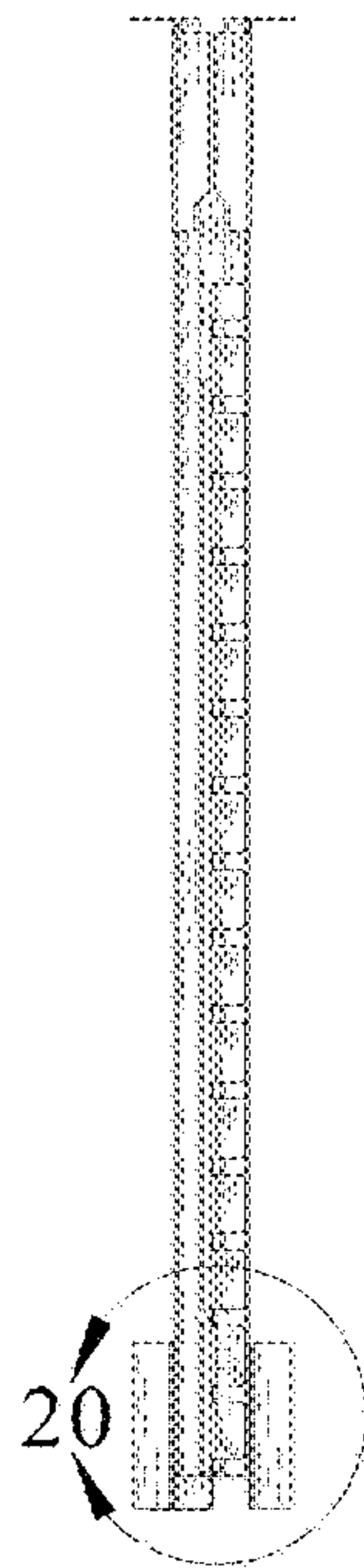


FIG. 7

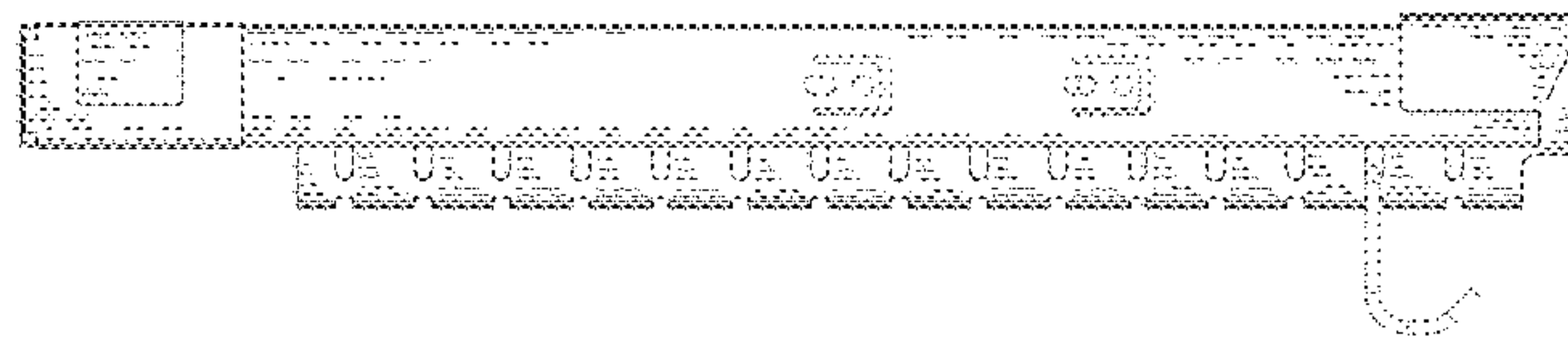


FIG. 8

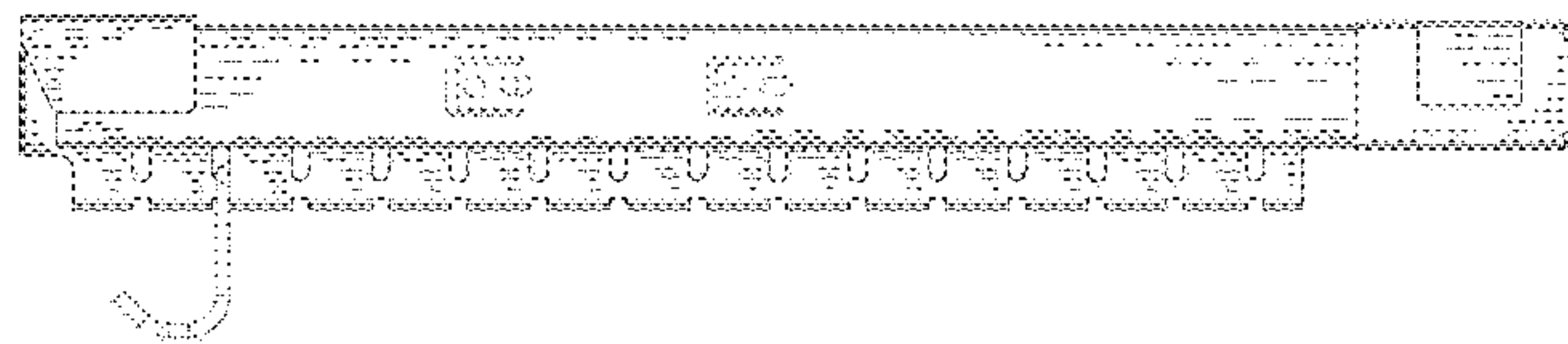


FIG. 9

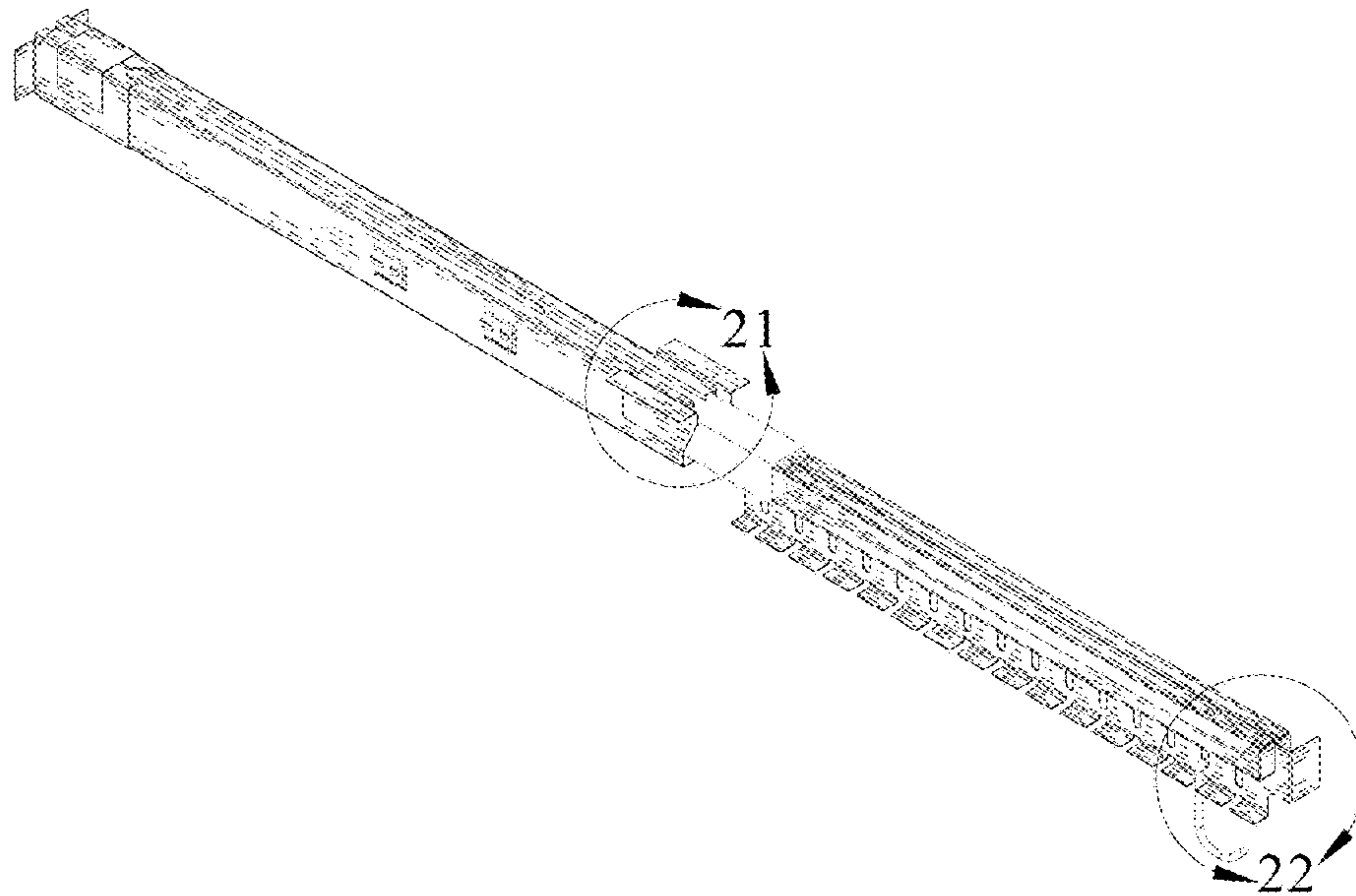


FIG. 10

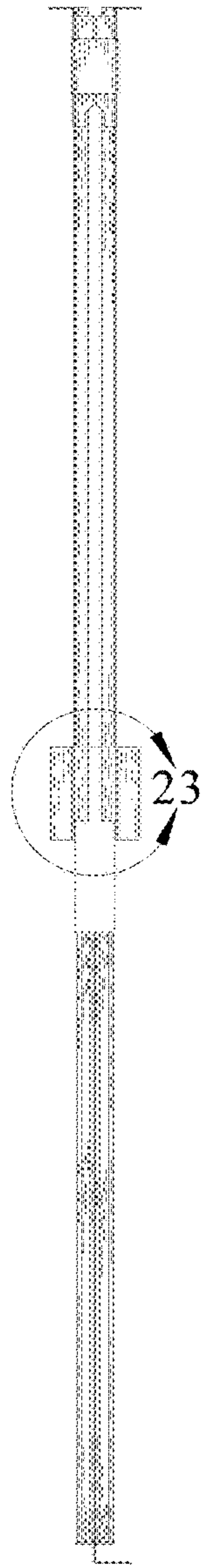


FIG. 11

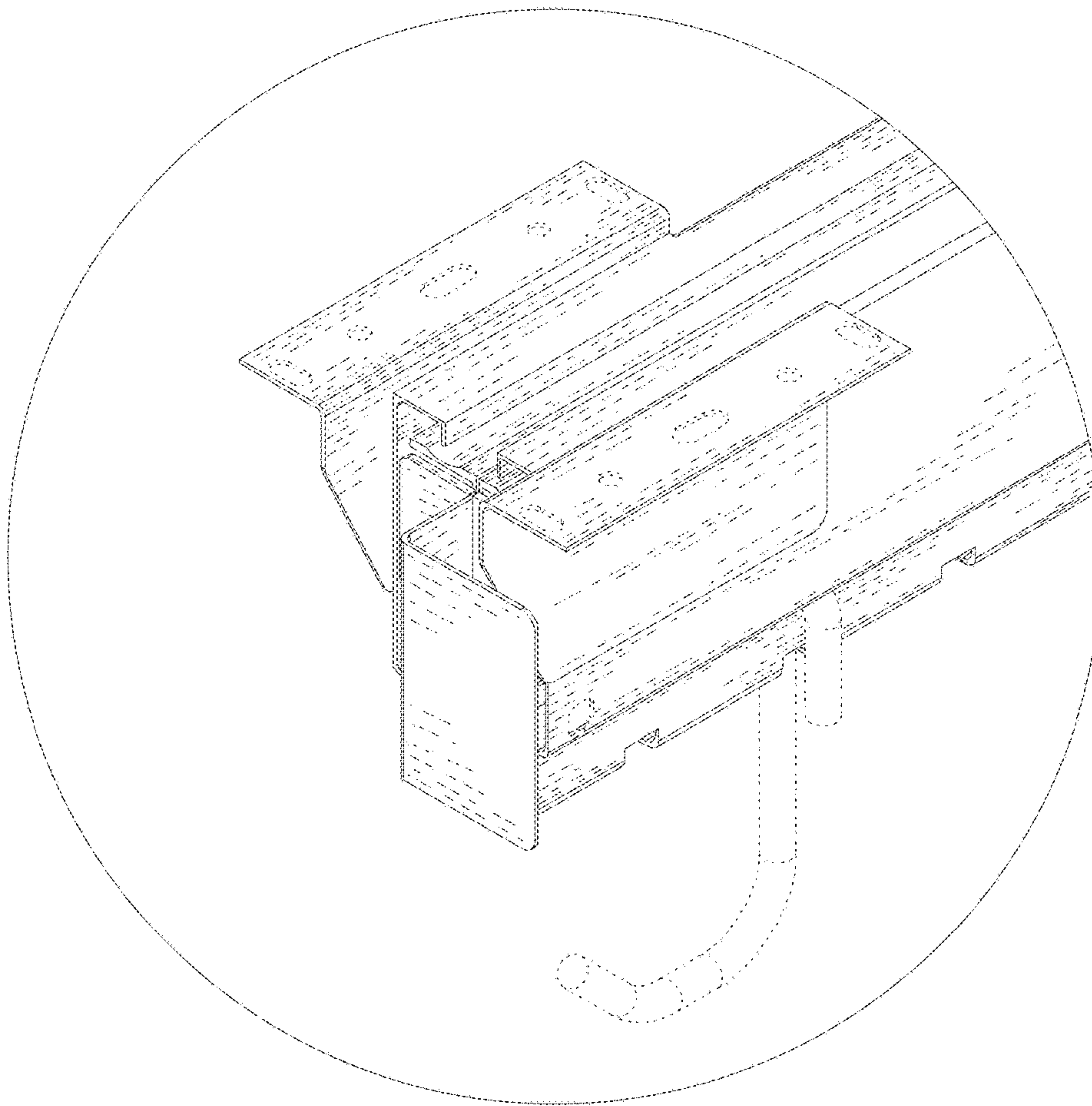


FIG. 12

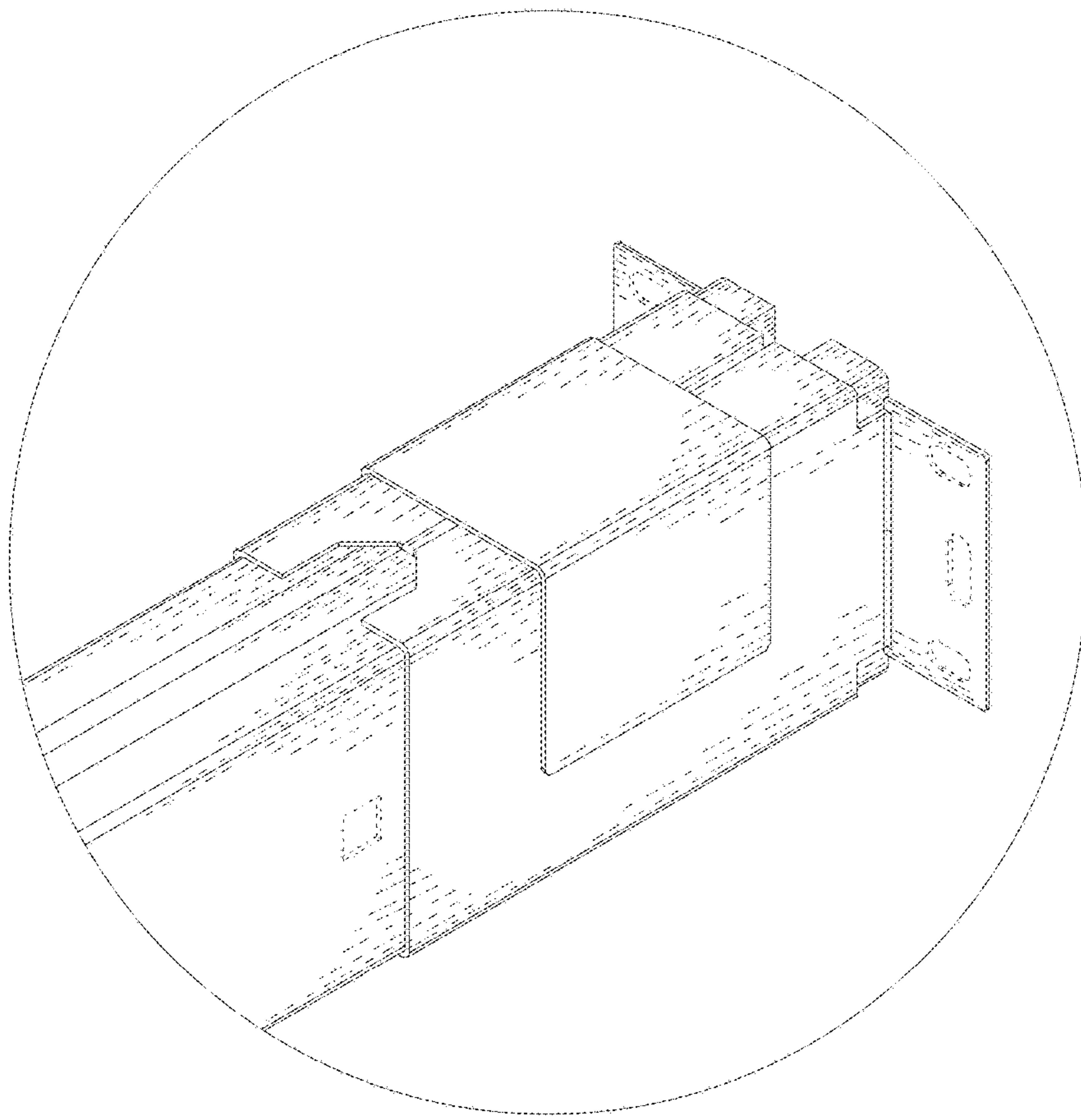


FIG. 13

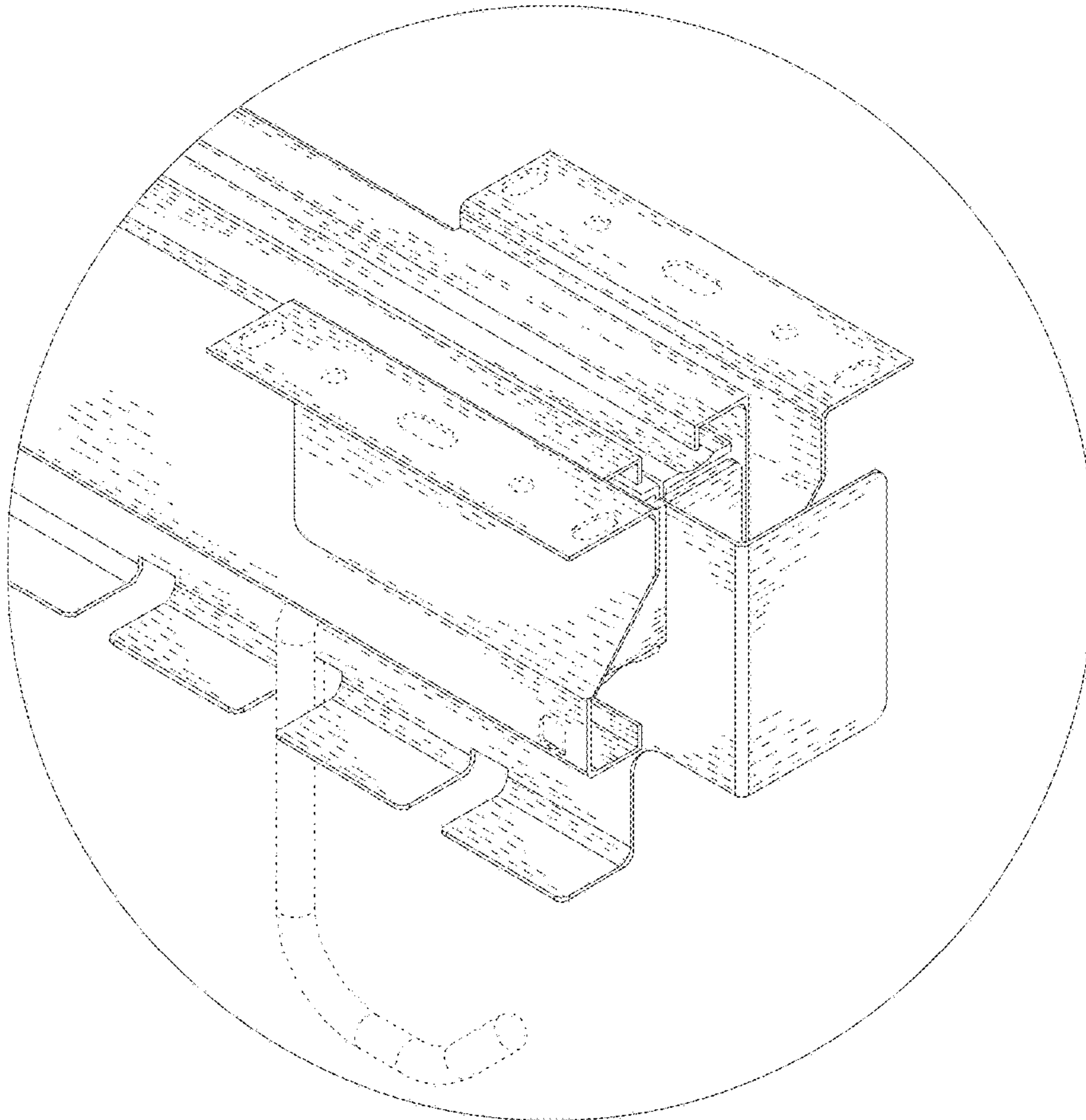


FIG. 14

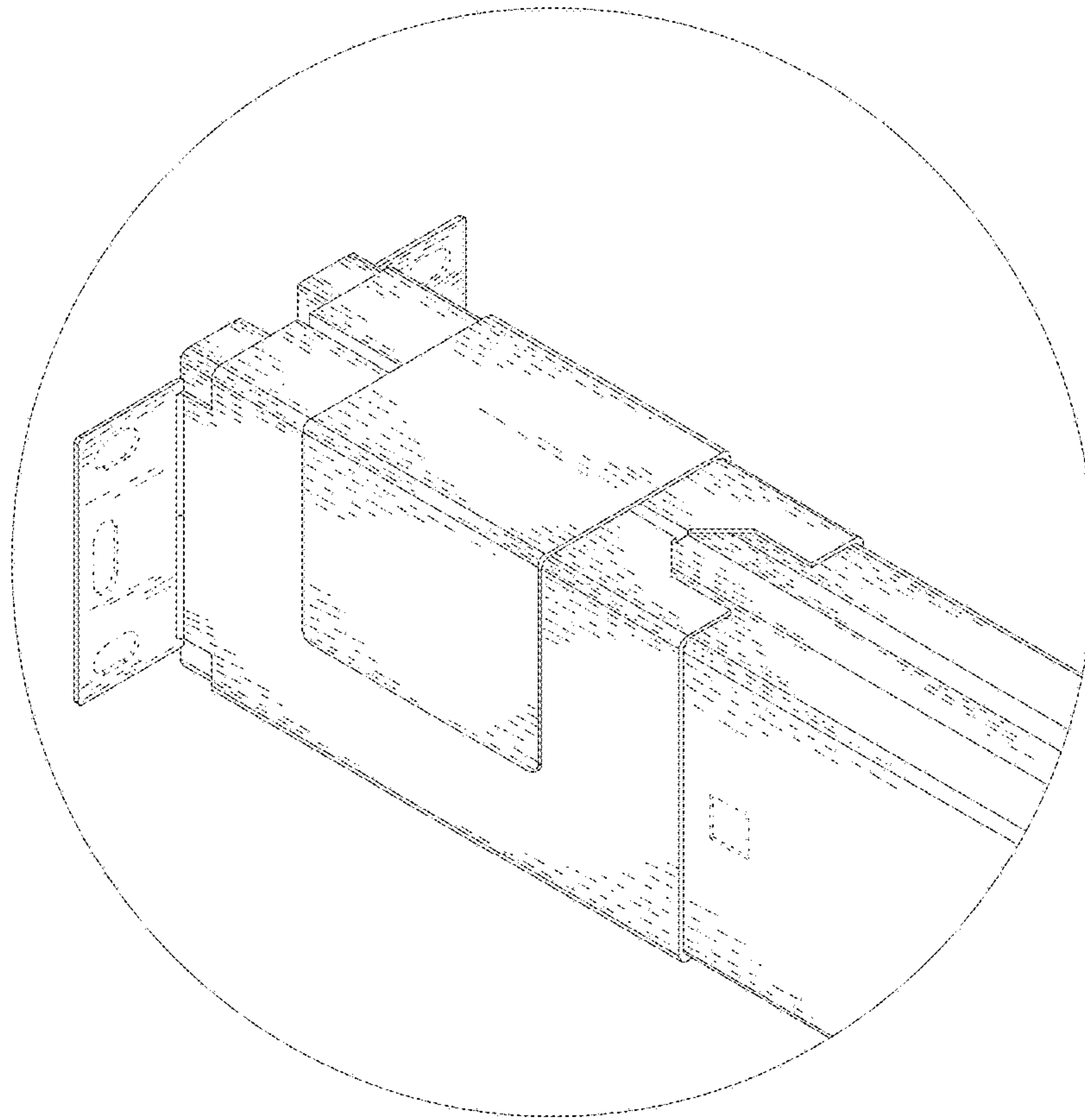


FIG. 15

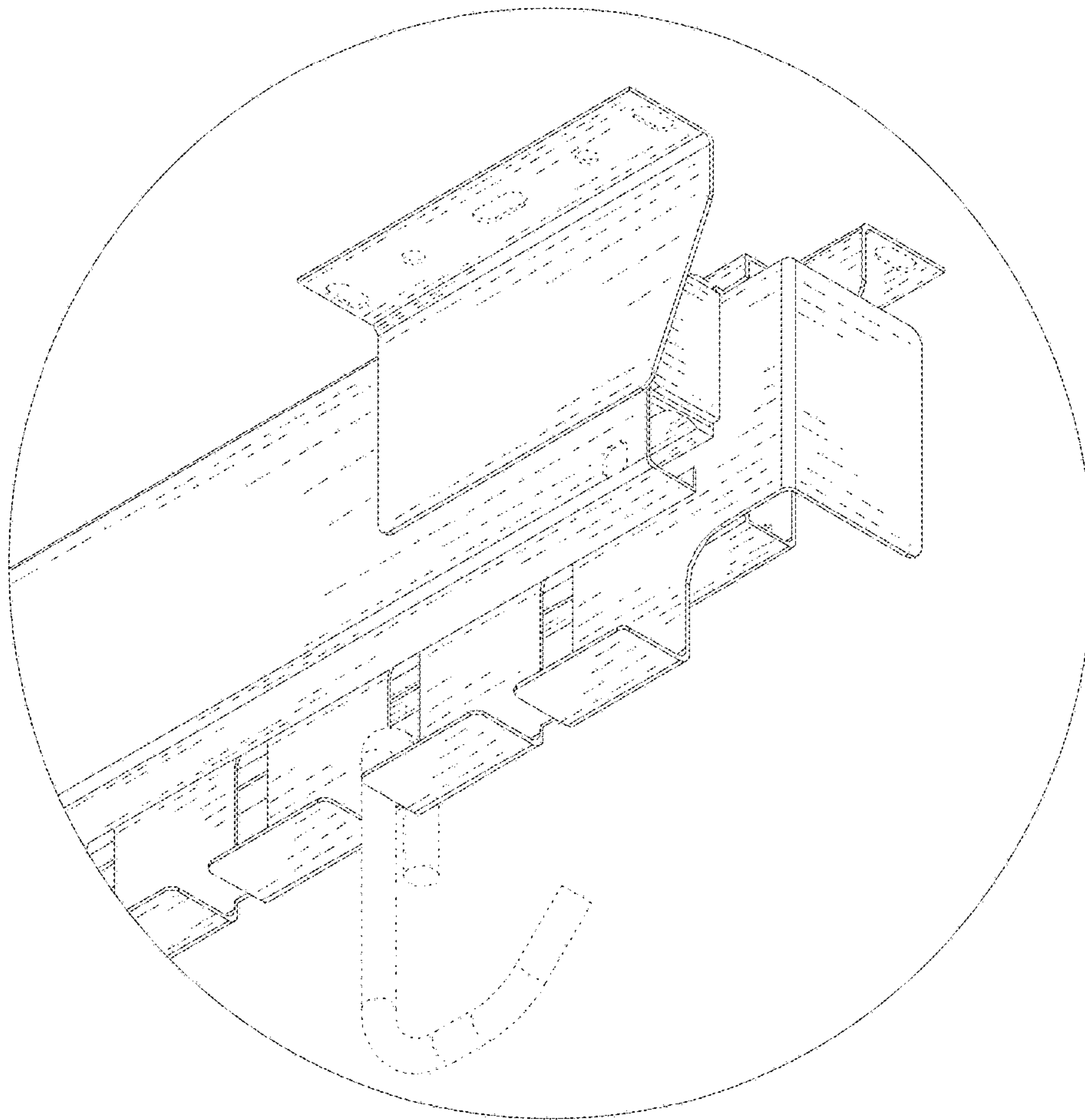


FIG. 16

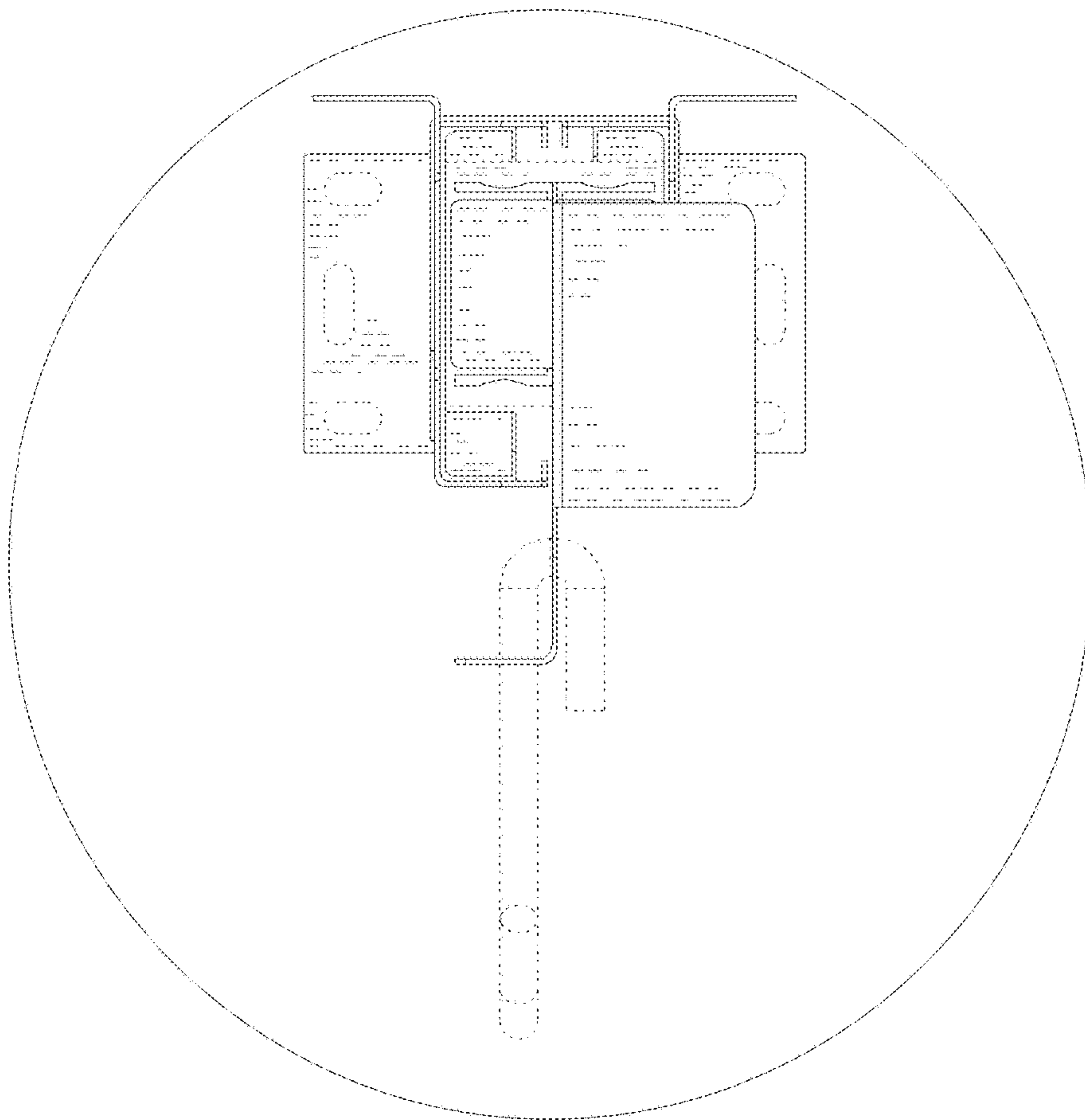


FIG. 17

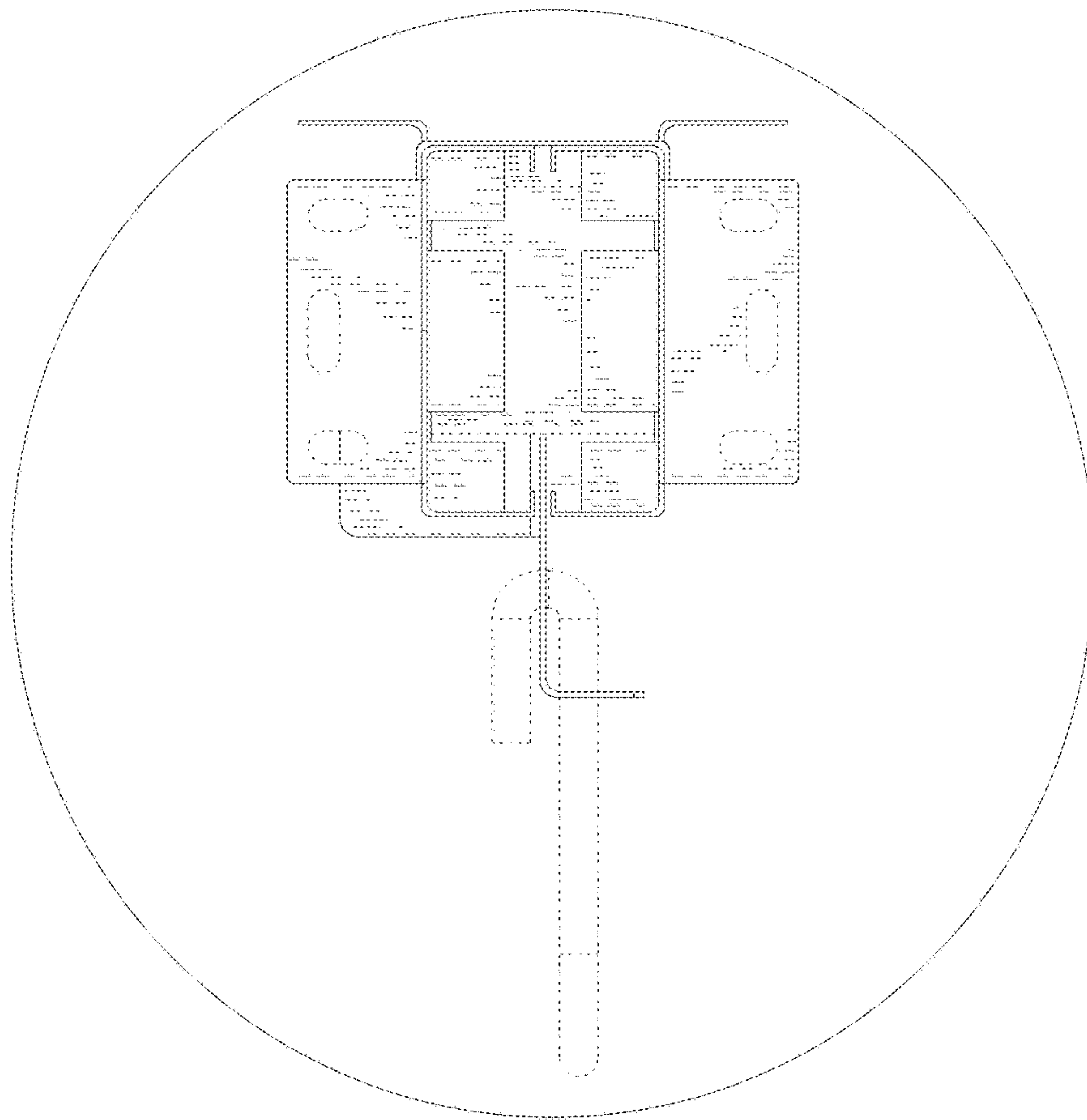


FIG. 18

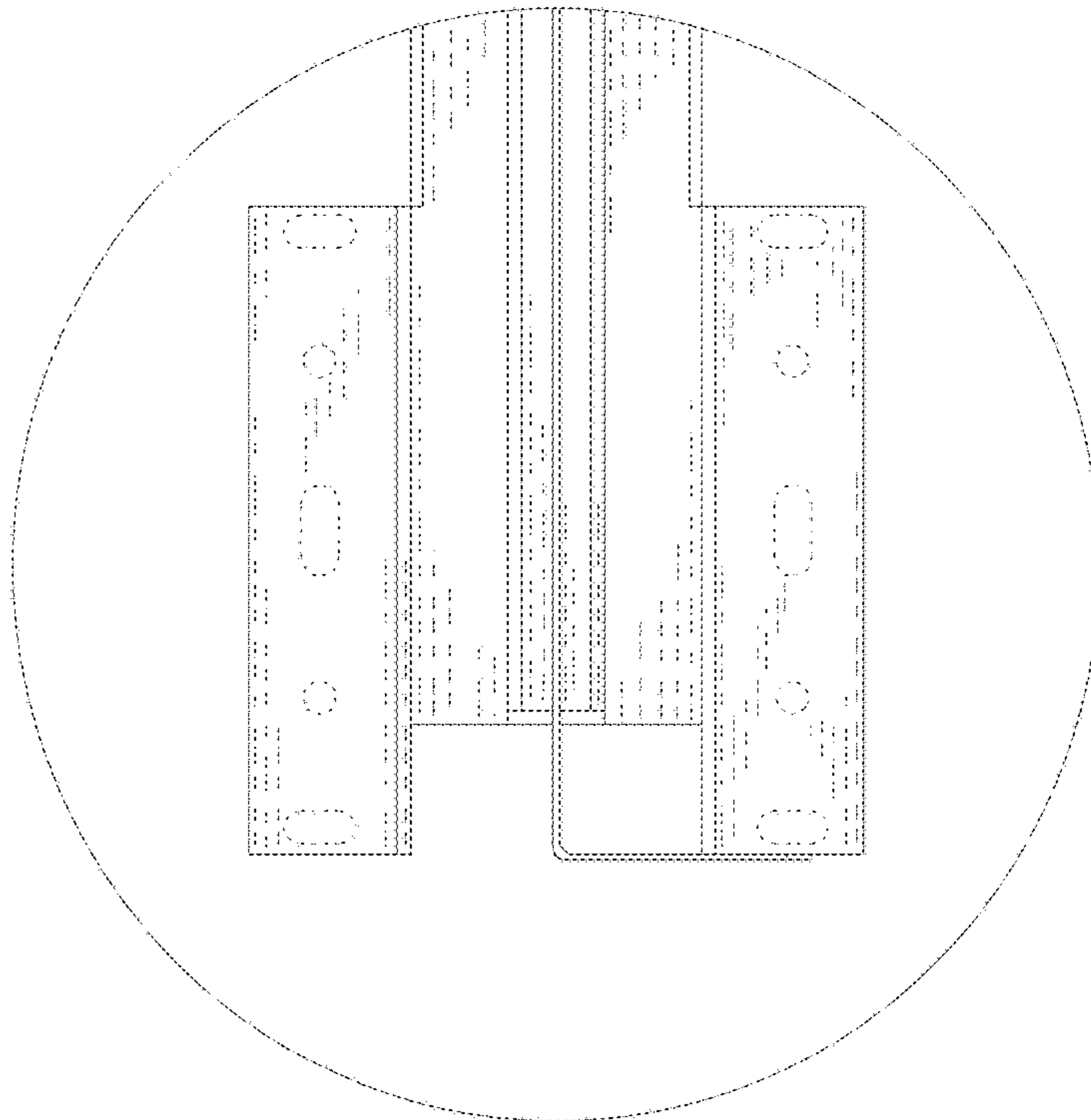


FIG. 19

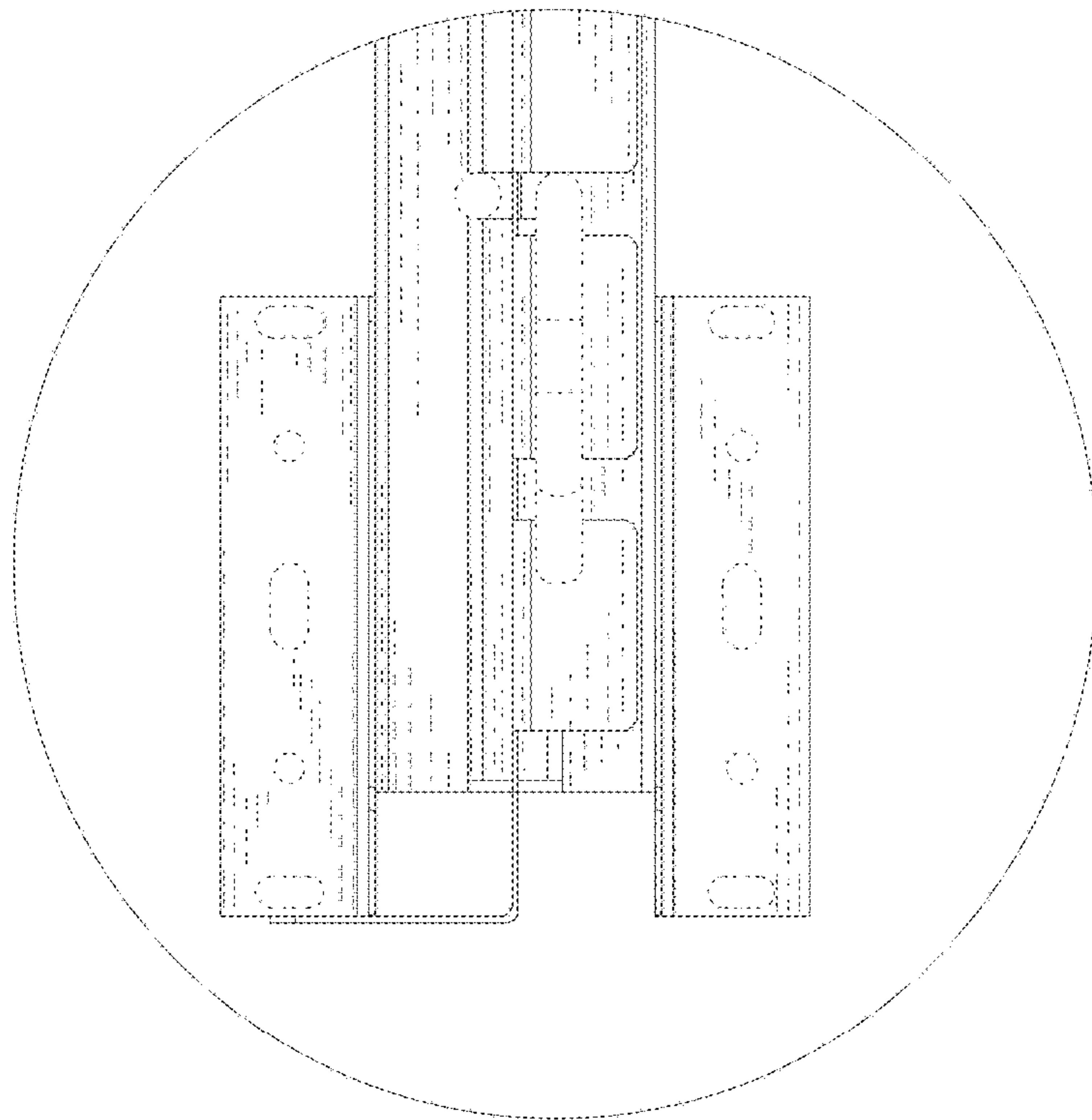


FIG. 20

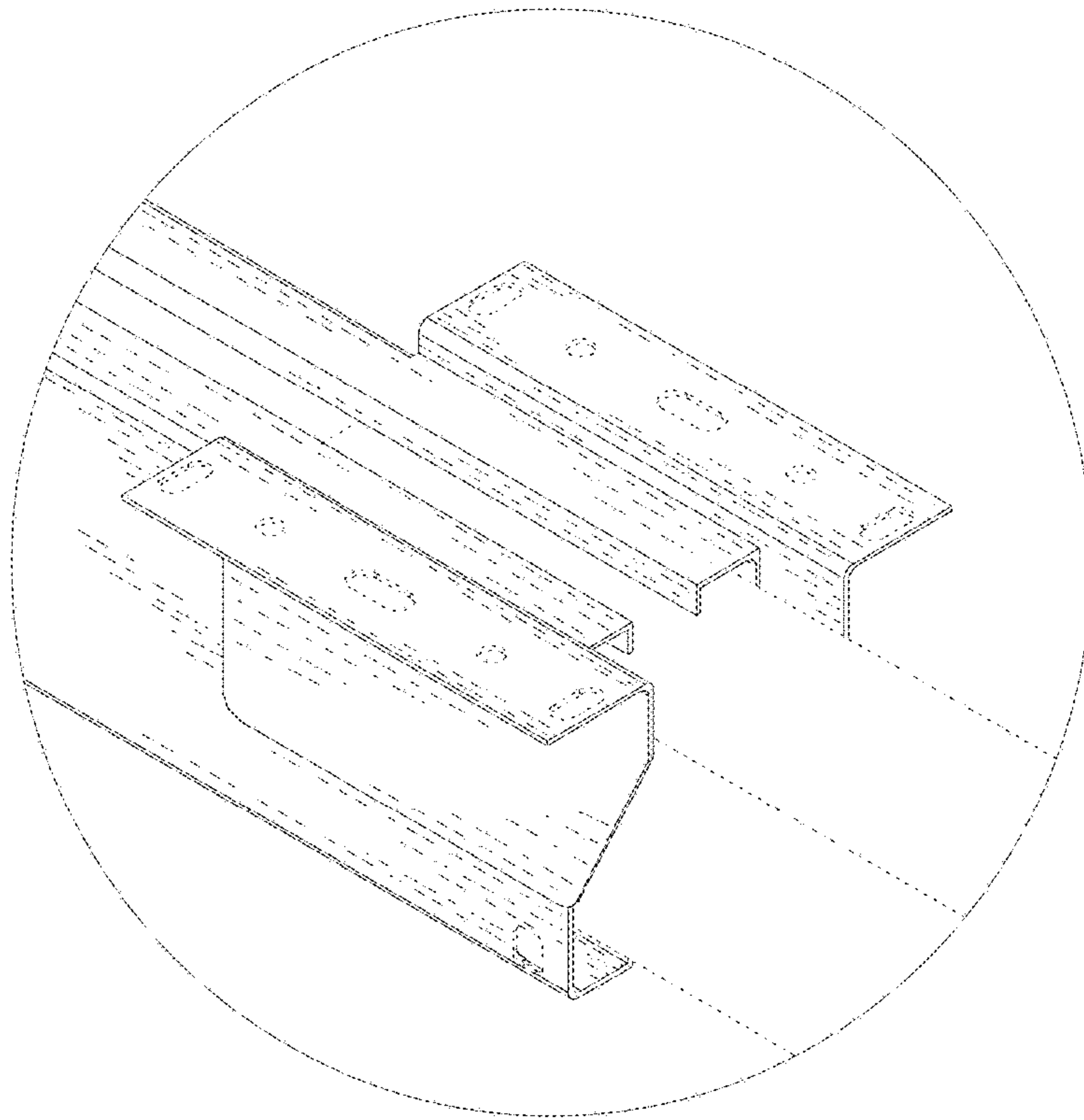


FIG. 21

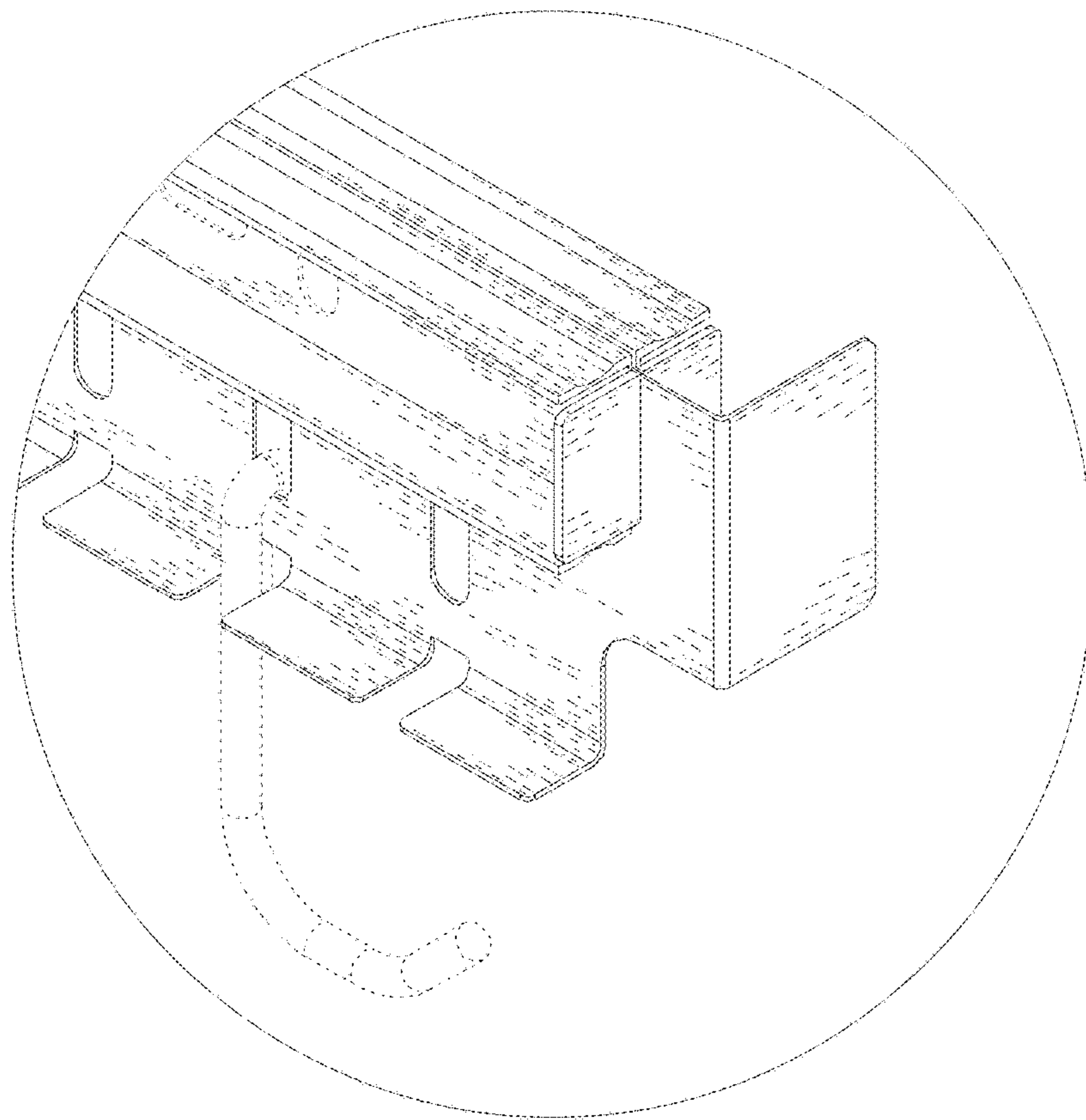


FIG. 22

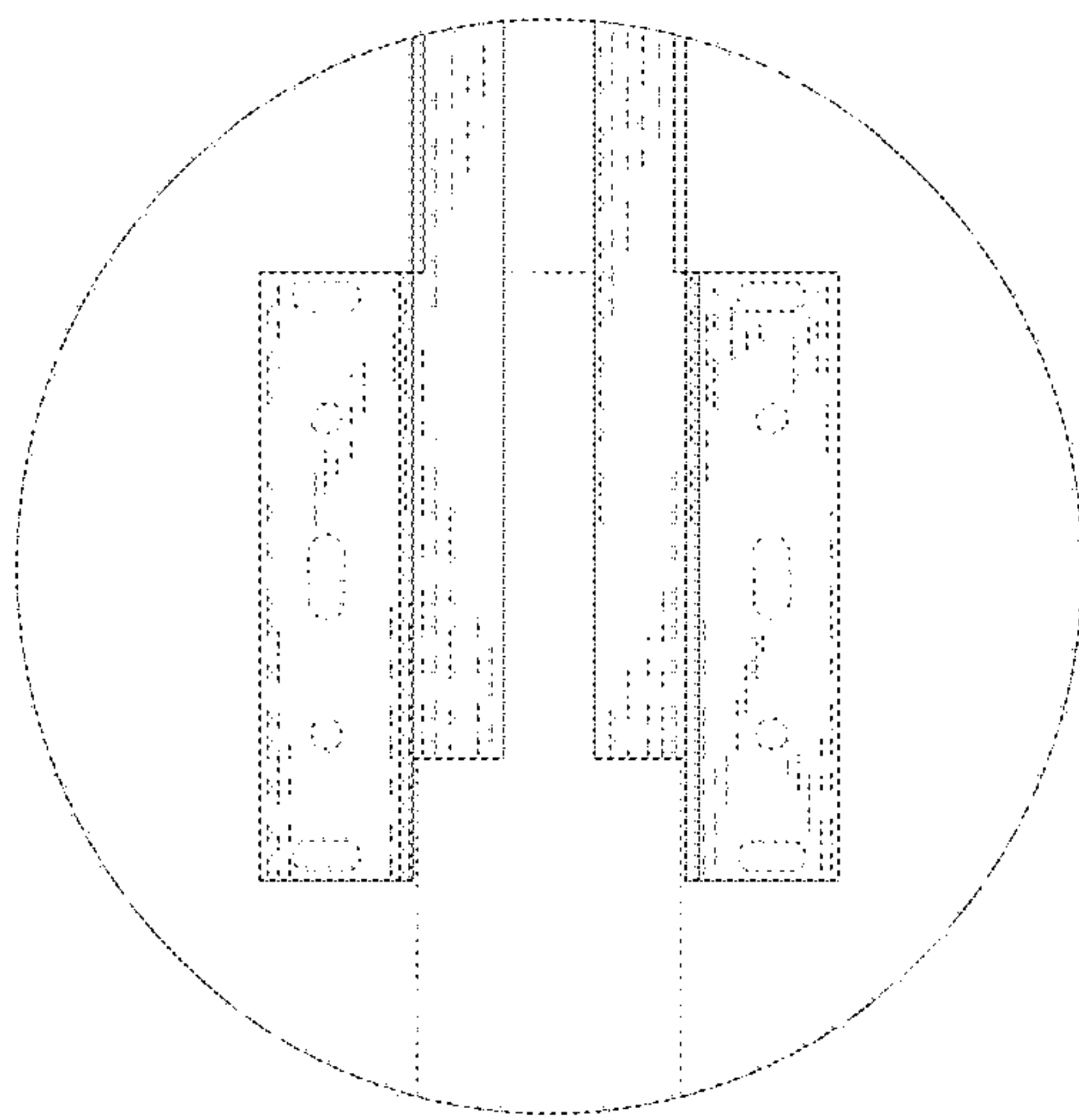


FIG. 23