

US00D842008S

(12) **United States Design Patent** (10) **Patent No.:** **US D842,008 S**  
**Desodt et al.** (45) **Date of Patent:** **\*\* Mar. 5, 2019**

(54) **MATTRESS COVER**

FOREIGN PATENT DOCUMENTS

(71) Applicant: **Sealy Technology, LLC**, Trinity, NC (US)

AU 201710522 3/2017  
AU 201711596 4/2017

(Continued)

(72) Inventors: **Hortense Desodt**, San Francisco, CA (US); **Fabian Herrmann**, Tiburon, CA (US); **Martin John Kay**, San Francisco, CA (US); **Sona Serena Von Hunke**, Winston-Salem, NC (US)

OTHER PUBLICATIONS

Stearns & Foster Reserve No. 2 , earliest review dated: May 8, 2017 [online]. [site visited Mar. 29, 2018]. Available from Internet, <URL :<http://www.houstondiscountmattresses.com/stearns-foster-estate-basic.html>> (Year: 2017).\*

(Continued)

(73) Assignee: **Sealy Technology, LLC**, Trinity, NC (US)

*Primary Examiner* — Michelle E. Wilson

*Assistant Examiner* — Sanjeev Paul

(\*\*) Term: **15 Years**

(74) *Attorney, Agent, or Firm* — Middleton Reutlinger

(21) Appl. No.: **29/622,651**

(57) **CLAIM**

(22) Filed: **Oct. 18, 2017**

The ornamental design for a mattress cover, as shown and described.

**DESCRIPTION**

**Related U.S. Application Data**

(62) Division of application No. 29/572,806, filed on Jul. 29, 2016, now Pat. No. Des. 804,859.

FIG. 1 is a front elevational view of the mattress cover of the present invention;

(51) **LOC (11) Cl.** ..... **06-99**

FIG. 2 is a rear elevational view of the mattress cover of FIG. 1;

(52) **U.S. Cl.**

USPC ..... **D6/606**

FIG. 3 is a left side elevational view of the mattress cover of FIG. 1;

(58) **Field of Classification Search**

USPC ..... D6/333, 349, 355, 375, 388, 512, 563, D6/564, 595, 596, 601, 604, 611, 707,

FIG. 4 is a right side elevational view of the mattress cover of FIG. 1;

(Continued)

FIG. 5 is a top view of the mattress cover of FIG. 1;

(56) **References Cited**

**U.S. PATENT DOCUMENTS**

D38,427 S \* 1/1907 Pronberger ..... D5/38  
D202,091 S \* 8/1965 Broderick ..... D5/38

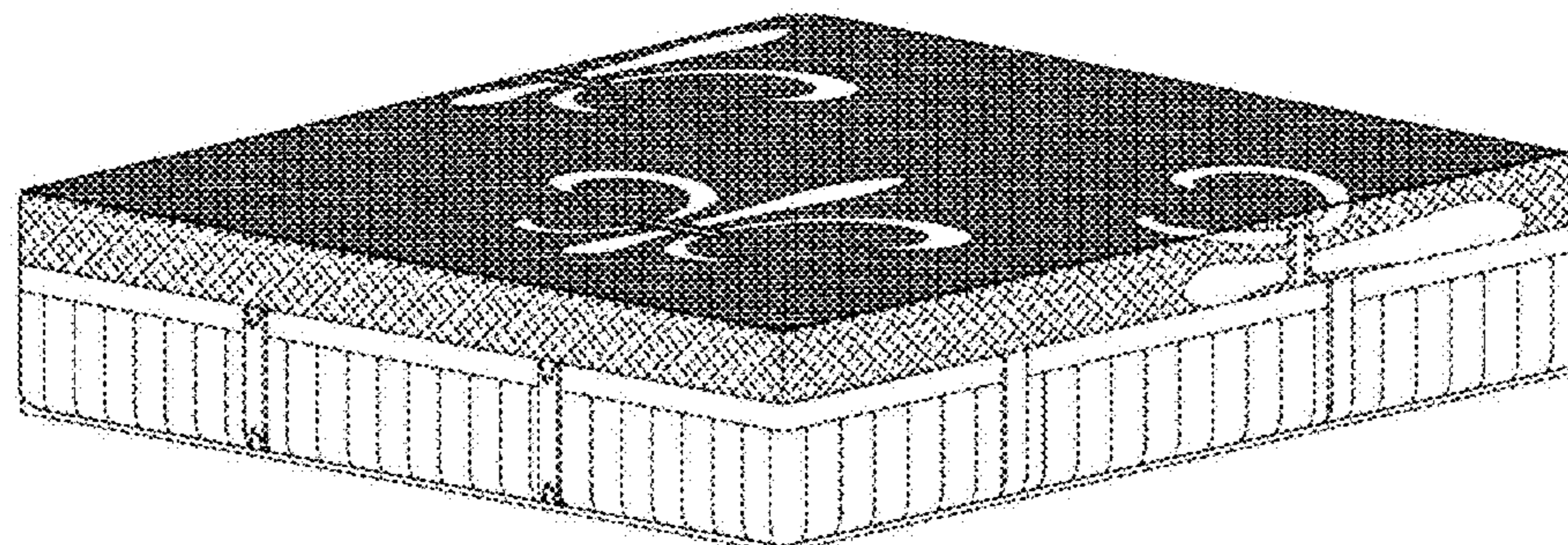
FIG. 6 is a bottom view of the mattress cover of FIG. 1; and,

(Continued)

FIG. 7 is a perspective view of the mattress cover of FIG. 1. The broken lines shown in the drawings are included for purpose of illustrating unclaimed portions of the mattress cover and form no part of the claimed design.

The dot-dash broken line of FIG. 7 represents a boundary line clarifying between the claimed and unclaimed subject matter.

**1 Claim, 5 Drawing Sheets**







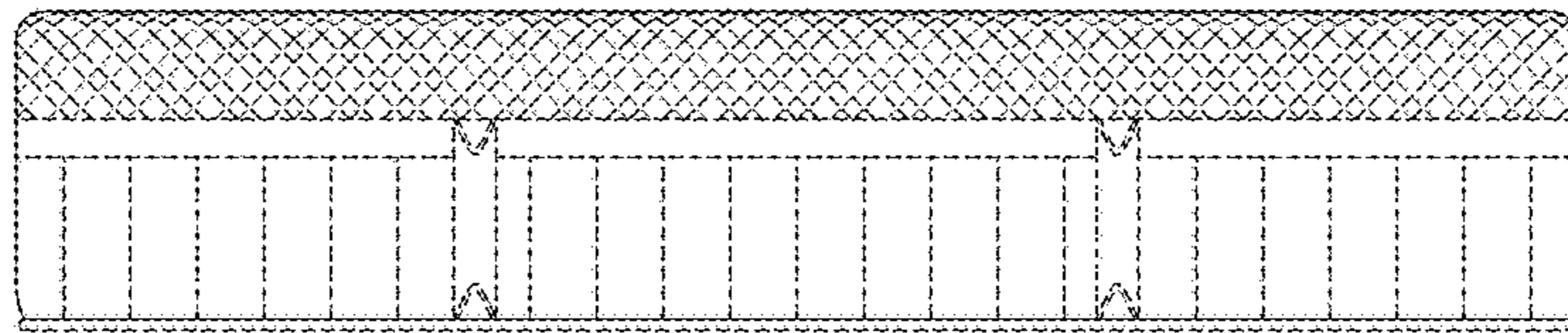


FIG. 1

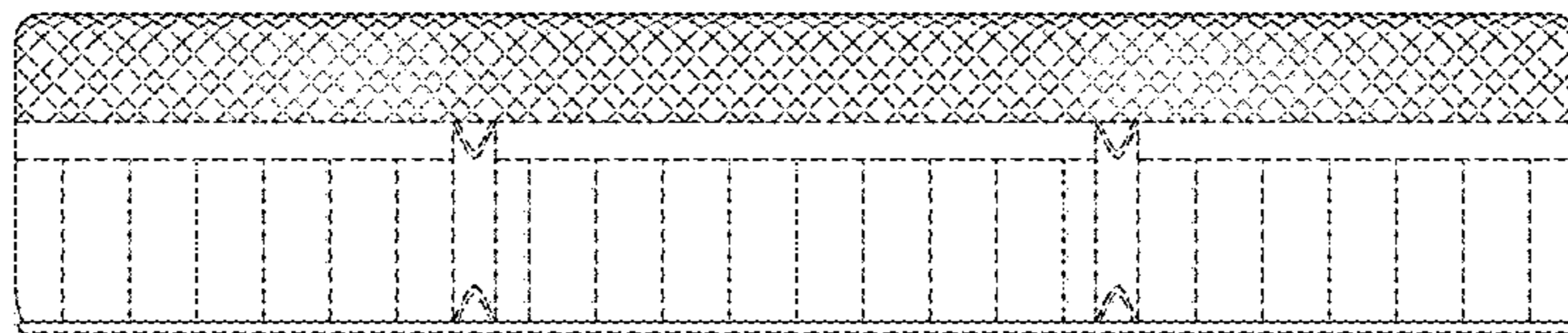


FIG. 2

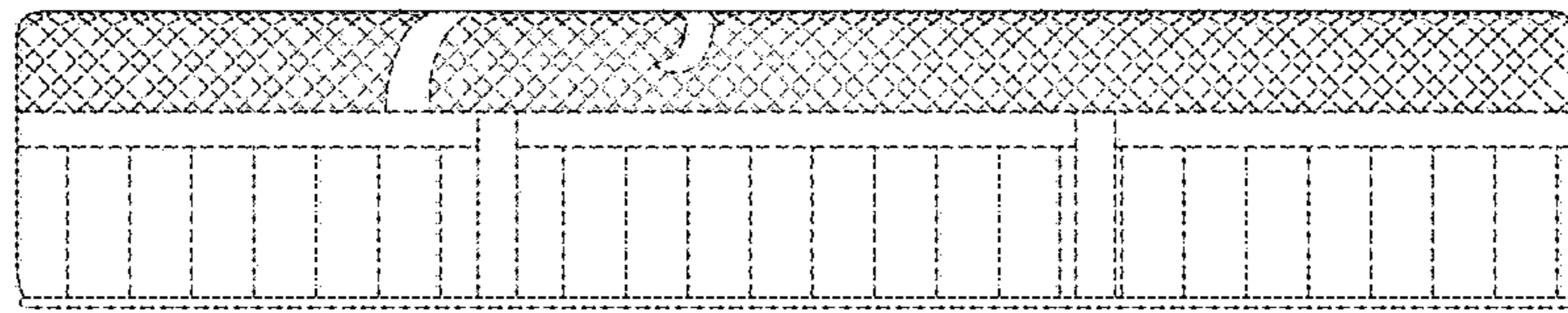


FIG. 3

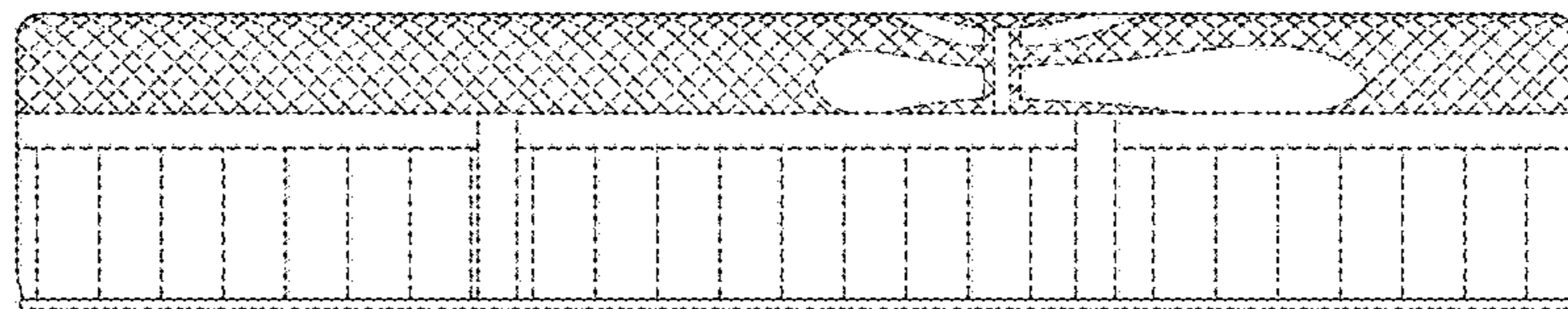


FIG. 4



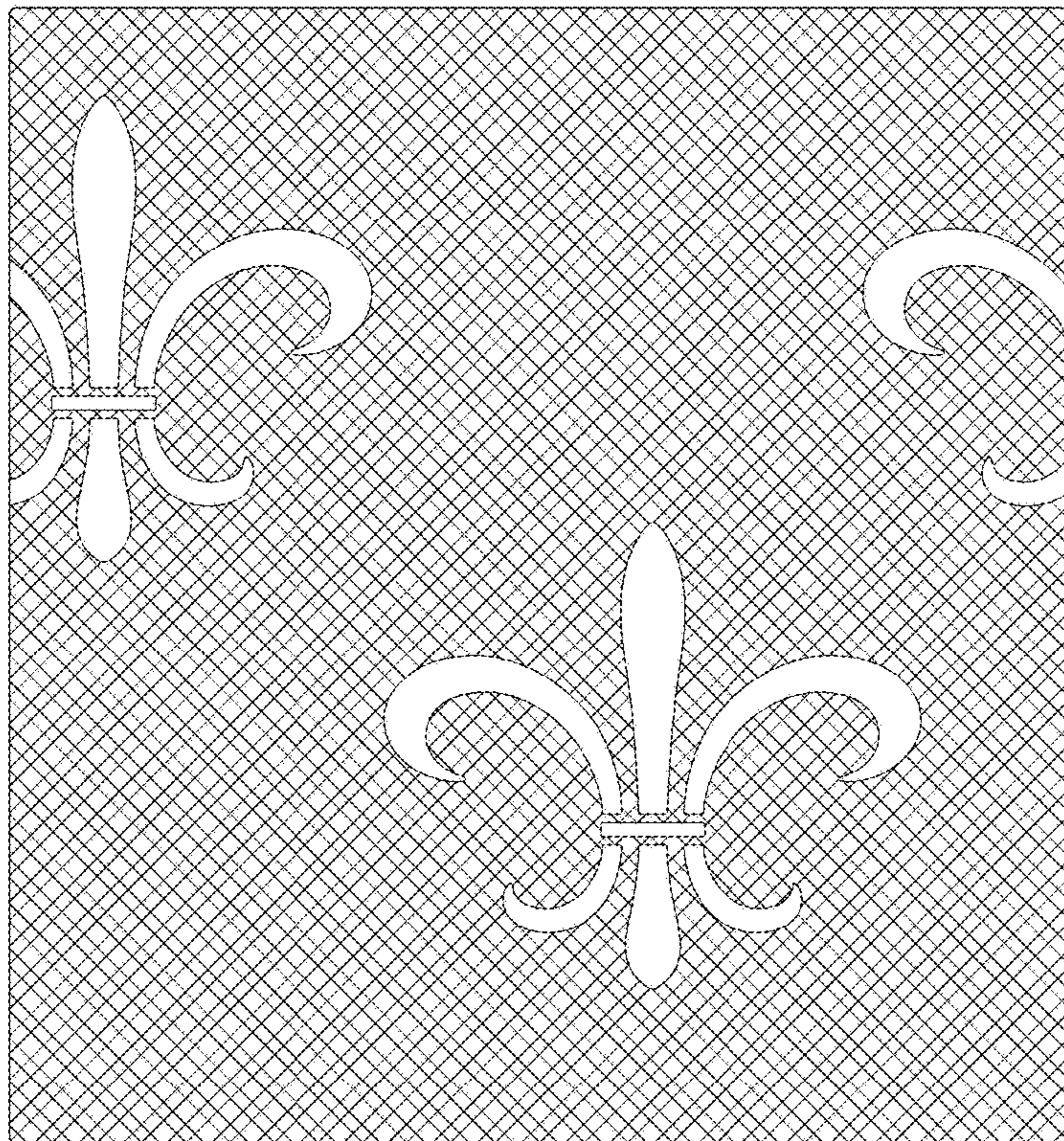


FIG. 5



FIG. 6



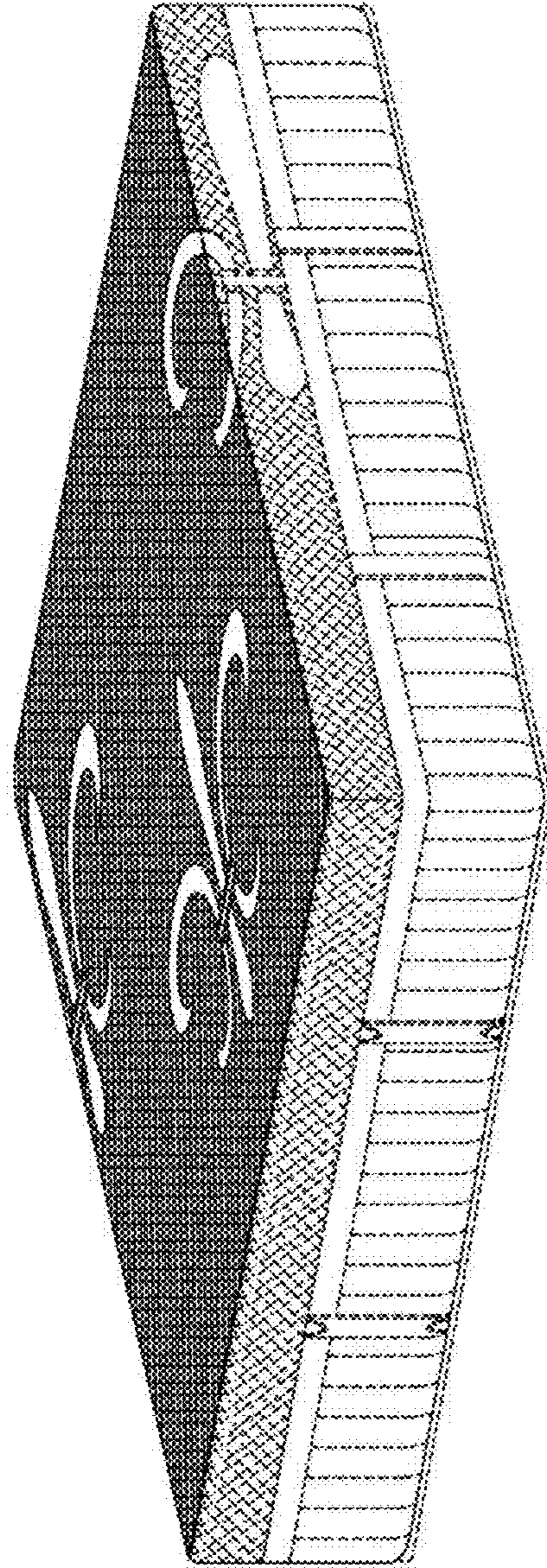


FIG. 7